



US00D620178S

(12) **United States Design Patent**
Sabernig

(10) **Patent No.:** **US D620,178 S**

(45) **Date of Patent:** **** Jul. 20, 2010**

(54) **LIGHT FIXTURE**

(75) Inventor: **Robert Sabernig**, Munster (AT)

(73) Assignee: **EGLO Leuchten GmbH**, Innsbruck (AT)

(**) Term: **14 Years**

(21) Appl. No.: **29/354,782**

(22) Filed: **Jan. 28, 2010**

(51) **LOC (9) Cl.** **26-03**

(52) **U.S. Cl.** **D26/84; D26/90**

(58) **Field of Classification Search** D26/84-86,
D26/88-91, 118, 137; 362/147, 404-408,
362/431, 432

See application file for complete search history.

(56) **References Cited**

U.S. PATENT DOCUMENTS

| | | | | |
|--------------|---------|-------------|-------|---------|
| D39,143 S * | 2/1908 | Ryan et al. | | D26/88 |
| D50,193 S * | 1/1917 | Guth | | D26/84 |
| D134,482 S * | 12/1942 | Ganger | | D26/81 |
| D314,059 S * | 1/1991 | O'Neil | | D26/73 |
| D320,465 S * | 10/1991 | Sonneman | | D26/86 |
| D416,643 S * | 11/1999 | Benghozi | | D26/86 |
| D468,474 S * | 1/2003 | Poulton | | D26/90 |
| D493,560 S * | 7/2004 | Parres | | D26/84 |
| D536,479 S * | 2/2007 | Rugee | | D26/137 |
| D589,640 S * | 3/2009 | Janssen | | D26/90 |
| D604,886 S * | 11/2009 | Rugee | | D26/81 |

OTHER PUBLICATIONS

“Waffle” Pendant #E20019-44 on p. 11; and “Nucleus” Pendant #E20056-10 on p. 45 of the ET2 Lighting 2007 Catalog. (2 pages).*

“Ripple” Chandelier from jGoodDesign online brochure created May 8, 2009.(1 page).*

Sonneman-Handkerchief Large Pendant #100894 from modernlightinguniverse.com, visited on Jun. 16, 2009. (2 pages).*

“Orvino” BathBar #19410-012 shown on p. 128 of the Eurofase Illuminations 2010 online catalog. (1 page).*

* cited by examiner

Primary Examiner—Clare E Heflin

(74) *Attorney, Agent, or Firm*—Baker & McKenzie LLP

(57) **CLAIM**

The ornamental design for a light fixture, as shown and described.

DESCRIPTION

FIG. 1 is a perspective view of a light fixture in accordance with my design;

FIG. 2 is front elevation view of the light fixture in accordance with my design, the opposite view being a mirror image of that shown;

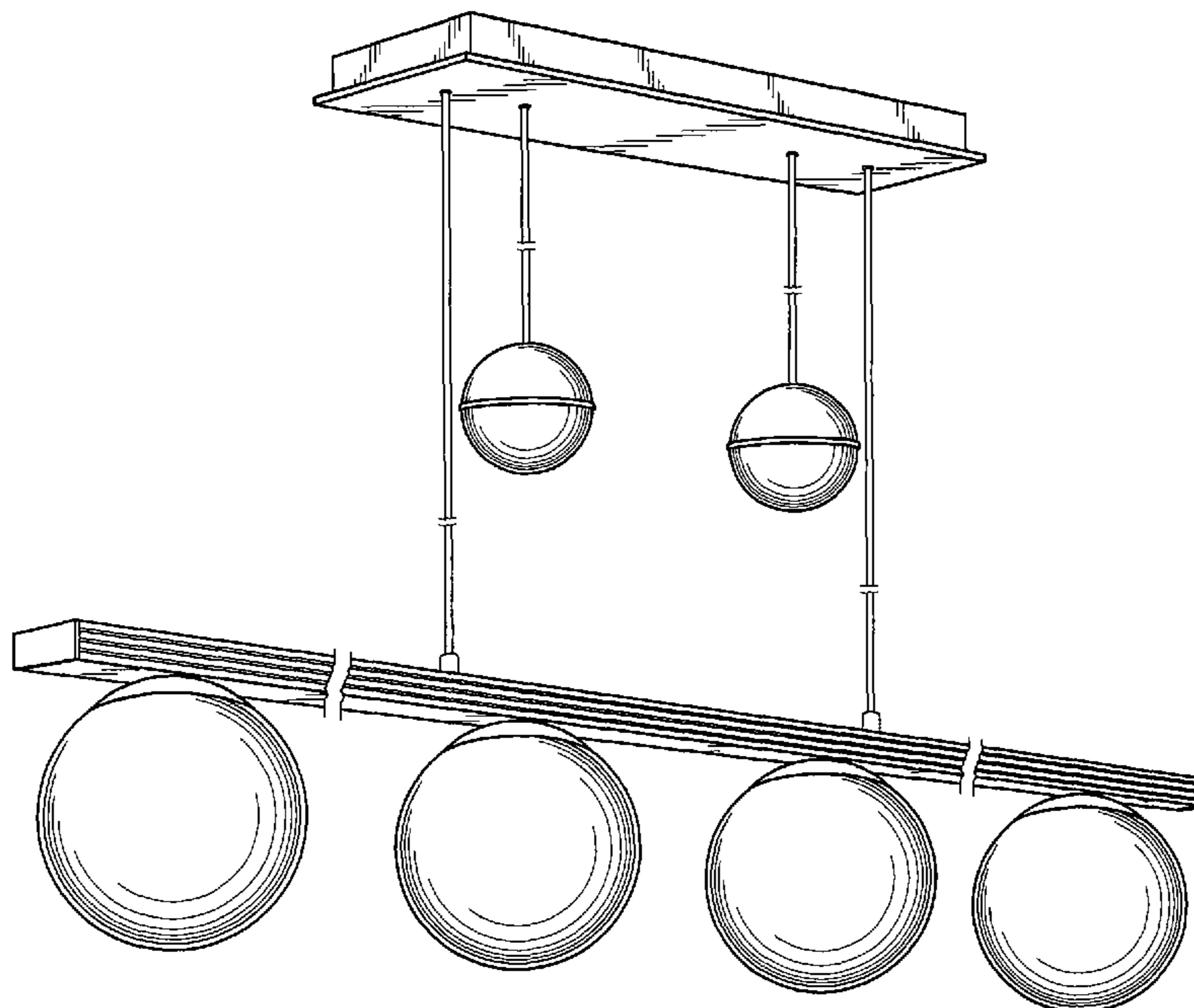
FIG. 3 is a bottom plan view of the light fixture in accordance with my design;

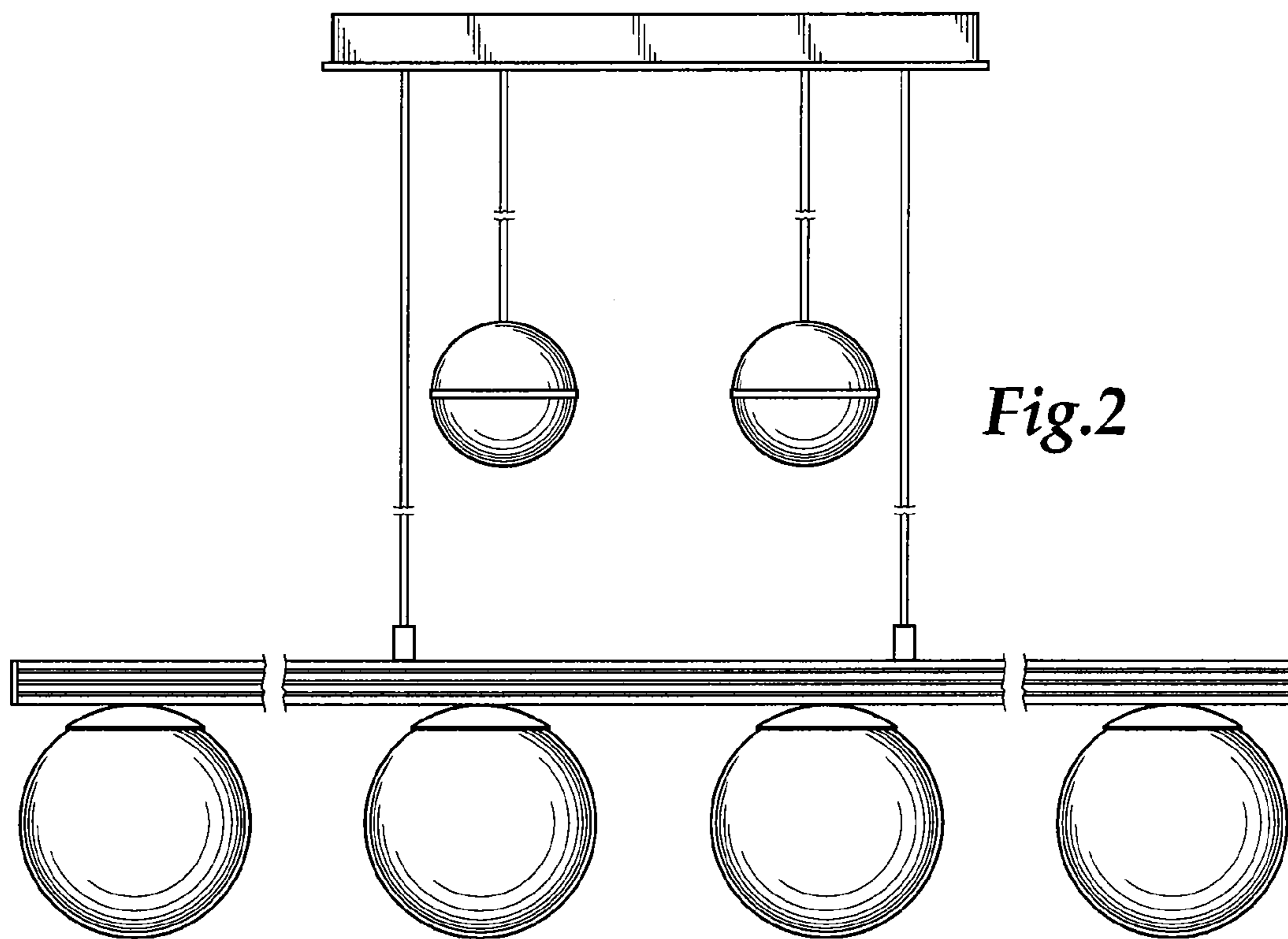
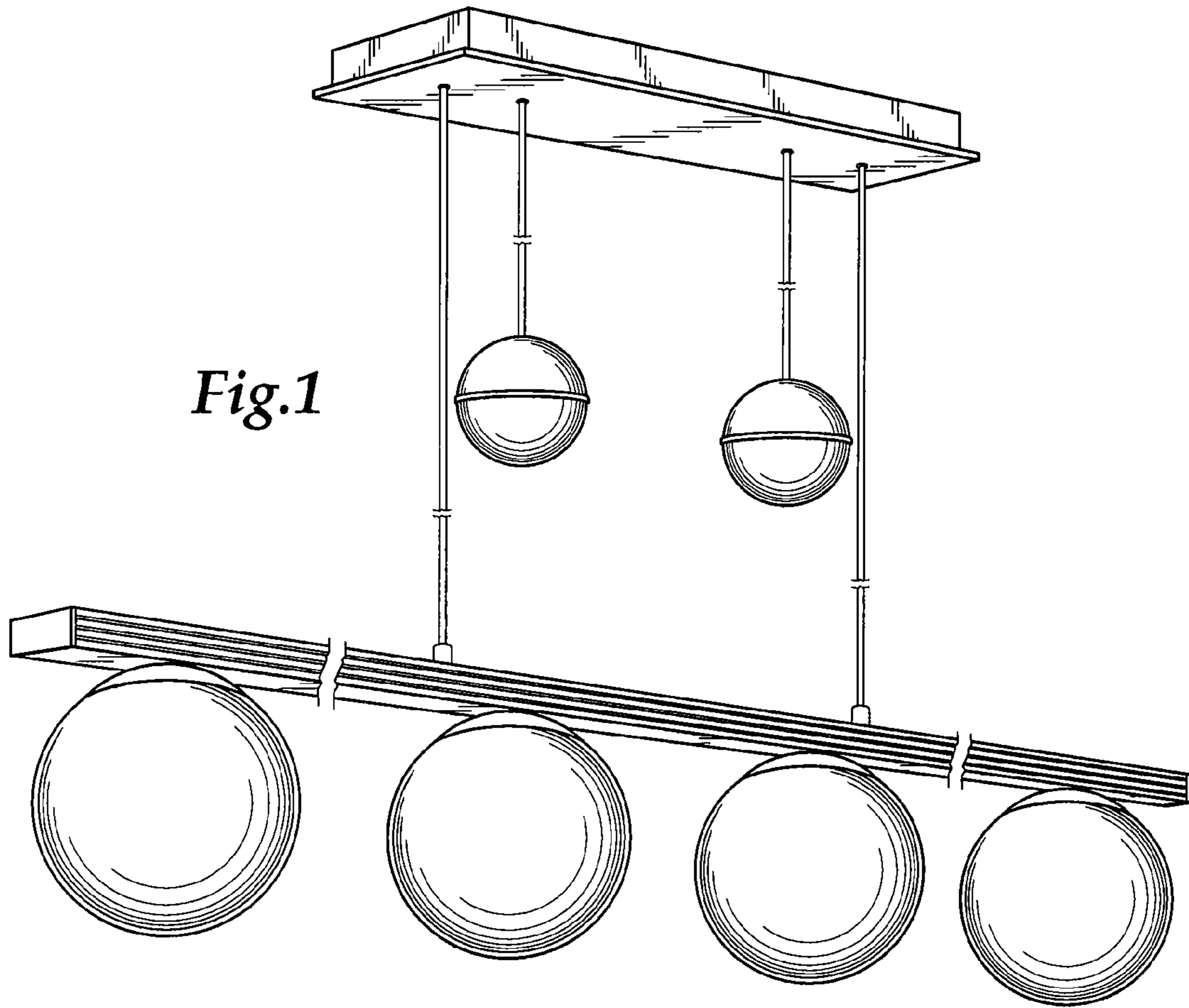
FIG. 4 is a top plan view of the light fixture in accordance with my design; and,

FIG. 5 is a side elevation view of the light fixture in accordance with my design, the opposite view being a mirror image of that shown.

The portions of the light fixture shown broken away in FIGS. 1-5 are to depict indeterminate length.

1 Claim, 2 Drawing Sheets





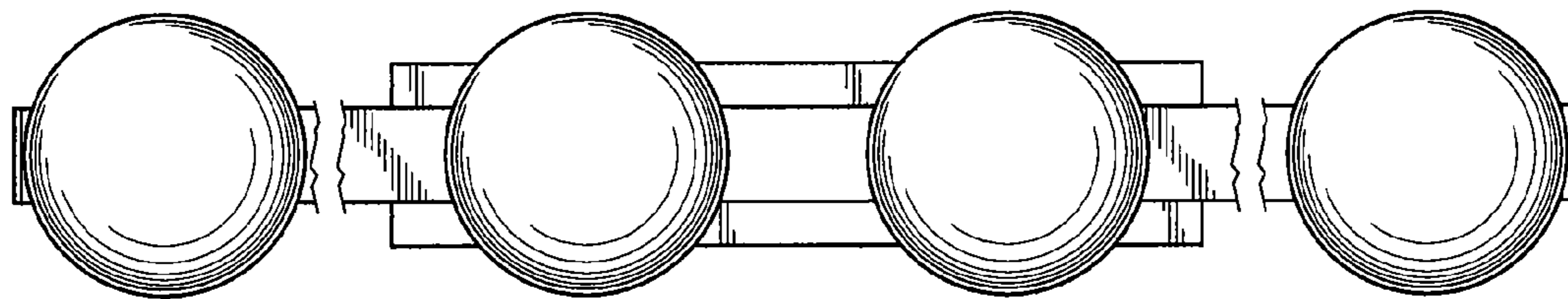


Fig.3

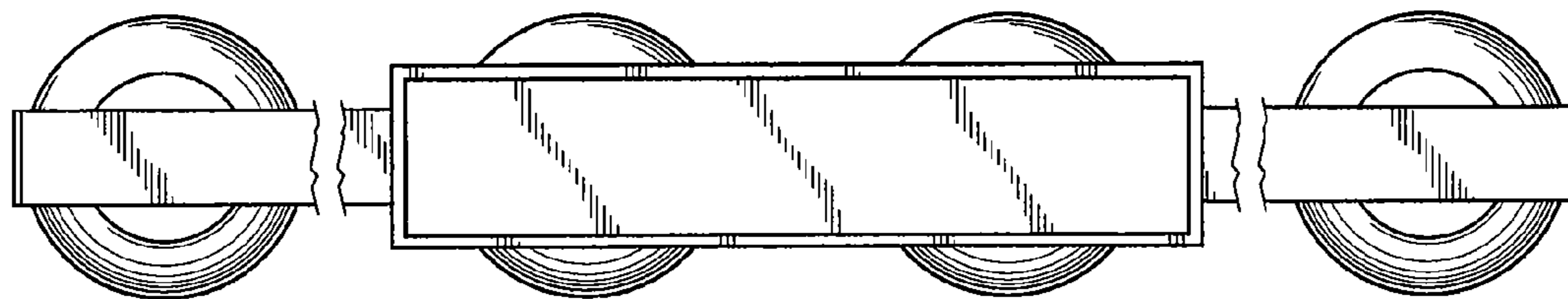


Fig.4

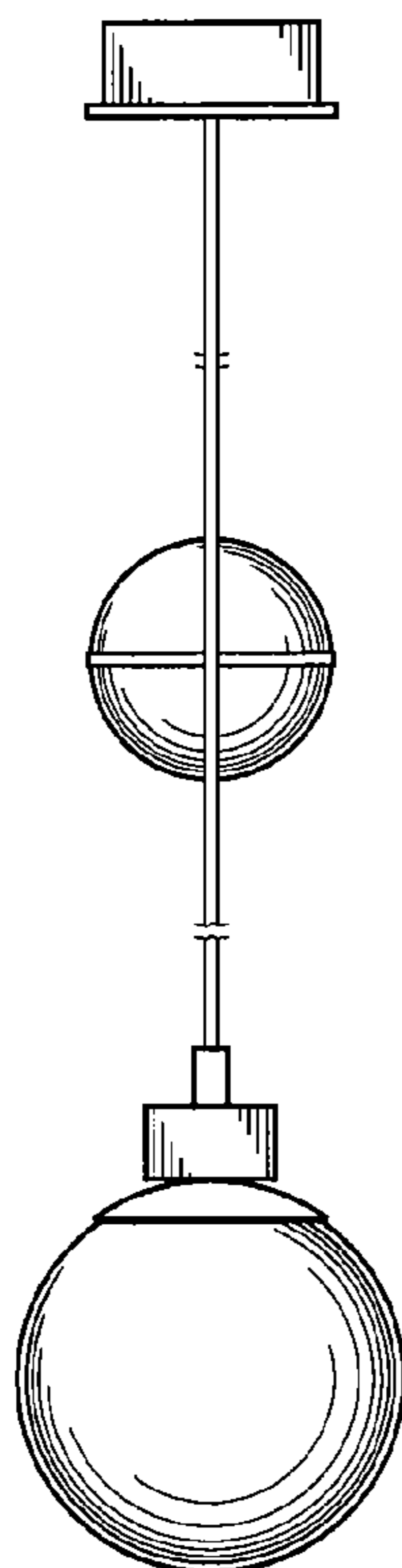


Fig.5