



US00D620177S

(12) **United States Design Patent**
Sabernig

(10) **Patent No.:** **US D620,177 S**
(45) **Date of Patent:** **** Jul. 20, 2010**

(54) **LIGHT FIXTURE**

(75) Inventor: **Robert Sabernig**, Munster (AT)

(73) Assignee: **EGLO Leuchten GmbH**, Innsbruck (AT)

(**) Term: **14 Years**

(21) Appl. No.: **29/354,662**

(22) Filed: **Jan. 27, 2010**

(51) **LOC (9) Cl.** **26-03**

(52) **U.S. Cl.** **D26/84; D26/90**

(58) **Field of Classification Search** D26/84–86,
D26/88–91, 118, 128, 137; 362/147, 404–408,
362/431, 432

See application file for complete search history.

(56) **References Cited**

U.S. PATENT DOCUMENTS

| | | | | |
|----------------|---------|---------------|-------|---------|
| D40,284 S * | 10/1909 | Sanford | | D26/128 |
| D51,983 S * | 4/1918 | Guth | | D26/88 |
| 2,197,946 A * | 4/1940 | Simpson | | 362/640 |
| D285,977 S * | 9/1986 | De Pas et al. | | D26/90 |
| D320,465 S * | 10/1991 | Sonneman | | D26/86 |
| D324,433 S * | 3/1992 | Camino et al. | | D26/67 |
| D416,643 S * | 11/1999 | Benghozi | | D26/86 |
| D426,342 S * | 6/2000 | Hoffbauer | | D26/128 |
| D456,550 S * | 4/2002 | Clodagh | | D26/85 |
| 6,837,597 B1 * | 1/2005 | Lin et al. | | 362/352 |
| D562,493 S * | 2/2008 | Chen | | D26/88 |
| D571,948 S * | 6/2008 | Chen | | D26/118 |

OTHER PUBLICATIONS

“Waffle” Pendant #E20019-44 on p. 11; and “Waffle” pendant #E20016-44 on p. 12 of the ET2 Lighting 2007 Catalog. (2 pages).*

“Ovo” Single Pendant #PS1301-10 on p. 6; “Ovo” Three-Light Chandelier #PS1310-15 on p. 7; and “Forma Piccolo” Oval Pendant #PS9535-30 on p. 12 all from the Alico Industries Catalog © 2008 (4 pages).*

* cited by examiner

Primary Examiner—Clare E Heflin

(74) *Attorney, Agent, or Firm*—Baker & McKenzie LLP

(57) **CLAIM**

The ornamental design for a light fixture, as shown and described.

DESCRIPTION

FIG. 1 is a perspective view of a light fixture in accordance with my design;

FIG. 2 is a front elevation view of the light fixture in accordance with my design, the opposite view being a mirror image of that shown;

FIG. 3 is a top plan view of the light fixture in accordance with my design taken along the lines 3—3 of FIG. 2;

FIG. 4 is a bottom plan view of the light fixture in accordance with my design;

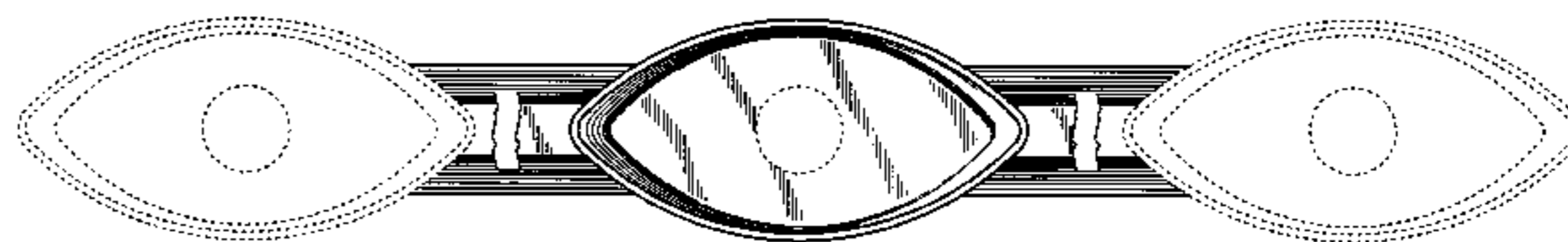
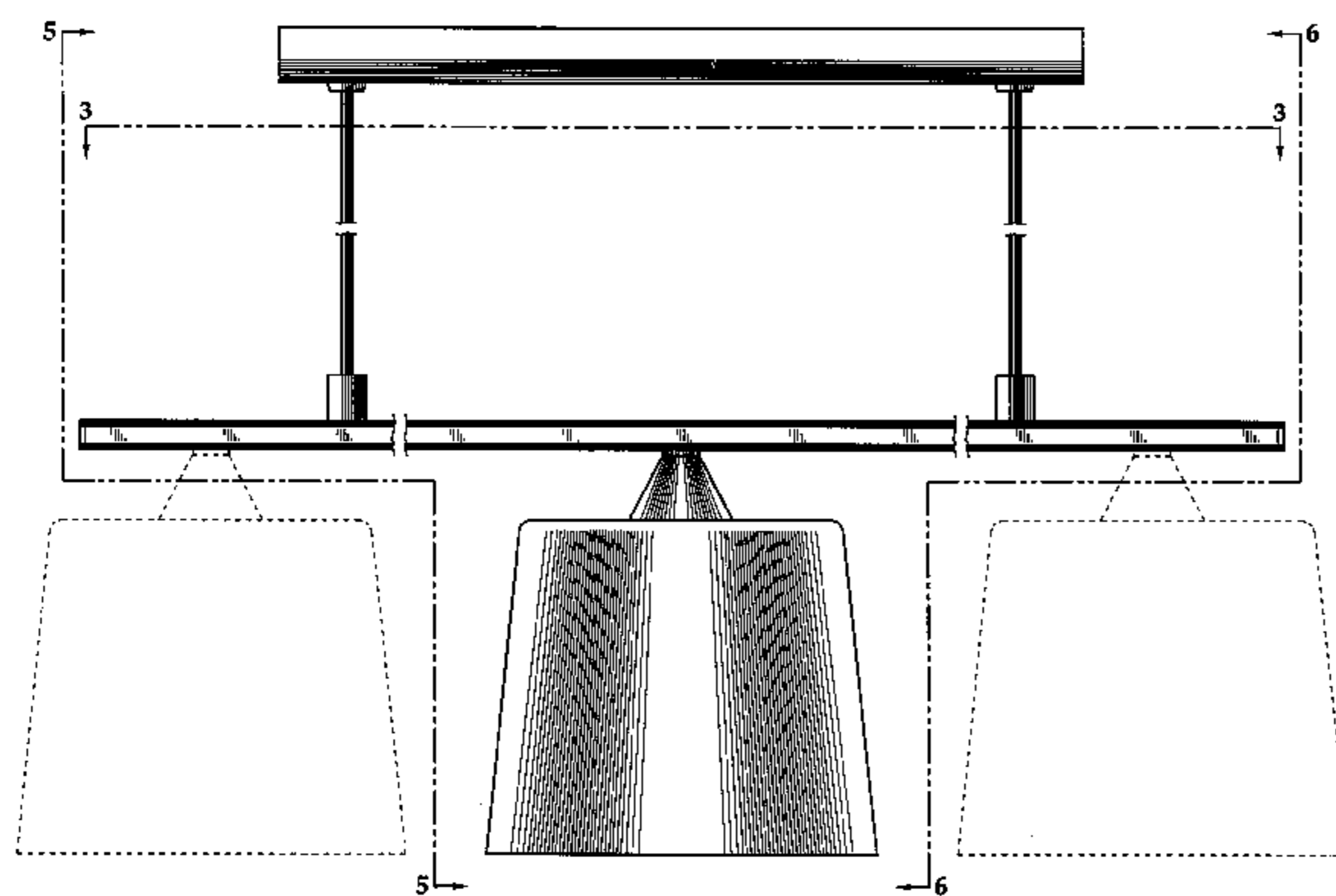
FIG. 5 is a side elevation view of the light fixture in accordance with my design taken along the lines 5—5 of FIG. 2; and,

FIG. 6 is an opposite side elevation view of the light fixture in accordance with my design taken along the lines 6—6 of FIG. 2.

The broken-line disclosure of elements is understood to represent portions of the article in which the design is embodied, but which form no part of the claimed design.

The portions of the light fixture shown broken away in FIGS. 1-6 are to depict indeterminate length.

1 Claim, 4 Drawing Sheets



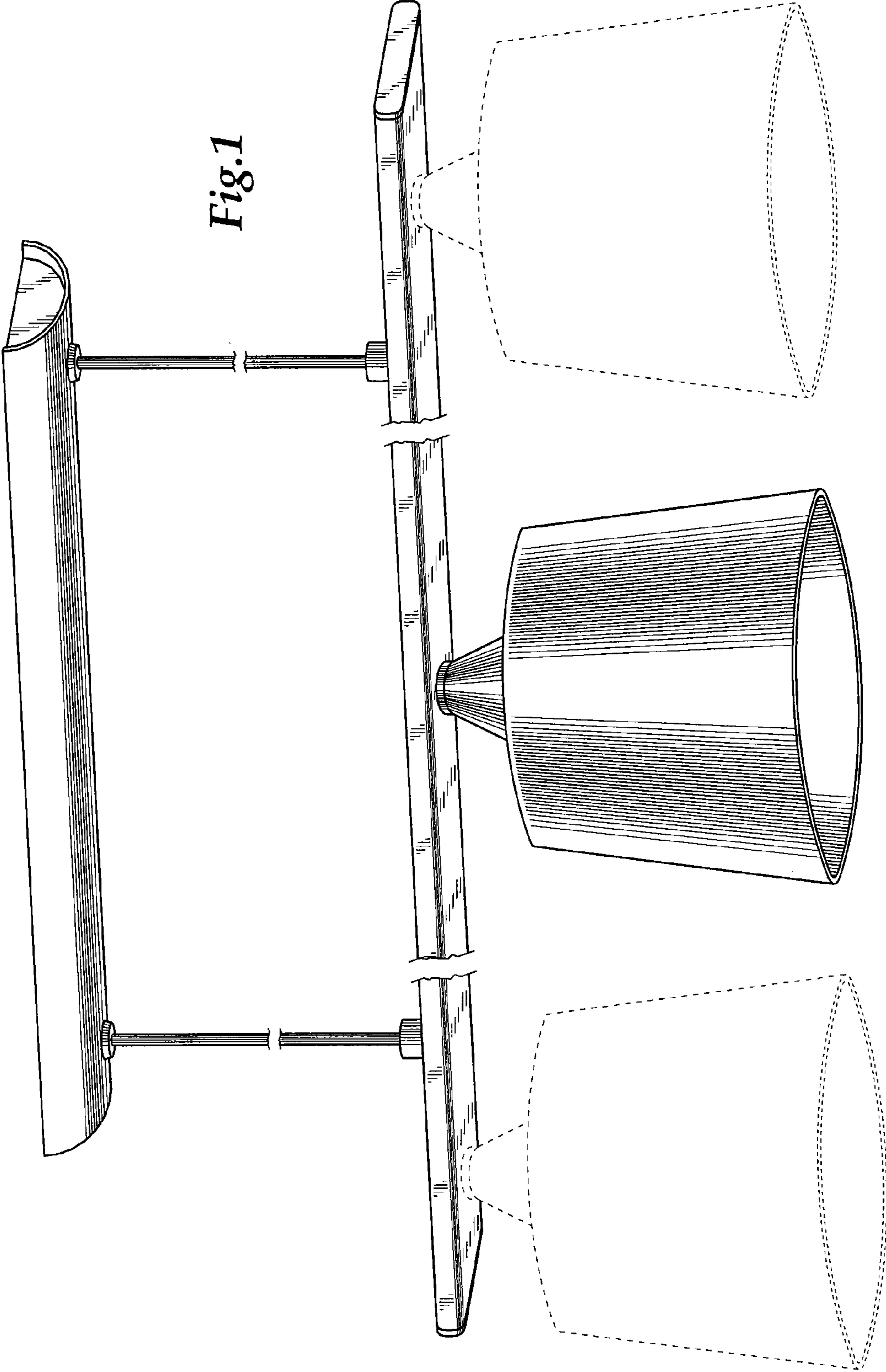


Fig. 1

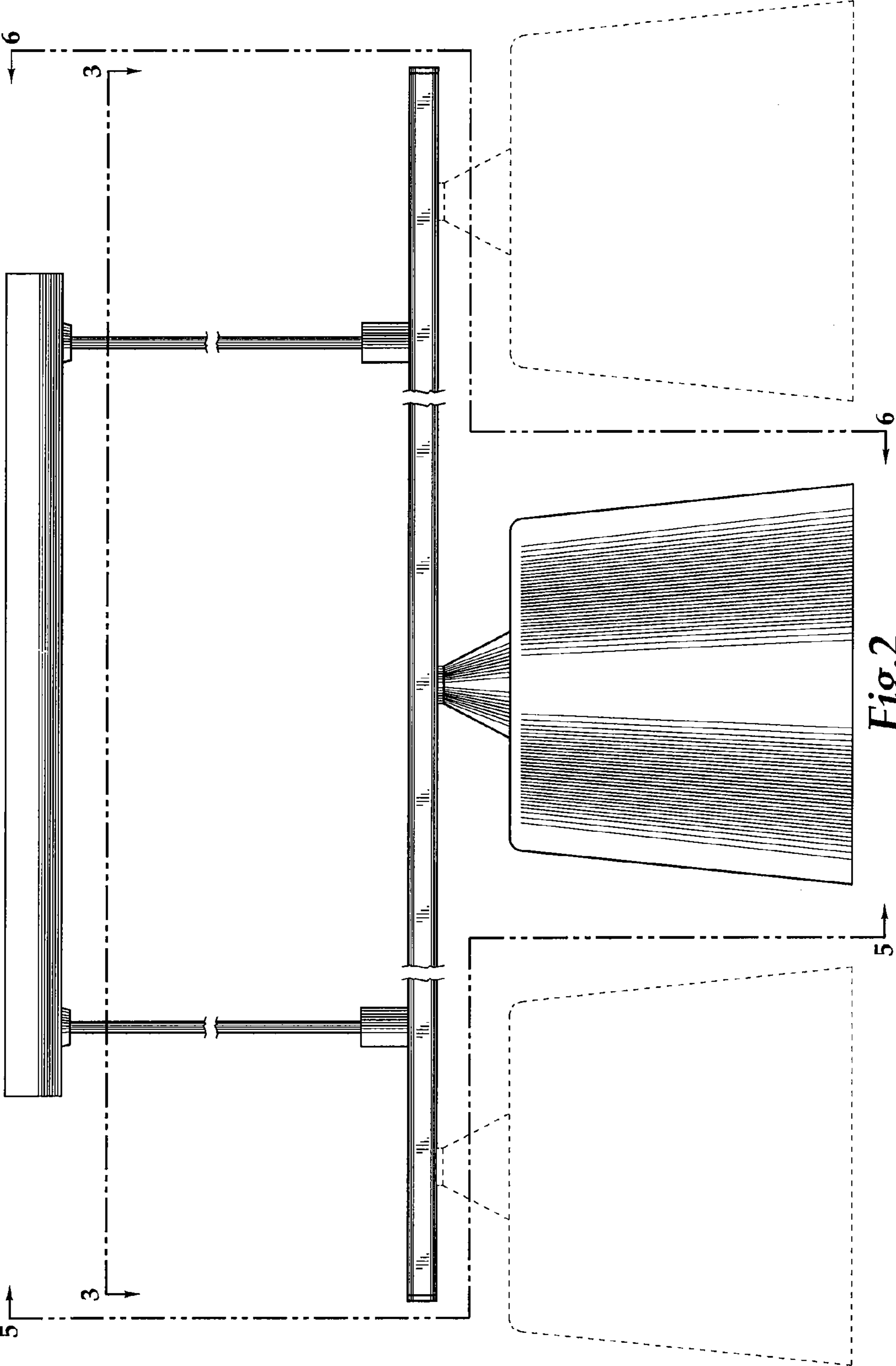


Fig. 2

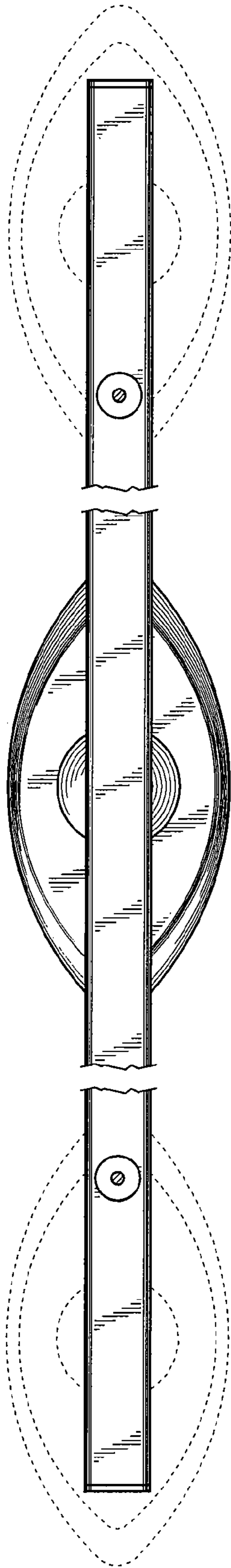


Fig.3

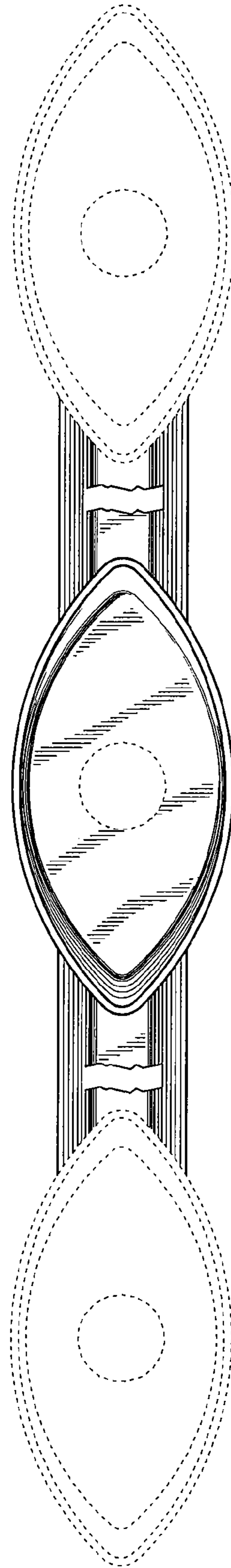


Fig.4

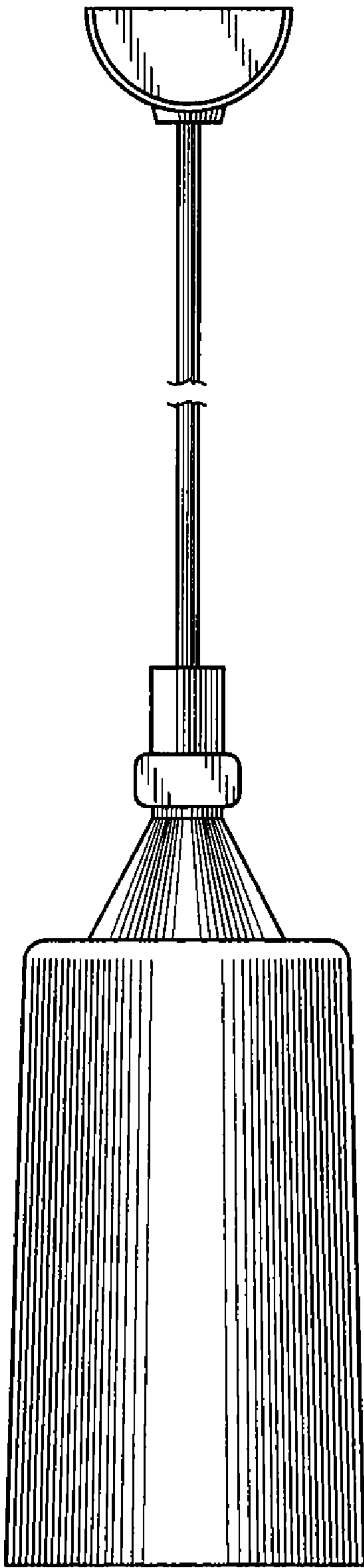


Fig. 5

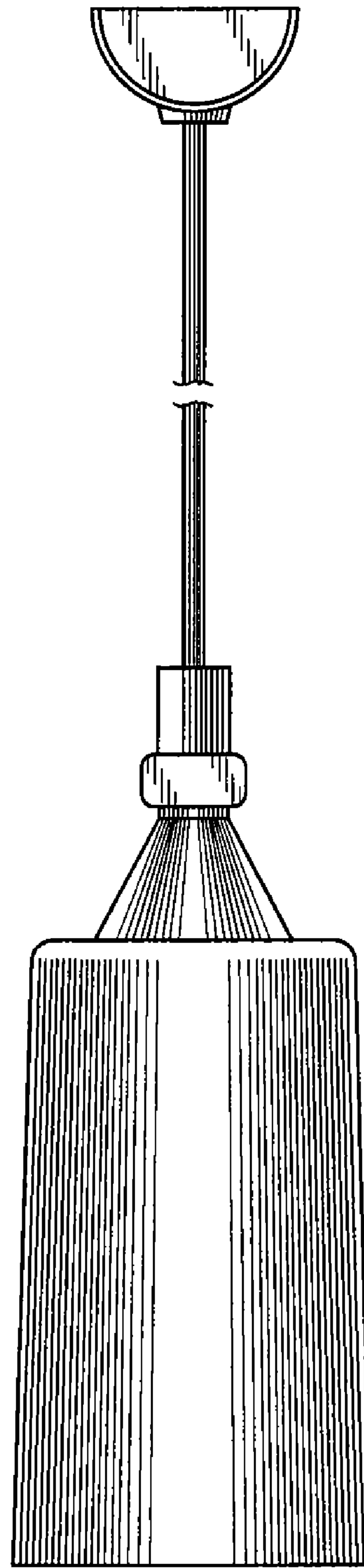


Fig. 6