



US00D620176S

(12) **United States Design Patent**  
**Sabernig**

(10) **Patent No.:** **US D620,176 S**

(45) **Date of Patent:** **\*\* Jul. 20, 2010**

(54) **LIGHT FIXTURE**

(75) Inventor: **Robert Sabernig**, Munster (AT)

(73) Assignee: **EGLO Leuchten GmbH**, Innsbruck (AT)

(\*\*) Term: **14 Years**

(21) Appl. No.: **29/354,678**

(22) Filed: **Jan. 27, 2010**

(51) **LOC (9) Cl.** ..... **26-03**

(52) **U.S. Cl.** ..... **D26/83; D26/143**

(58) **Field of Classification Search** ..... D26/84–86,  
D26/88–91, 118, 137, 142, 143; 362/147,  
362/404–408, 431, 432

See application file for complete search history.

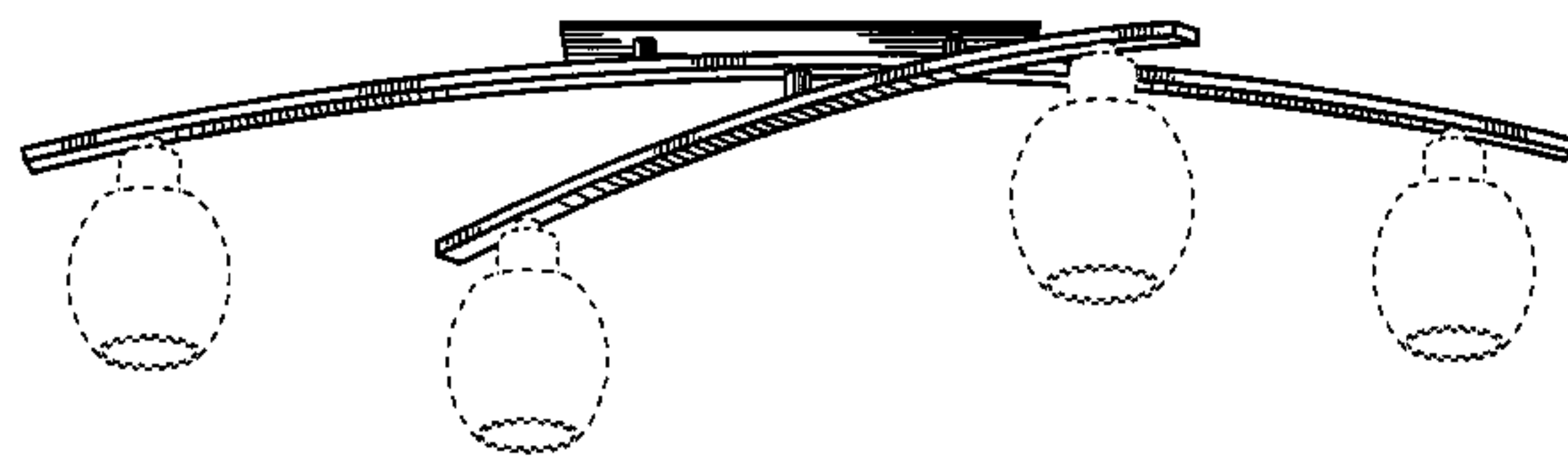
(56) **References Cited**

**U.S. PATENT DOCUMENTS**

D134,482 S *	12/1942	Ganger .....	D26/81
D168,738 S *	2/1953	Friedman .....	D26/84
D172,688 S *	7/1954	Ruskin .....	D26/81
D262,829 S *	1/1982	Kvasnicka .....	D26/84
D314,059 S *	1/1991	O'Neil .....	D26/73
D435,133 S *	12/2000	Miranda .....	D26/84
D493,568 S *	7/2004	Parres .....	D26/143
D541,970 S *	5/2007	Blackman .....	D26/81
D576,339 S *	9/2008	Porter .....	D26/86

**OTHER PUBLICATIONS**

“Tromba” fixtures #140-6 and #140-3L on p. 317 of the ELK Lighting catalog © 2009.\*



“Conus” fixture #E20663-20 on p. 70 of the ET2 2007 Lighting catalog.(2 pages).\*

\* cited by examiner

*Primary Examiner*—Clare E Heflin

(74) *Attorney, Agent, or Firm*—Baker & McKenzie LLP

(57) **CLAIM**

The ornamental design for a light fixture, as shown and described.

**DESCRIPTION**

FIG. 1 is a perspective view of a light fixture in accordance with my design;

FIG. 2 is a front elevation view of the light fixture in accordance with my design, the opposite side view being a mirror image of that shown;

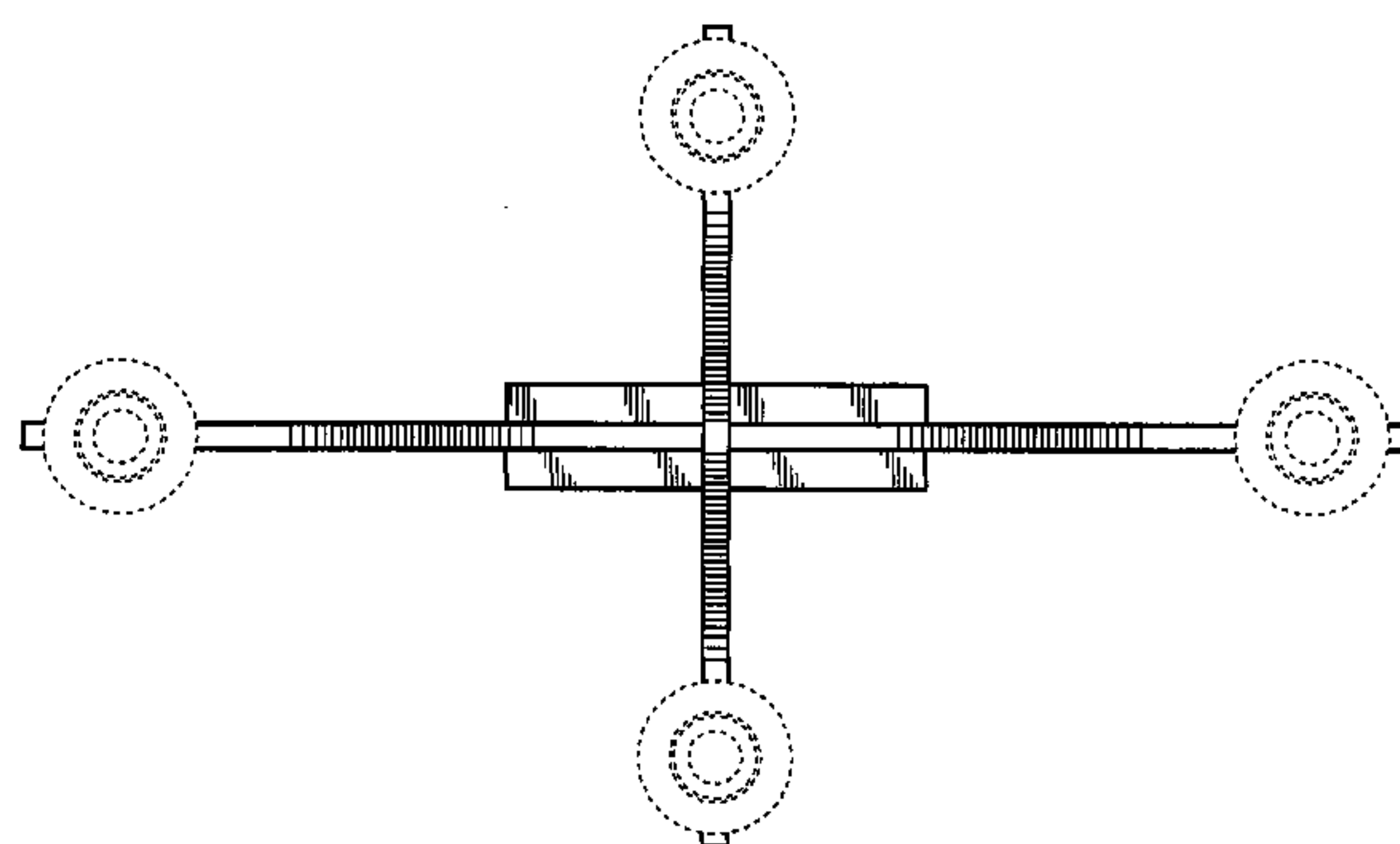
FIG. 3 is a side elevation view of the light fixture in accordance with my design, the opposite side view being a mirror image of that shown;

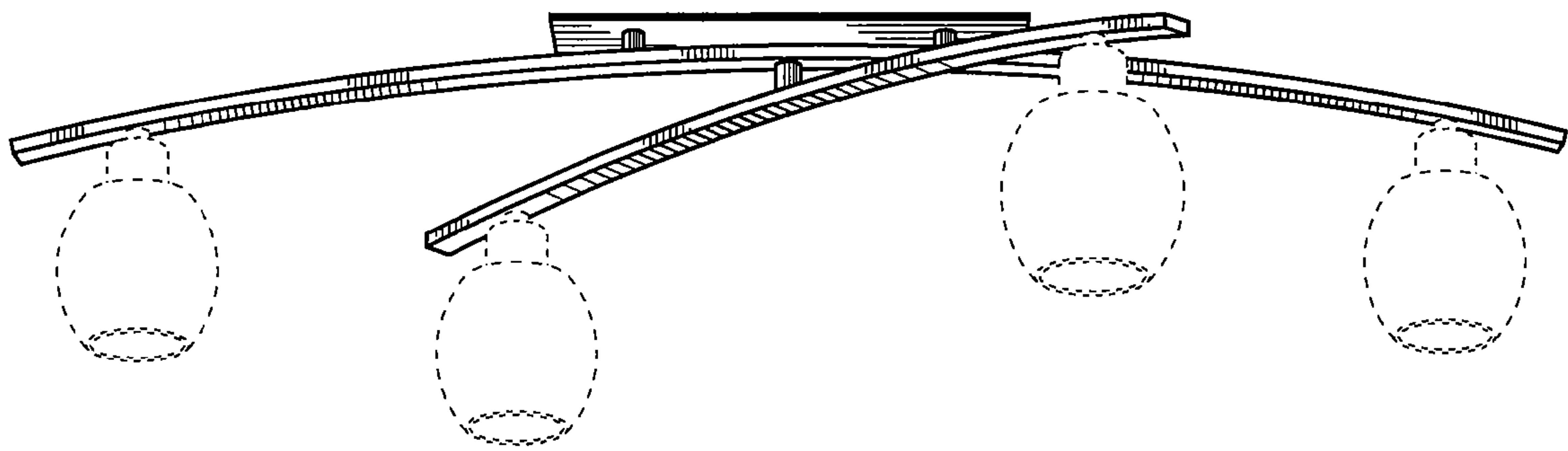
FIG. 4 is a top plan view of the light fixture in accordance with my design; and,

FIG. 5 is a bottom plan view of the light fixture in accordance with my design.

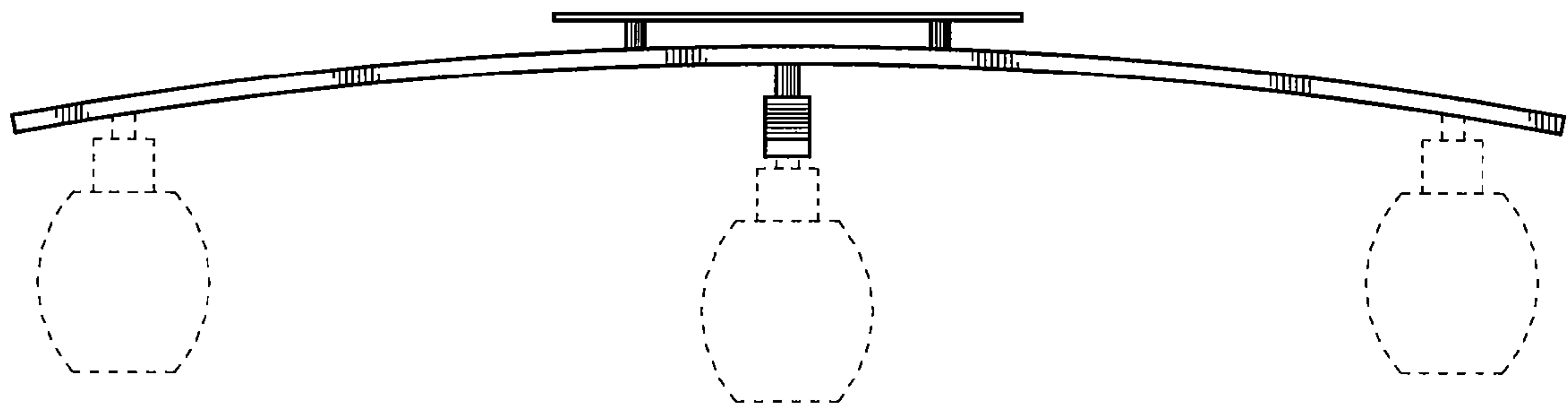
The broken-line disclosure of elements is understood to represent portions of the article in which the design is embodied, but which form no part of the claimed design.

**1 Claim, 2 Drawing Sheets**

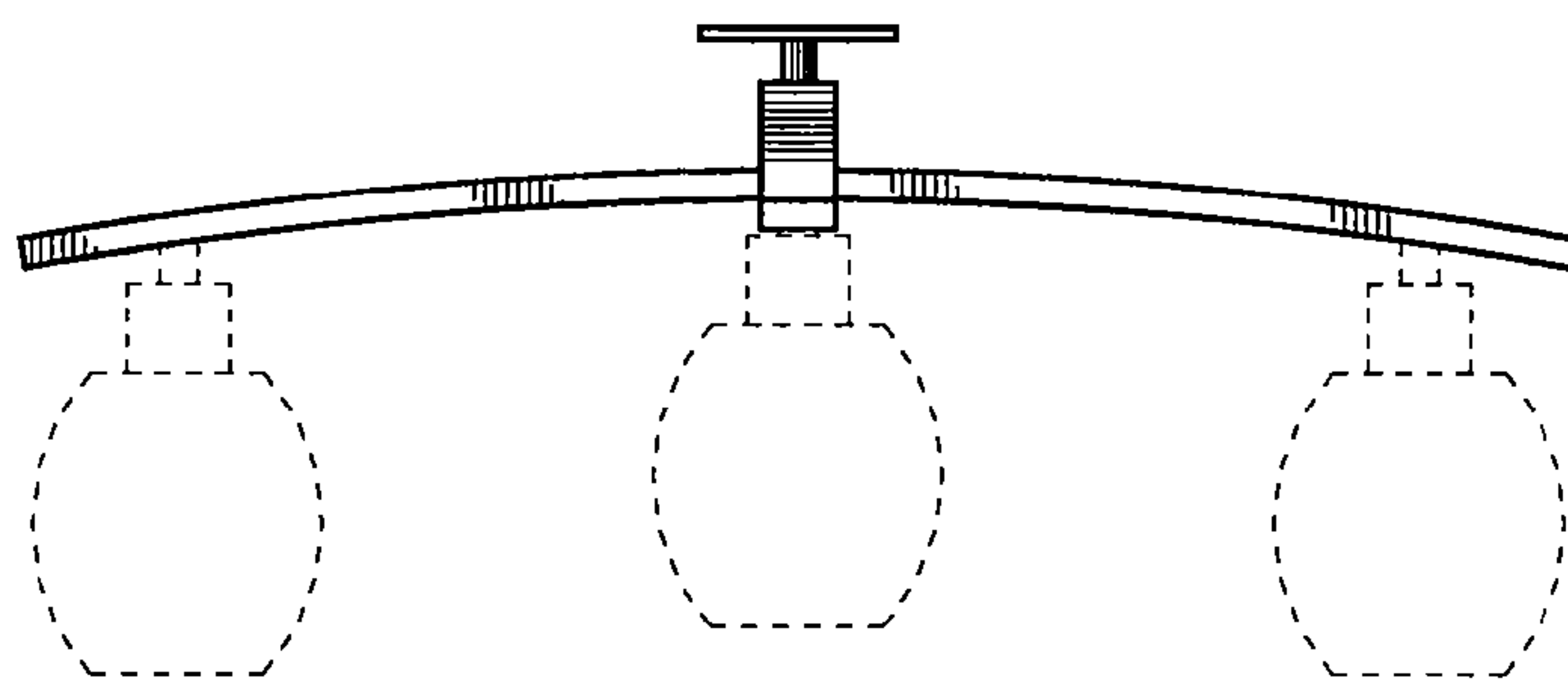




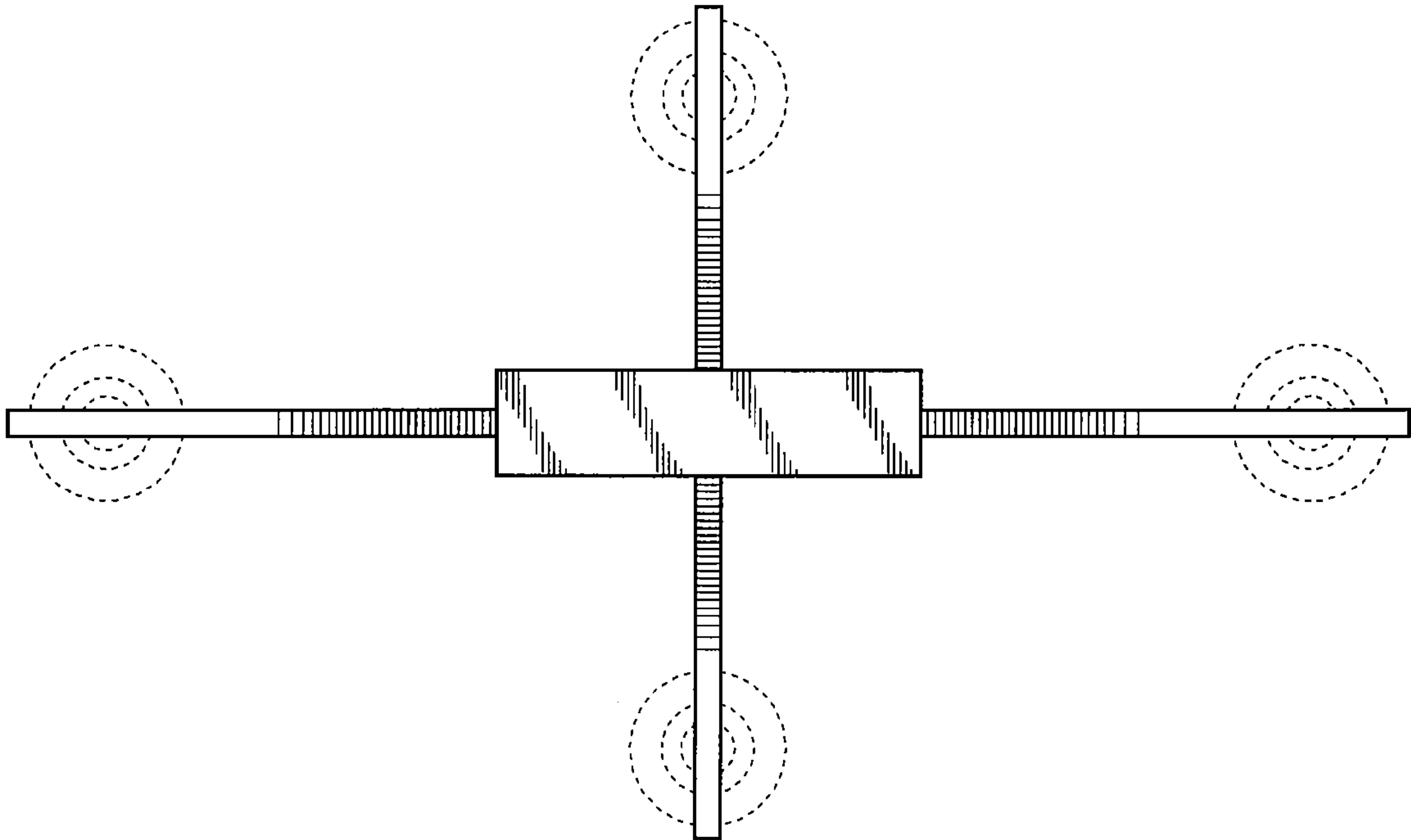
*Fig.1*



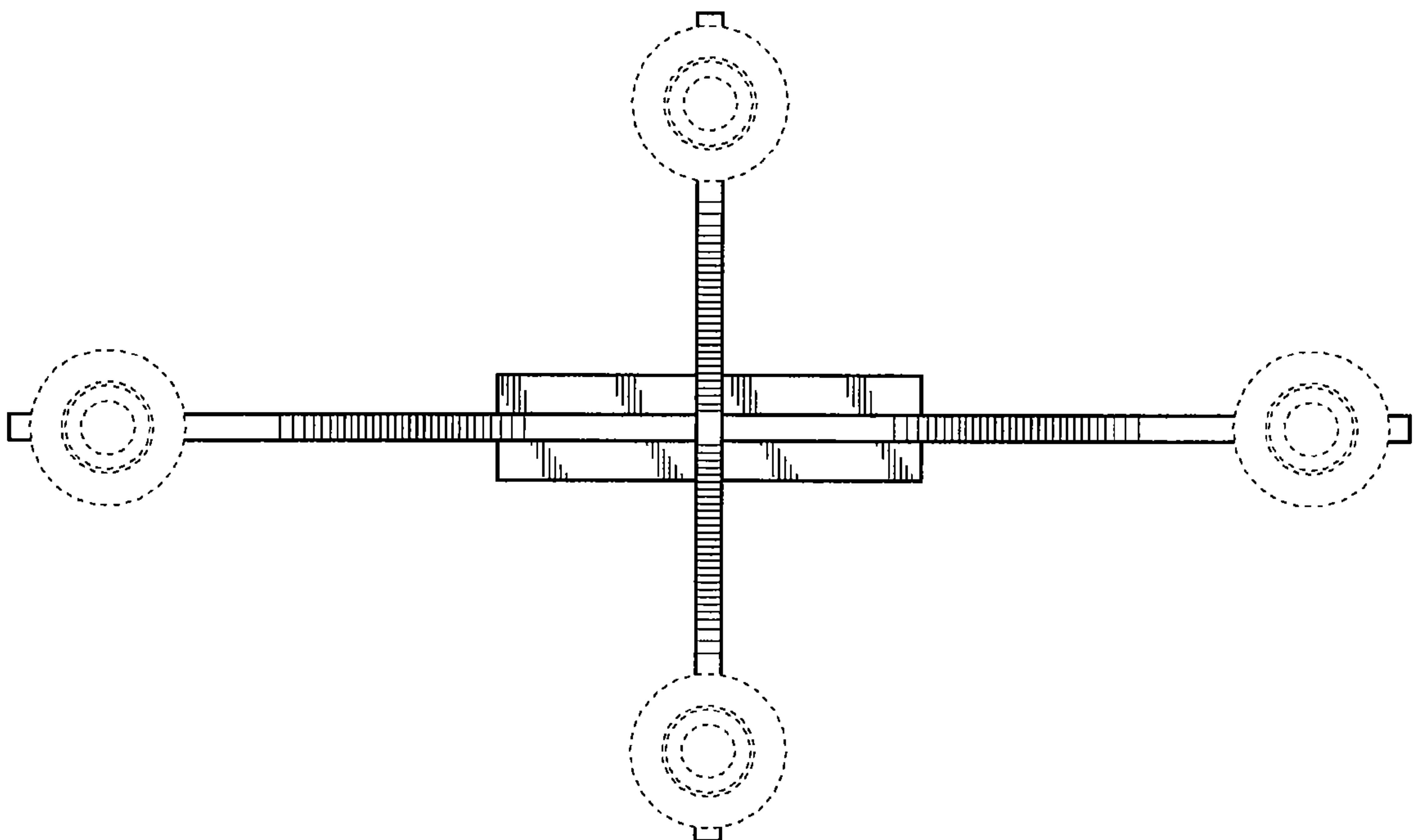
*Fig.2*



*Fig.3*



*Fig.4*



*Fig.5*