



US00D620166S

(12) **United States Design Patent**
Sabernig

(10) **Patent No.:** **US D620,166 S**
(45) **Date of Patent:** **** Jul. 20, 2010**

(54) **LIGHT FIXTURE**

(75) Inventor: **Robert Sabernig**, Munster (AT)

(73) Assignee: **EGLO Leuchten GmbH**, Innsbruck (AT)

(**) Term: **14 Years**

(21) Appl. No.: **29/352,940**

(22) Filed: **Dec. 30, 2009**

(51) **LOC (9) Cl.** **26-05**

(52) **U.S. Cl.** **D26/63; D26/82**

(58) **Field of Classification Search** D26/61–66,
D26/84–86, 88–91, 118, 128, 137; 362/147,
362/404–408, 431, 432, 269, 427, 648

See application file for complete search history.

(56) **References Cited**

U.S. PATENT DOCUMENTS

D36,593 S *	10/1903	Willard	D26/83
5,299,112 A *	3/1994	Nivette et al.	362/431
5,412,552 A *	5/1995	Fernandes	362/249.01
5,833,358 A *	11/1998	Patik	362/391
D442,718 S *	5/2001	Wachter	D26/63
6,592,241 B1 *	7/2003	Kovacik et al.	362/419
6,953,260 B1 *	10/2005	Allen	362/194
D557,441 S *	12/2007	Hsu	D26/83
7,334,921 B1 *	2/2008	Simnor	362/427
D589,198 S *	3/2009	Sabernig	D26/83
2006/0077672 A1 *	4/2006	Schaak	362/418

OTHER PUBLICATIONS

Spot Light shown in top left corner of p. 24; and “Sol” spot light shown on pp. 6 and 7. Both from the Buckingham 2008-2009 Architectural Lighting Catalog. (3 pages).*

“Flash” fixture #E22025-18 on p. 195 of the 2007 ET2 Lighting Catalog. (2 pages).*

“Leding” lighting track with three spotlights. Item 16 on p. 311 of the 2008 Ikea Catalog. (1 page).*

* cited by examiner

Primary Examiner—Clare E Heflin

(74) *Attorney, Agent, or Firm*—Baker & McKenzie LLP

(57) **CLAIM**

The ornamental design for a light fixture, as shown and described.

DESCRIPTION

FIG. 1 is a perspective view of a light fixture in accordance with my design shown in a first embodiment;

FIG. 2 is a bottom plan view of the light fixture in accordance with my design shown in a second embodiment;

FIG. 3 is a side elevation view of the light fixture in accordance with my design shown in the first embodiment;

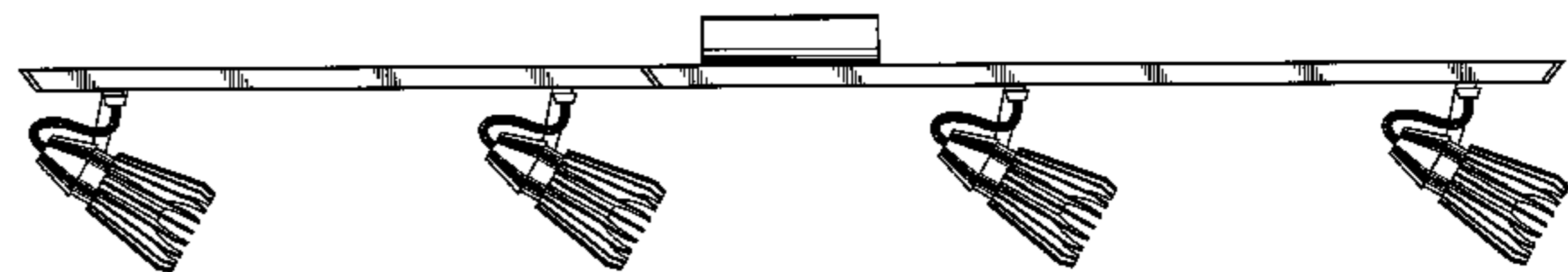
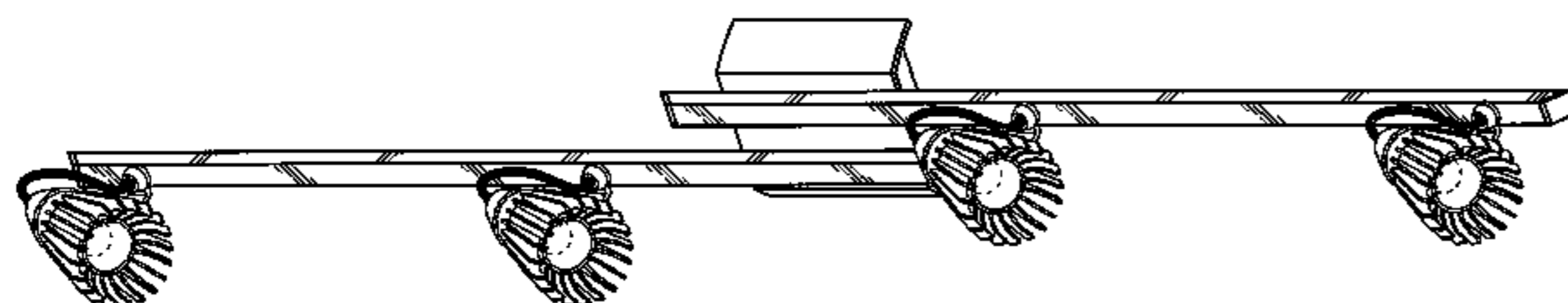
FIG. 4 is an opposite side elevation view of the light fixture in accordance with my design shown in the first embodiment;

FIG. 5 is a back elevation view of the light fixture in accordance with my design shown in the first embodiment; and,

FIG. 6 is a front elevation view of the light fixture in accordance with my design shown in the first embodiment.

The broken-line disclosure of elements is understood to represent portions of the article in which the design is embodied, but which form no part of the claimed design.

1 Claim, 2 Drawing Sheets



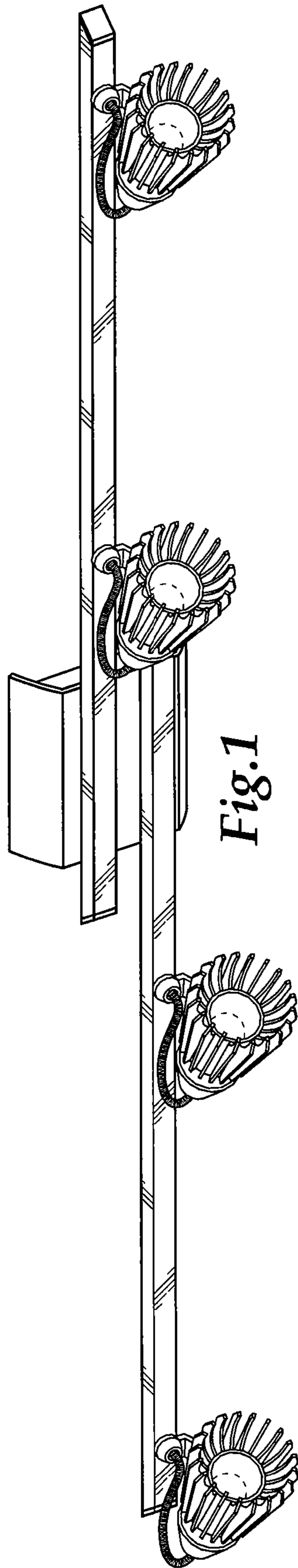


Fig. 1

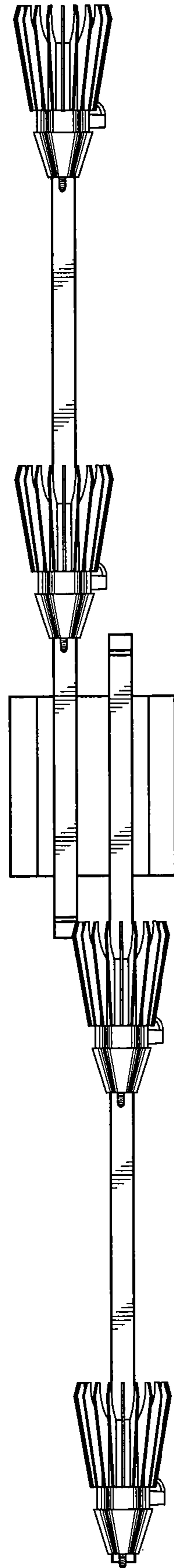


Fig. 2

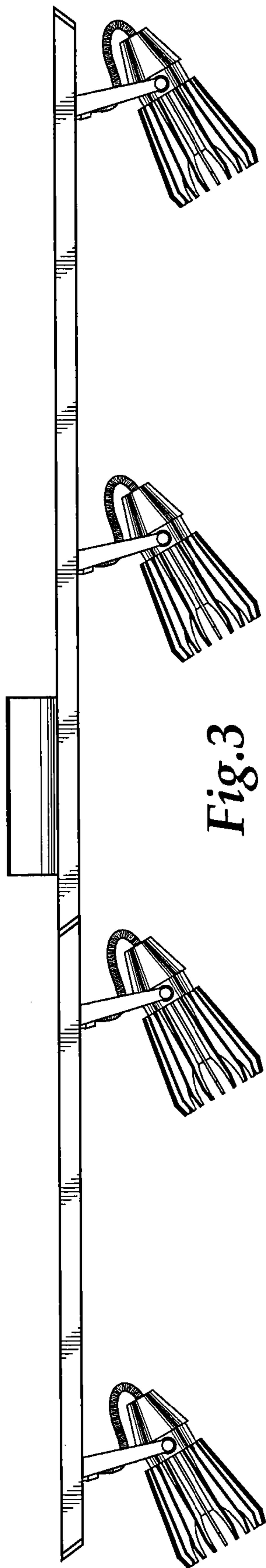


Fig.3

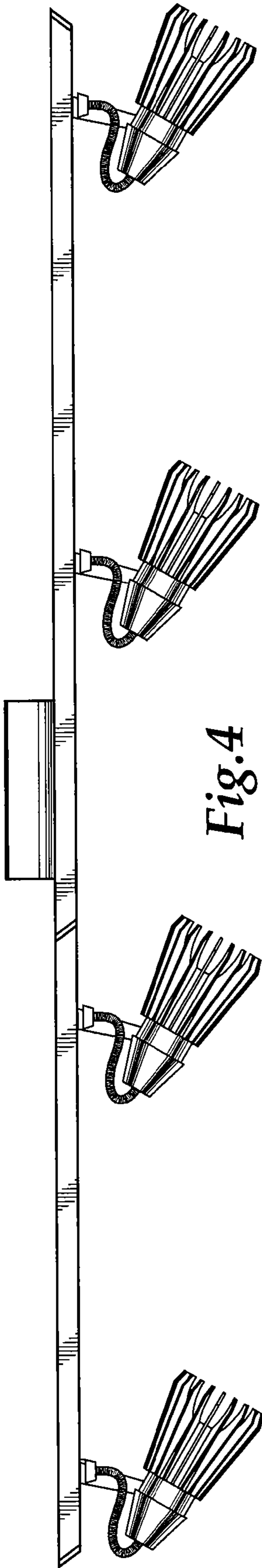


Fig.4

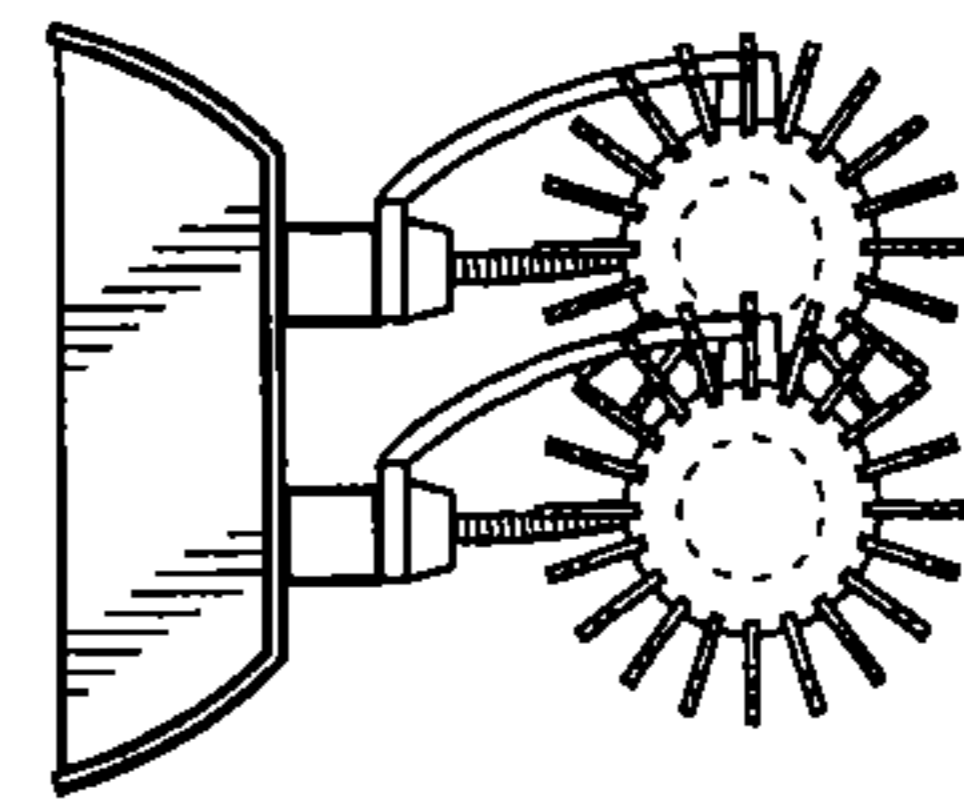


Fig.6

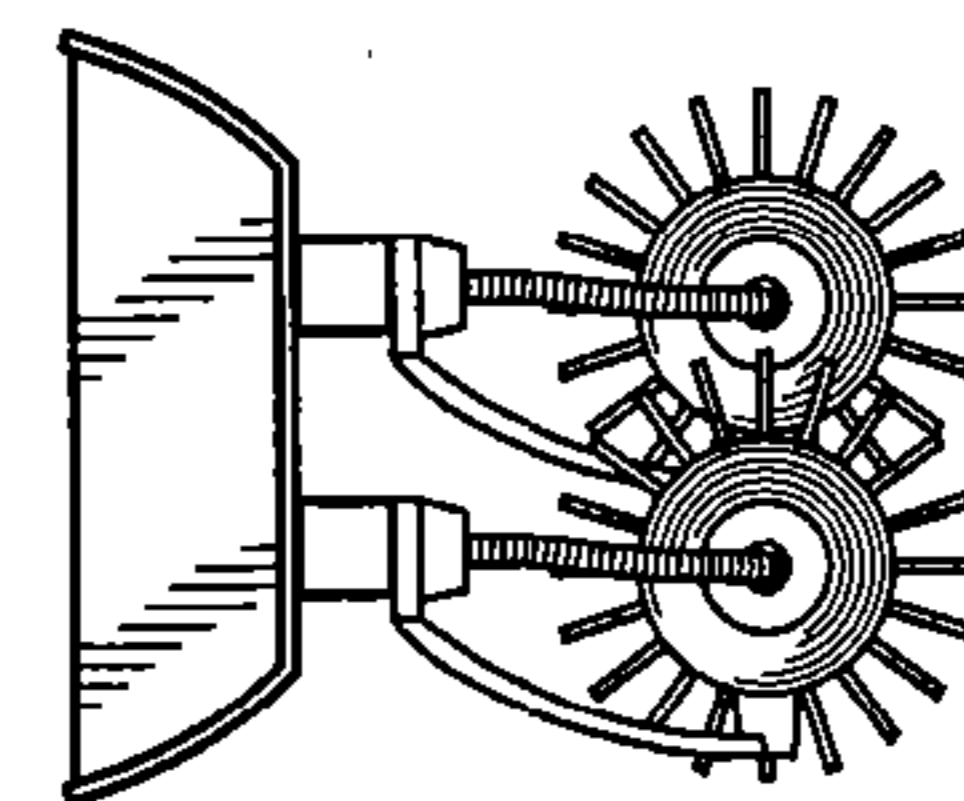


Fig.5