



US00D620165S

(12) **United States Design Patent**
Huang

(10) **Patent No.:** **US D620,165 S**

(45) **Date of Patent:** **** Jul. 20, 2010**

(54) **TABLE LAMP**

(75) Inventor: **Huo-Tu Huang**, Taipei County (TW)

(73) Assignee: **Huangslite Industrial Co., Ltd.**, Taipei Hsien (TW)

(**) Term: **14 Years**

(21) Appl. No.: **29/347,370**

(22) Filed: **Dec. 17, 2009**

(51) **LOC (9) Cl.** **26-05**

(52) **U.S. Cl.** **D26/63; D26/65**

(58) **Field of Classification Search** D26/61-65,
D26/107; 362/269, 275, 285, 371, 410, 413,
362/414, 418, 419, 427

See application file for complete search history.

(56) **References Cited**

U.S. PATENT DOCUMENTS

D122,711 S *	9/1940	May	D26/63
D147,900 S *	11/1947	Fanelli	D26/60
D274,473 S *	6/1984	de Boer	D26/60
D303,580 S *	9/1989	Kyricos	D26/65
D335,719 S *	5/1993	Kuo	D26/65
D495,082 S *	8/2004	Marchand	D26/65

D523,164 S *	6/2006	Ng	D26/65
D528,691 S *	9/2006	Waldmann	D26/65
D542,955 S *	5/2007	Hodgson	D26/60
D568,520 S *	5/2008	Castellucci et al.	D26/65
D579,597 S *	10/2008	Ng	D26/61
D597,239 S *	7/2009	Hodgson	D26/65
D600,388 S *	9/2009	Huang	D26/65

* cited by examiner

Primary Examiner—Clare E Heflin

(57) **CLAIM**

I claim the ornamental design for table lamp, as shown and described.

DESCRIPTION

FIG. 1. is a perspective view of table lamp showing my new design

FIG. 2. is a front elevational view thereof;

FIG. 3. is a rear elevational view thereof;

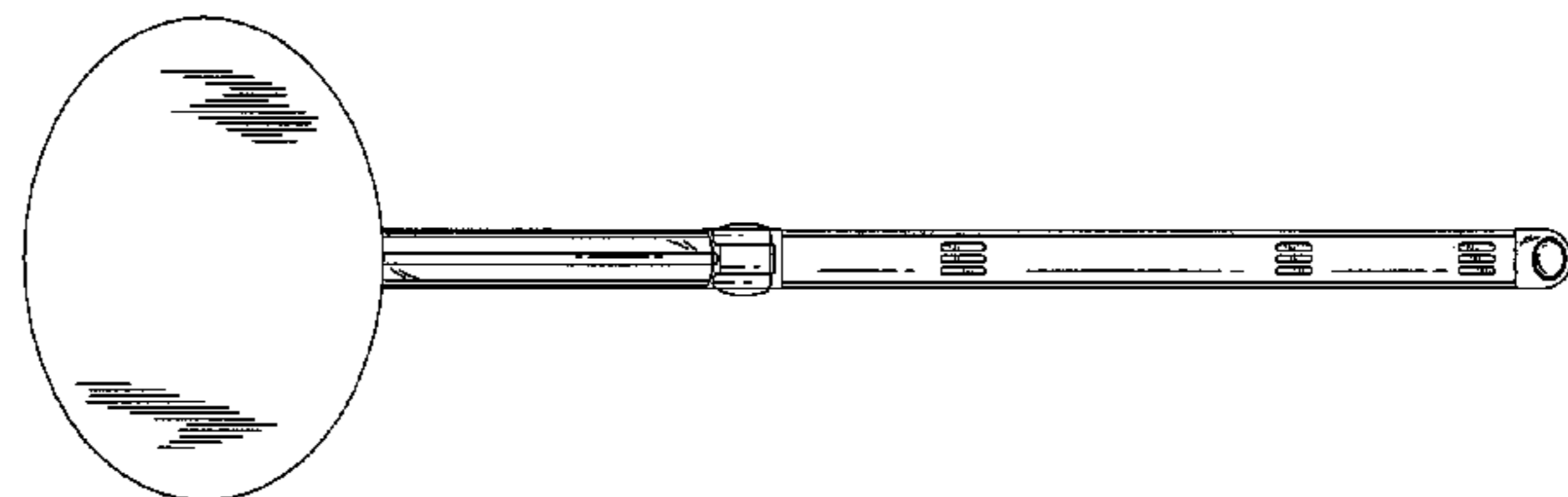
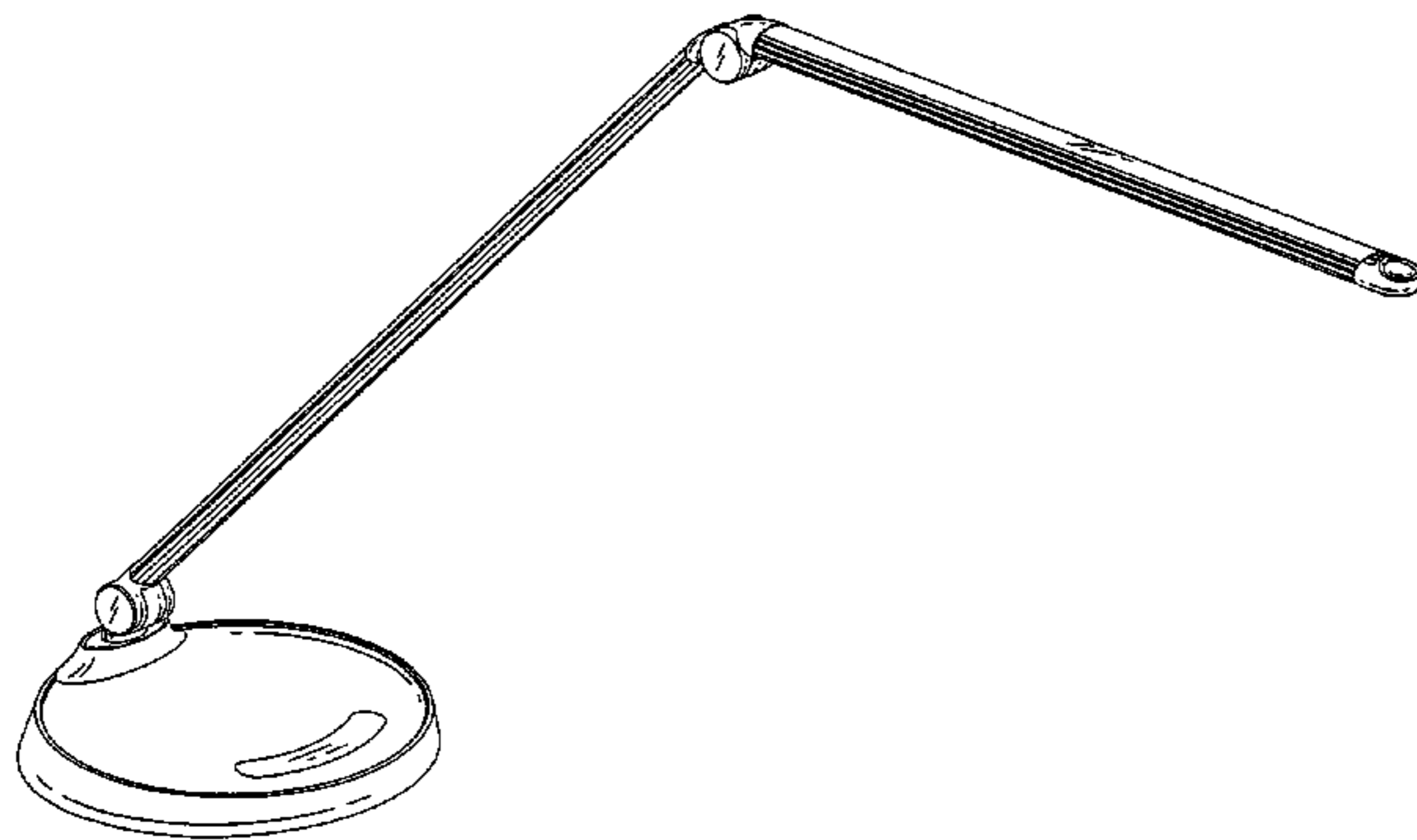
FIG. 4. is a left side elevational view thereof;

FIG. 5. is a right side elevational view thereof;

FIG. 6. is a top plan view thereof; and,

FIG. 7. is a bottom plan view thereof.

1 Claim, 6 Drawing Sheets



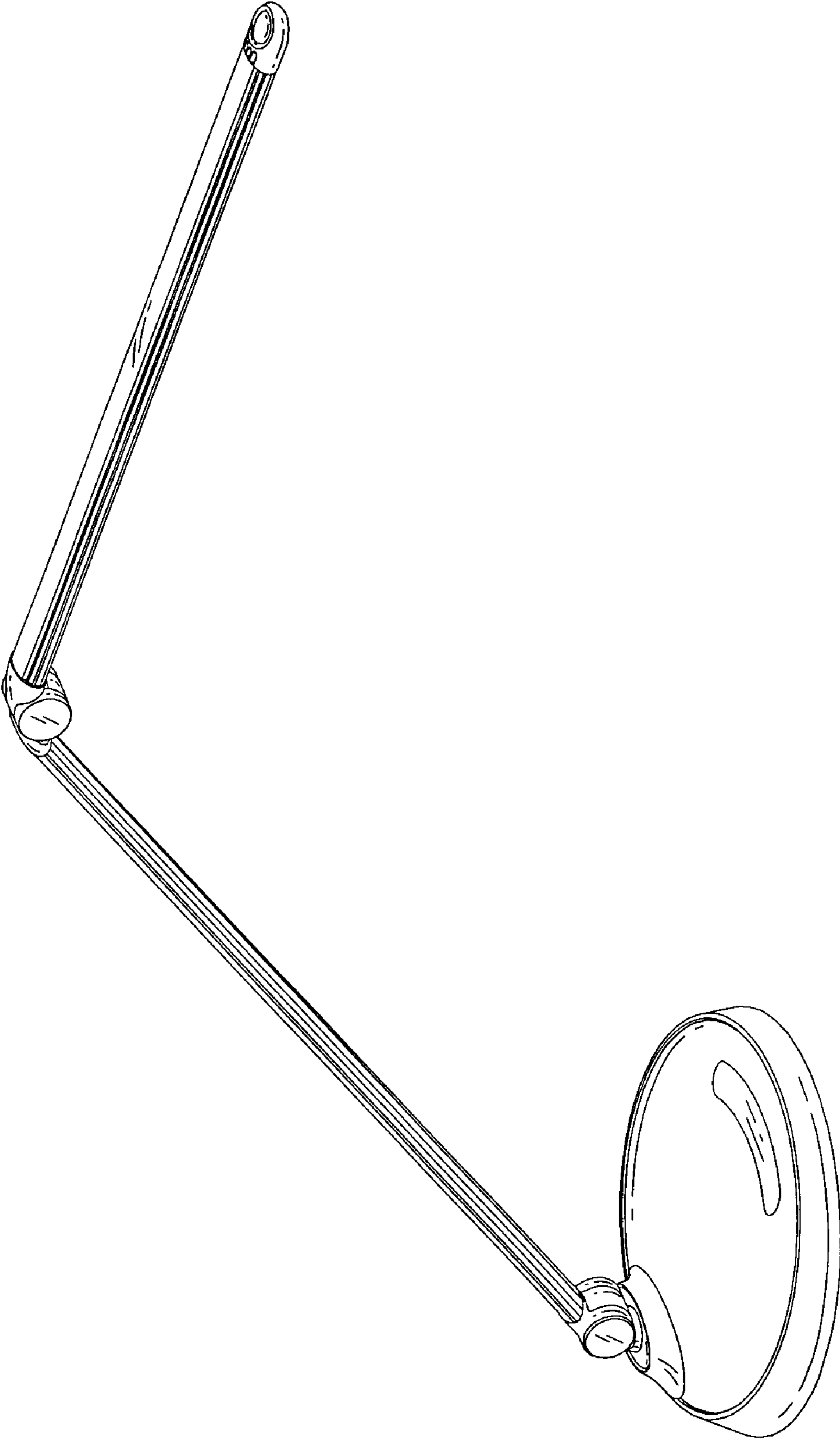


FIG. 1

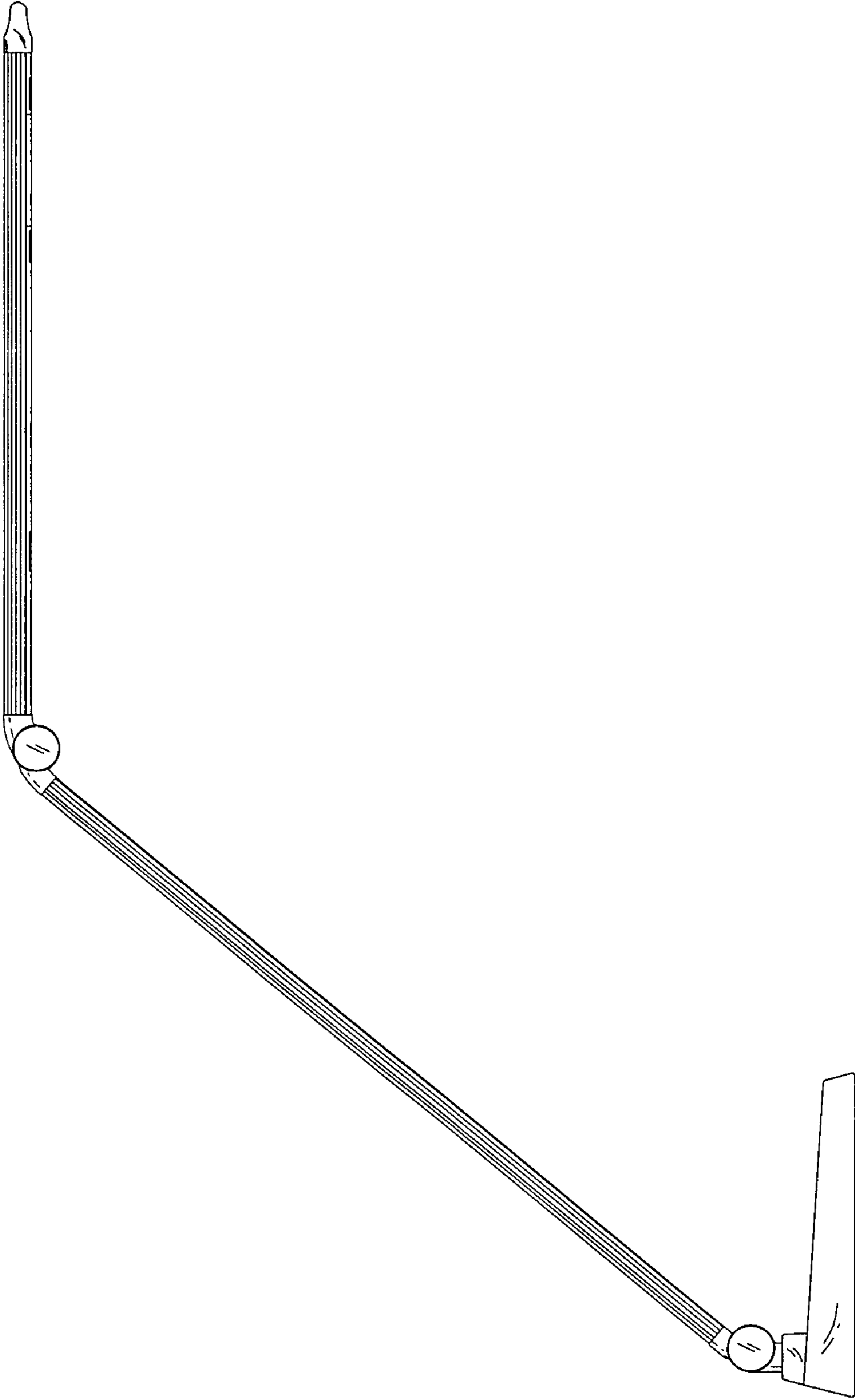


FIG. 2

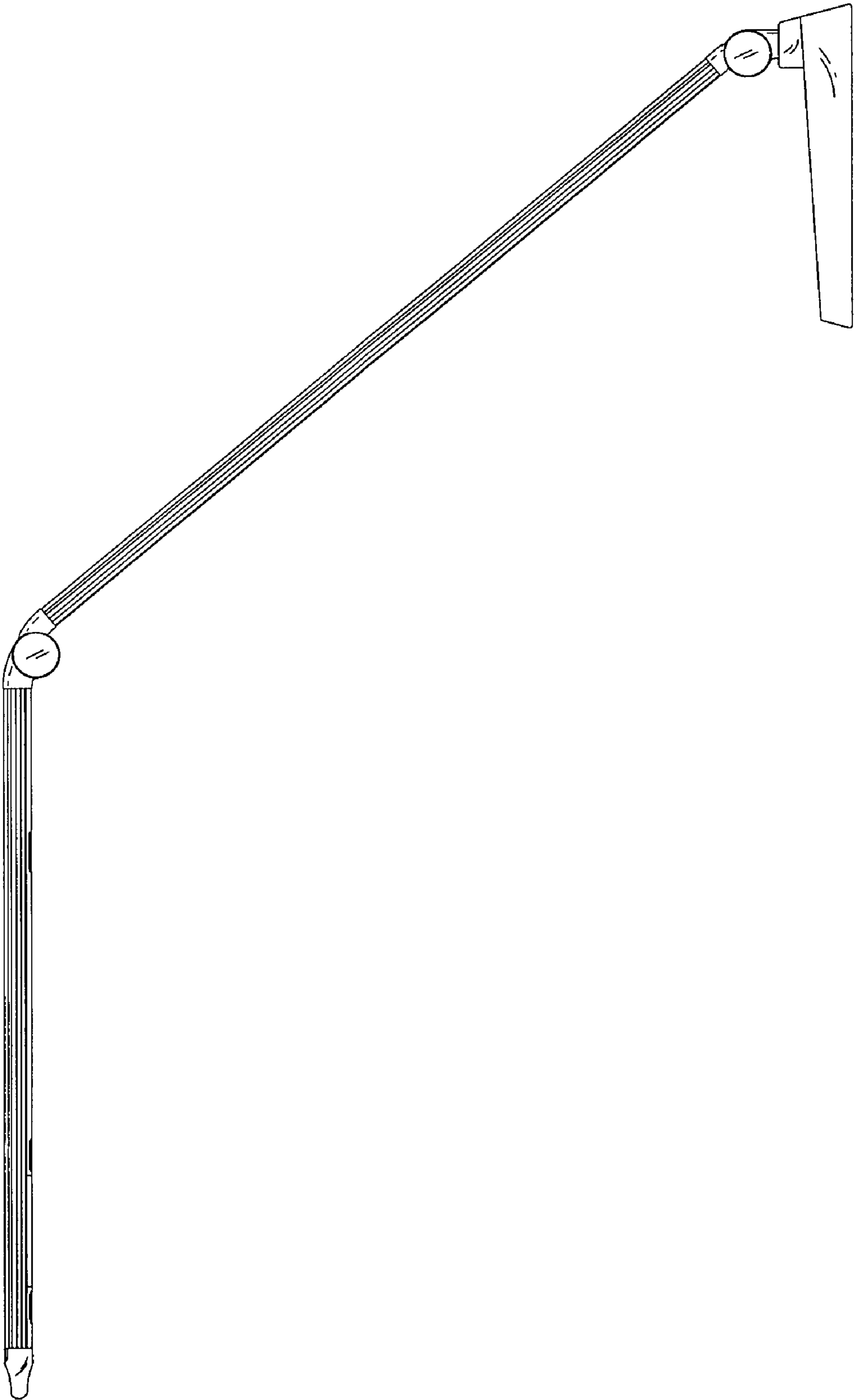


FIG. 3

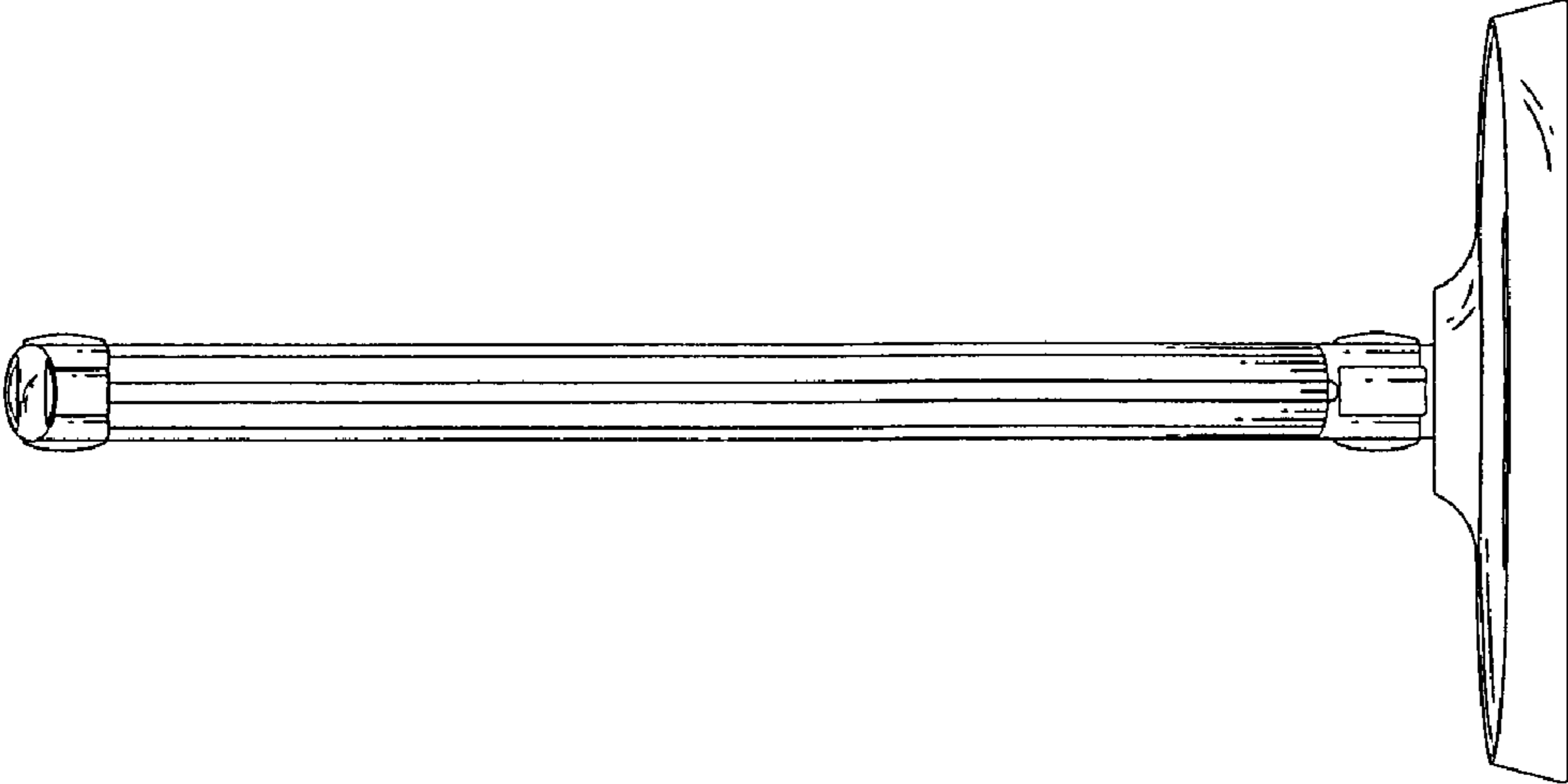


FIG. 5

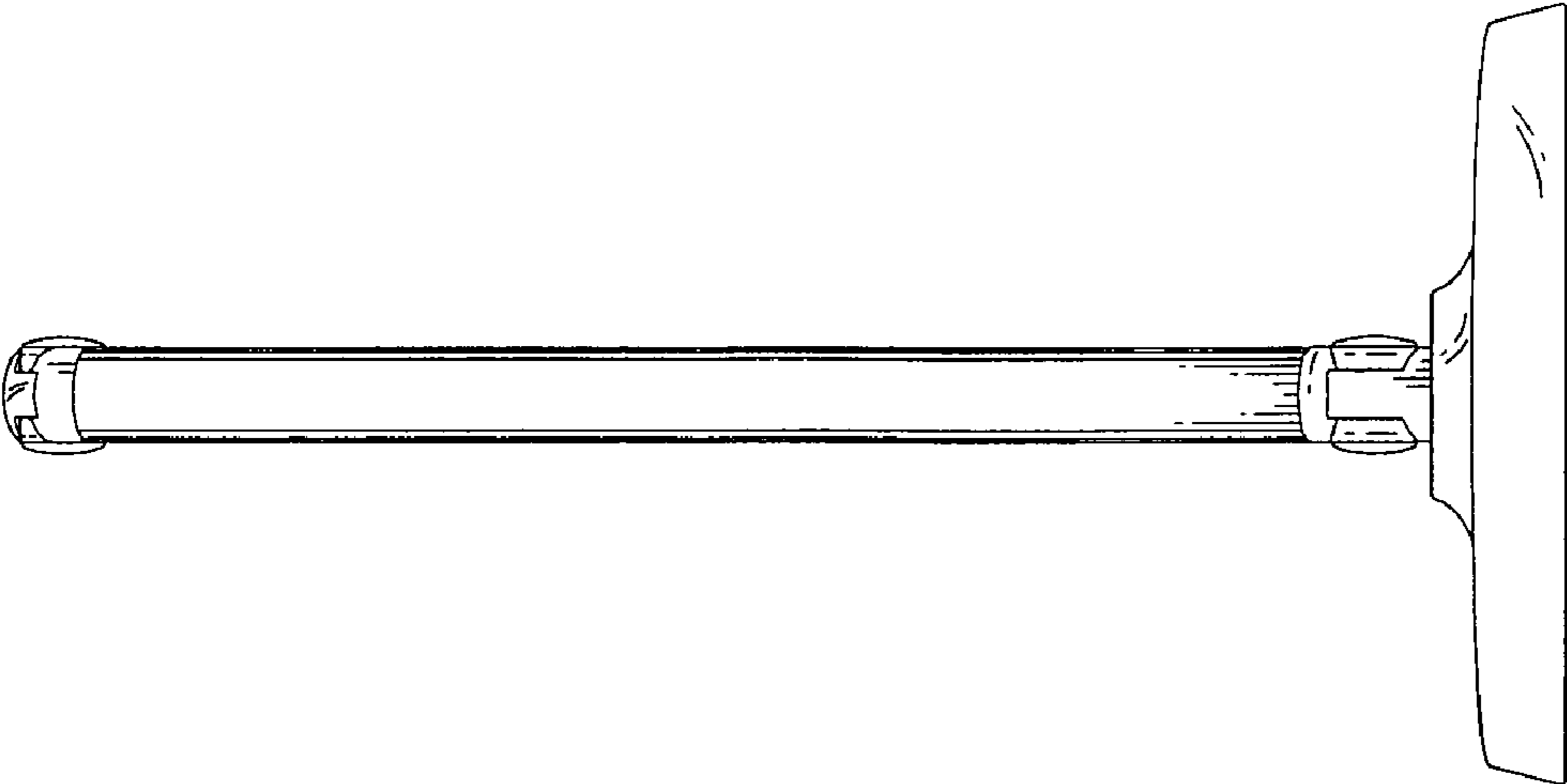


FIG. 4

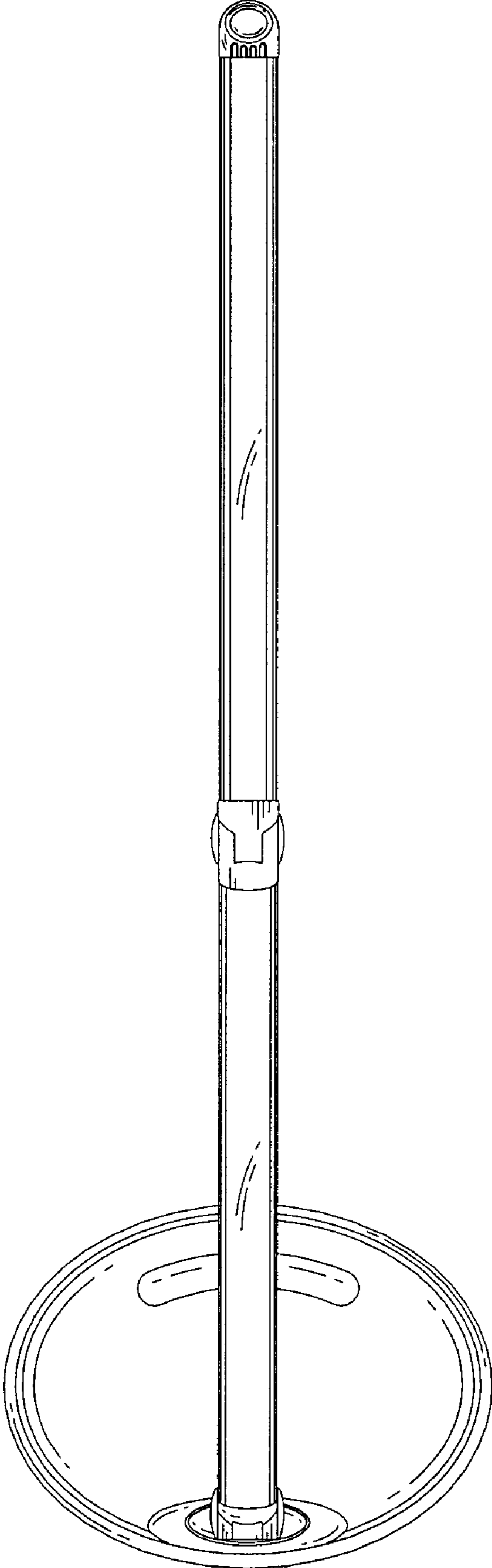


FIG. 6

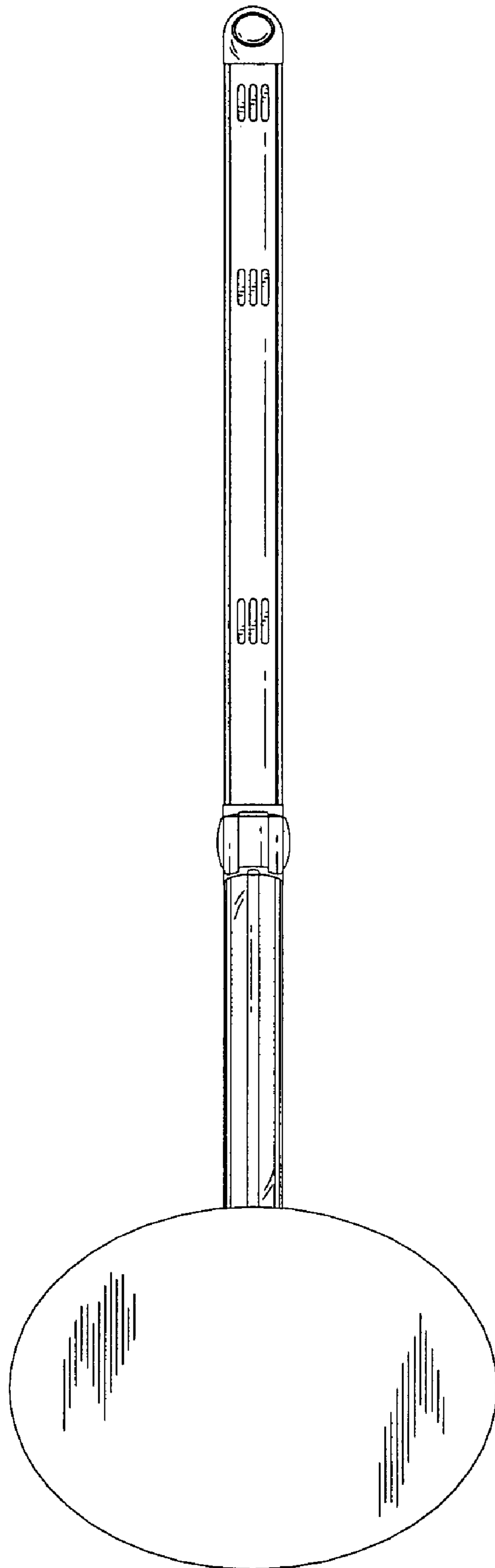


FIG. 7