



US00D620164S

(12) **United States Design Patent**
Chen

(10) **Patent No.:** **US D620,164 S**
(45) **Date of Patent:** **** Jul. 20, 2010**

(54) **COMBINED PUCK LIGHT AND FIXED MOUNTING BRACKET**

(75) Inventor: **Chi Gon Chen**, Guang Zhou (CN)

(73) Assignee: **International Development LLC**,
Roanoke, TX (US)

(**) Term: **14 Years**

(21) Appl. No.: **29/346,145**

(22) Filed: **Oct. 27, 2009**

(51) **LOC (9) Cl.** **26-05**

(52) **U.S. Cl.** **D26/60**

(58) **Field of Classification Search** D26/28,
D26/37, 44, 60, 61, 63, 72, 80; 362/191,
362/196, 197, 200, 396, 397, 473-476
See application file for complete search history.

(56) **References Cited**

U.S. PATENT DOCUMENTS

D111,886 S *	10/1938	Zagel	D26/60
3,936,670 A *	2/1976	Allen, Sr.	362/258
4,387,416 A *	6/1983	Decker	362/190
D346,234 S *	4/1994	Sammis	D26/29
D377,988 S *	2/1997	Brain et al.	D26/37
D443,086 S *	5/2001	van Klinken	D26/37
D484,270 S *	12/2003	Yiu	D26/89
D495,075 S *	8/2004	Oas	D26/37
D496,483 S *	9/2004	Christianson	D26/60
6,923,551 B2 *	8/2005	Galli	362/191
D544,117 S *	6/2007	Coushaine	D26/37
D544,388 S *	6/2007	Chisholm	D10/114
7,293,900 B1 *	11/2007	Lee	362/476
D577,836 S *	9/2008	Engebrigtsen	D26/24
7,438,431 B2 *	10/2008	Ford et al.	362/116
D588,291 S *	3/2009	VanderWoude	D26/37

D608,037 S * 1/2010 Lee D26/60
2006/0171145 A1 * 8/2006 Ford et al. 362/200

* cited by examiner

Primary Examiner—Clare E Heflin

(74) *Attorney, Agent, or Firm*—David W. Carstens; Carstens & Cahoon, LLP

(57) **CLAIM**

The ornamental design for a combined puck light and fixed mounting bracket, as shown and described.

DESCRIPTION

FIG. 1 is a front perspective view of the combined puck light and fixed mounting bracket of the present invention in an engaged configuration;

FIG. 2 is a rear perspective view thereof;

FIG. 3 is a front elevation exploded view of the combined puck light and fixed mounting bracket of the present invention in a disengaged configuration;

FIG. 4 is a rear elevation view thereof;

FIG. 5 is a left side elevation view thereof with the right side being a mirror image thereof;

FIG. 6 is a bottom plan view thereof;

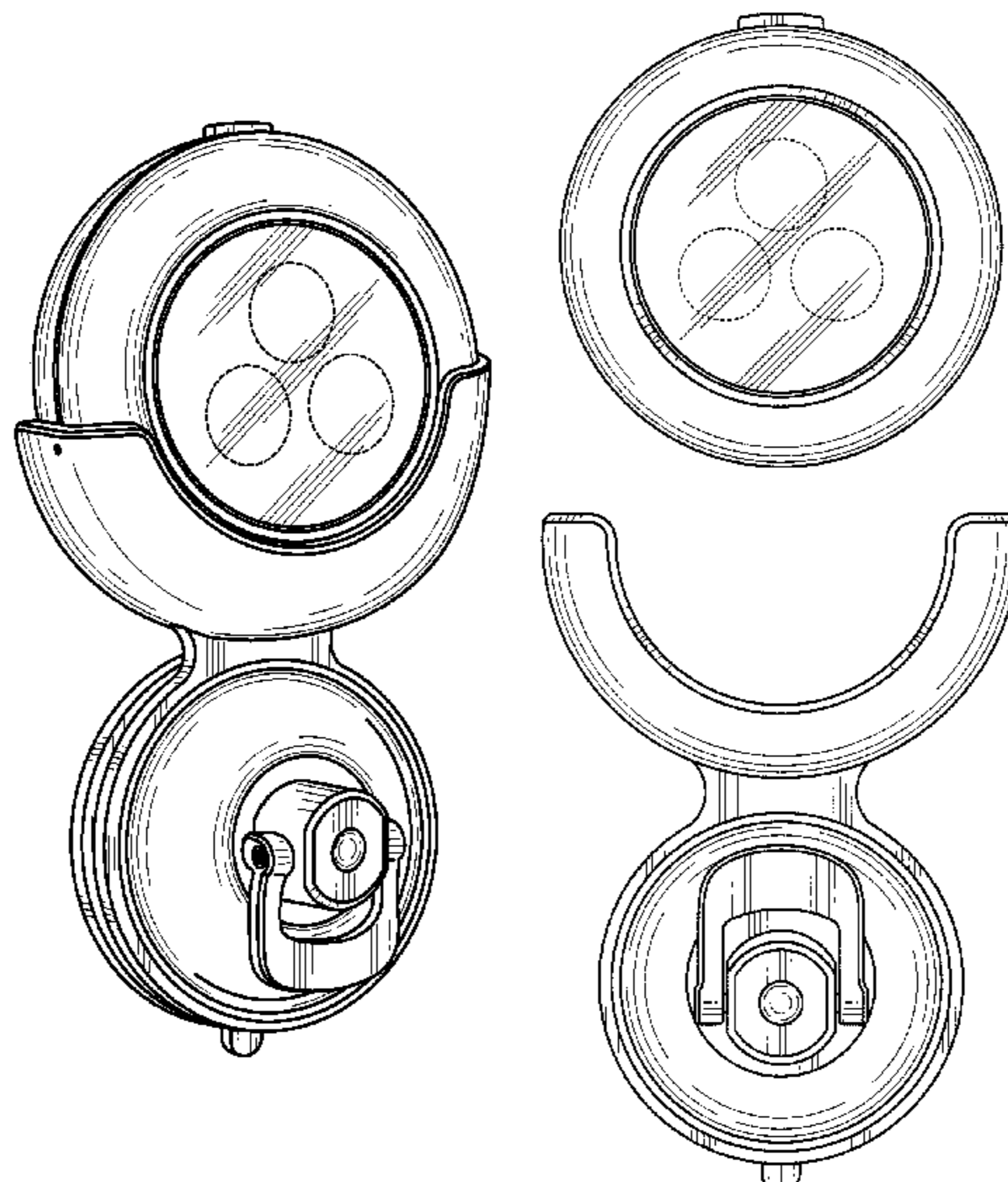
FIG. 7 is a top plan view of the mounting bracket portion of the combined puck light and fixed mounting bracket, showing the new design with the puck light portion removed for illustrative purposes only;

FIG. 8 is a top plan view of the puck light portion of the combined puck light and fixed mounting bracket, showing the new design with the mounting bracket portion removed for illustrative purposes only; and,

FIG. 9 is a bottom plan view thereof.

The broken lines are shown in the views for illustrative purposes only and form no part of the claimed design.

1 Claim, 5 Drawing Sheets



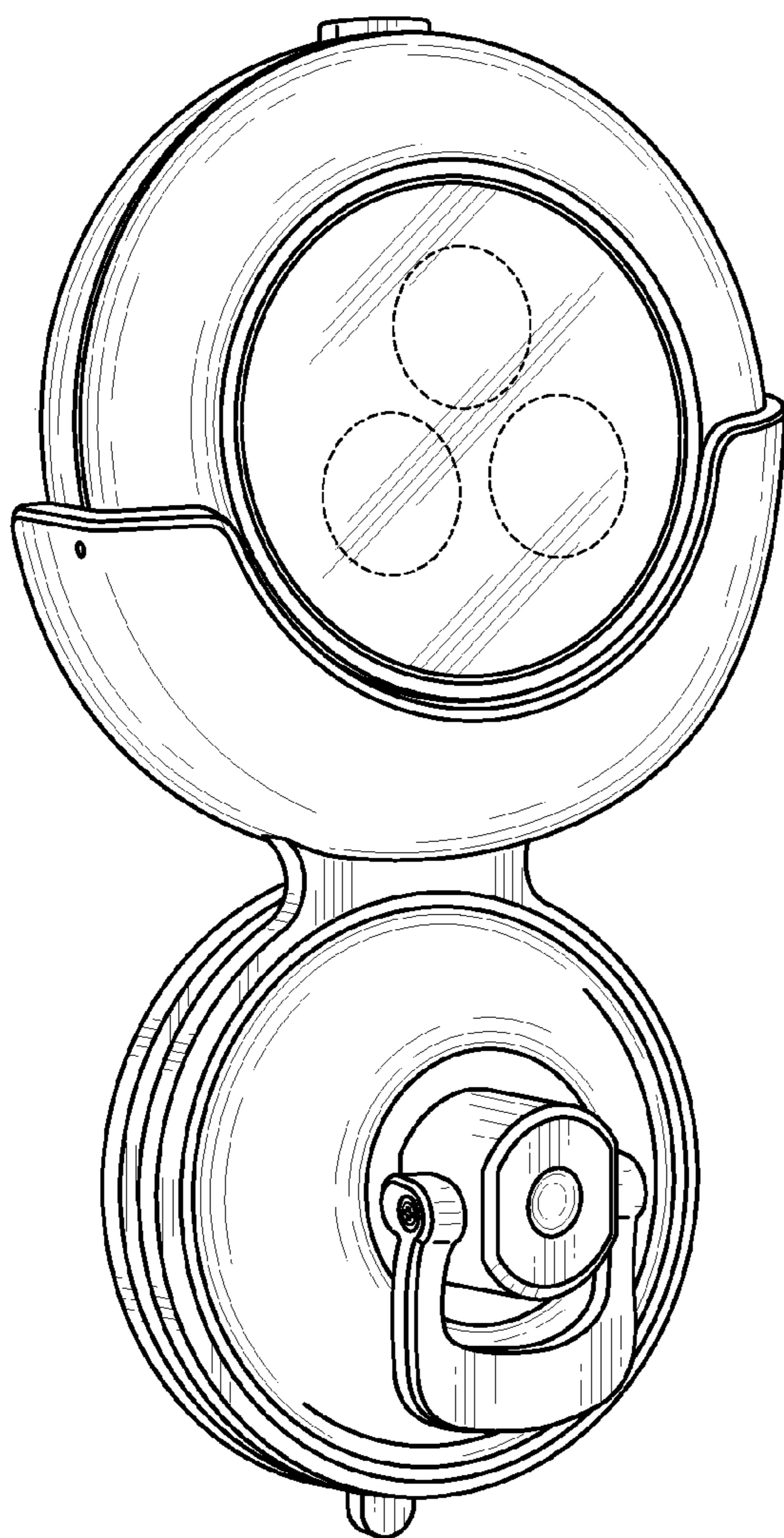


FIG. 1

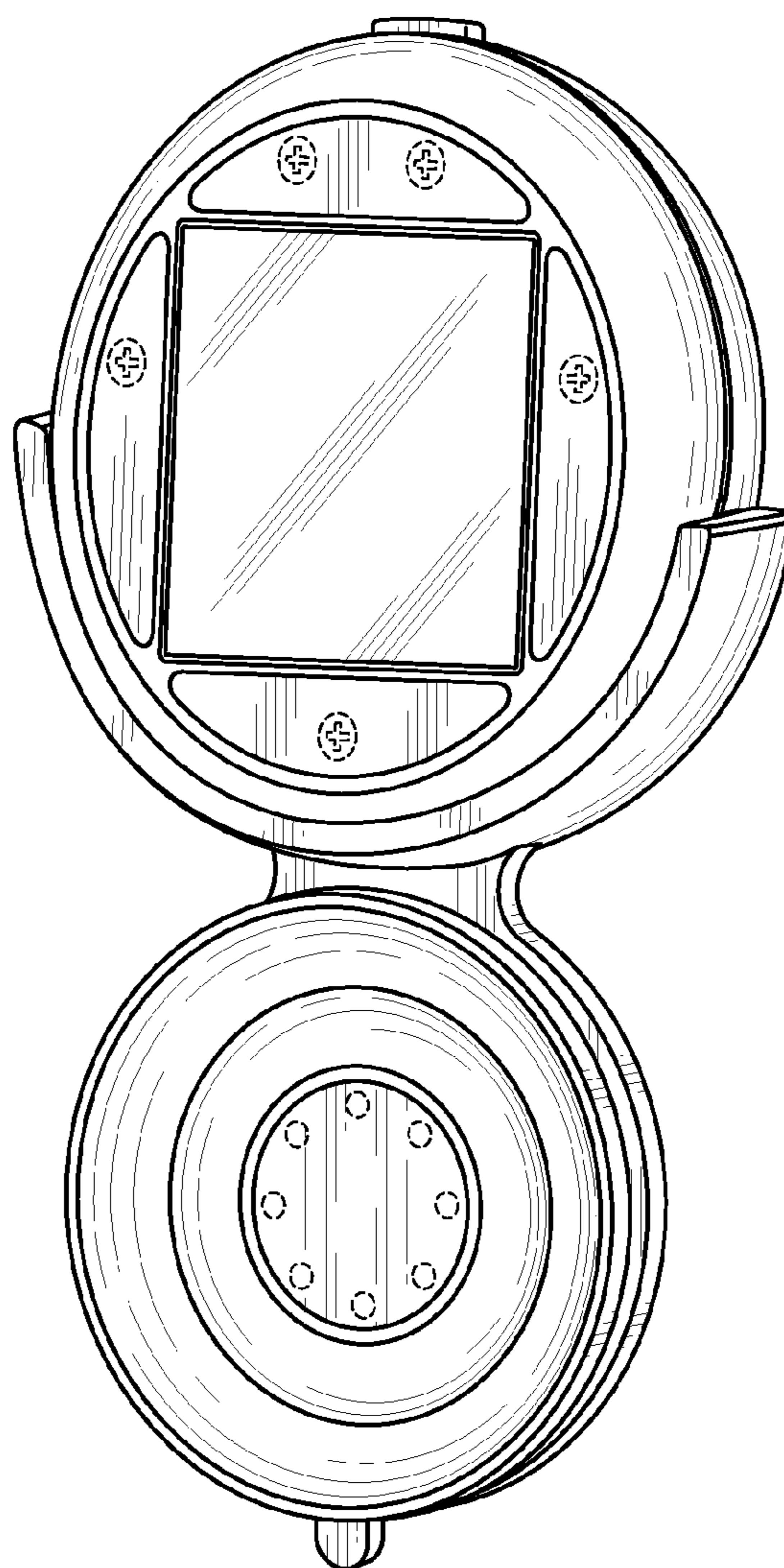
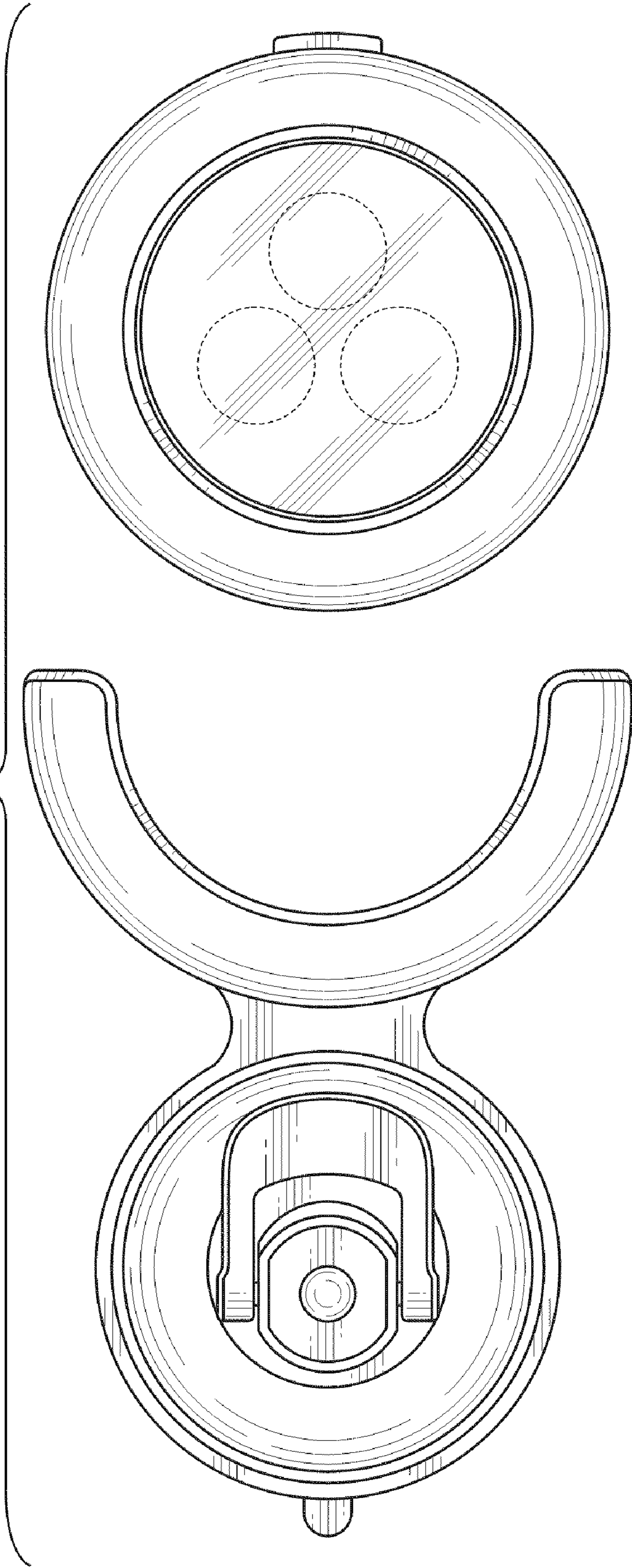
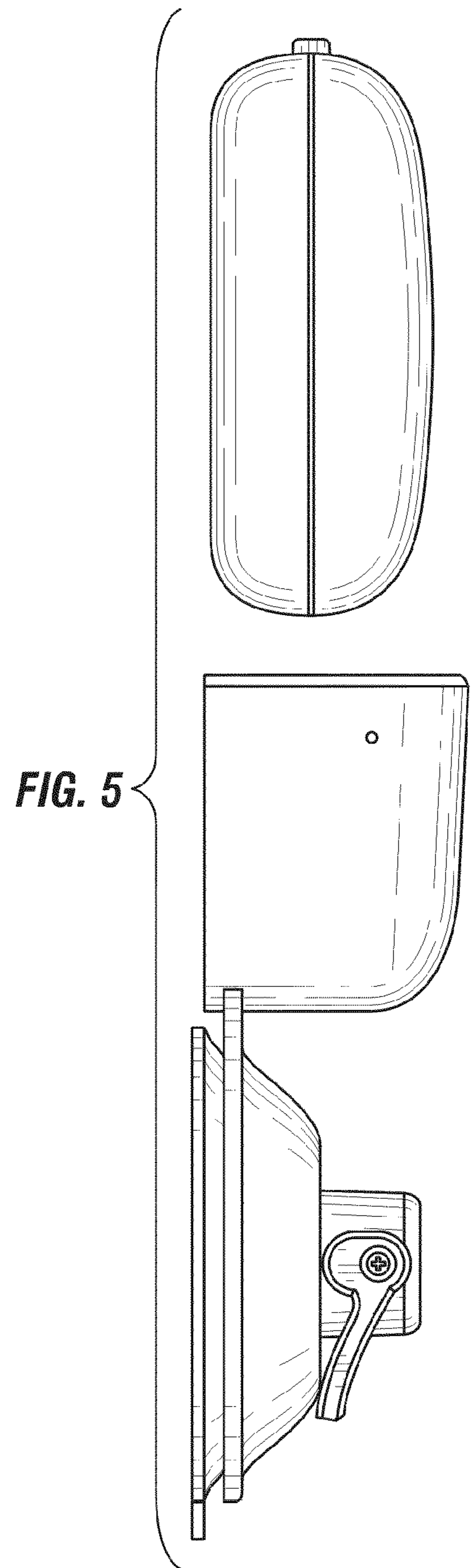
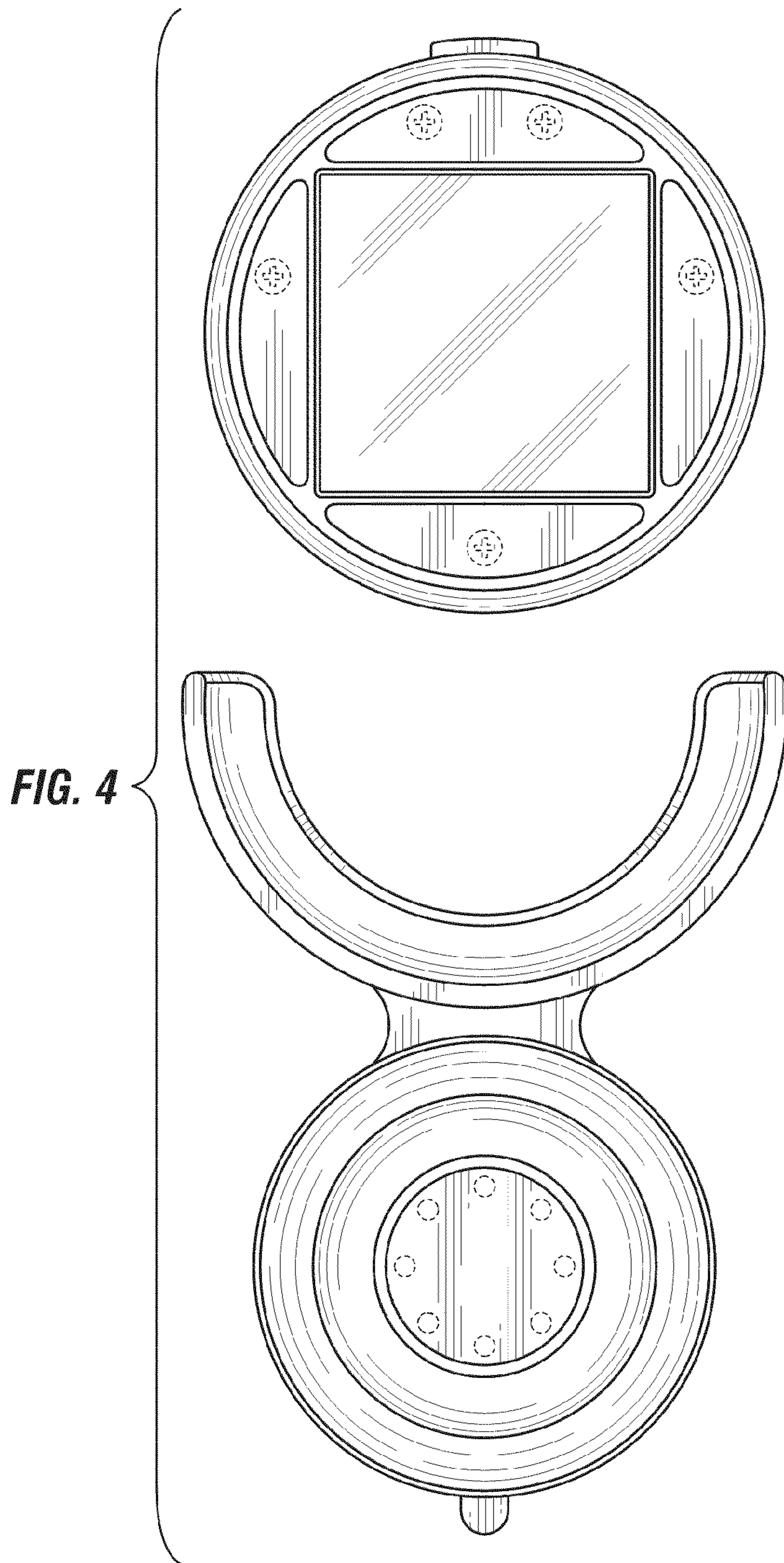


FIG. 2

FIG. 3





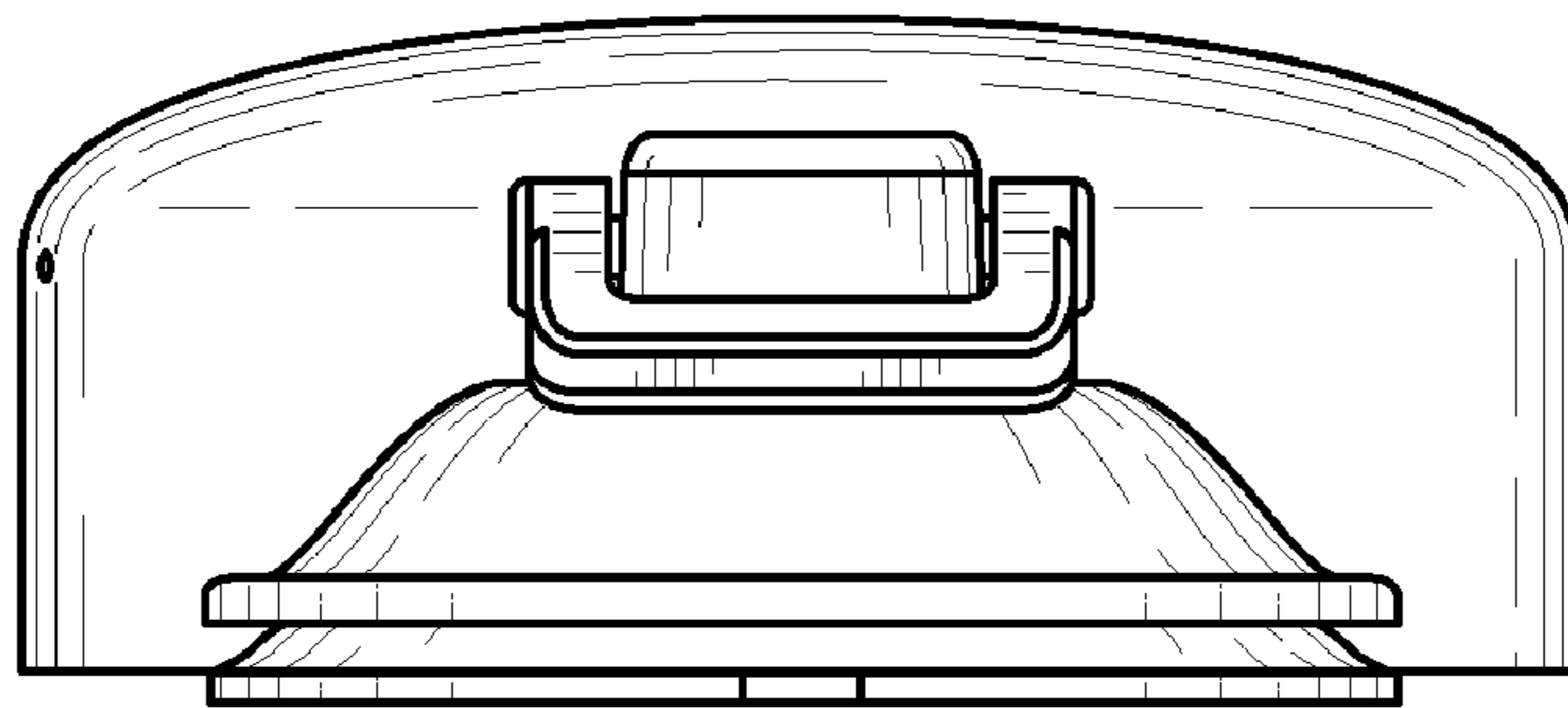


FIG. 6

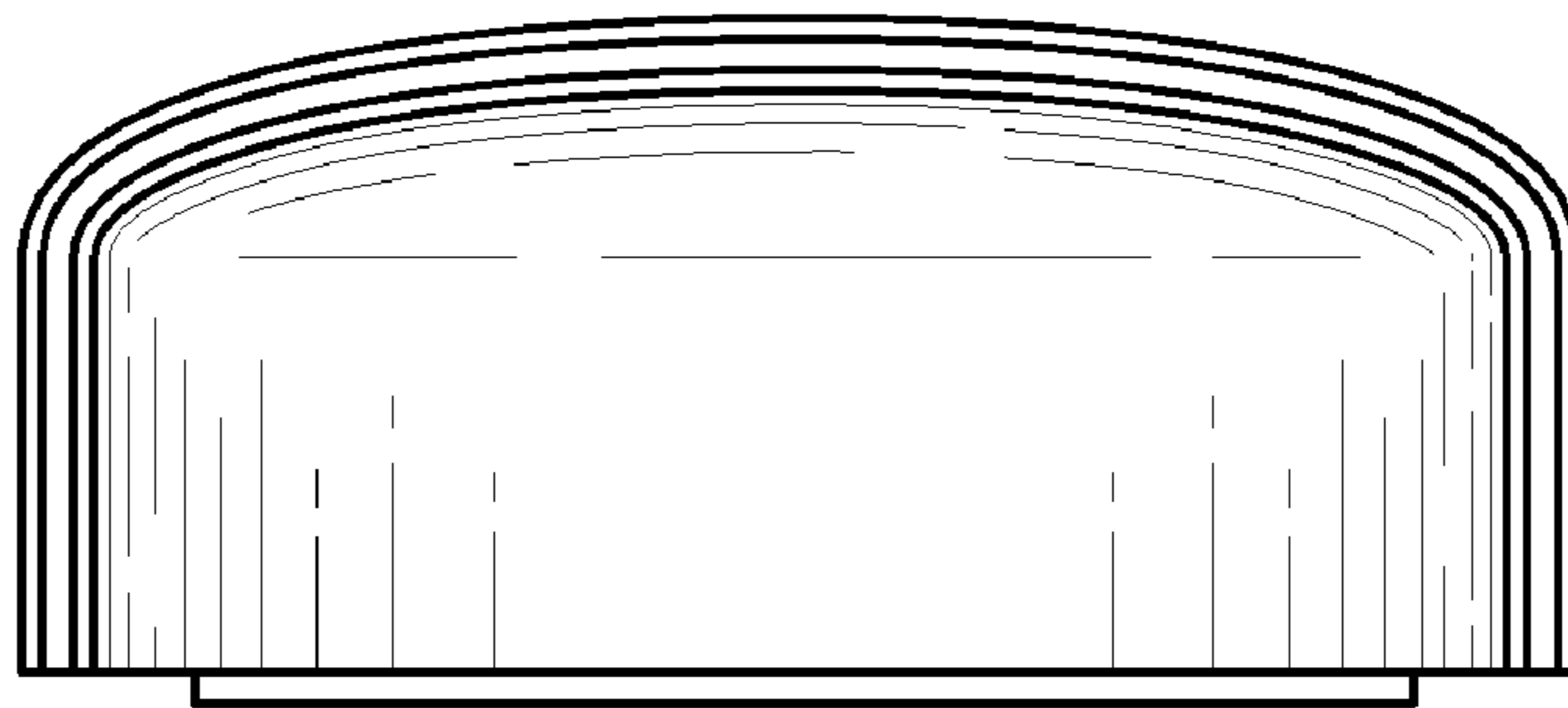


FIG. 7

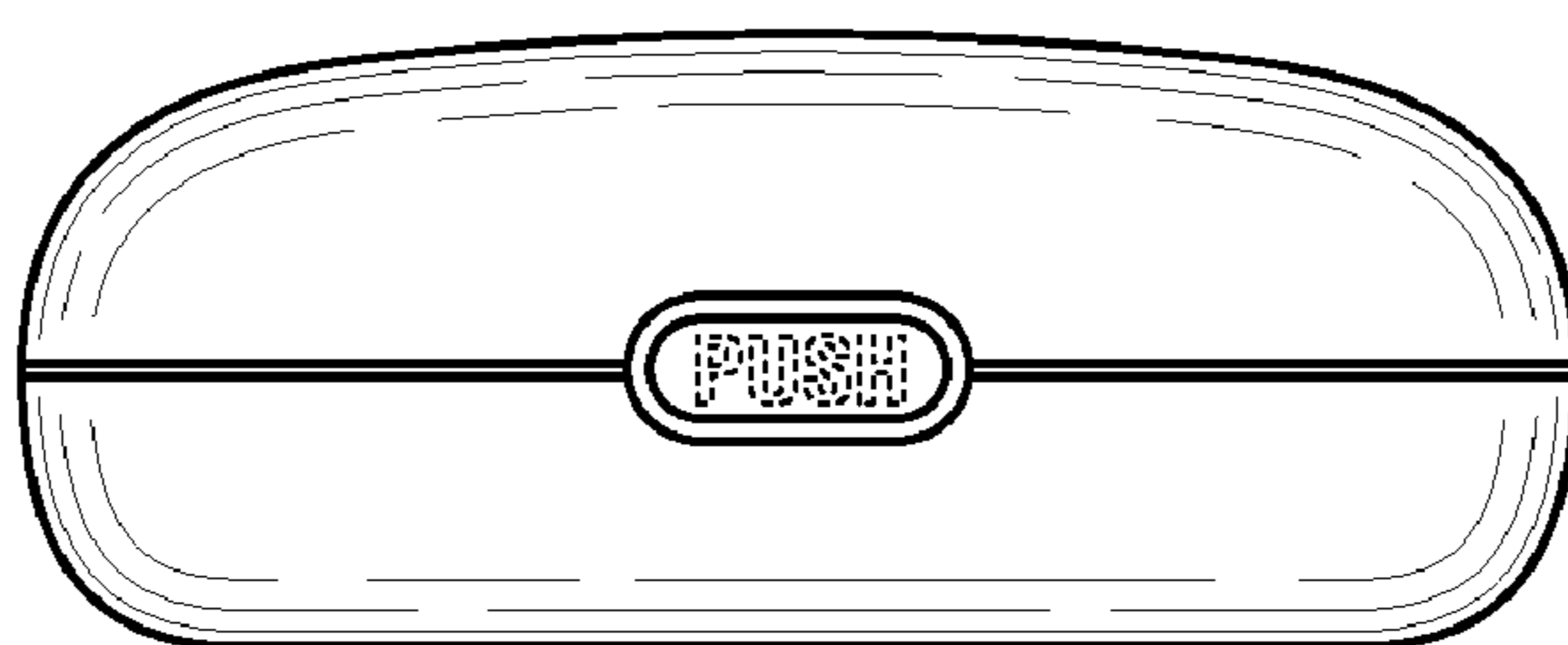


FIG. 8

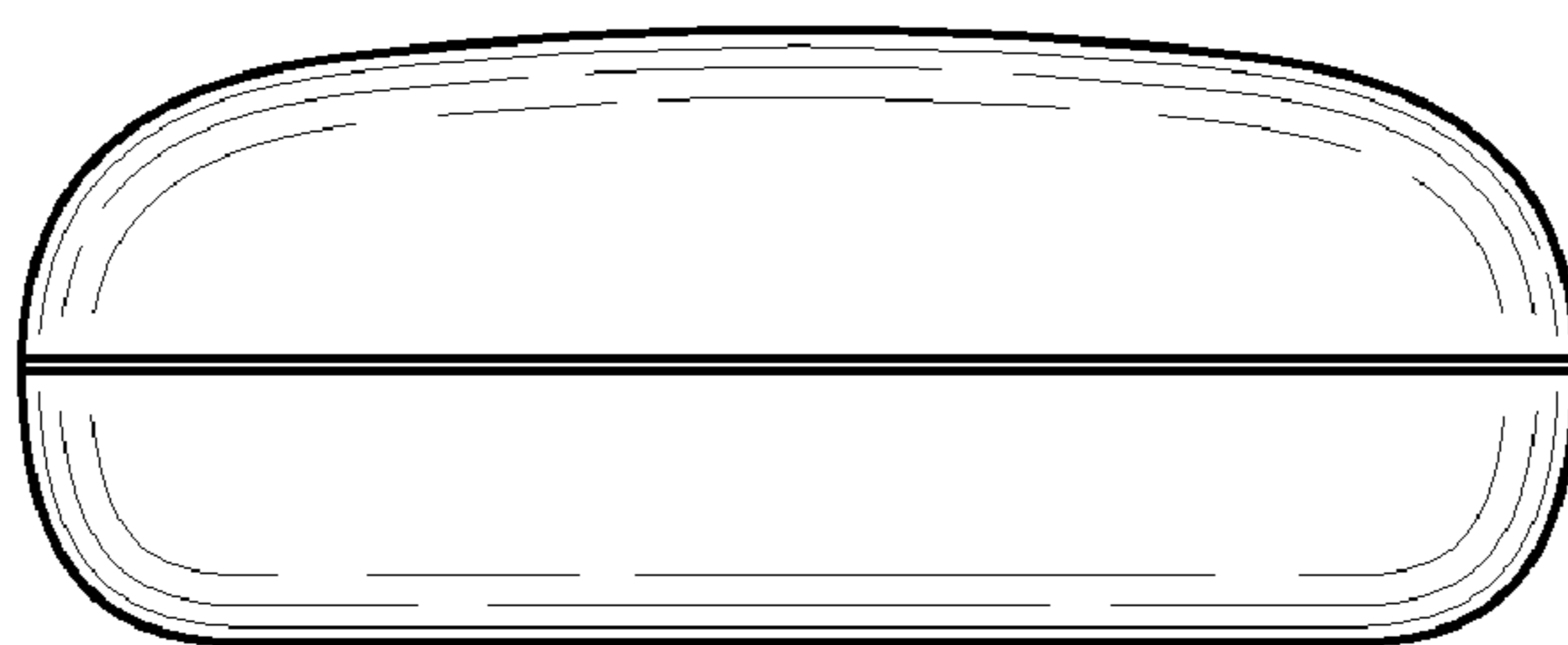


FIG. 9