



US00D620161S

(12) **United States Design Patent**  
**Kang et al.**

(10) **Patent No.:** **US D620,161 S**  
(45) **Date of Patent:** **\*\* Jul. 20, 2010**

(54) **LIGHTING DEVICE**

(75) Inventors: **Donwoong Kang**, Camillus, NY (US);  
**Scott W. Osiecki**, Skaneateles, NY (US);  
**David A. Spartano**, Brunswick, OH  
(US)

(73) Assignee: **Eveready Battery Company, Inc.**, St.  
Louis, MO (US)

(\*\*) Term: **14 Years**

(21) Appl. No.: **29/353,538**

(22) Filed: **Jan. 11, 2010**

(51) **LOC (9) Cl.** ..... **26-02**

(52) **U.S. Cl.** ..... **D26/45**

(58) **Field of Classification Search** ..... D26/37,  
D26/38, 46, 49, 40, 42, 51, 45; 362/157,  
362/158, 183, 190, 194-208

See application file for complete search history.

(56) **References Cited**

**U.S. PATENT DOCUMENTS**

D136,756 S \* 11/1943 Barash ..... D26/37  
D154,627 S \* 7/1949 Peterlin et al. .... D26/38  
2,534,179 A \* 12/1950 Peterson et al. .... 362/190  
D281,818 S \* 12/1985 Zurwelle ..... D26/37  
D420,156 S \* 2/2000 Poon ..... D26/38  
D421,143 S \* 2/2000 Kovacik et al. .... D26/42

D445,925 S \* 7/2001 Parker ..... D26/37  
D500,875 S \* 1/2005 Parker et al. .... D26/42  
D513,811 S \* 1/2006 Lai ..... D26/42  
D605,795 S \* 12/2009 Baker et al. .... D26/44

\* cited by examiner

*Primary Examiner*—Charles A Rademaker

*Assistant Examiner*—Carissa C Fitts

(74) *Attorney, Agent, or Firm*—Gregory J. Adams

(57) **CLAIM**

We claim the ornamental design for a lighting device, as shown and described.

**DESCRIPTION**

FIG. 1 is a front perspective view of the lighting device.

FIG. 2 is a rear perspective view of the lighting device.

FIG. 3 is a left side view of the lighting device. The right side view is a mirror image of the left side view.

FIG. 4 is a front view of the lighting device.

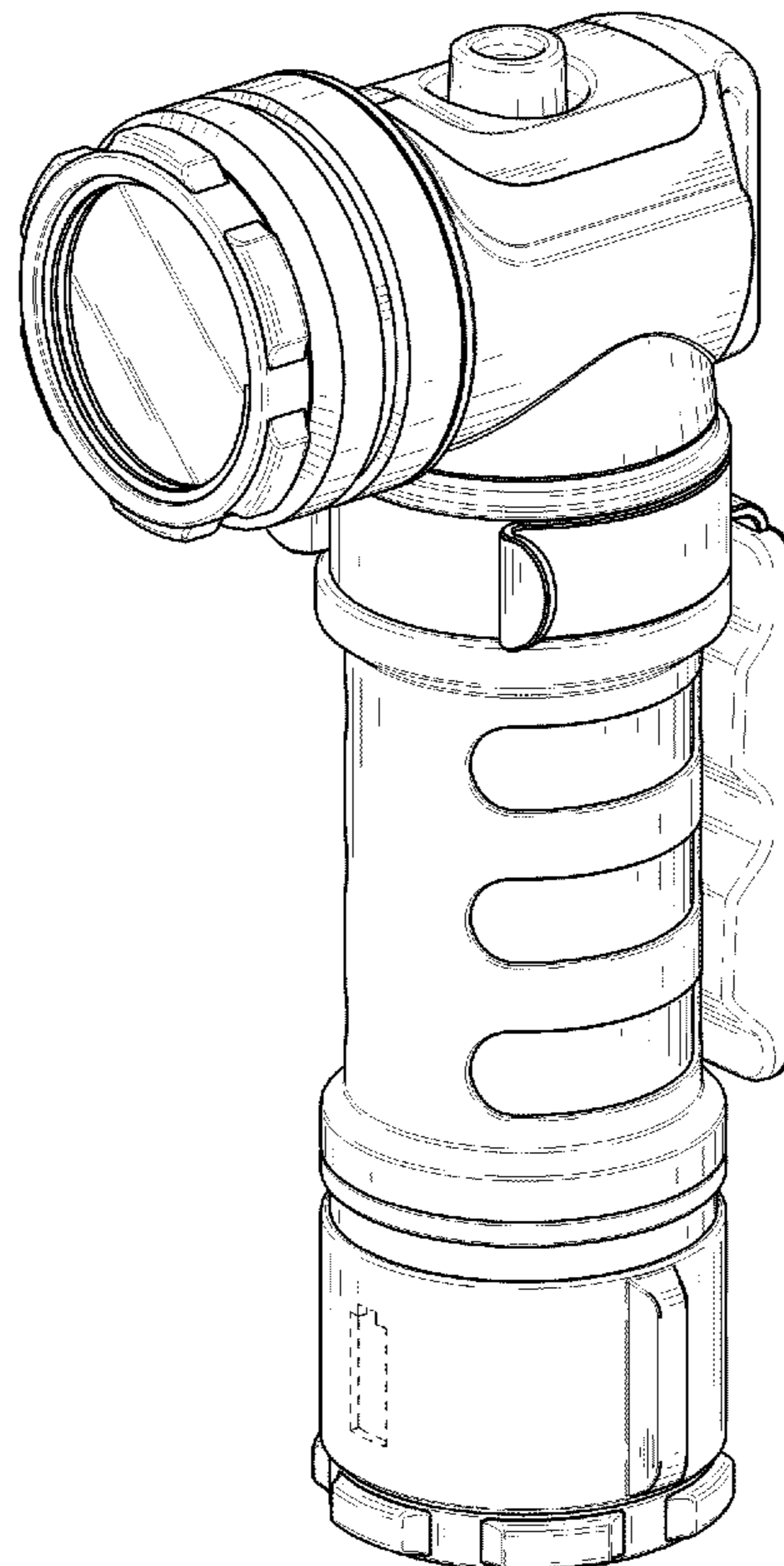
FIG. 5 is a rear view of the lighting device.

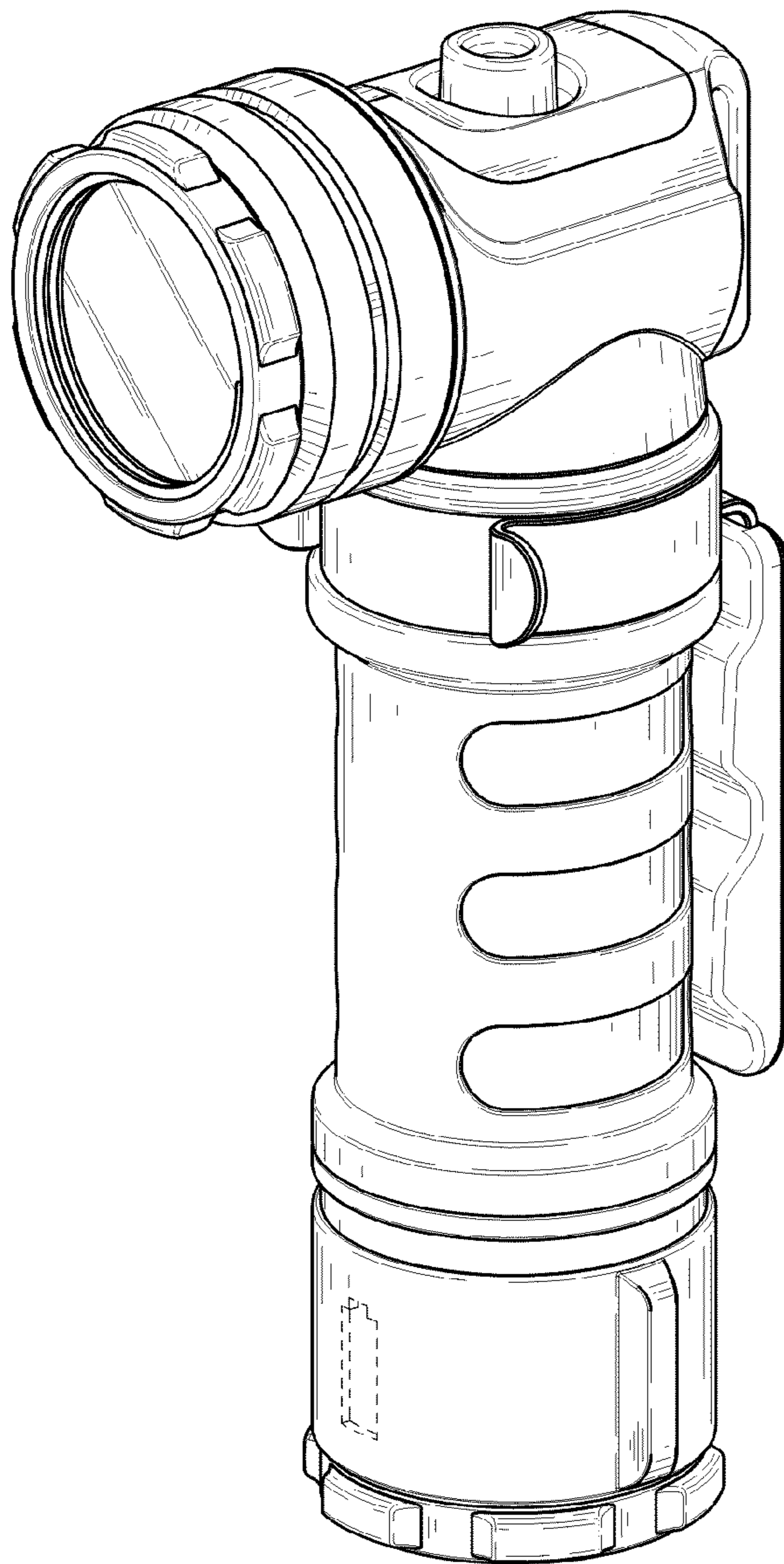
FIG. 6 is a top view of the lighting device; and,

FIG. 7 is a bottom view of the lighting device.

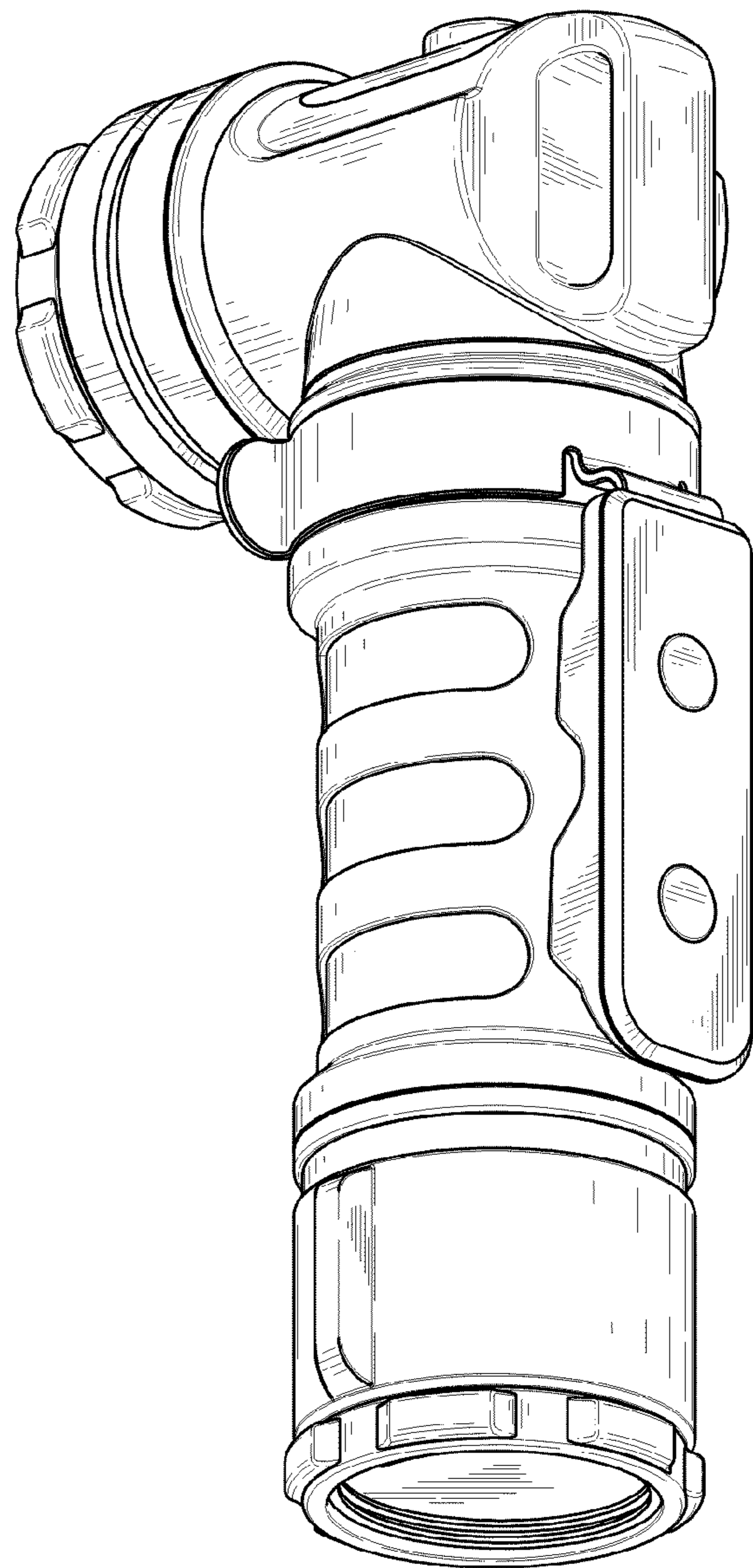
Any broken line(s) shown are for illustrative purposes only and form no part of the claimed design.

**1 Claim, 4 Drawing Sheets**

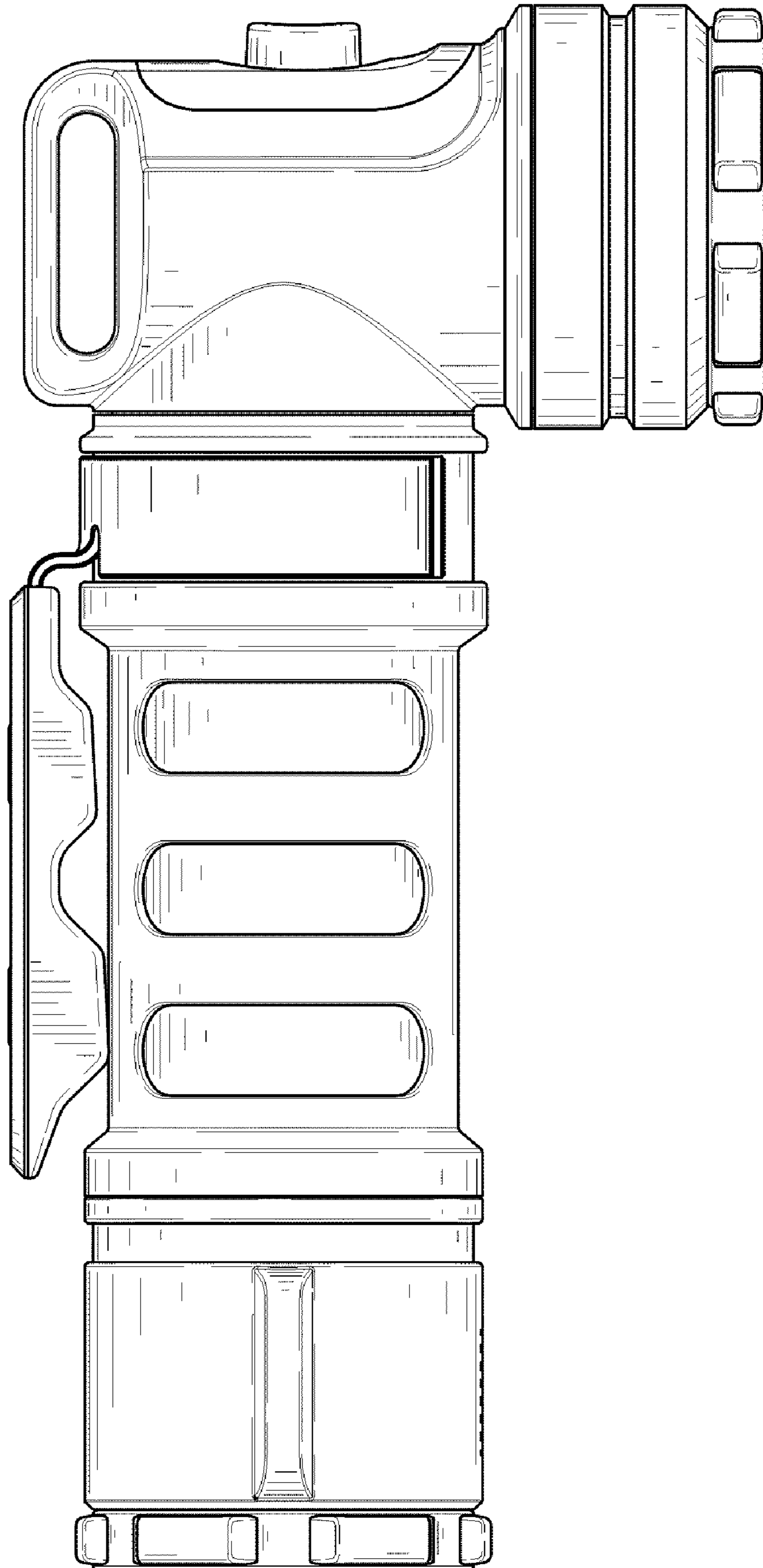




**Fig. 1**

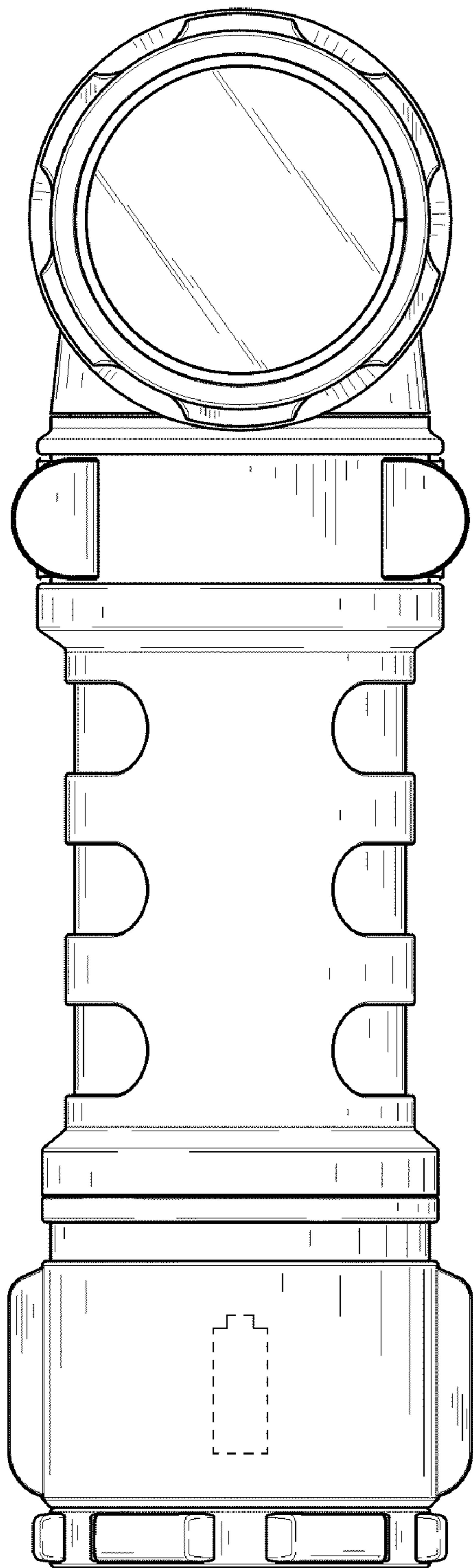


**Fig. 2**

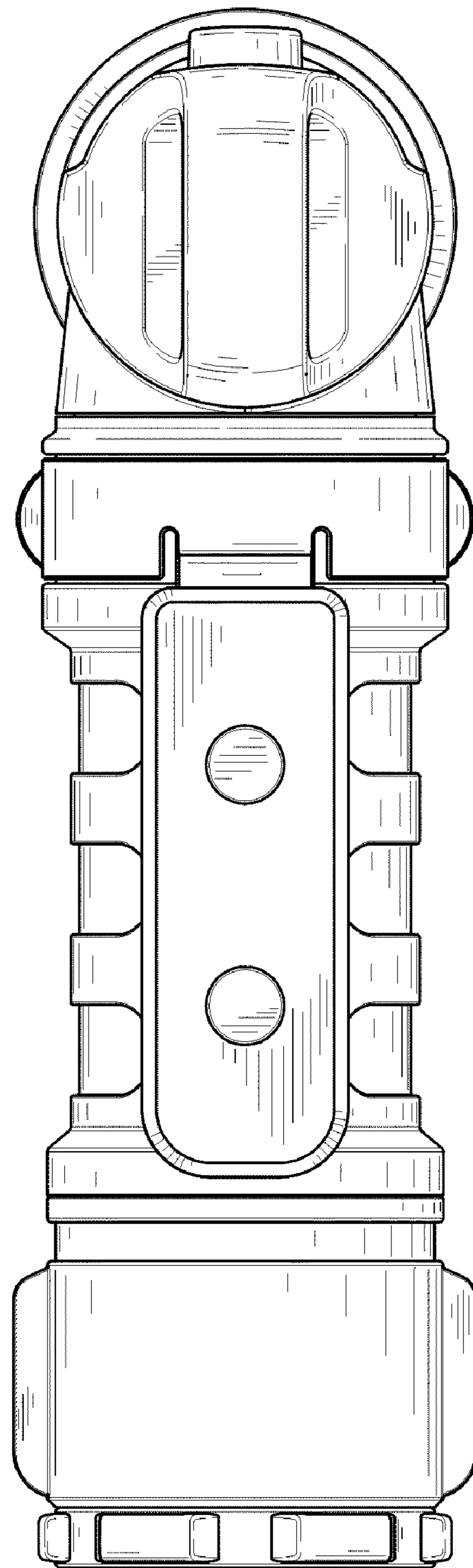


**Fig. 3**

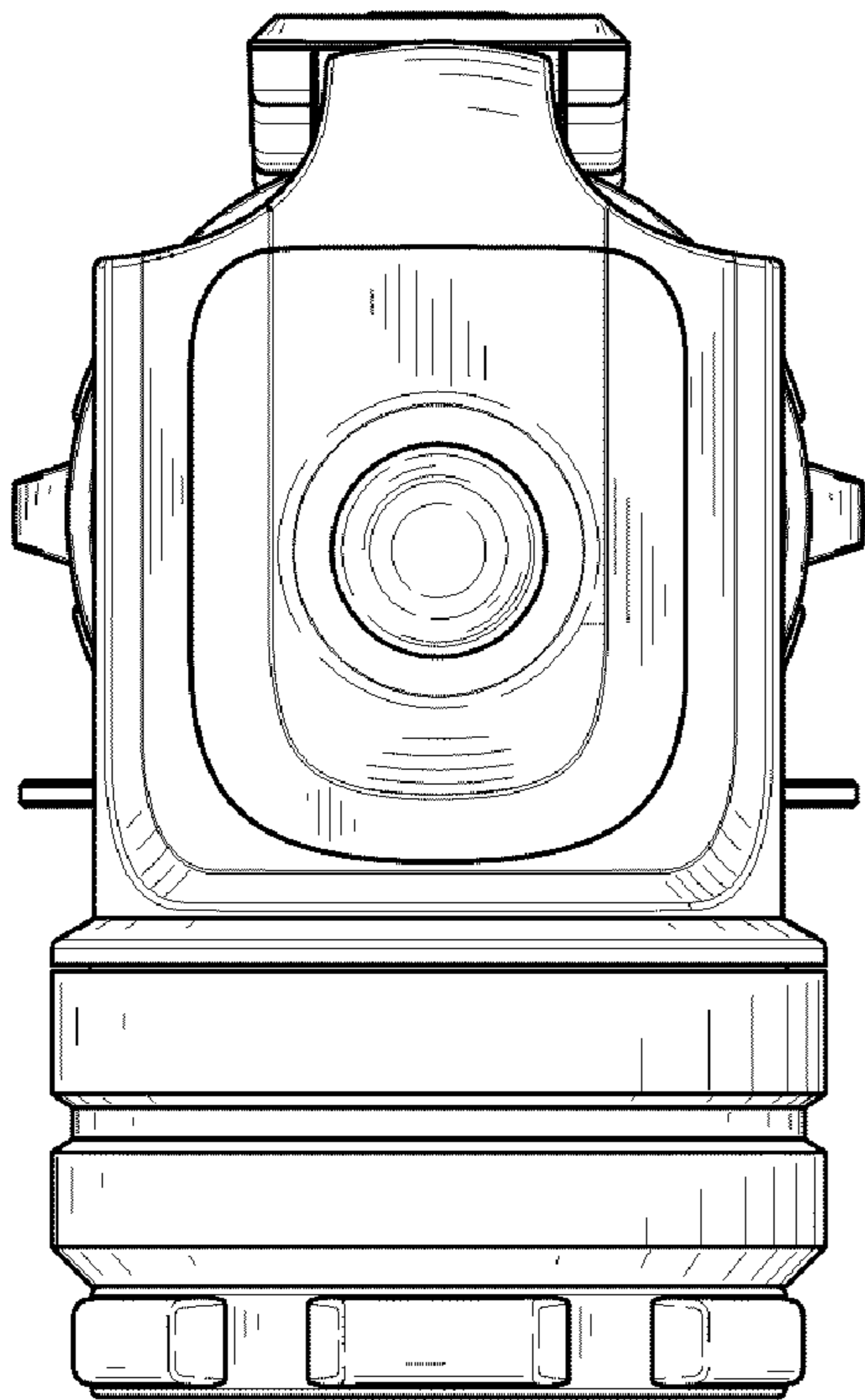




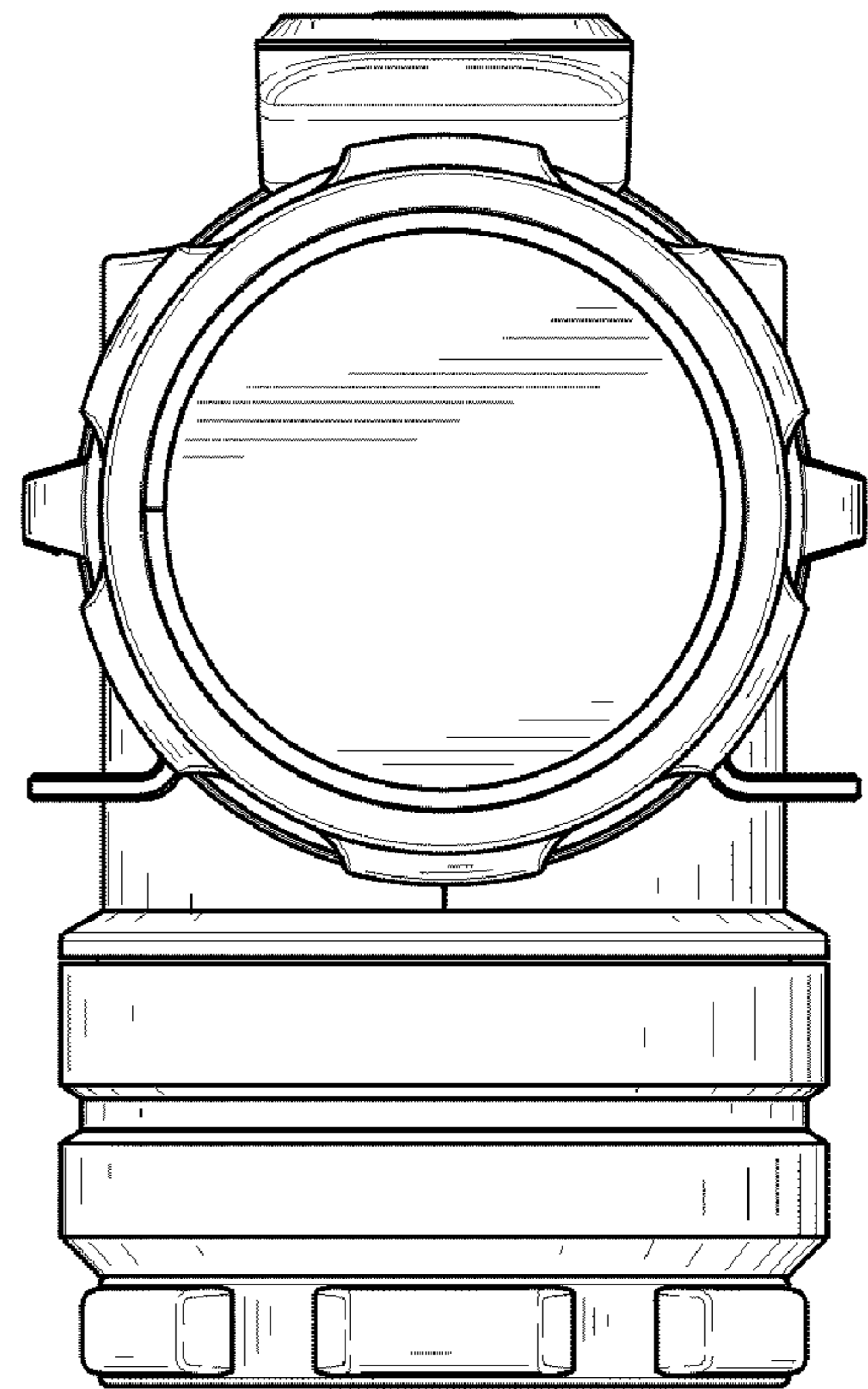
**Fig. 4**



**Fig. 5**



**Fig. 6**



**Fig. 7**