



US00D620160S

(12) **United States Design Patent**  
**Kang et al.**

(10) **Patent No.:** **US D620,160 S**  
(45) **Date of Patent:** **\*\* Jul. 20, 2010**

(54) **LIGHTING DEVICE**

(75) Inventors: **Donwoong Kang**, Camillus, NY (US);  
**Ronald J. Kingston**, Syracuse, NY (US)

(73) Assignee: **Eveready Battery Company, Inc.**, St. Louis, MO (US)

(\*\*) Term: **14 Years**

(21) Appl. No.: **29/353,969**

(22) Filed: **Jan. 18, 2010**

(51) **LOC (9) Cl.** ..... **26-02**

(52) **U.S. Cl.** ..... **D26/39**

(58) **Field of Classification Search** ..... D26/39,  
D26/37, 38, 46, 49; 362/103, 105, 108, 157,  
362/158, 183, 184, 194–196, 200–208  
See application file for complete search history.

(56) **References Cited**

**U.S. PATENT DOCUMENTS**

D577,842 S *	9/2008	Kumthampinij et al. ....	D26/39
D614,786 S *	4/2010	Lee .....	D26/39
D615,225 S *	5/2010	DeBrunner .....	D26/39
D615,678 S *	5/2010	DeBrunner .....	D26/39

\* cited by examiner

*Primary Examiner*—Charles A Rademaker  
*Assistant Examiner*—Carissa C Fitts

(74) *Attorney, Agent, or Firm*—Gregory J. Adams

(57) **CLAIM**

We claim the ornamental design for a lighting device, as shown and described.

**DESCRIPTION**

FIG. 1 is a front perspective view of the lighting device with the strap attached.

FIG. 2 is a rear perspective view of the lighting device with the strap attached.

FIG. 3 is a second front perspective view of the lighting device.

FIG. 4 is a second rear perspective view of the lighting device.

FIG. 5 is a front view of the lighting device.

FIG. 6 is a rear view of the lighting device.

FIG. 7 is a top view of the lighting device.

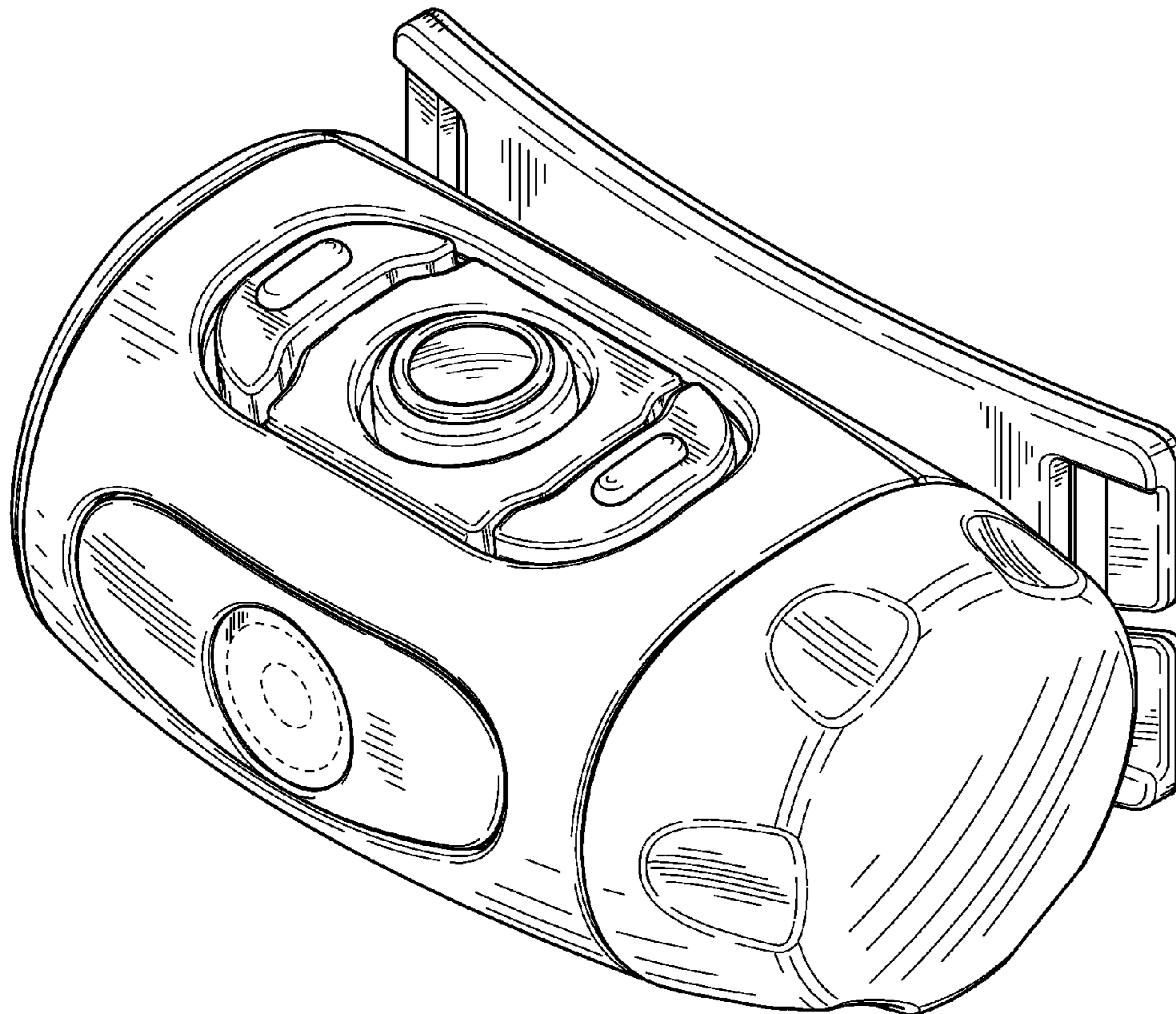
FIG. 8 is a bottom view of the lighting device.

FIG. 9 is a left side view of the lighting device; and,

FIG. 10 is a right side view of the lighting device.

Any broken line(s) shown are for illustrative purposes only and form no part of the claimed design.

**1 Claim, 5 Drawing Sheets**



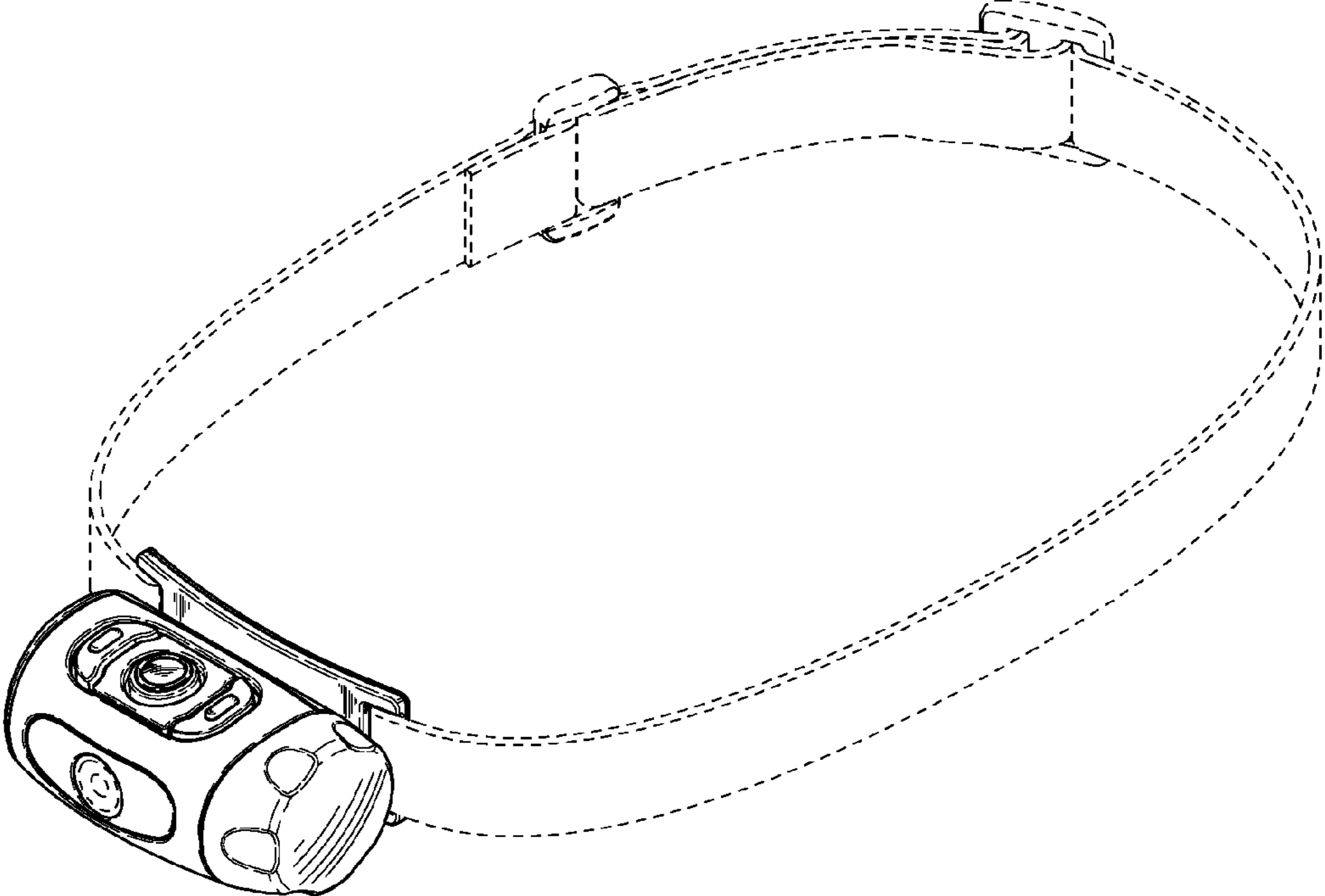


Fig. 1

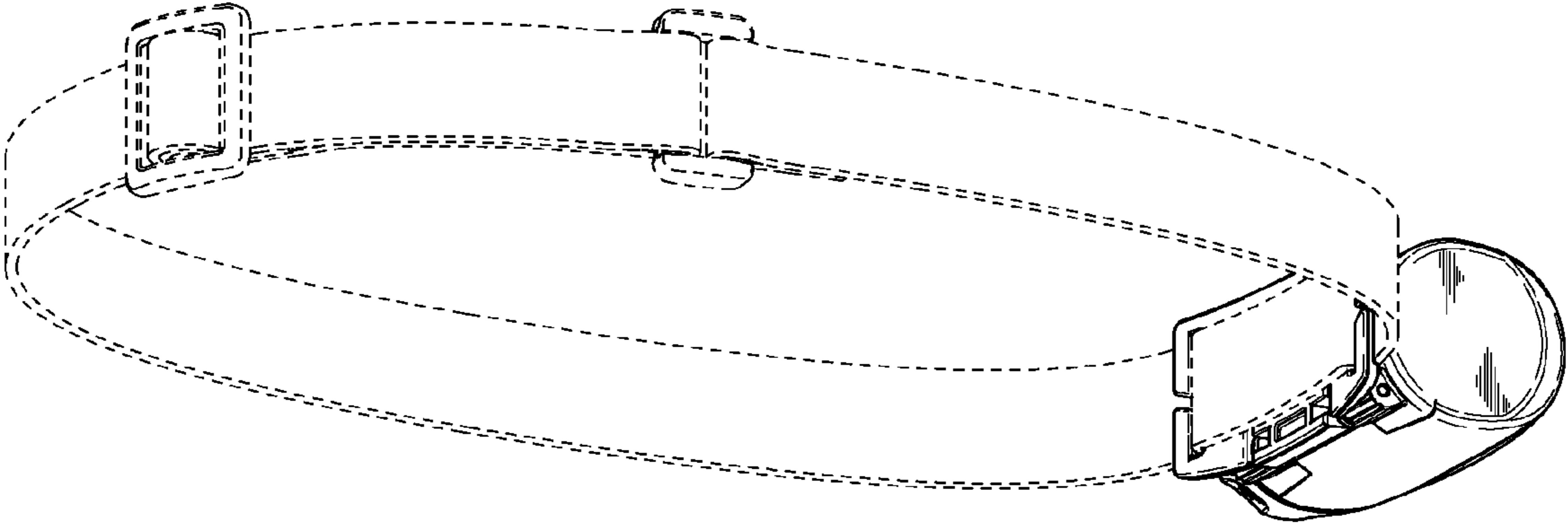
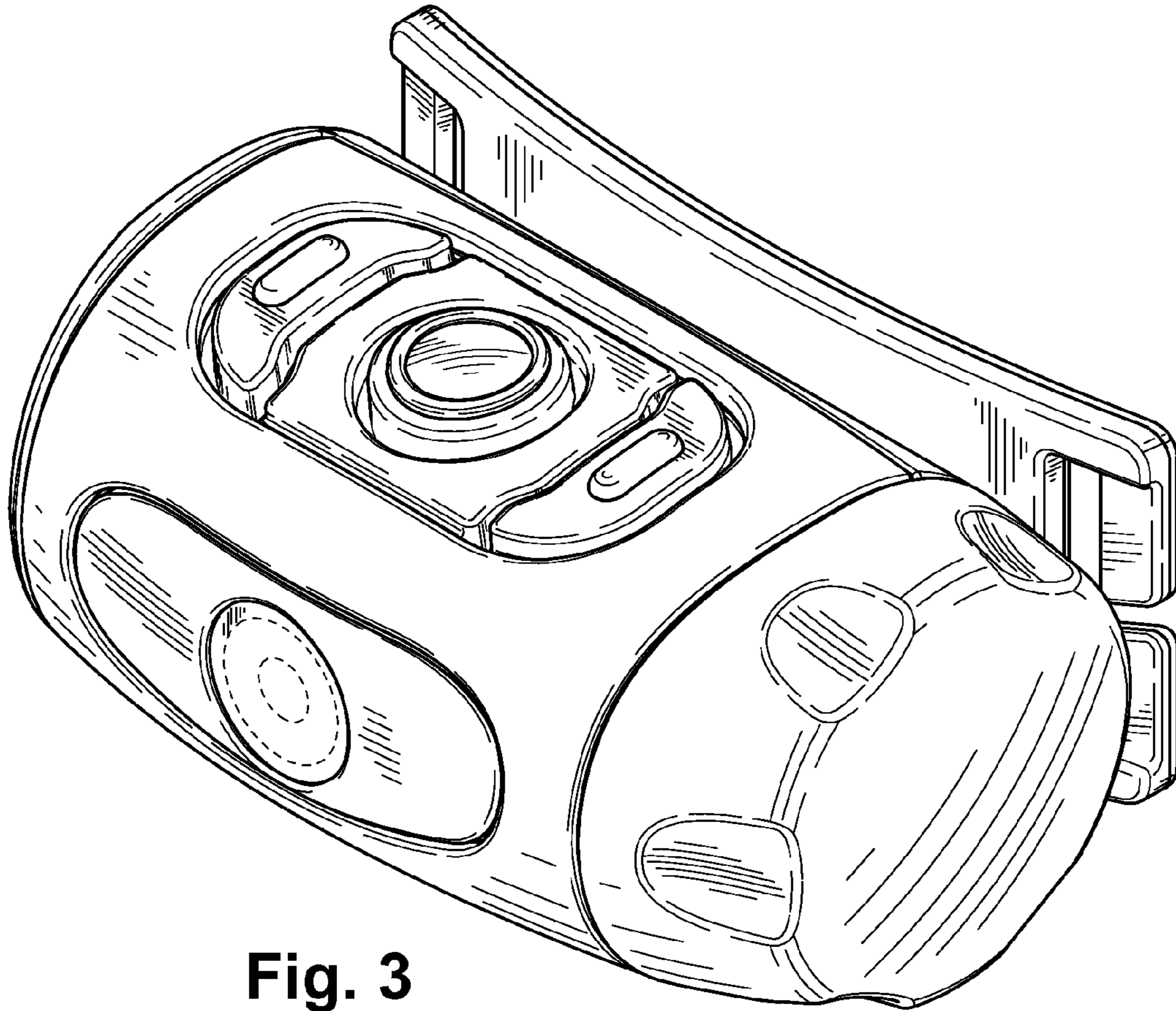
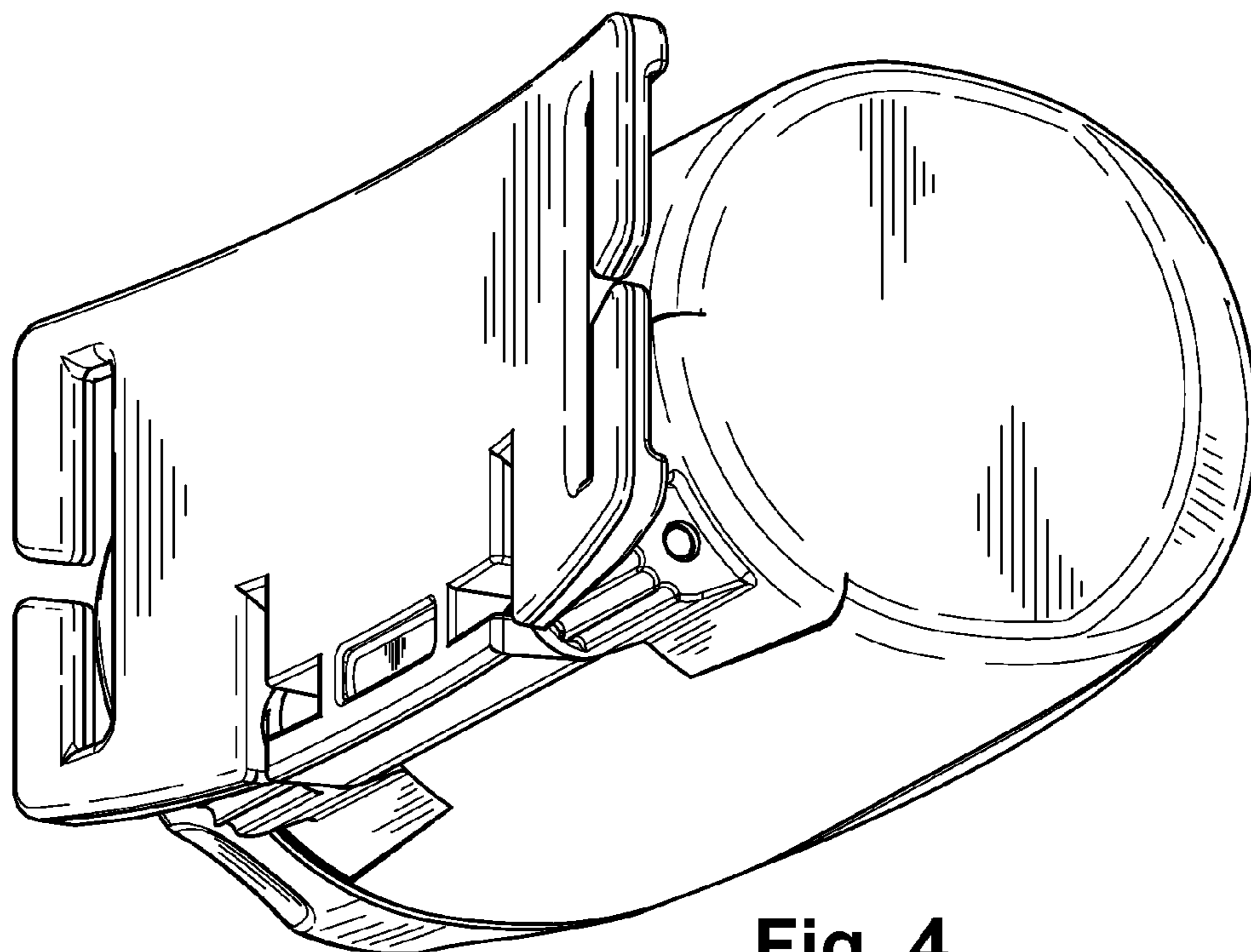


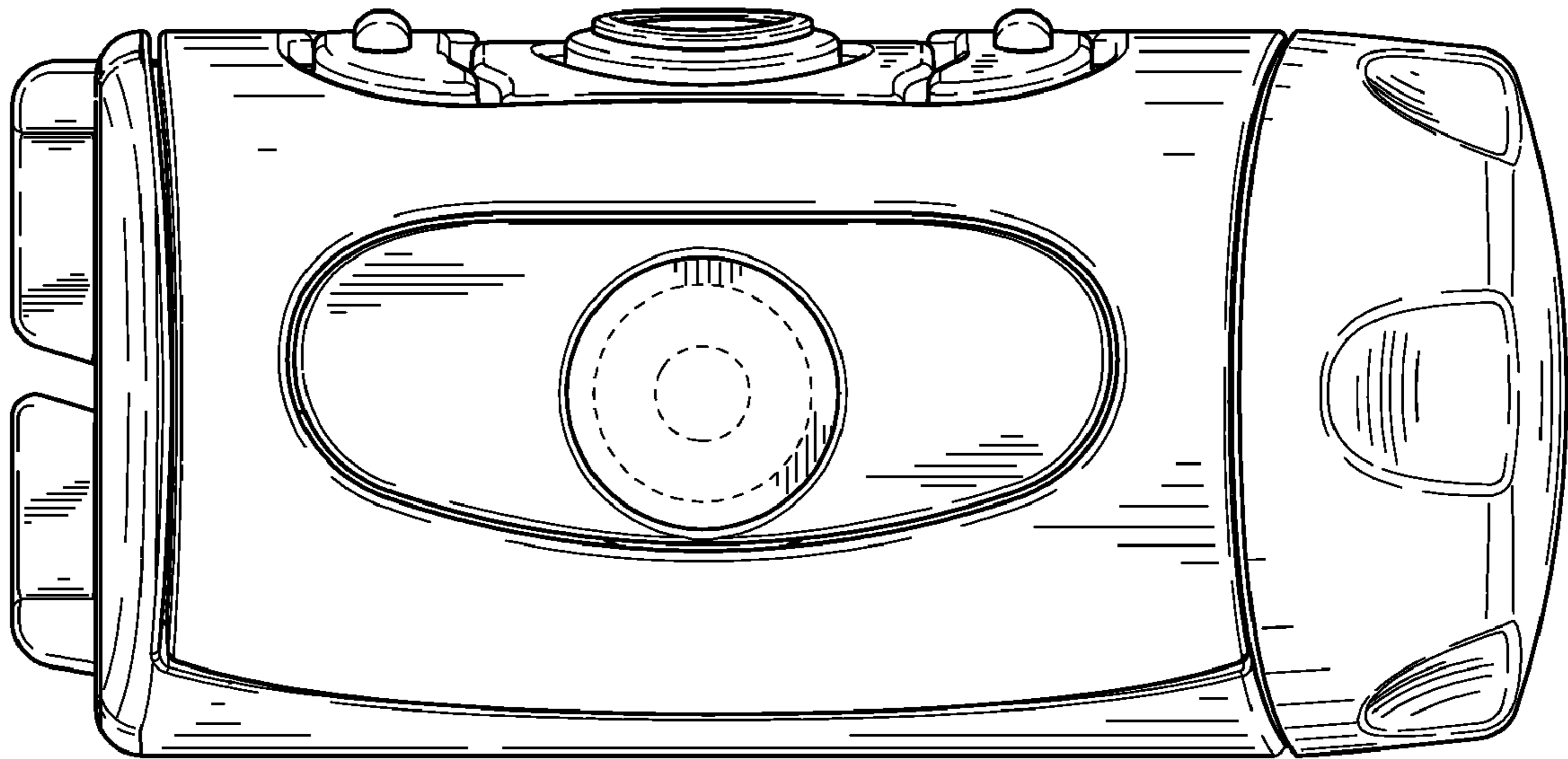
Fig. 2



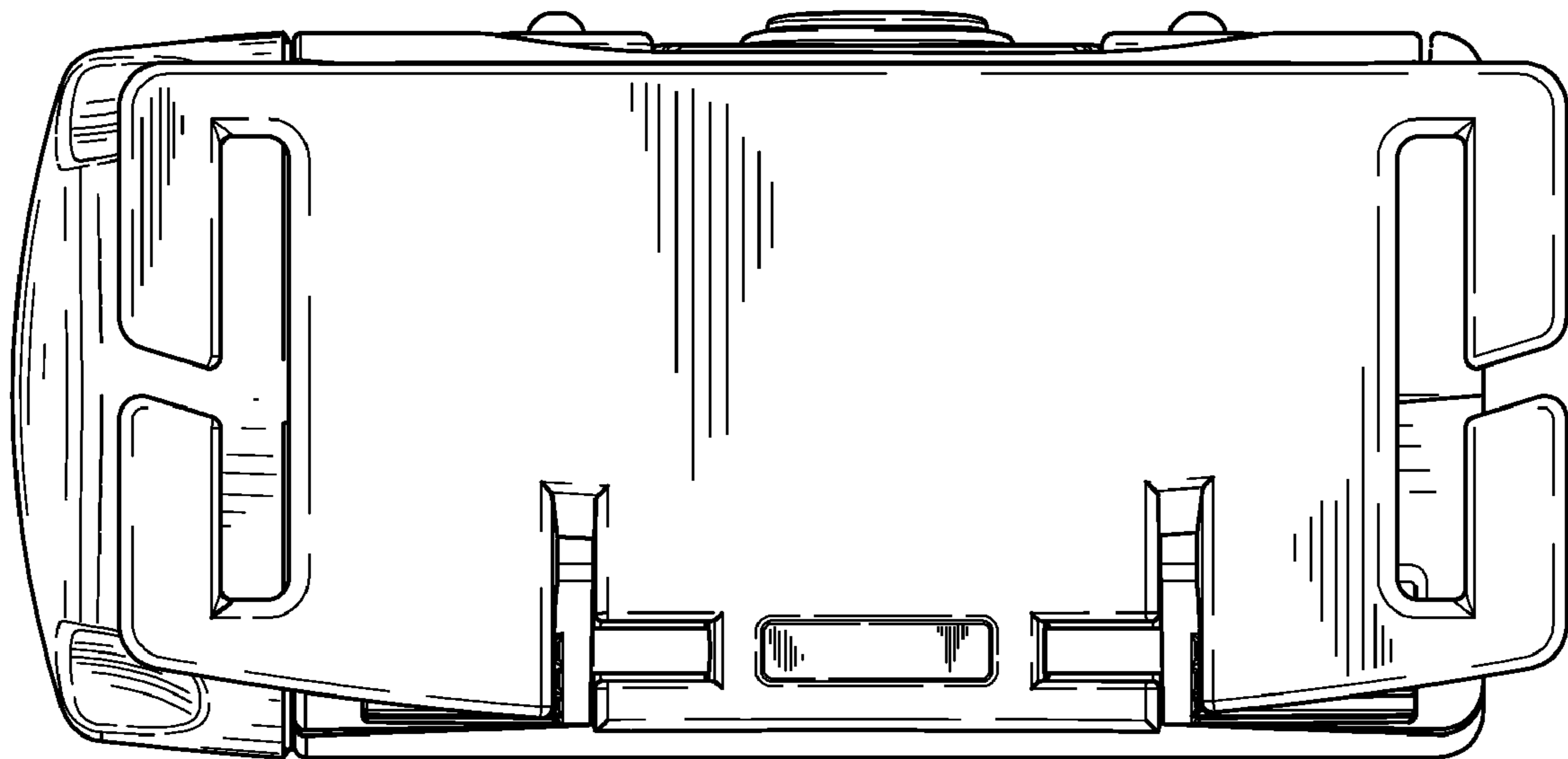
**Fig. 3**



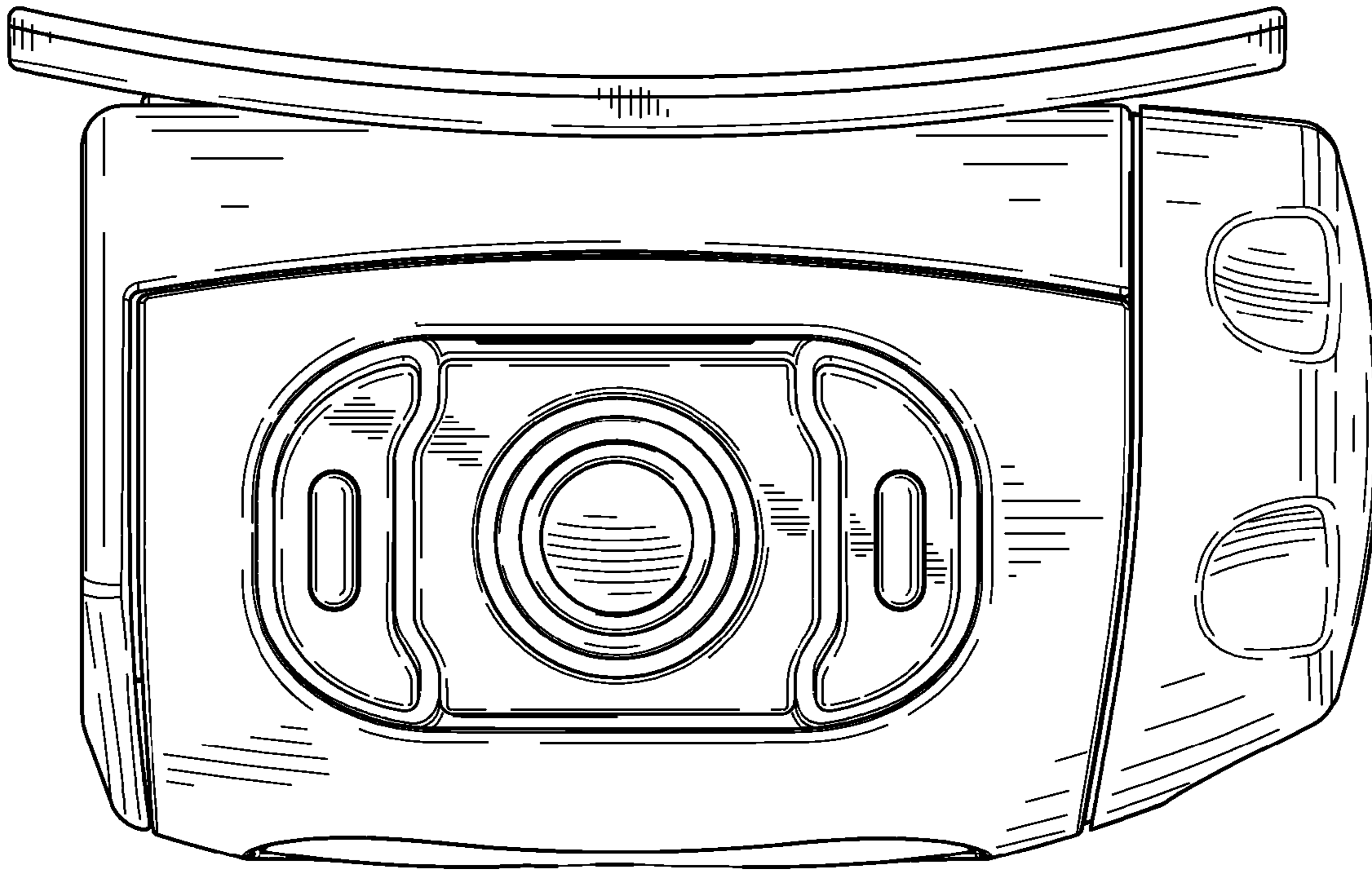
**Fig. 4**



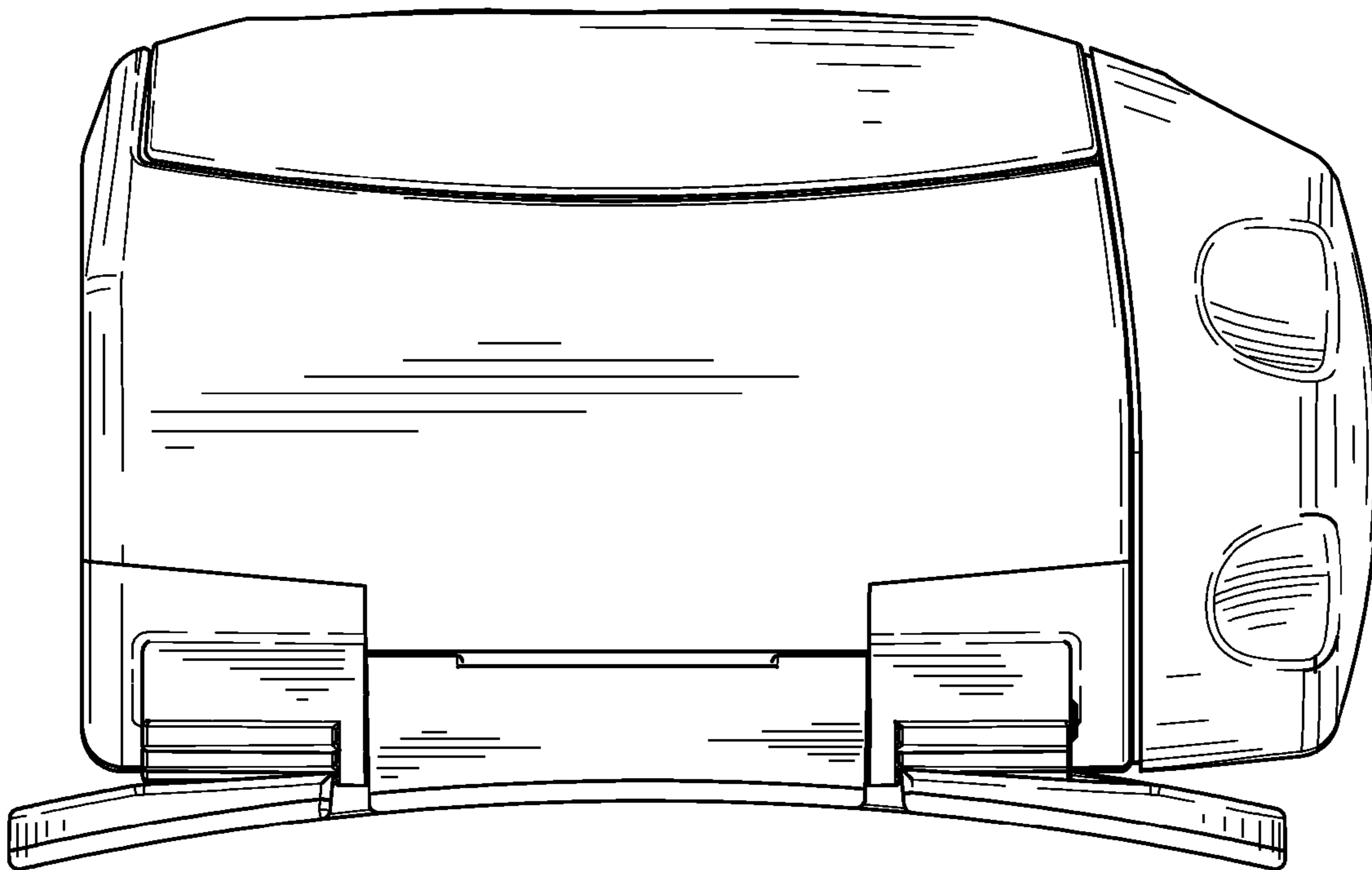
**Fig. 5**



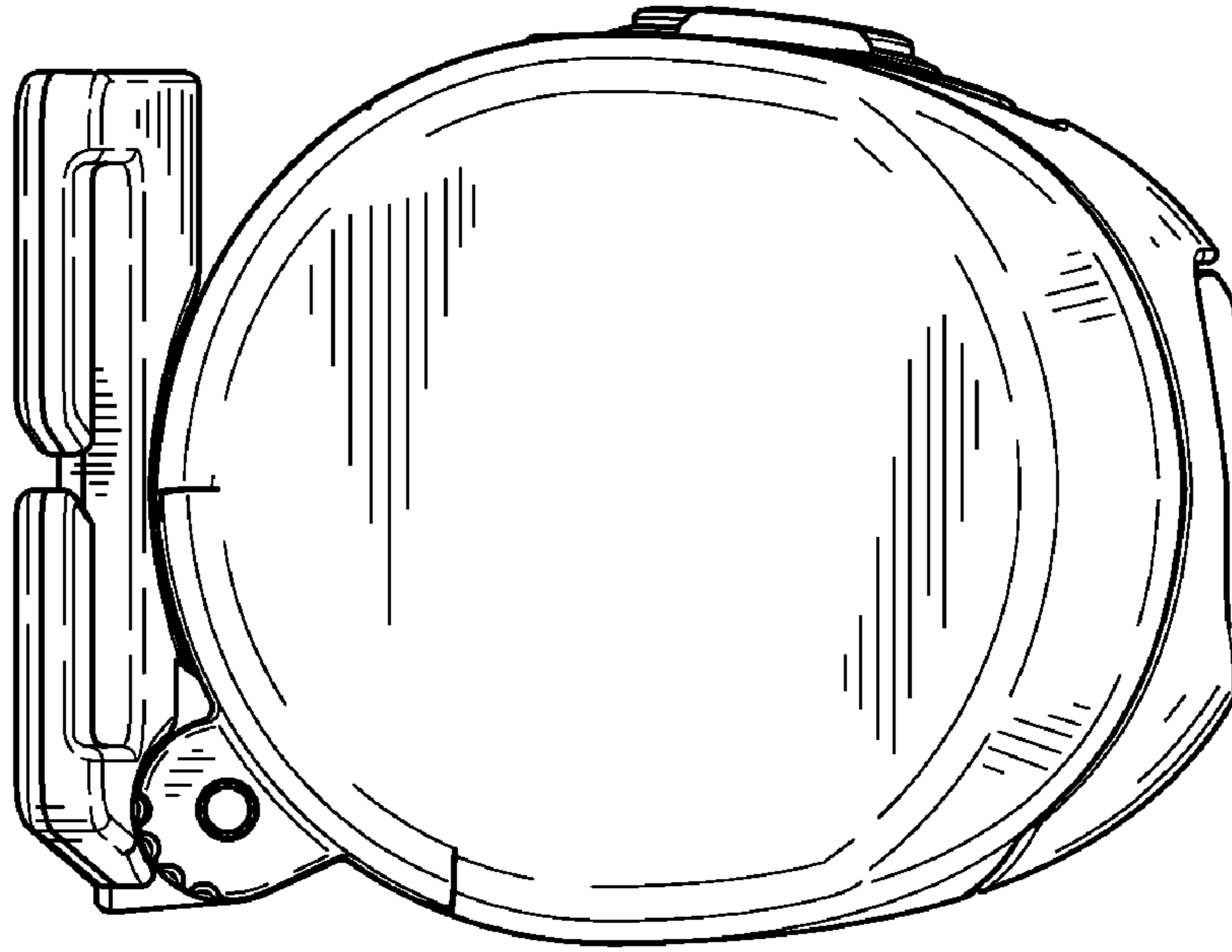
**Fig. 6**



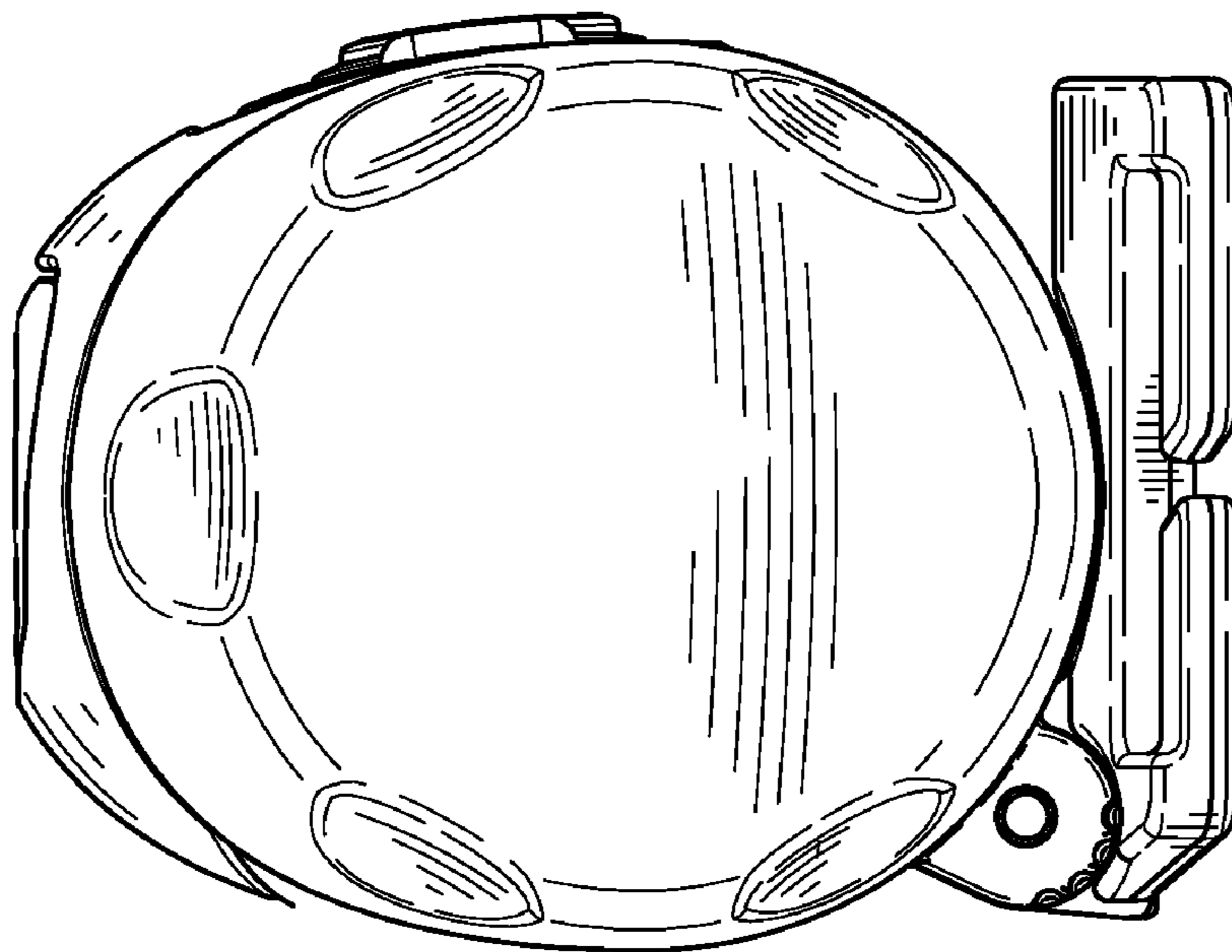
**Fig. 7**



**Fig. 8**



**Fig. 9**



**Fig. 10**