



US00D620159S

(12) **United States Design Patent**  
**Beigel et al.**

(10) **Patent No.:** **US D620,159 S**

(45) **Date of Patent:** **\*\* Jul. 20, 2010**

(54) **TOP MARKER LIGHT OF A TRUCK VEHICLE**

(75) Inventors: **David J. Beigel**, Payne, OH (US); **William Ratliff**, Commerce Township, MI (US); **Ronald E. Schoon**, Fort Wayne, MI (US); **Anthony Lynn Schroeder**, Leo, IN (US); **Kris K. Timmerman**, Huntertown, IN (US); **Robert Scott Tirey**, Fort Wayne, IN (US); **Bruce Youngs**, Novi, MI (US); **Pradhan Subhransu**, Akurdi, IN (US); **Dale Beever**, Laguna Nigel, CA (US)

(73) Assignee: **Mehindra Navistar Automotives Limited** (IN)

(\*\*) Term: **14 Years**

(21) Appl. No.: **29/342,610**

(22) Filed: **Aug. 28, 2009**

(51) **LOC (9) Cl.** ..... **26-06**

(52) **U.S. Cl.** ..... **D26/28**

(58) **Field of Classification Search** ..... D26/28-36;  
362/459-468, 475-478, 485-487  
See application file for complete search history.

(56) **References Cited**

**U.S. PATENT DOCUMENTS**

D578,233 S \* 10/2008 Chang ..... D26/28

D578,684 S \* 10/2008 Marquardt ..... D26/28  
D590,967 S \* 4/2009 Huang ..... D26/28  
D592,780 S \* 5/2009 Calvin et al. .... D26/28  
D593,228 S \* 5/2009 Finn ..... D26/28  
D606,682 S \* 12/2009 Chang ..... D26/28

\* cited by examiner

*Primary Examiner*—Marcus A Jackson  
(74) *Attorney, Agent, or Firm*—Jeffrey P. Calfa; Mark C. Bach; Gerald W. Askew

(57) **CLAIM**

The ornamental design for a top marker light of a truck vehicle, as shown and described.

**DESCRIPTION**

FIG. 1 is a left, front perspective view of a top marker light of a truck vehicle showing our new design;

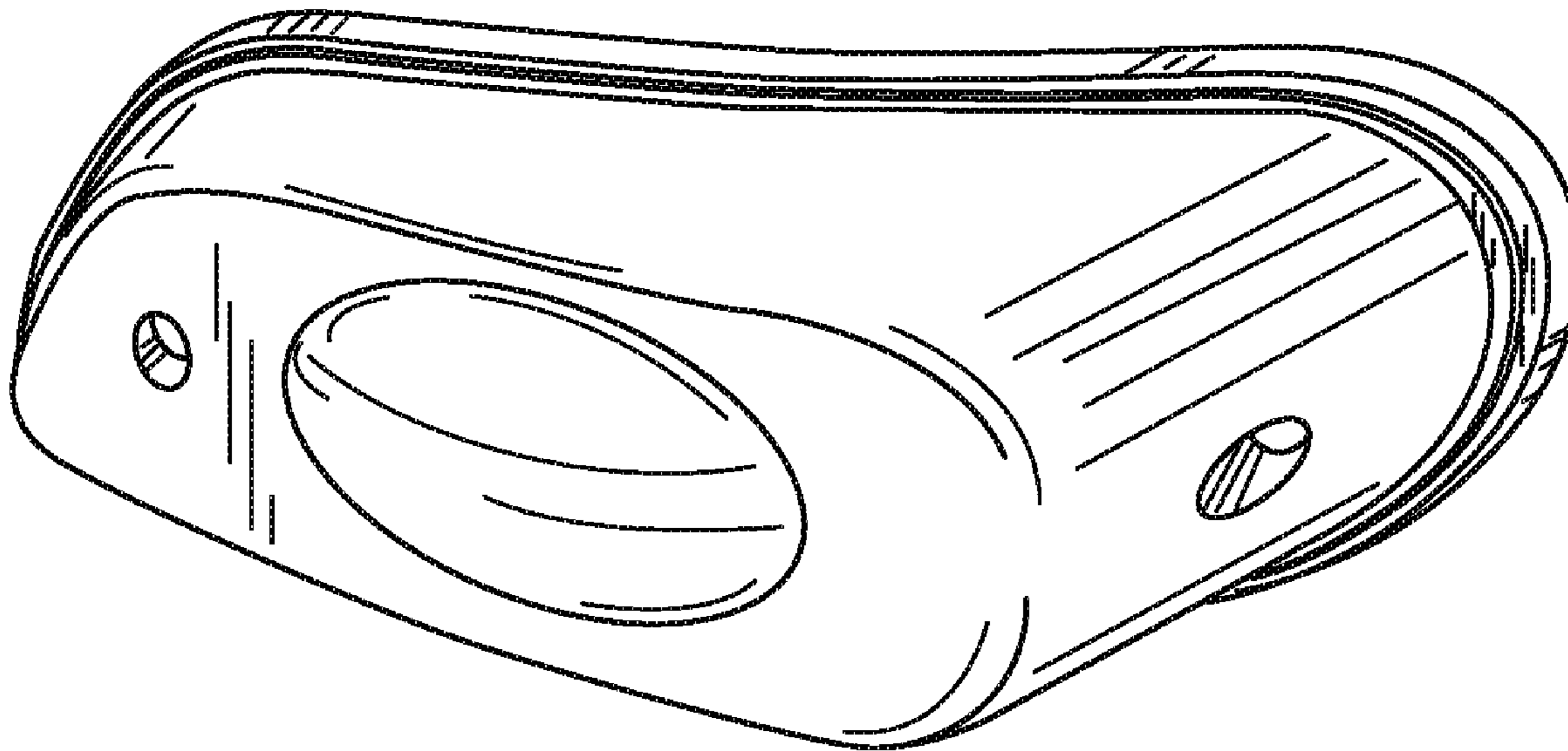
FIG. 2 is a top view thereof;

FIG. 3 is a right, front perspective view thereof;

FIG. 4 is a left view thereof; and,

FIG. 5 is a right view thereof.

**1 Claim, 2 Drawing Sheets**



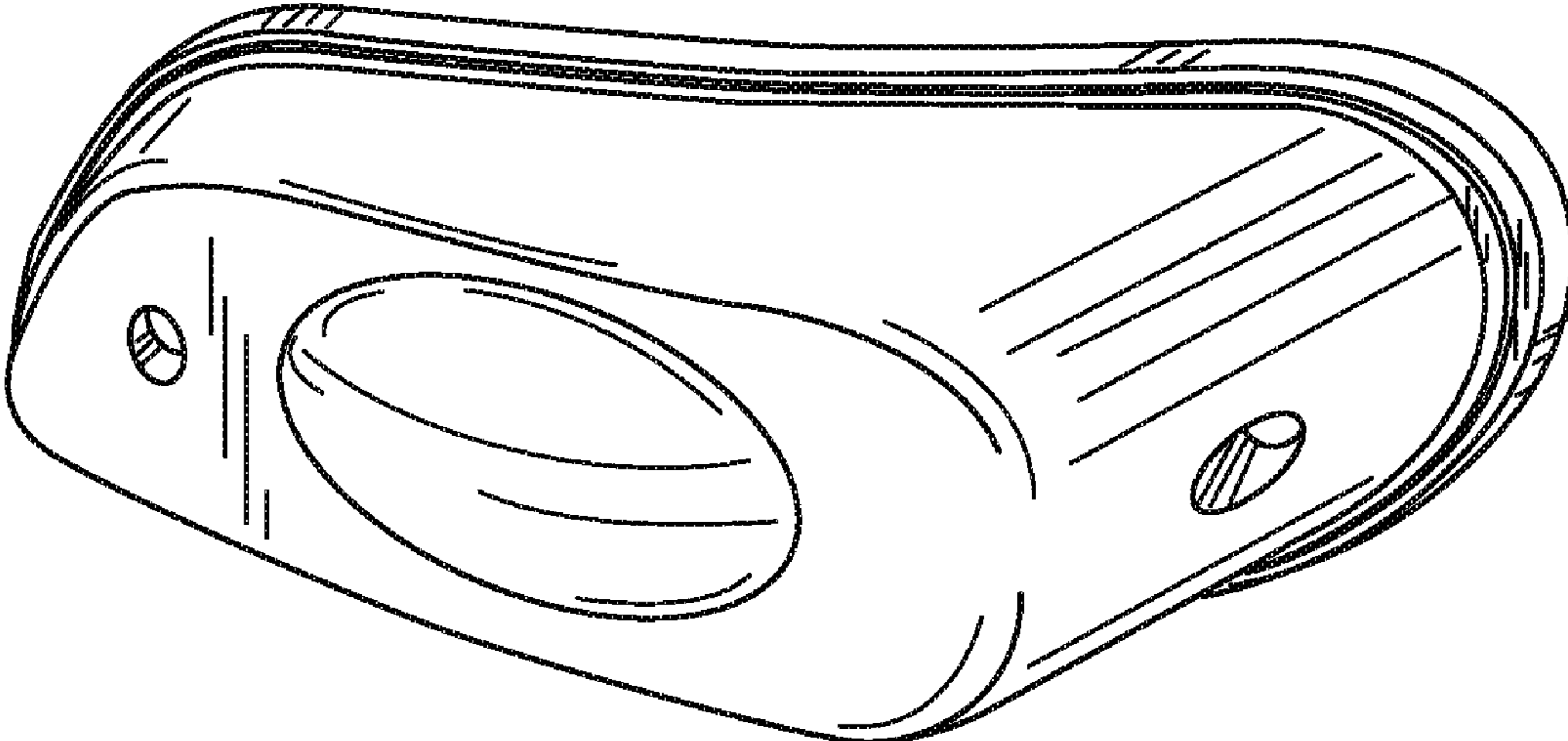


FIG. 1

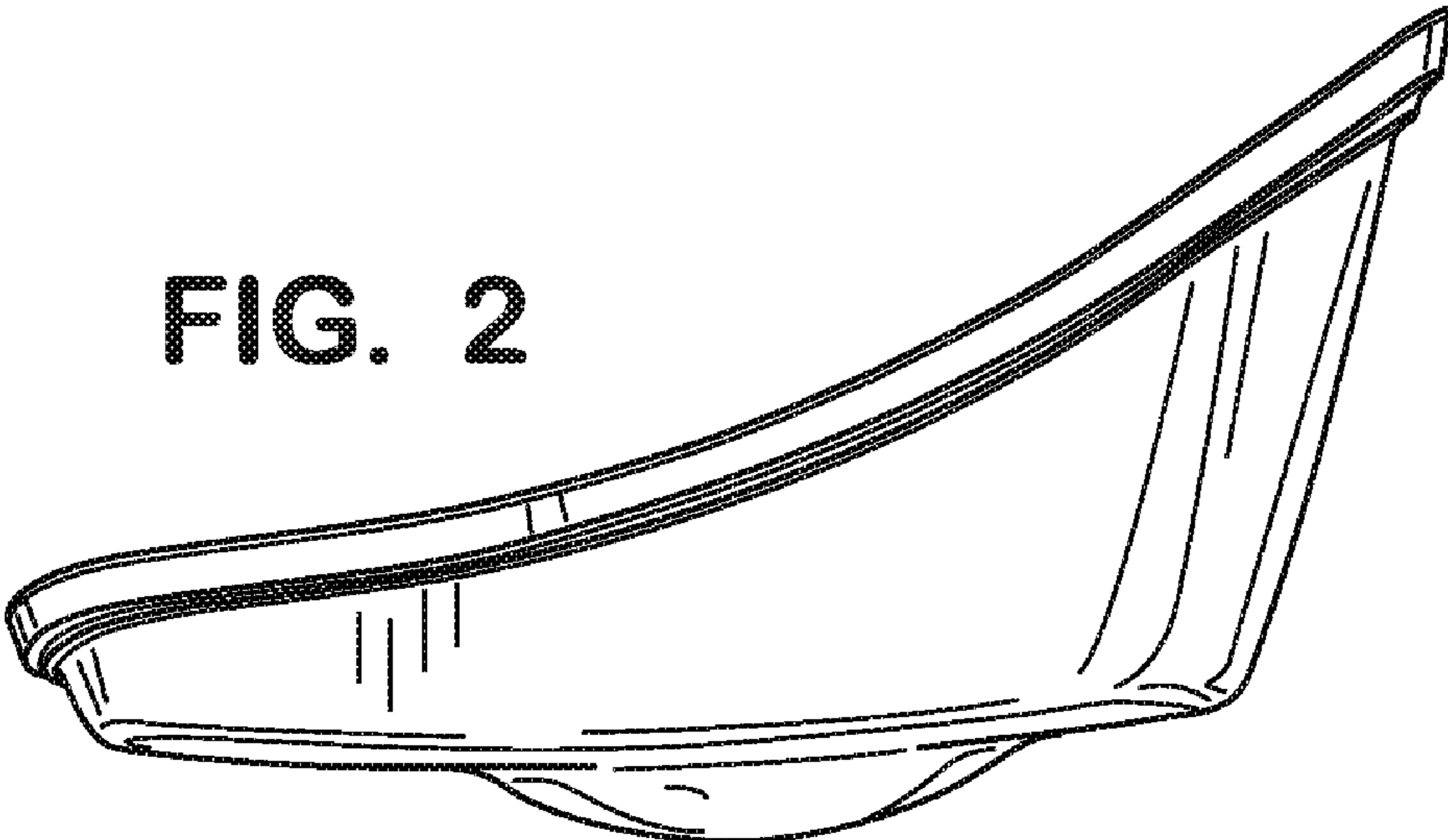
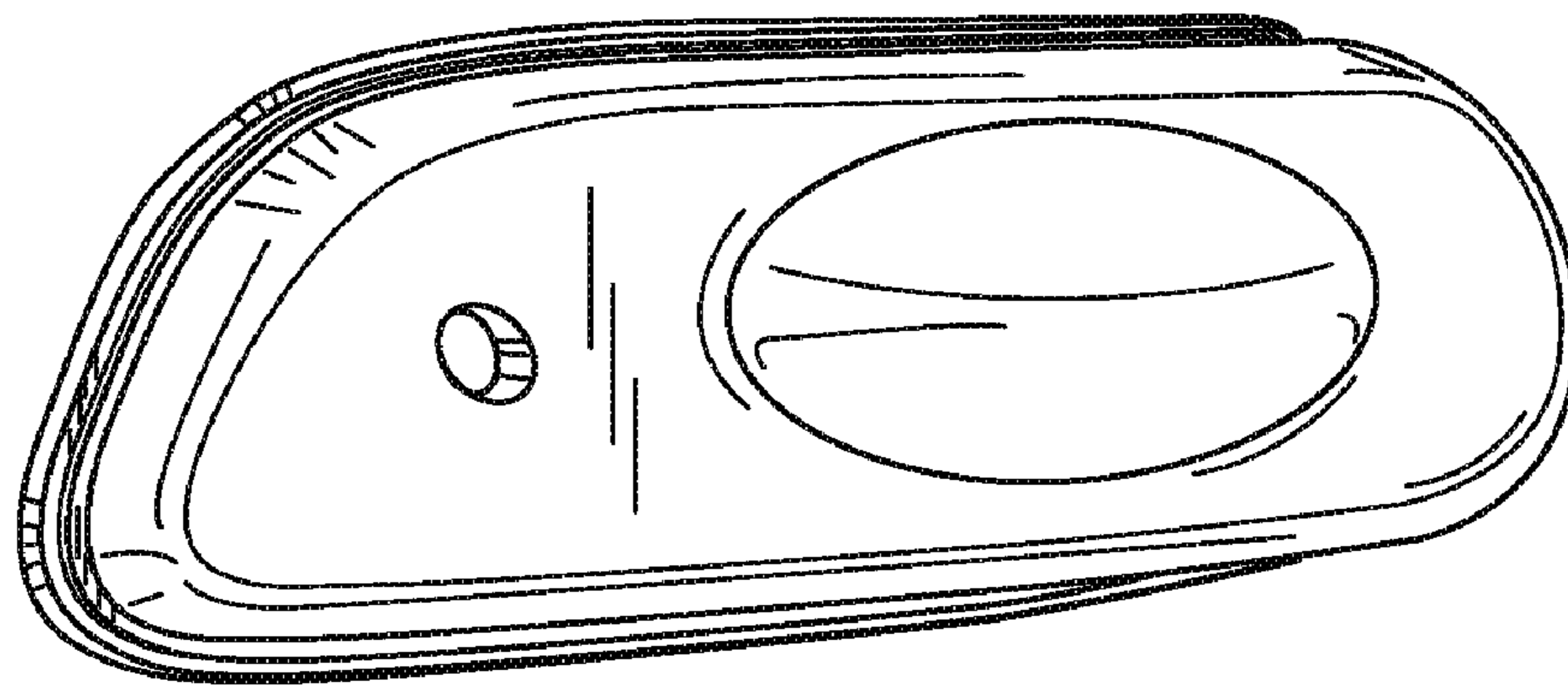
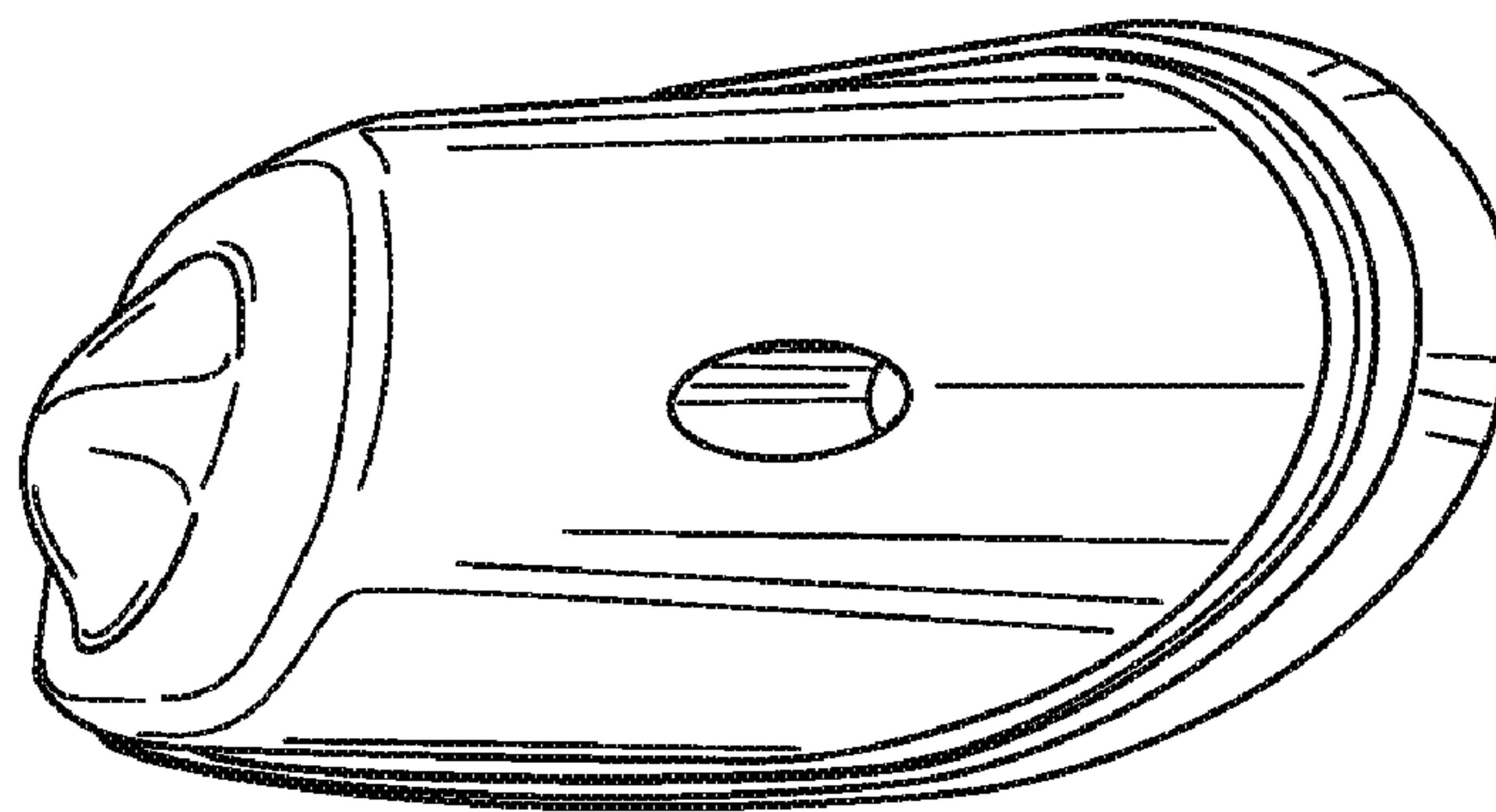


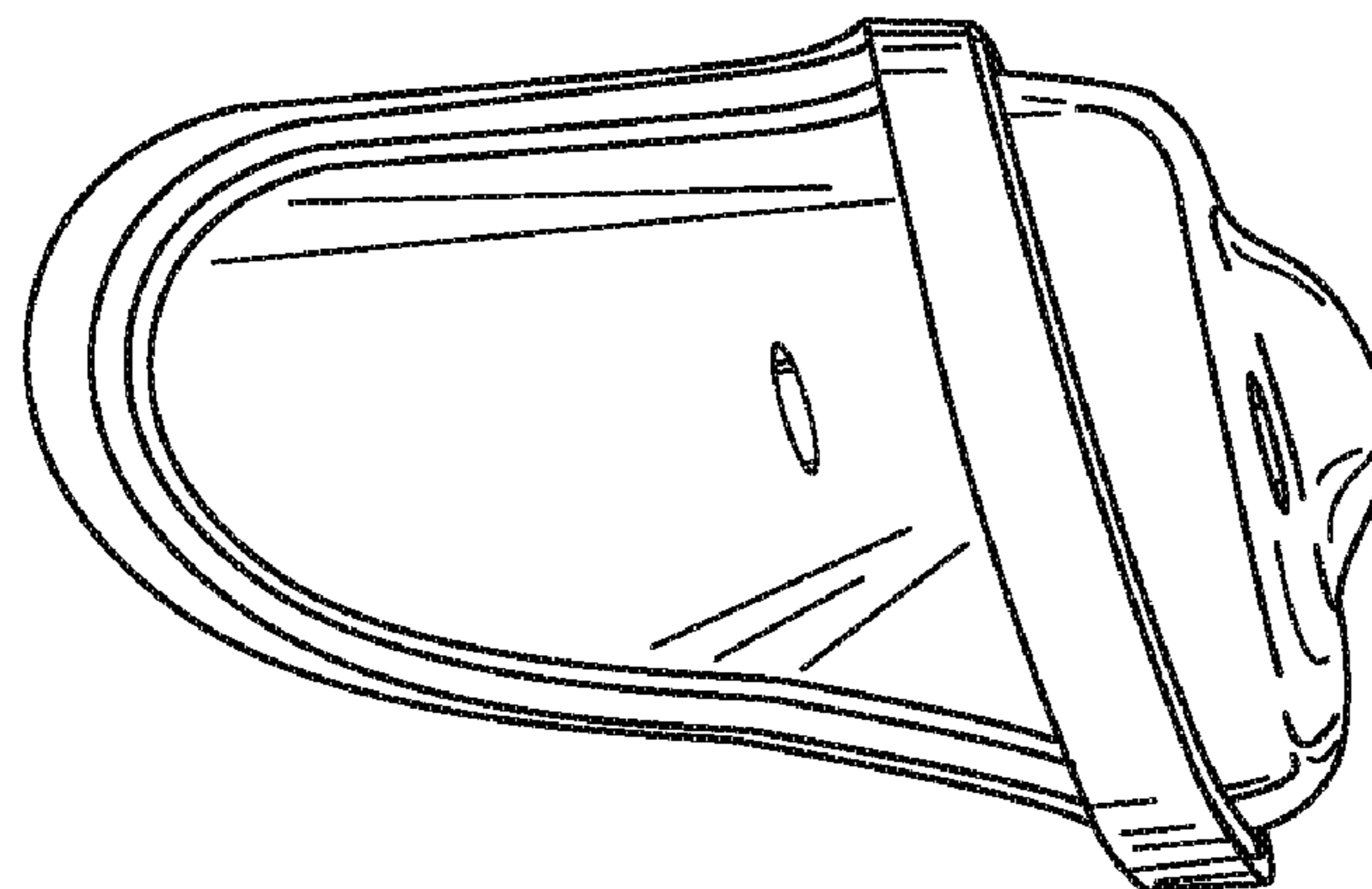
FIG. 2



**FIG. 3**



**FIG. 4**



**FIG. 5**