

US00D620152S

(12) **United States Design Patent**
Lai et al.

(10) **Patent No.:** **US D620,152 S**
(45) **Date of Patent:** **** Jul. 20, 2010**

(54) **LIGHT EMITTING DIODE LAMP**
(75) Inventors: **Chih-Ming Lai**, Miao-Li Hsien (TW);
Ming-Young Shiao, Miao-Li Hsien
(TW)

D570,504 S * 6/2008 Maxik et al. D26/2
D582,578 S * 12/2008 Tsai et al. D26/2
D594,995 S * 6/2009 Komar D26/2
D601,279 S * 9/2009 Ou et al. D26/2
D607,586 S * 1/2010 Ko D26/2

(73) Assignee: **Foxsemicon Integrated Technology, Inc.**, Chu-Nan, Miao-Li Hsien (TW)

* cited by examiner

(**) Term: **14 Years**

Primary Examiner—Marcus A Jackson
(74) *Attorney, Agent, or Firm*—Raymond J. Chew

(21) Appl. No.: **29/352,934**

(57) **CLAIM**

(22) Filed: **Dec. 30, 2009**

The ornamental design for a light emitting diode lamp, as shown and described.

(30) **Foreign Application Priority Data**

DESCRIPTION

Nov. 26, 2009 (CN) 200930326711

(51) **LOC (9) Cl.** **26-04**

(52) **U.S. Cl.** **D26/2**

(58) **Field of Classification Search** D26/1-4;
313/313, 315, 317, 318, 493; 315/52, 53,
315/56, 57, 58

See application file for complete search history.

FIG. 1 is a perspective view of a light emitting diode lamp showing our new design.

FIG. 2 is a front elevational view thereof.

FIG. 3 is a rear elevational view thereof.

FIG. 4 is a left-side, elevational view thereof.

FIG. 5 is a right-side, elevational view thereof.

FIG. 6 is a top plan view thereof; and,

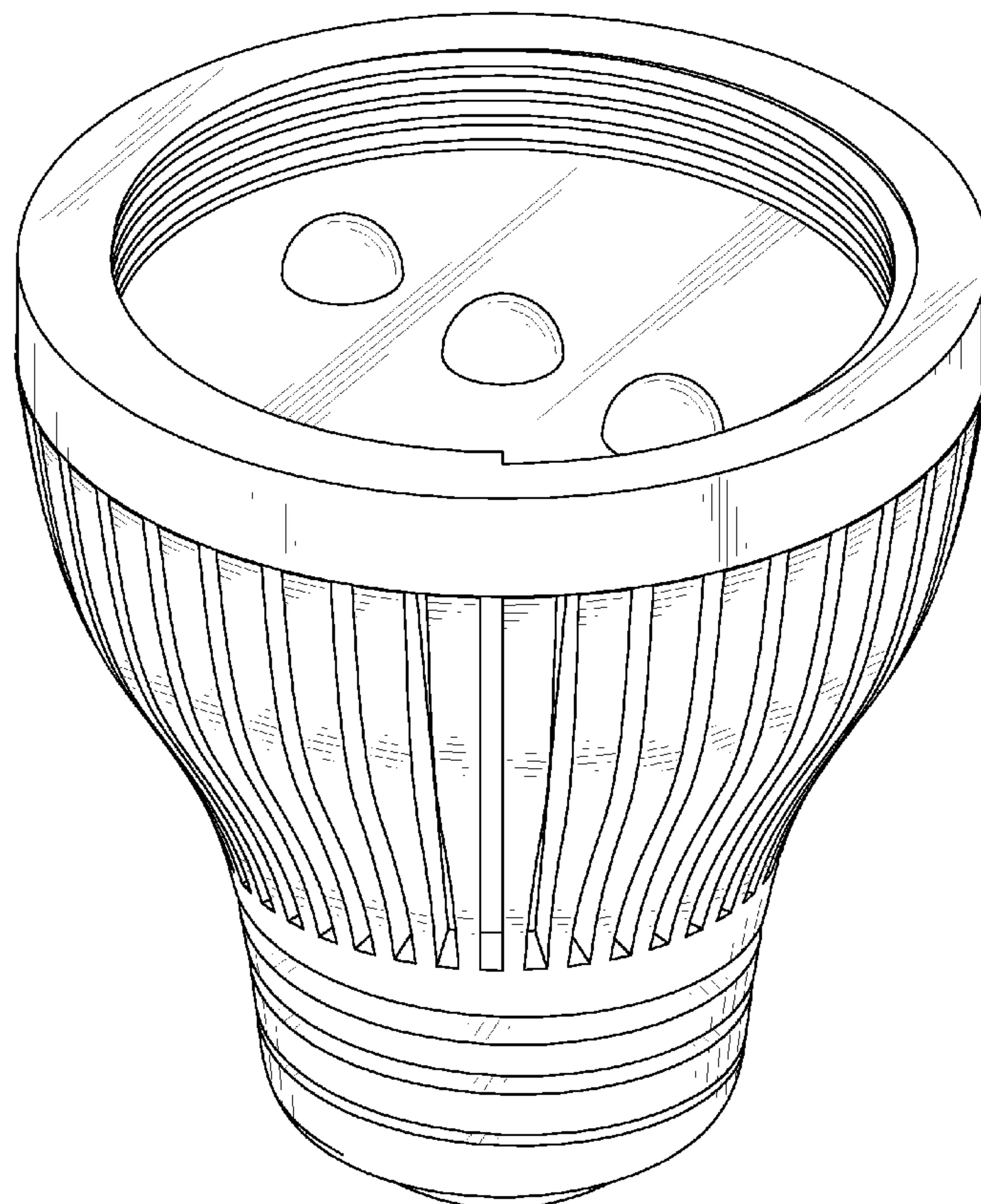
FIG. 7 is a bottom plan view thereof.

(56) **References Cited**

U.S. PATENT DOCUMENTS

D566,300 S * 4/2008 Lo D26/2

1 Claim, 7 Drawing Sheets



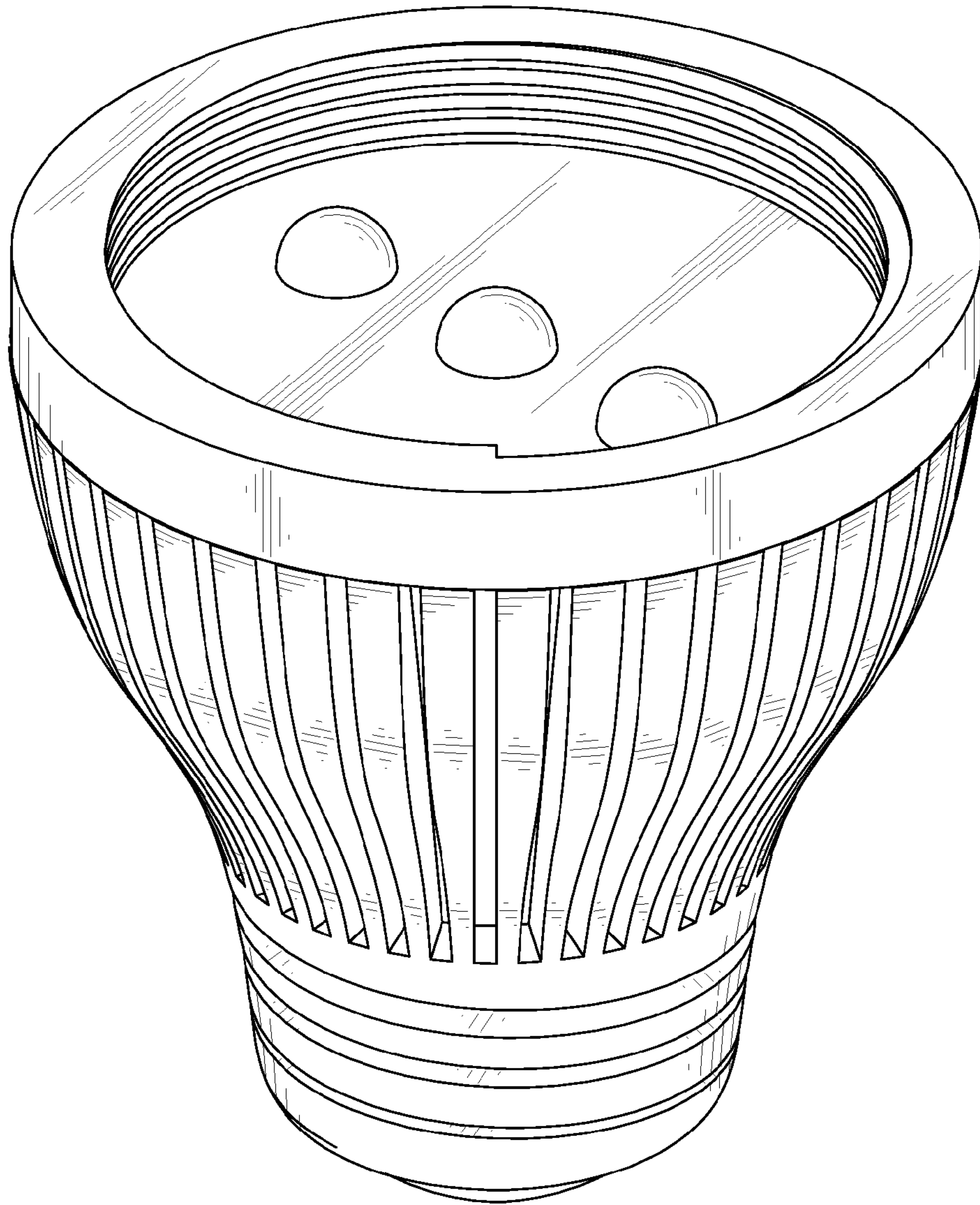


FIG. 1

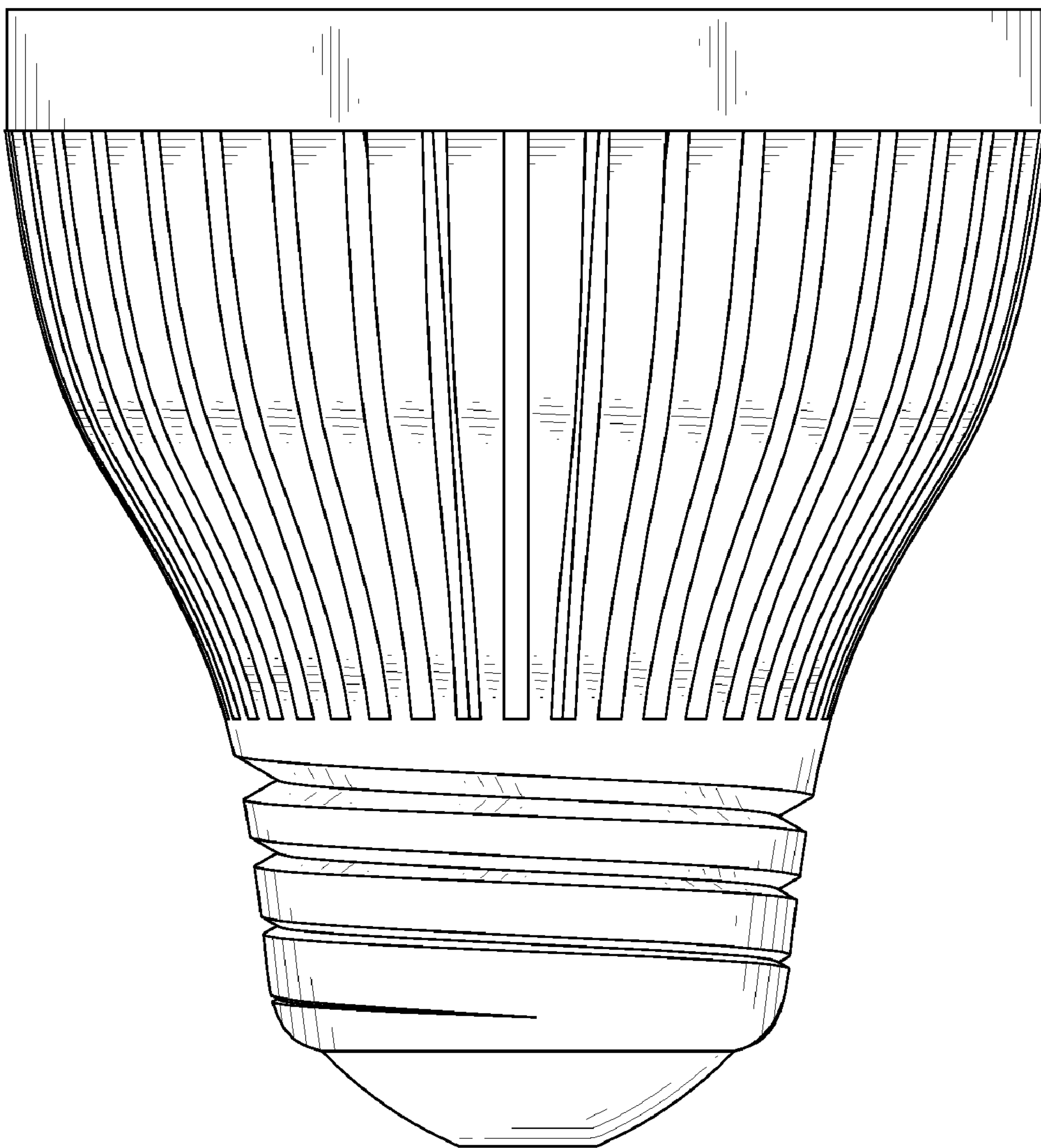


FIG. 2

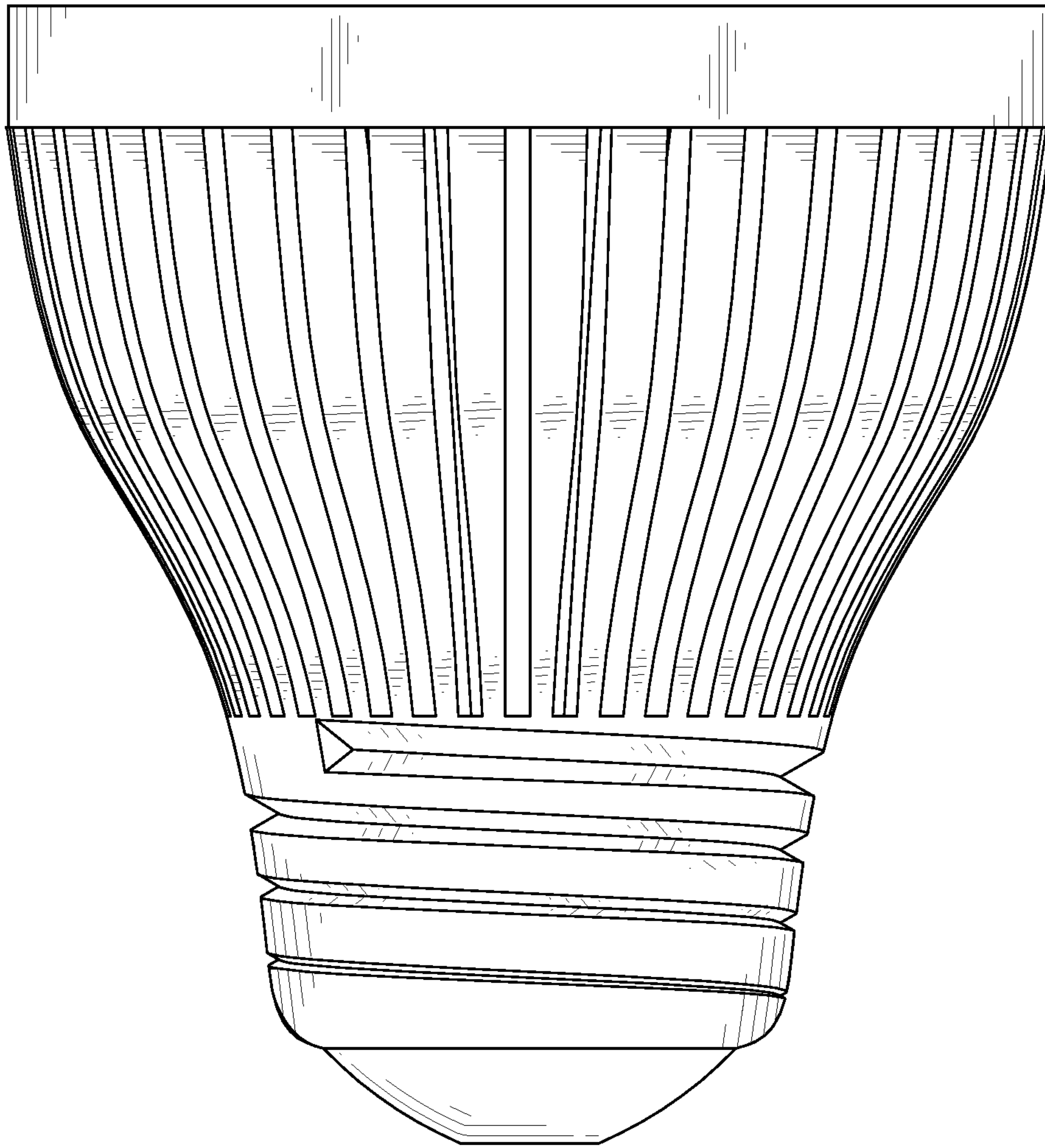


FIG. 3

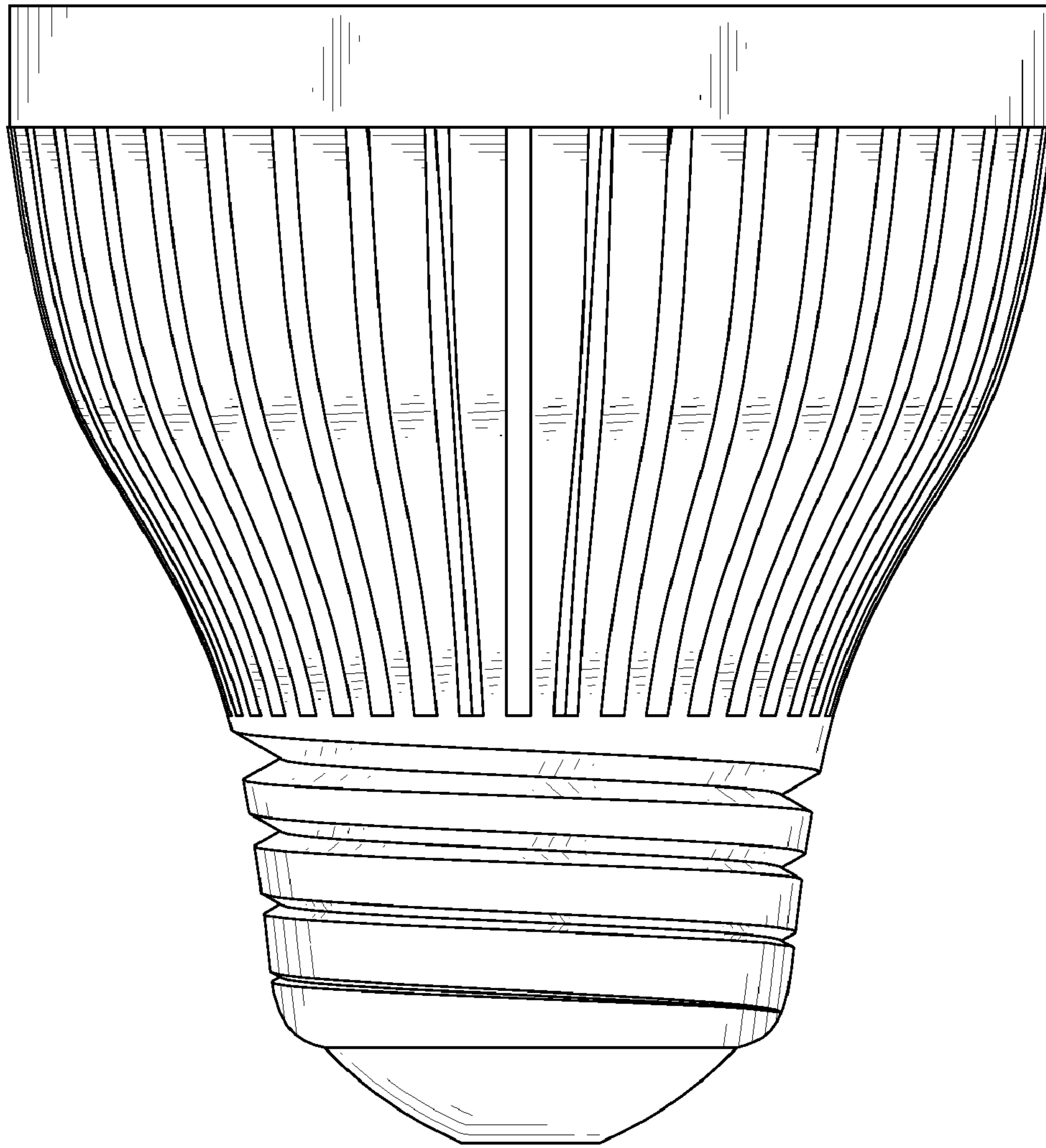


FIG. 4

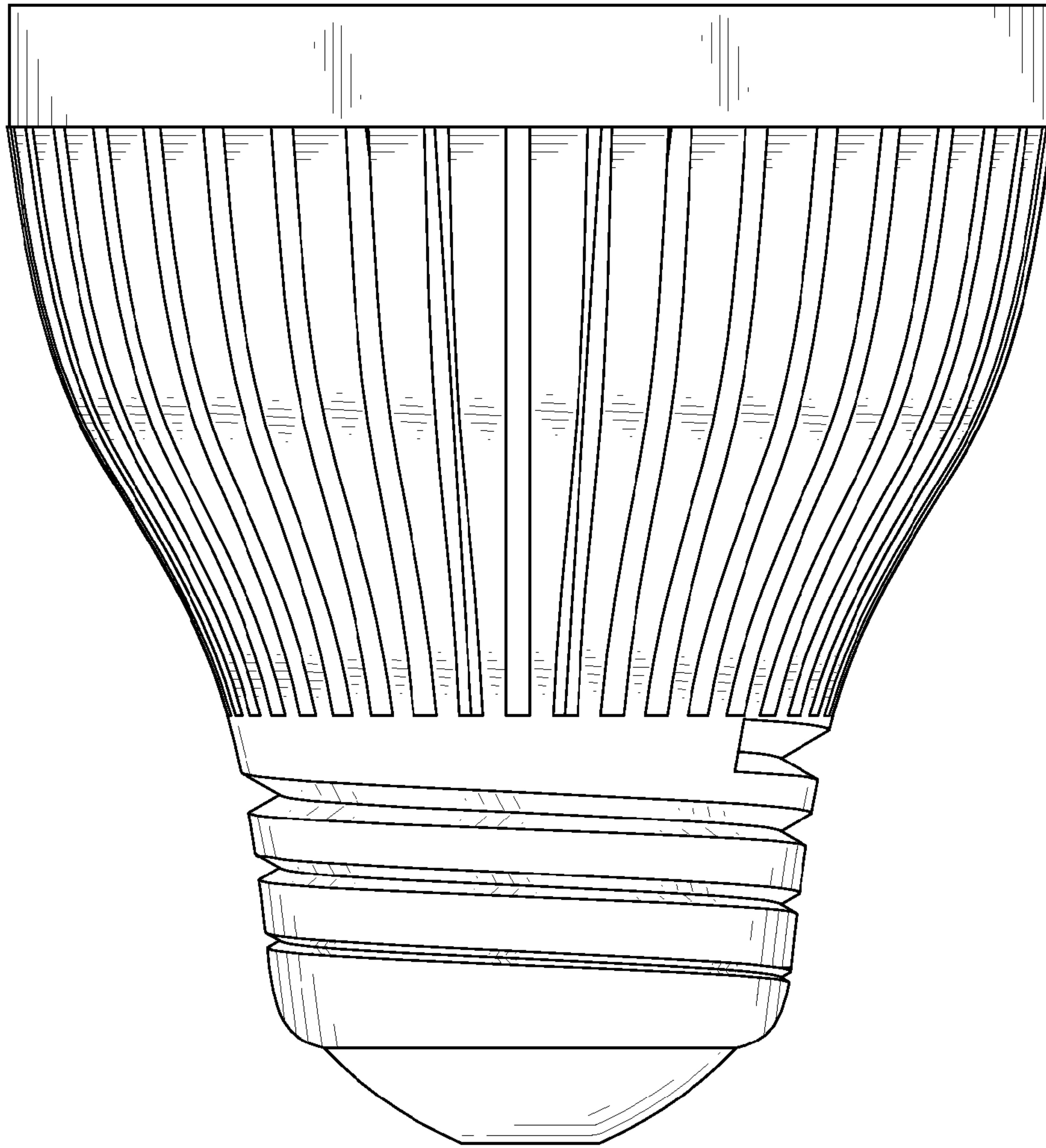


FIG. 5

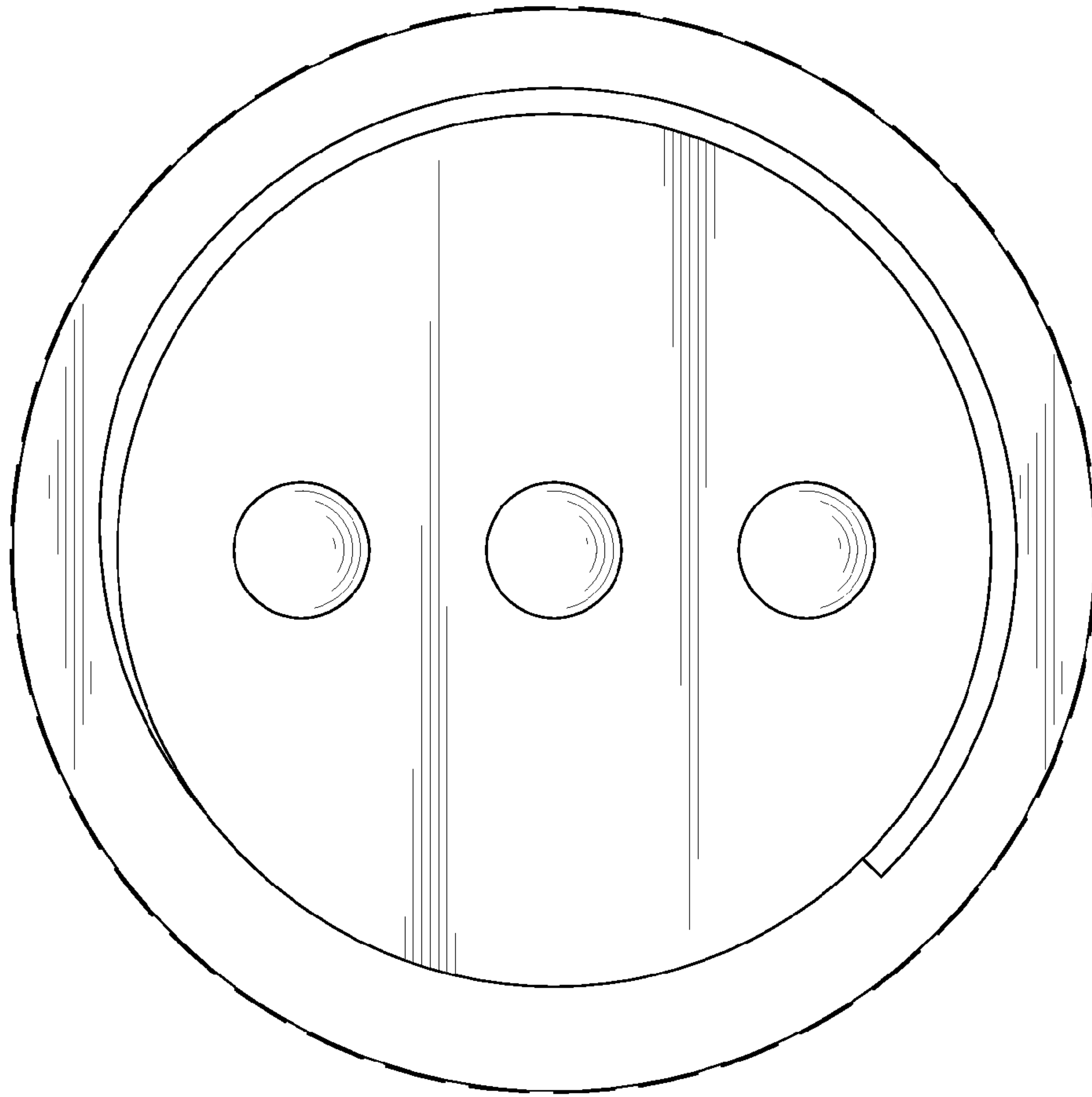


FIG. 6

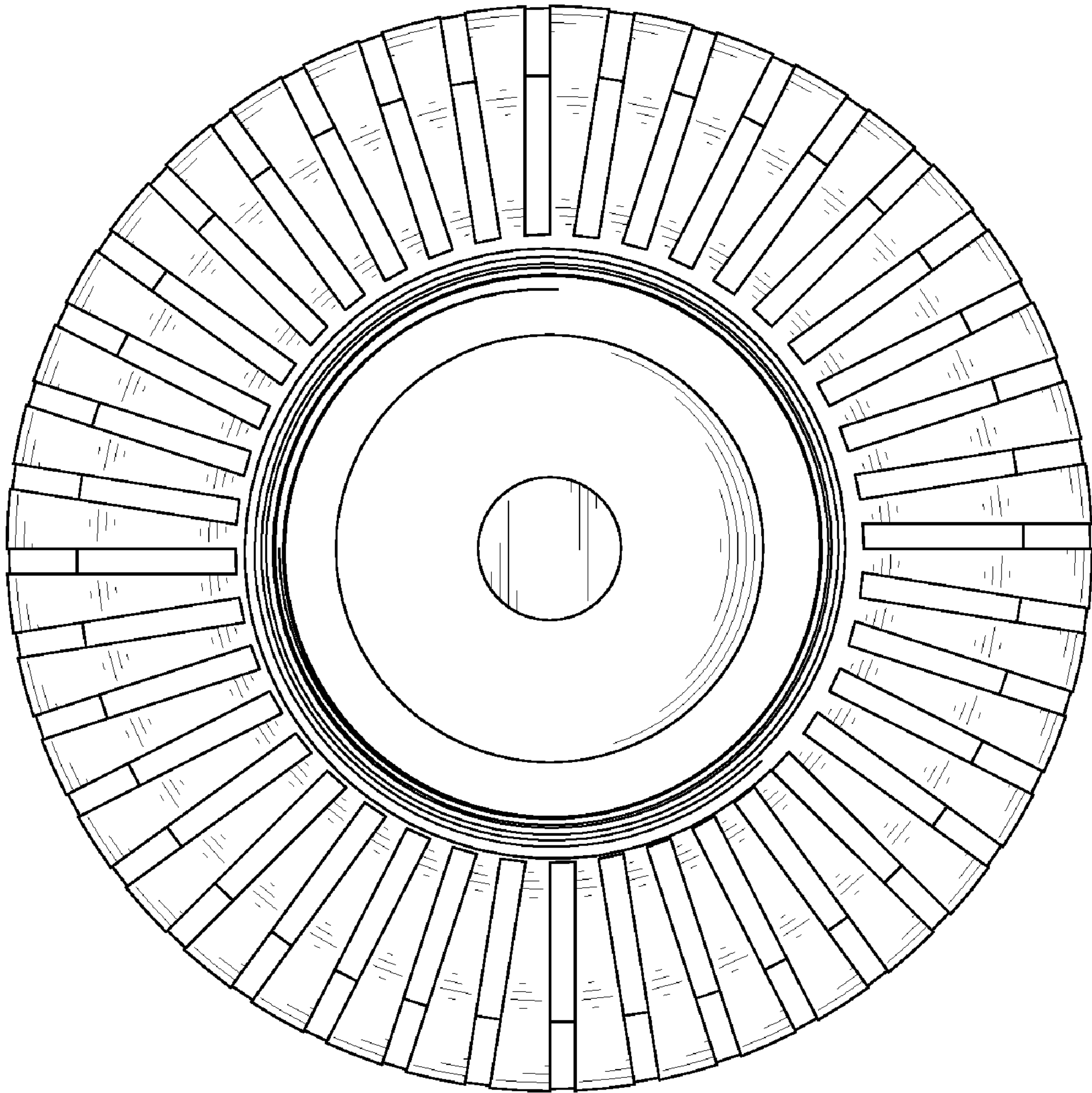


FIG. 7