



US00D620135S

(12) **United States Design Patent**
Adam

(10) **Patent No.:** **US D620,135 S**
(45) **Date of Patent:** **** Jul. 20, 2010**

(54) **MODULAR BLOCK SYSTEM**

2004/0037655 A1 2/2004 MacDonald
2006/0179777 A1* 8/2006 Tufts et al. 52/596

(76) Inventor: **Paul Adam**, 1907 Bald Hill Rd.,
Jefferson City, MO (US) 65101

(**) Term: **14 Years**

(21) Appl. No.: **29/316,487**

(22) Filed: **Oct. 3, 2009**

Related U.S. Application Data

(63) Continuation of application No. 10/994,859, filed on
Nov. 22, 2004.

(51) **LOC (9) Cl.** **25-01**

(52) **U.S. Cl.** **D25/113**

(58) **Field of Classification Search** D25/102,
D25/112-118; D21/484-486; 52/503-505,
52/574, 575, 596, 600-605; 405/284, 286;
404/29, 30, 34, 37, 41, 42

See application file for complete search history.

(56) **References Cited**

U.S. PATENT DOCUMENTS

D319,885 S	9/1991	Blomquist et al.	
D321,060 S	10/1991	Blomquist et al.	
D341,215 S	11/1993	Blomquist et al.	
5,294,216 A	3/1994	Sievert	
D346,667 S *	5/1994	Blomquist et al.	D25/113
D352,789 S	11/1994	Adam	
5,735,643 A	4/1998	Castonguay et al.	
5,827,015 A	10/1998	Woolford et al.	
5,848,511 A	12/1998	Scales	
6,149,352 A	11/2000	MacDonald	
D458,387 S *	6/2002	Blomquist et al.	D25/113
6,431,798 B1 *	8/2002	Magliocco	405/286
6,447,213 B1	9/2002	MacDonald	
6,637,981 B2	10/2003	MacDonald	
6,912,823 B2 *	7/2005	MacDonald et al.	52/574
7,059,808 B2 *	6/2006	Risi	405/284
7,244,079 B1 *	7/2007	Blomquist et al.	405/284
D551,360 S *	9/2007	Price	D25/113
7,328,537 B2 *	2/2008	Hammer	52/604
2003/0009970 A1	1/2003	MacDonald et al.	

OTHER PUBLICATIONS

Versa-Lok brochure (publication date unknown, but product existed
prior to Nov. 22, 2004).

Rockwood Retaining Wall Systems, Inc. brochure (publication date
unknown, but product existed prior to Nov. 22, 2004).

Pyzique Wall Systems, Inc. brochure (publication date unknown, but
product existed prior to Nov. 22, 2004) (2 pages).

EP Henry Coventry Wall Plus brochure (publication date unknown,
but product existed prior to Nov. 22, 2004) (2 pages).

Keystone Retaining Wall Systems Country Manor brochure (copy-
right date 2003).

* cited by examiner

Primary Examiner—T. Chase Nelson

Assistant Examiner—Anhdao Doan

(74) *Attorney, Agent, or Firm*—David H. Chervitz

(57) **CLAIM**

The ornamental design for a modular block system, as shown
and described.

DESCRIPTION

FIG. 1 is a perspective view of a first modular block of the
modular block system;

FIG. 2 is a top view of the first modular block of the modular
block system;

FIG. 3 is a front elevation view of the first modular block of
the modular block system;

FIG. 4 is a bottom view of the first modular block of the
modular block system;

FIG. 5 is a rear elevation view of the first modular block of the
modular block system;

FIG. 6 is a side elevation view of the first modular block of the
modular block system, as viewed from the left in FIG. 1;

FIG. 7 is a side elevation view of the first modular block of the
modular block system, as viewed from the right in FIG. 1;

FIG. 8 is a perspective view of a second modular block of the
modular block system;

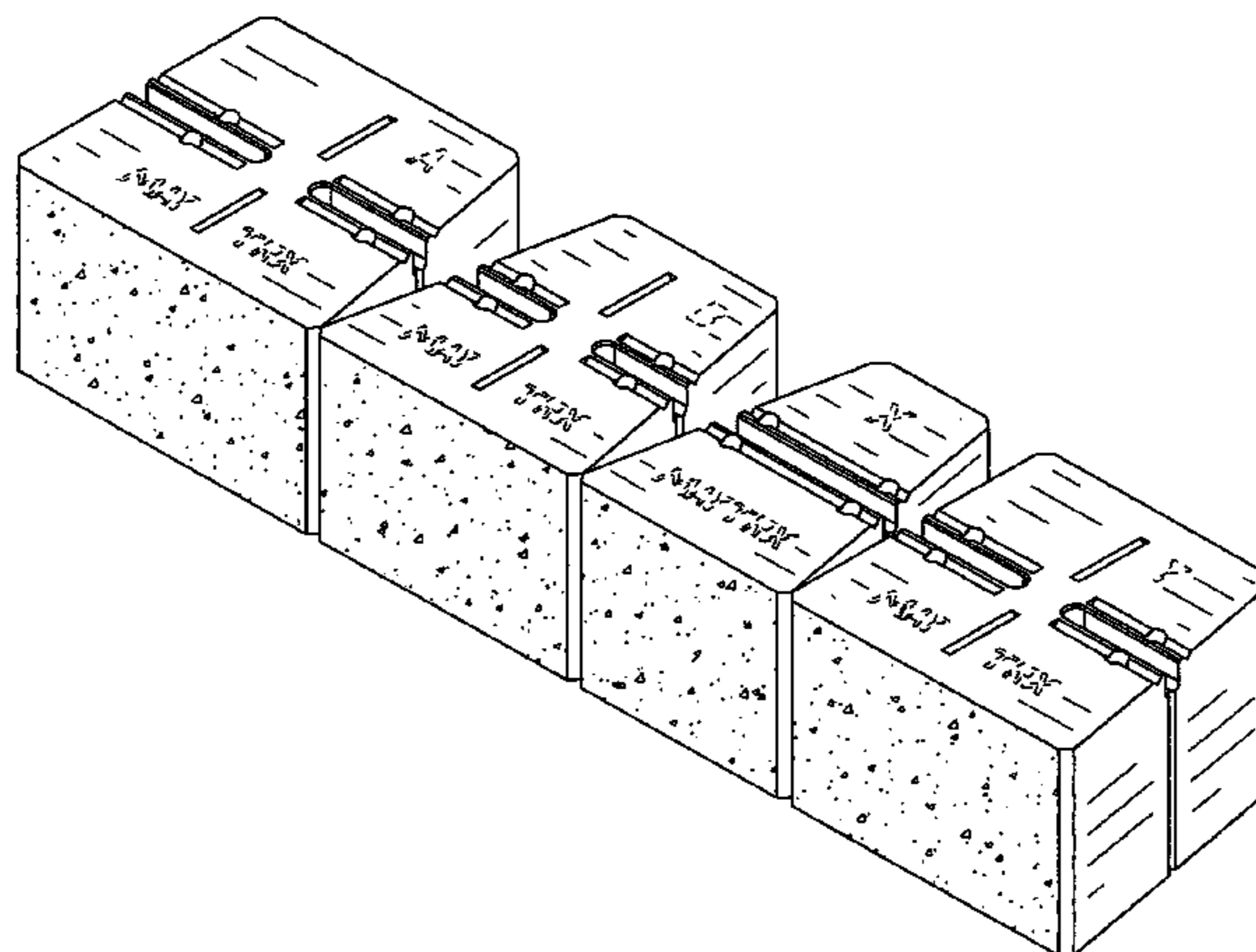


FIG. 9 is a top view of the second modular block of the modular block system;

FIG. 10 is a front elevation view of the second modular block of the modular block system;

FIG. 11 is a bottom view of the second modular block of the modular block system;

FIG. 12 is a rear elevation view of the second modular block of the modular block system;

FIG. 13 is a side elevation view of the second modular block of the modular block system, as viewed from the left in FIG. 8;

FIG. 14 is a side elevation view of the second modular block of the modular block system, as viewed from the right in FIG. 8;

FIG. 15 is a perspective of a third modular block of the modular block system;

FIG. 16 is a top view of the third modular block of the modular block system;

FIG. 17 is a front elevation view of the third modular block of the modular block system;

FIG. 18 is a bottom view of the third modular block of the modular block system;

FIG. 19 is a rear elevation view of the third modular block of the modular block system;

FIG. 20 is a side elevation view of the third modular block of the modular block system, as viewed from the left in FIG. 15;

FIG. 21 is a side elevation view of the third modular block of the modular block system, as viewed from the right in FIG. 15;

FIG. 22 is a perspective view of a fourth modular block of the modular block system;

FIG. 23 is a top view of the fourth modular block of the modular block system;

FIG. 24 is a front elevation view of the fourth modular block of the modular block system;

FIG. 25 is a bottom view of the fourth modular block of the modular block system;

FIG. 26 is a rear elevation view of the fourth modular block of the modular block system;

FIG. 27 is a side elevation view of the fourth modular block of the modular block system, as viewed from the left in FIG. 22;

FIG. 28 is a side elevation view of the fourth modular block of the modular block system, as viewed from the right in FIGS. 22; and,

FIG. 29 is a perspective view of the first, second, third, and fourth modular blocks of the modular block system set in a pattern.

The broken lines in the drawing views are included for the purpose of illustrating a portion of the modular block system that forms no part of the claimed design.

1 Claim, 25 Drawing Sheets

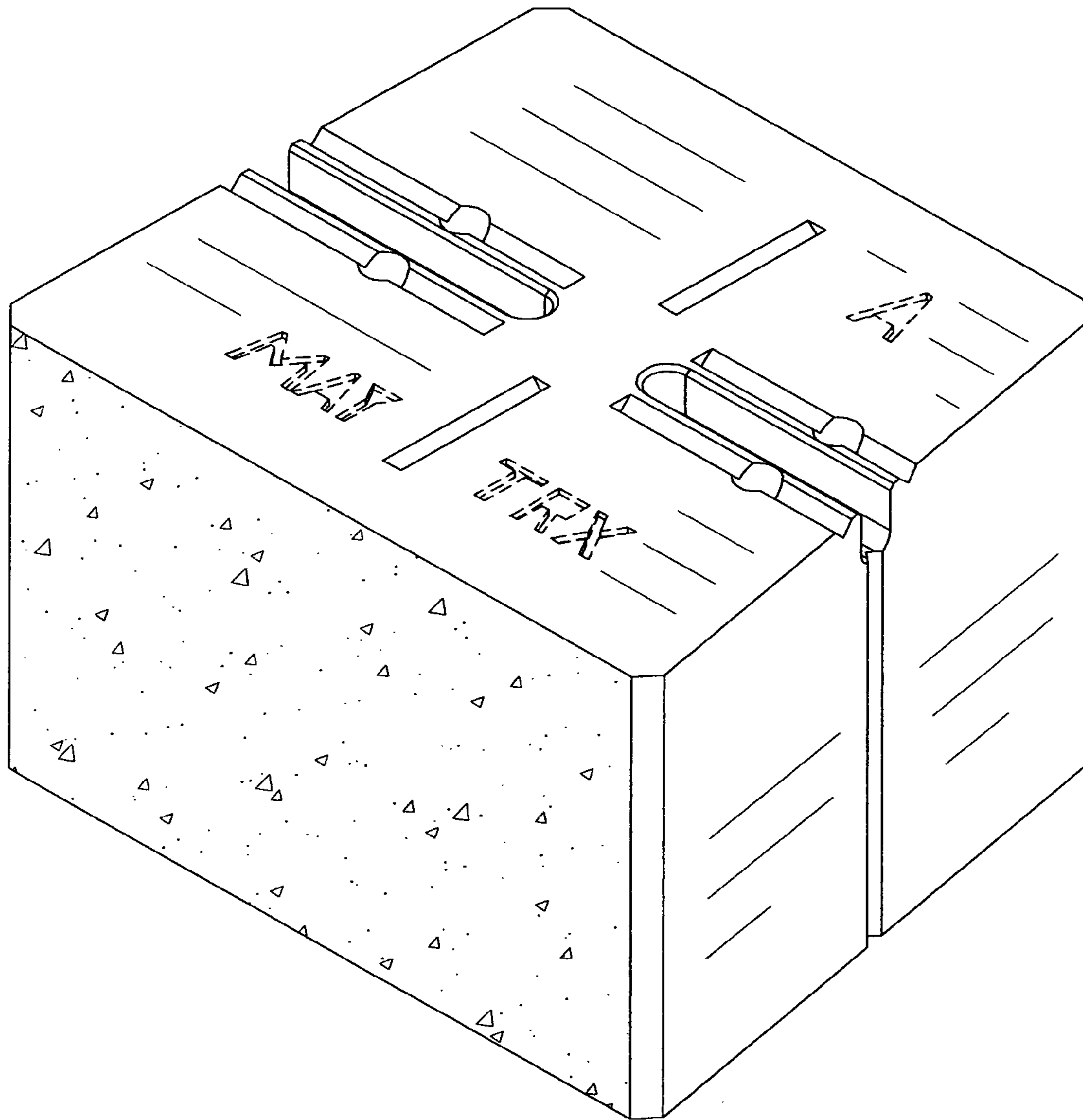


Fig. 1

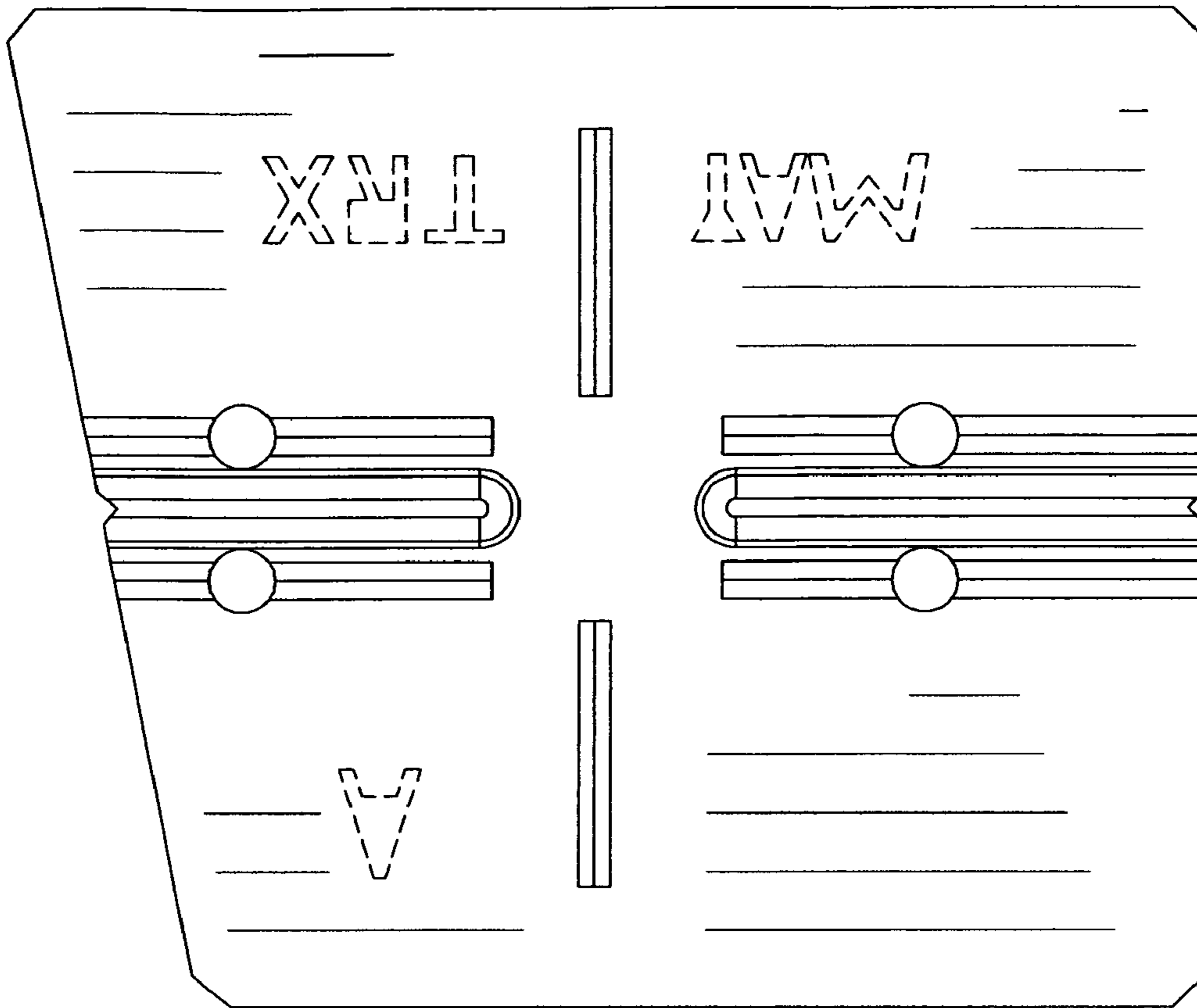


Fig. 2

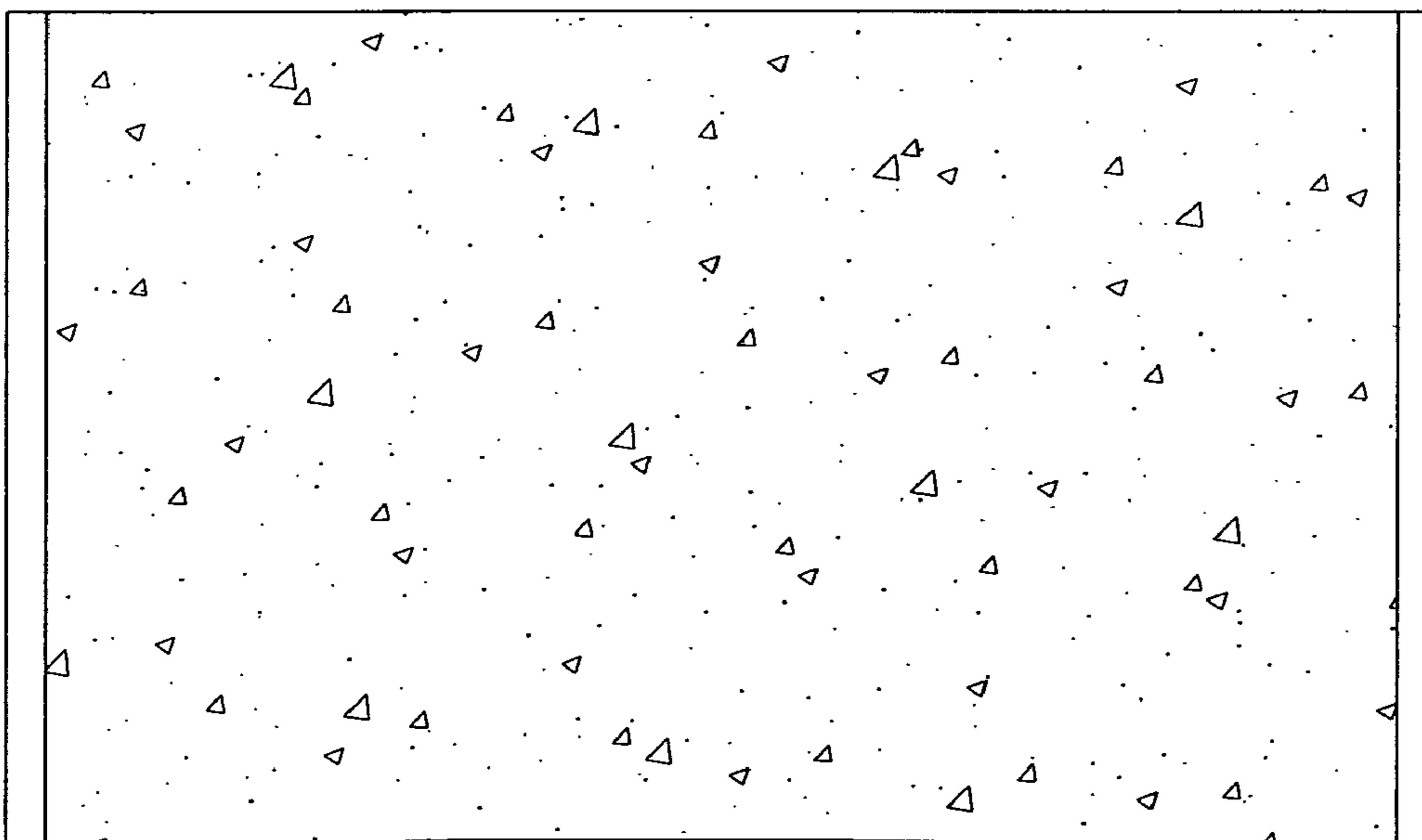


Fig. 3

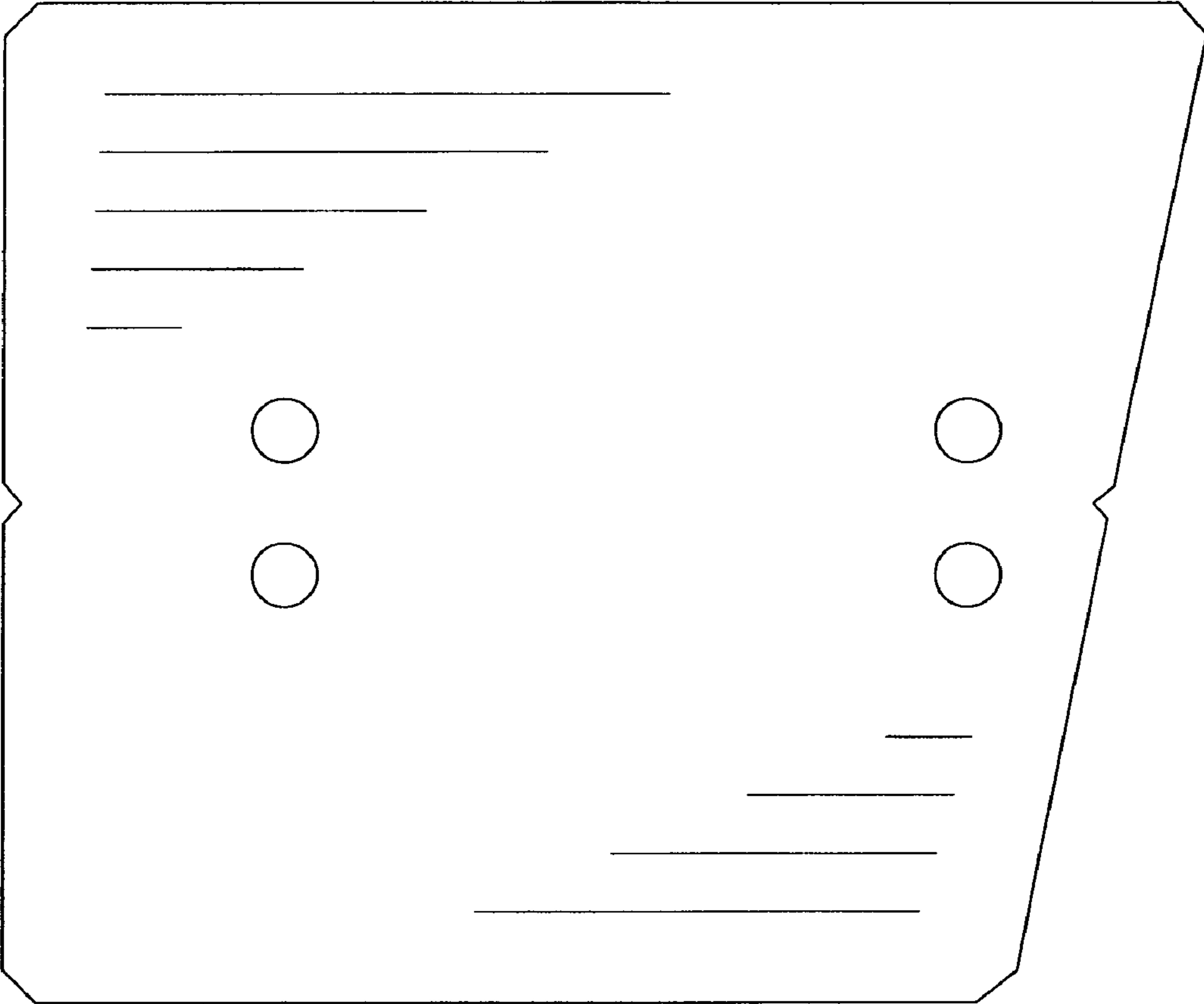


Fig. 4

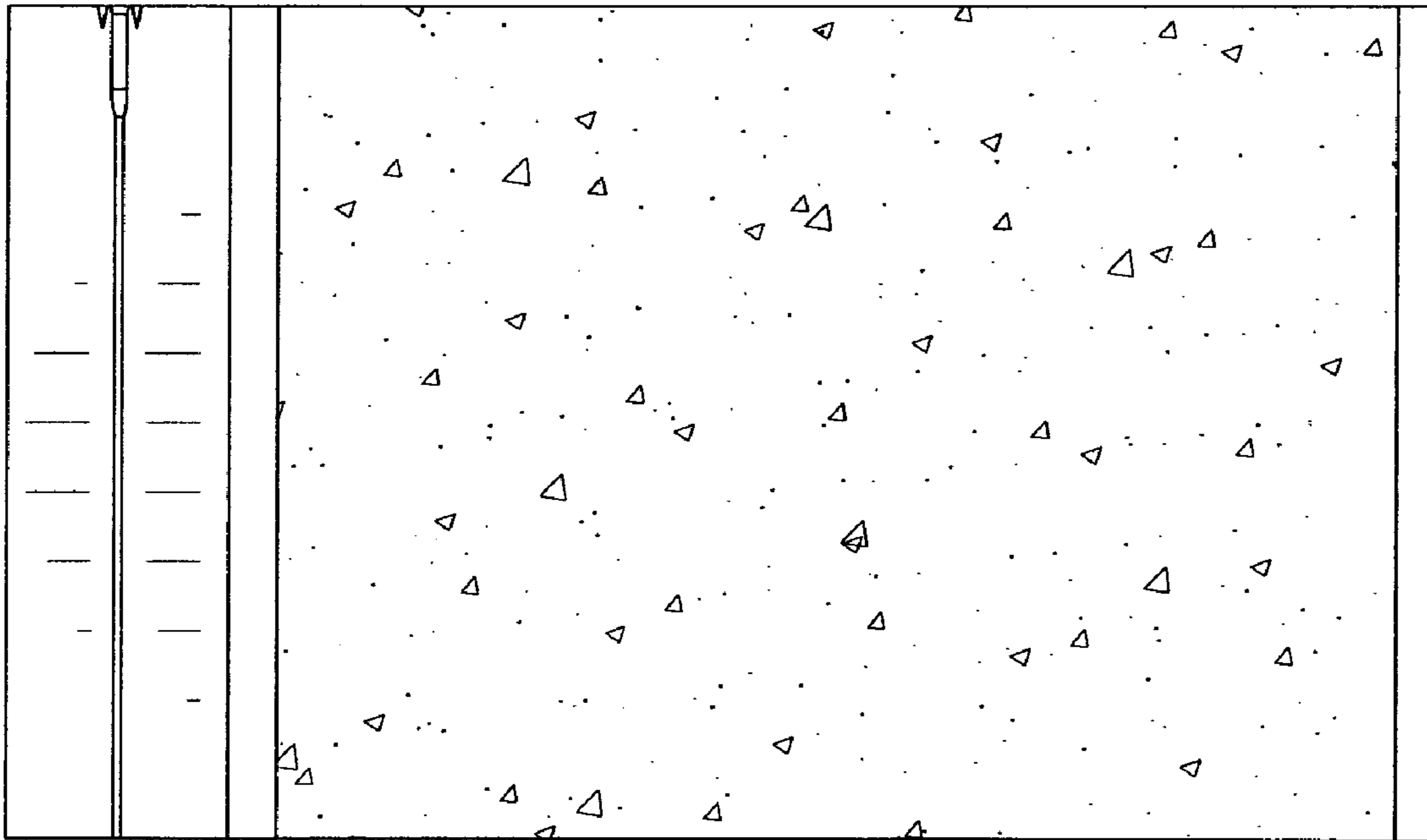


Fig. 5

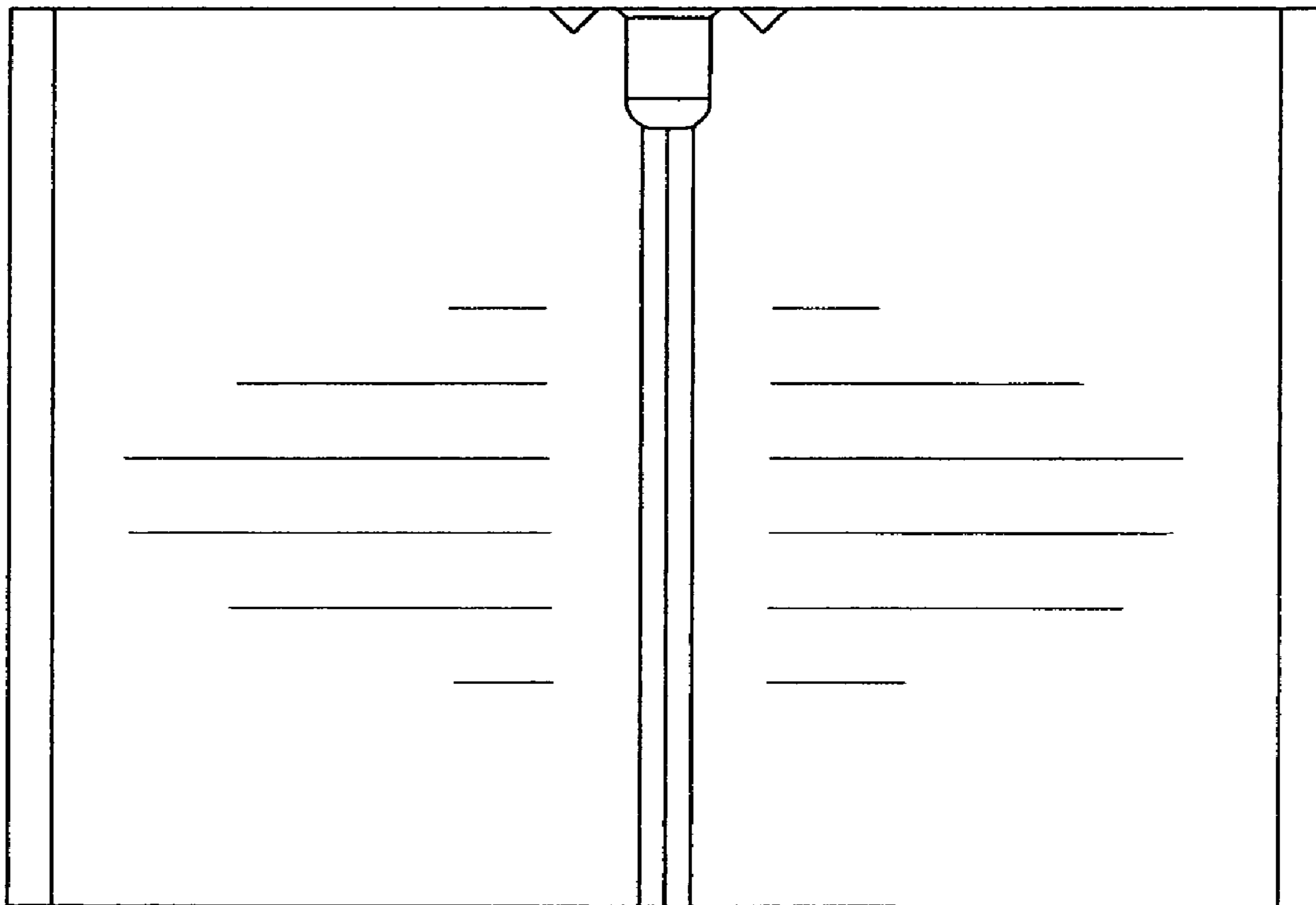


Fig. 6

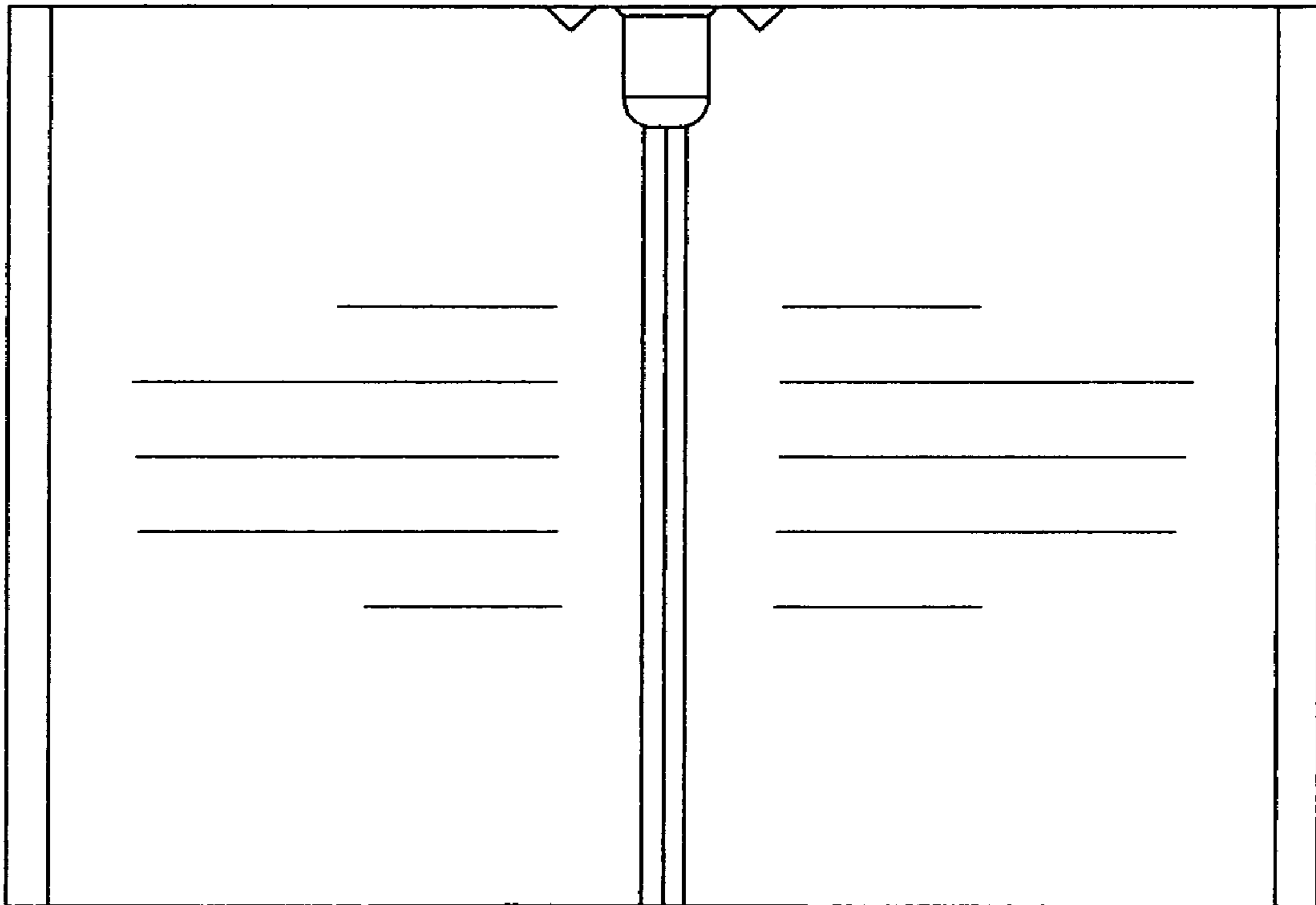


Fig. 7

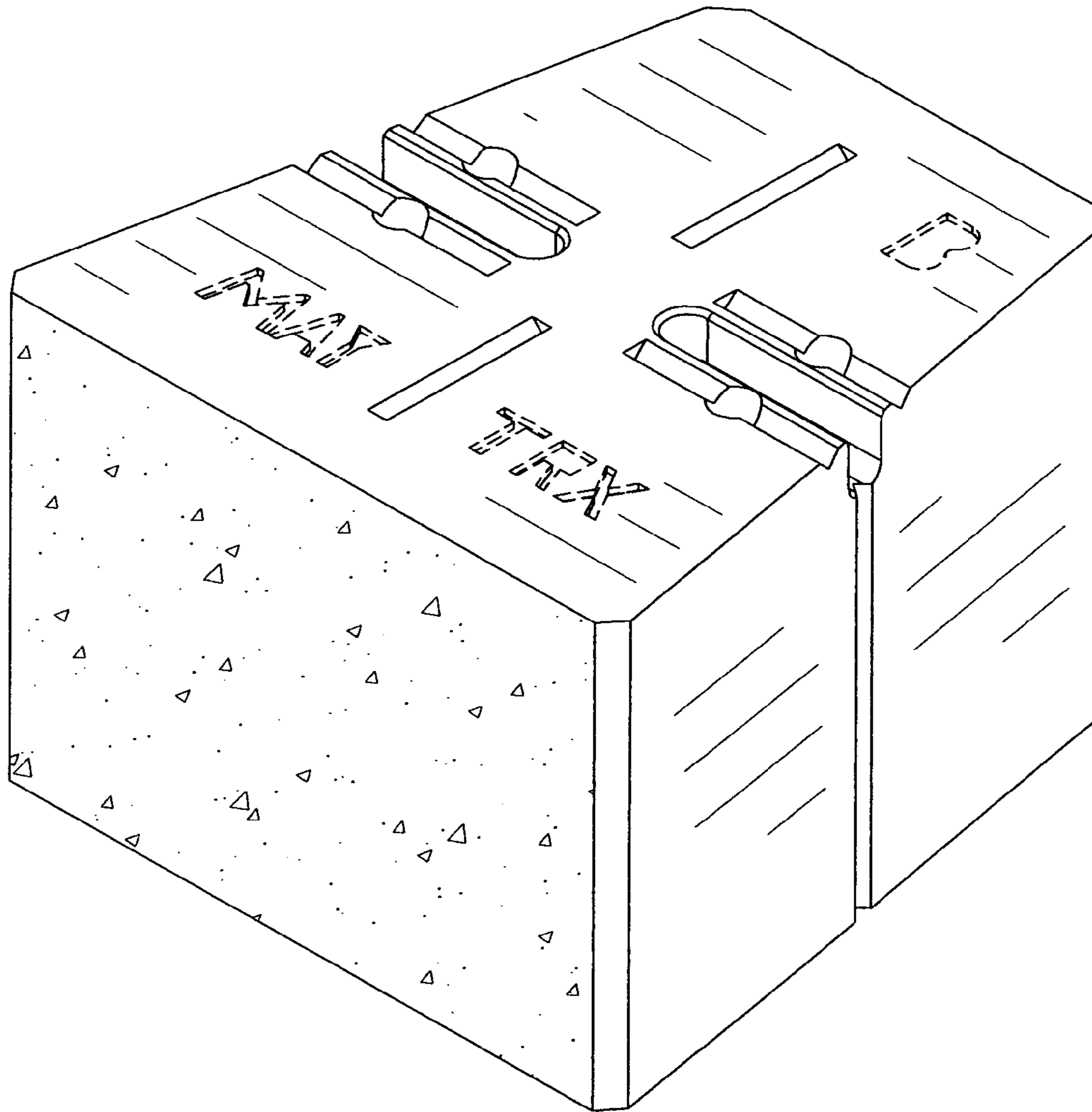


Fig. 8

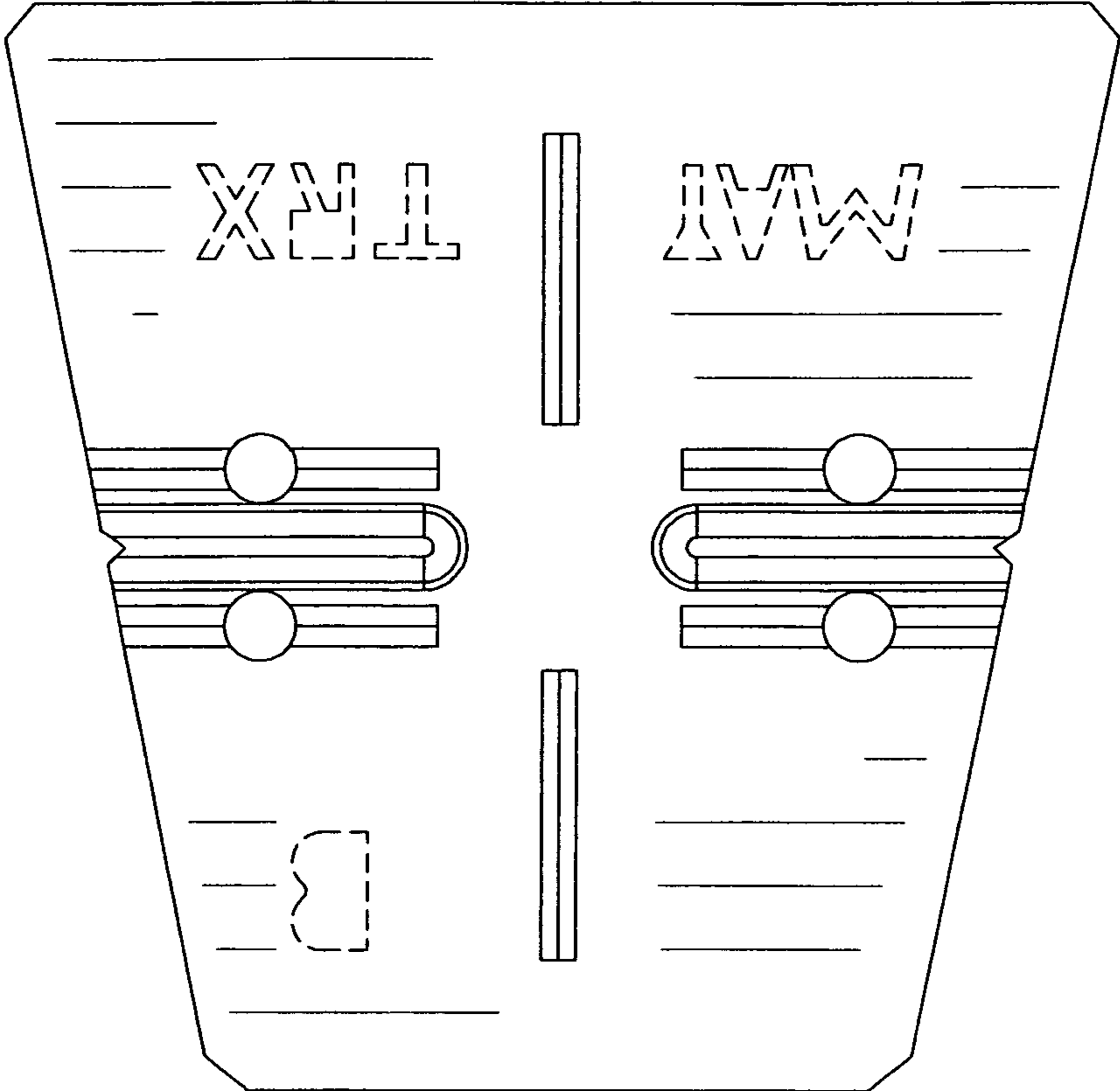


Fig. 9

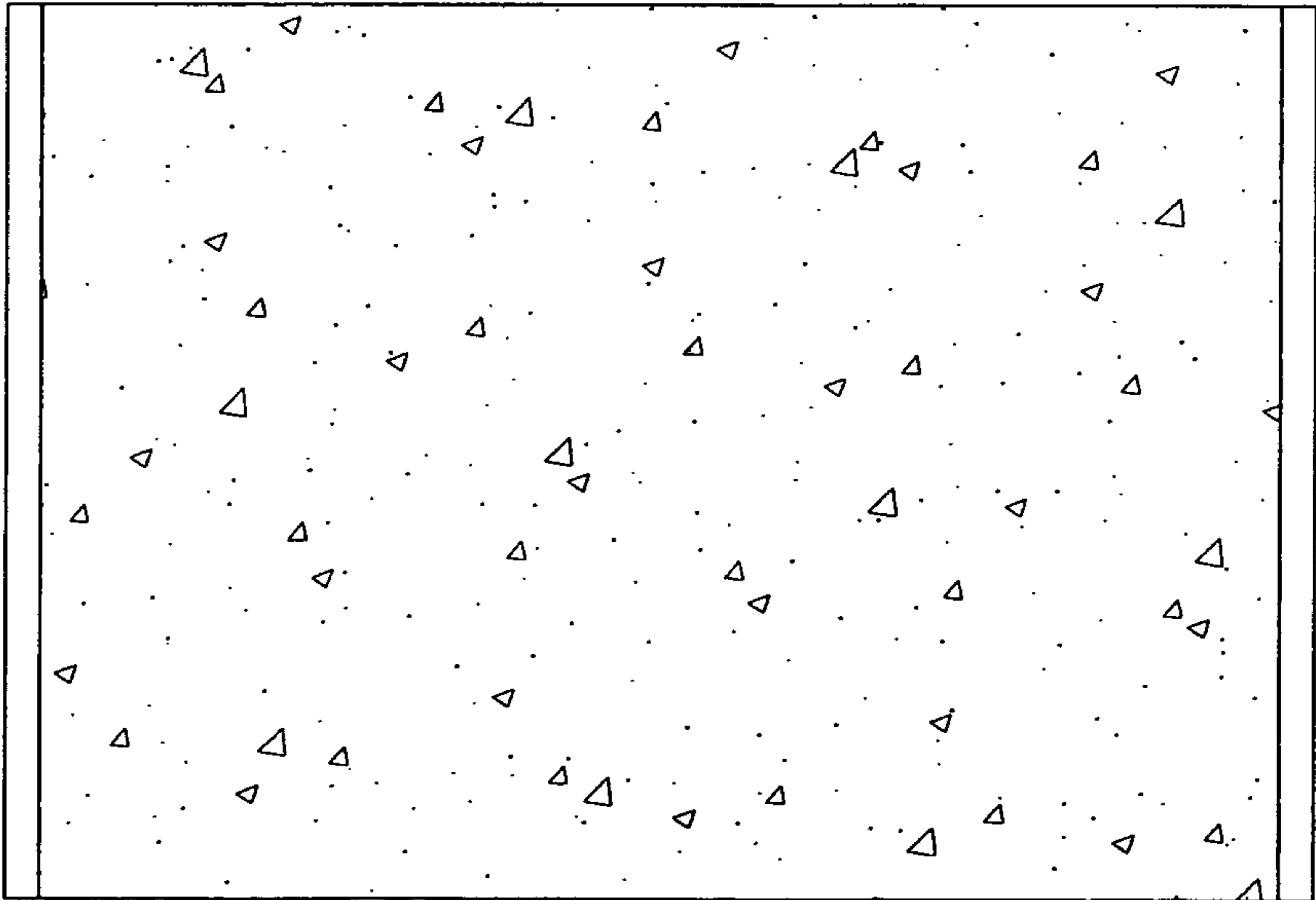


Fig. 10

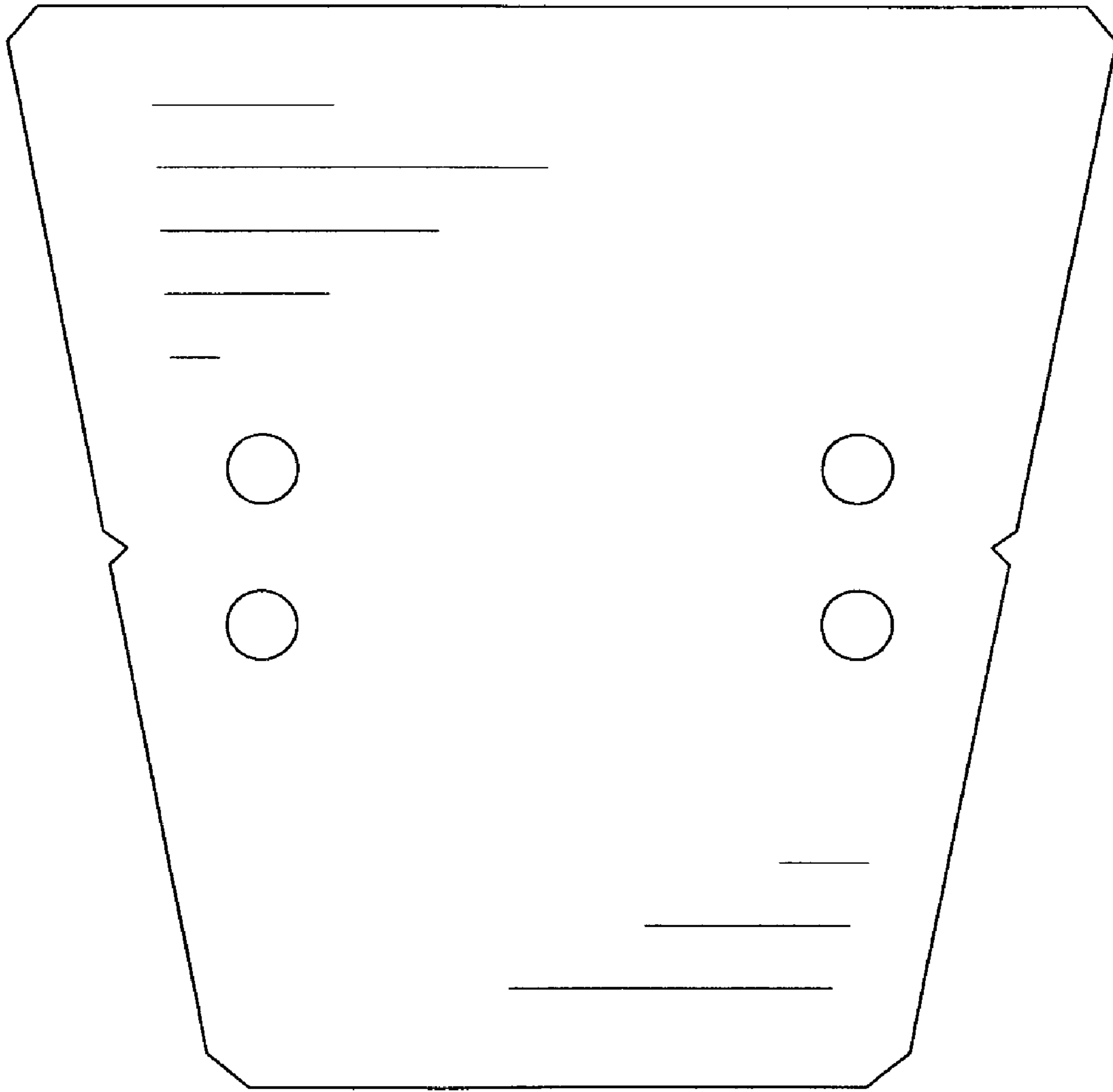


Fig. 11

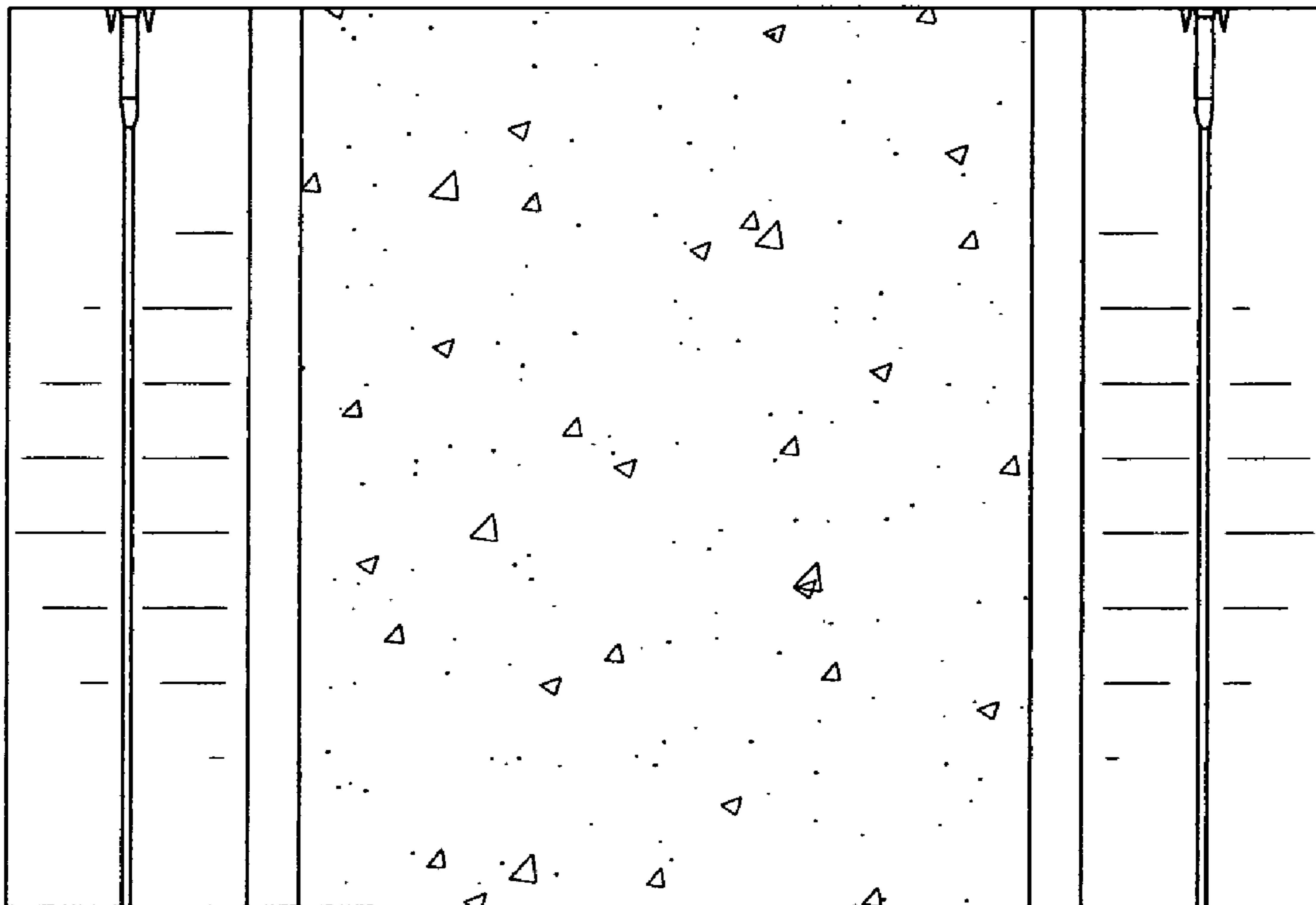


Fig. 12

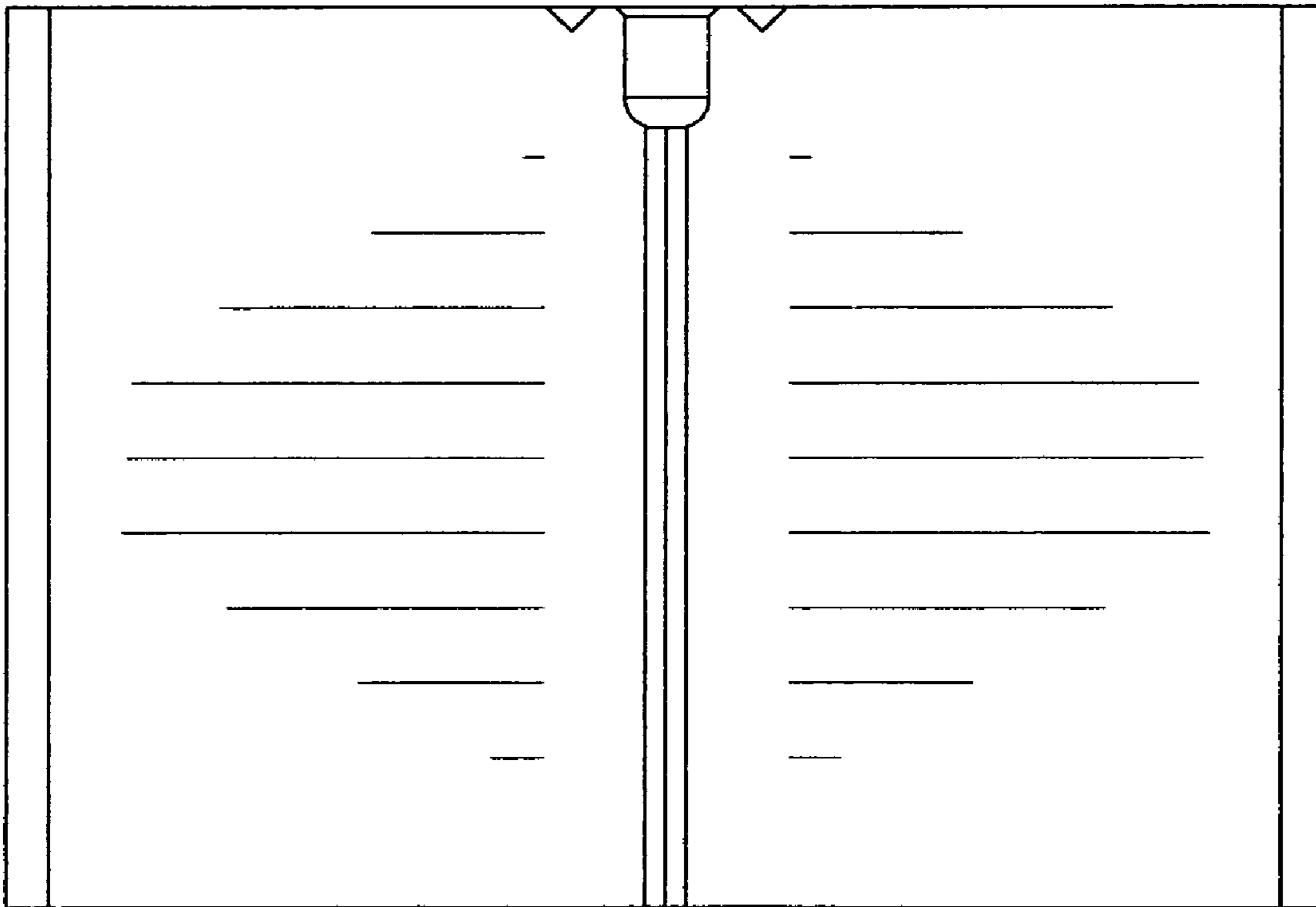


Fig. 13

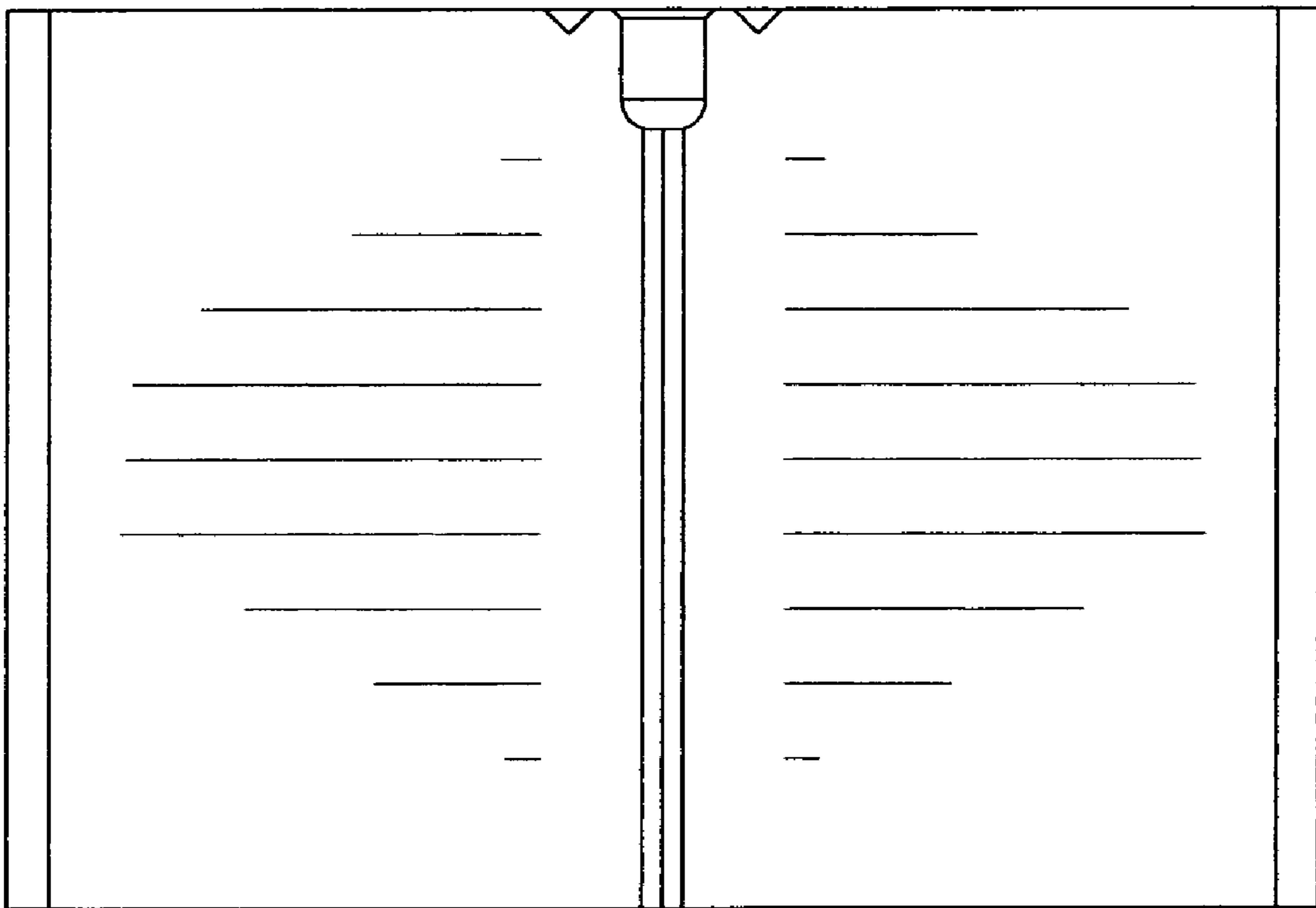


Fig. 14

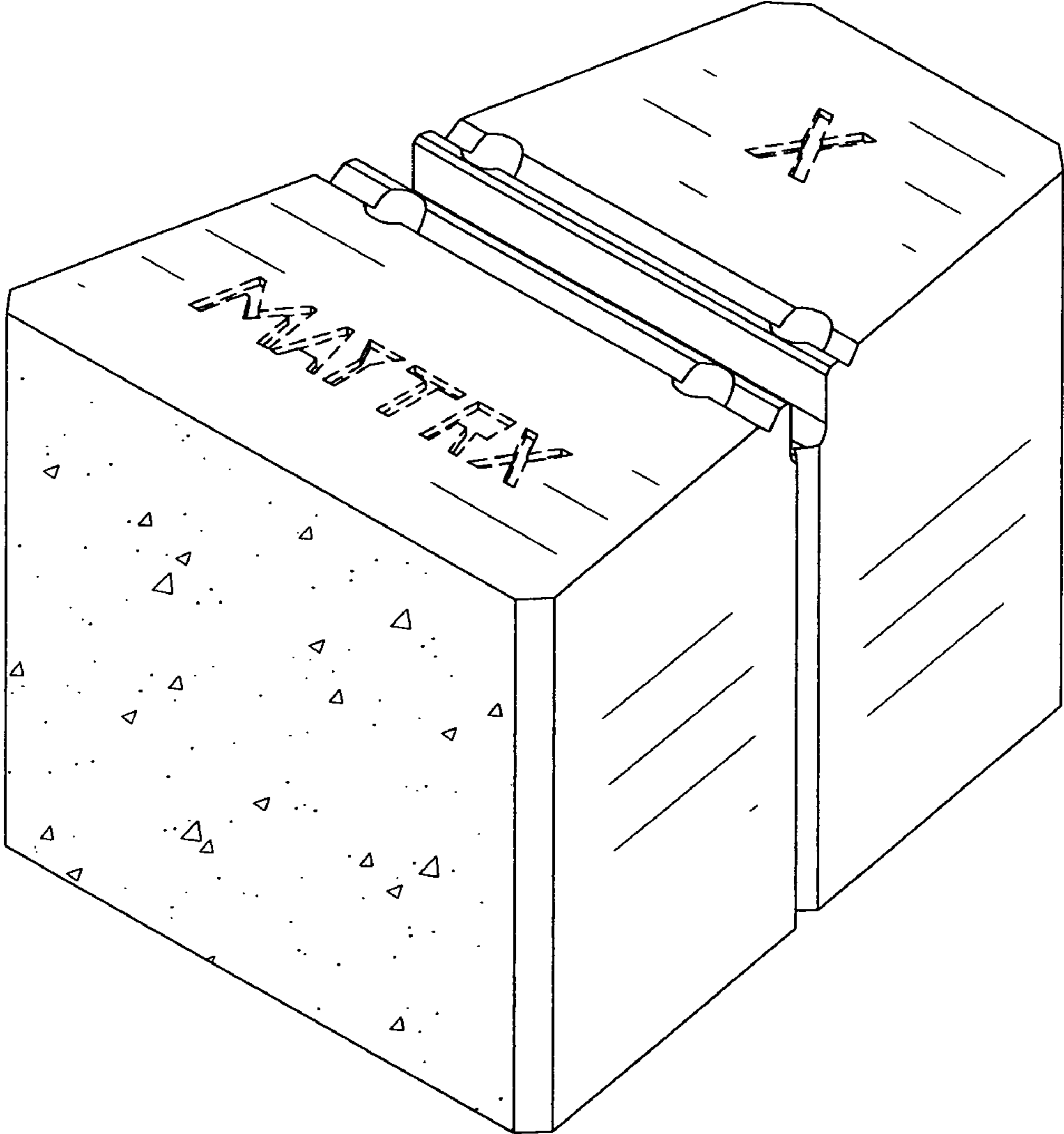


Fig. 15

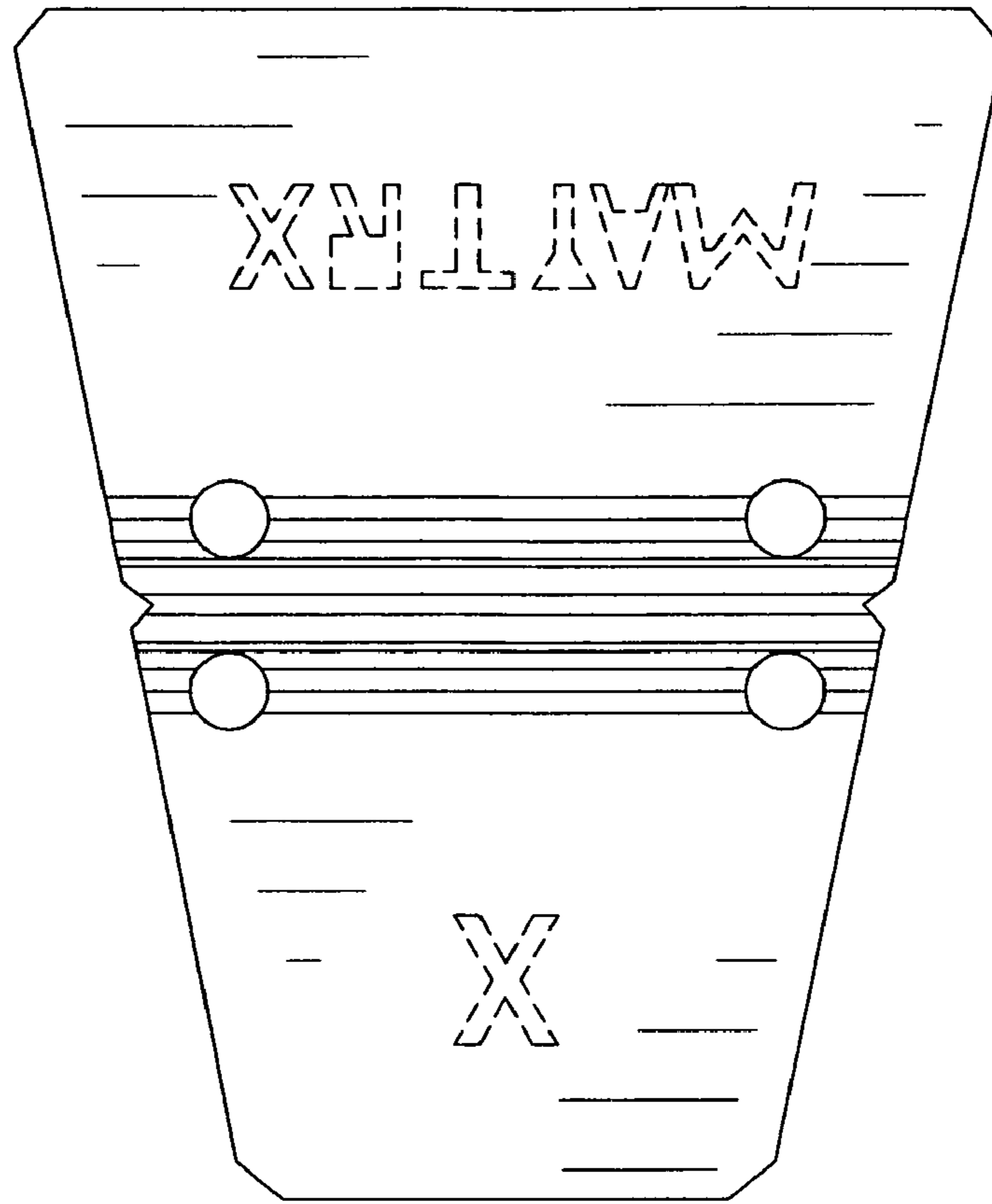


Fig. 16

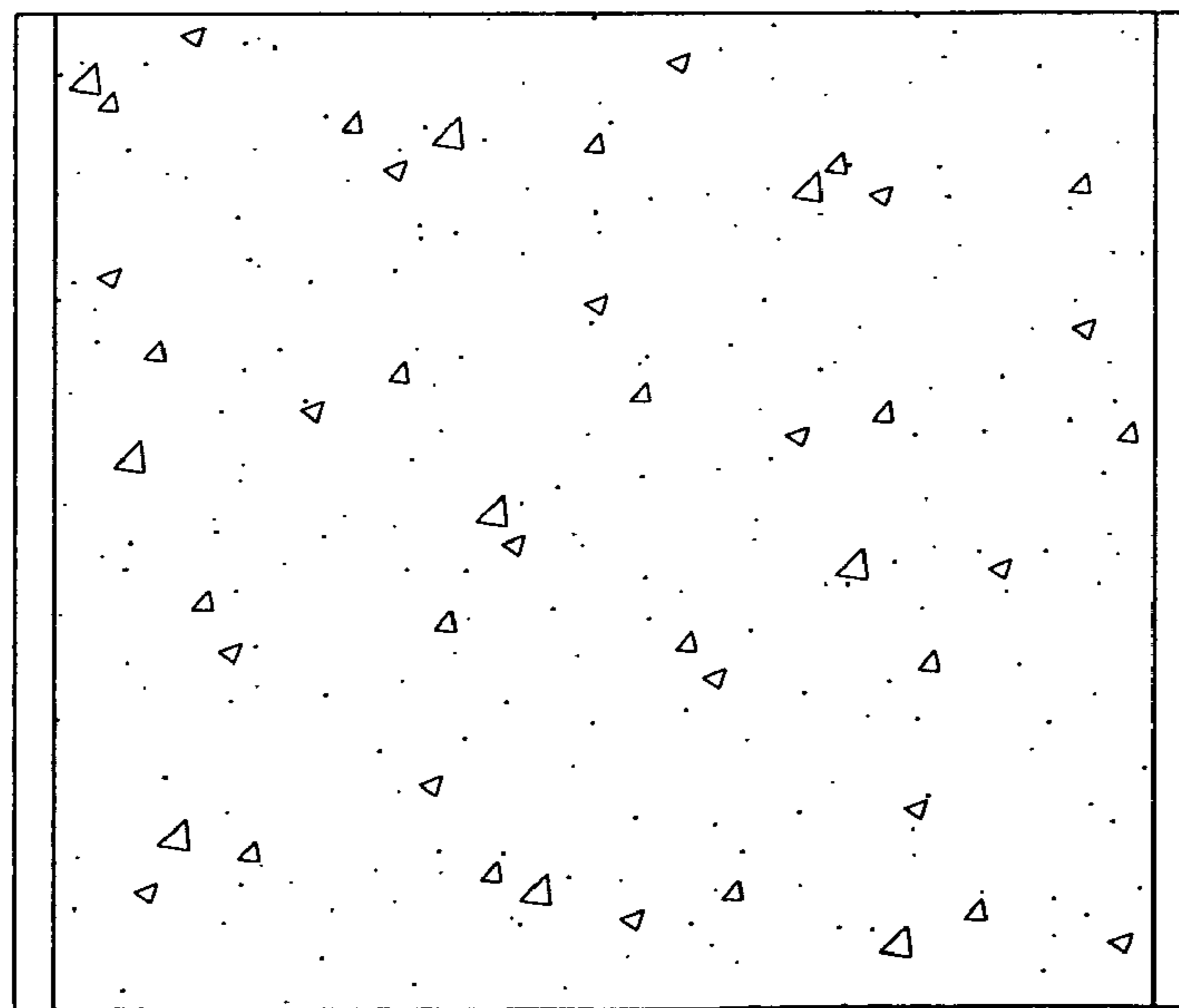


Fig. 17

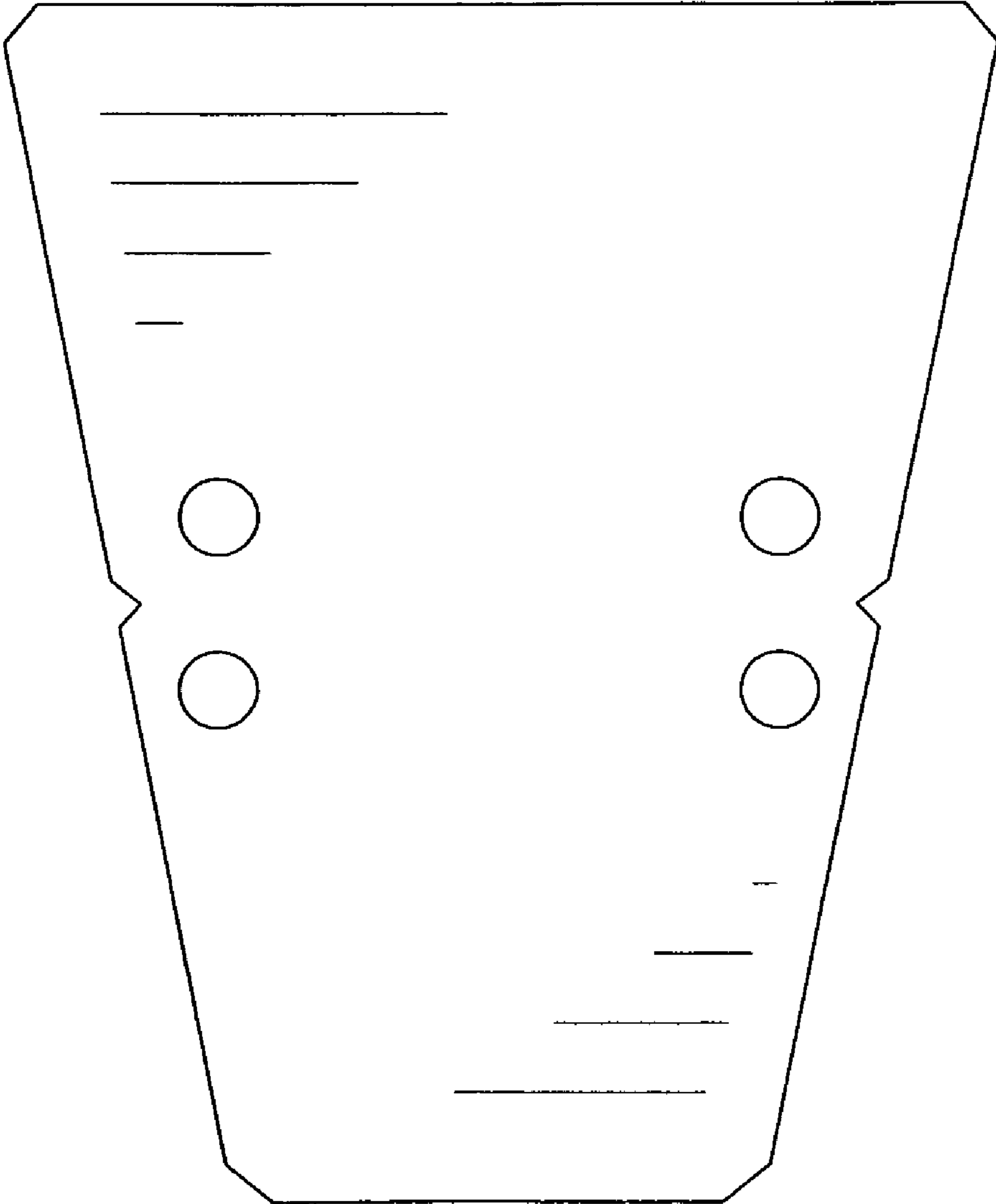


Fig. 18

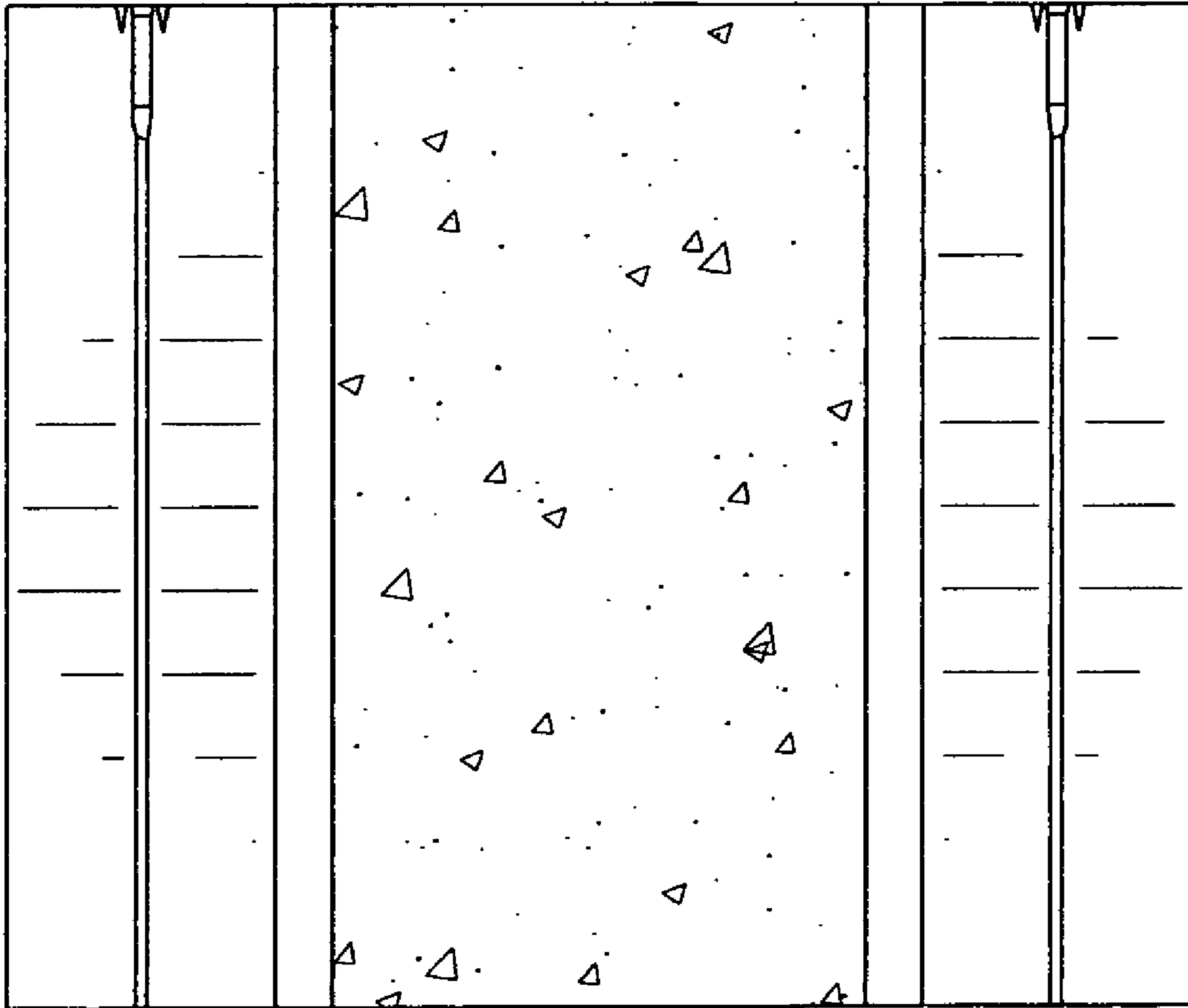


Fig. 19

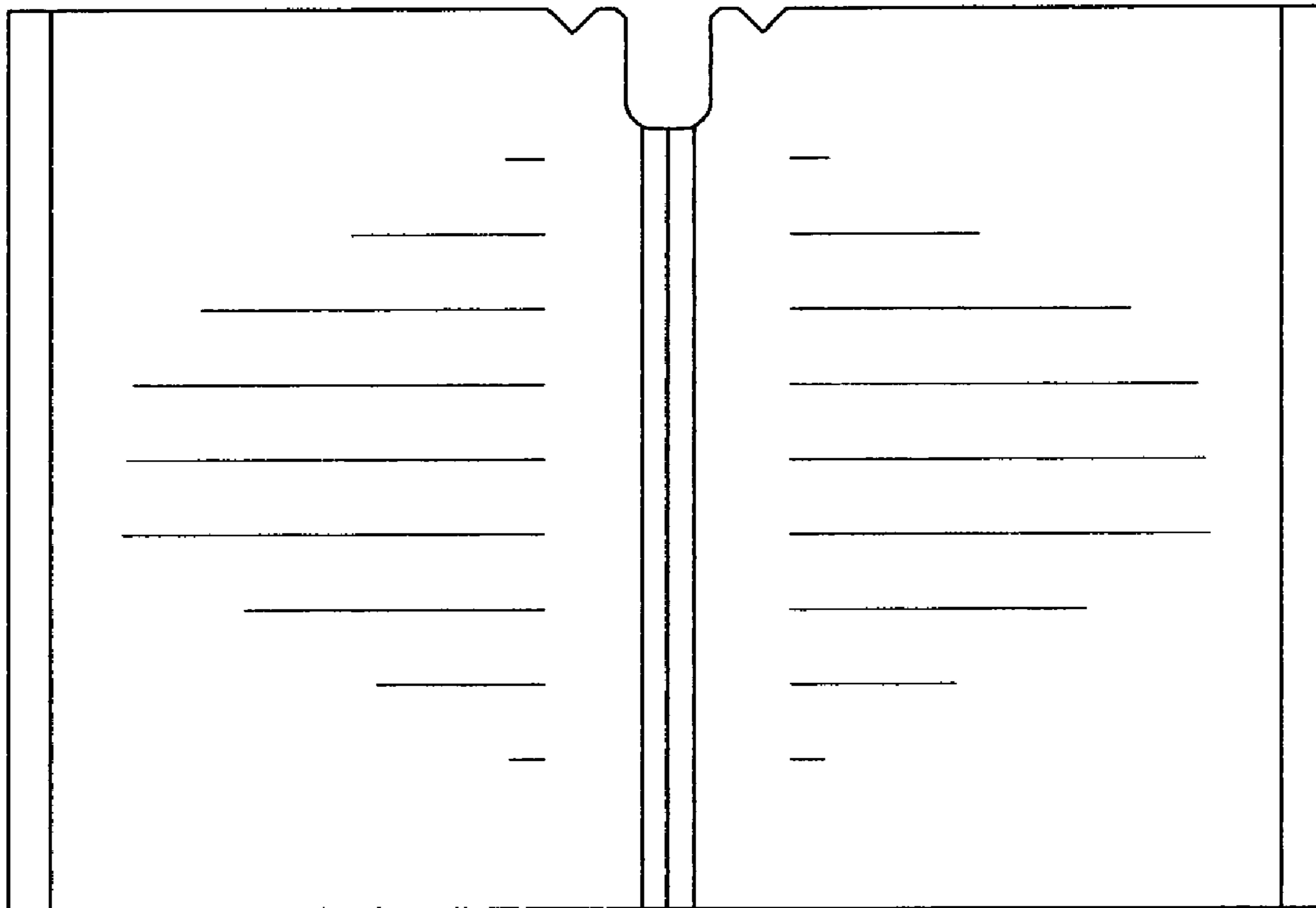


Fig. 20

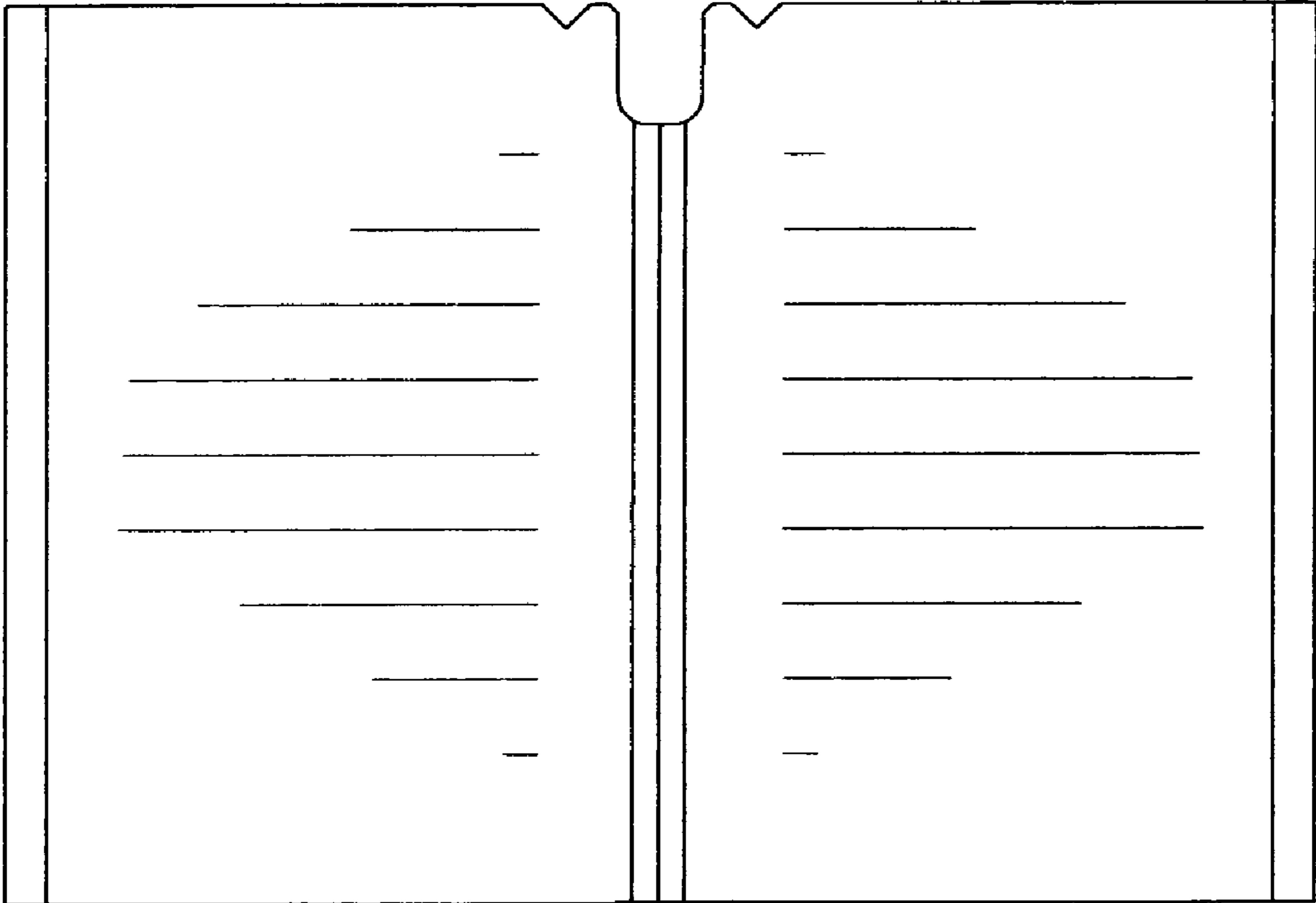


Fig. 21

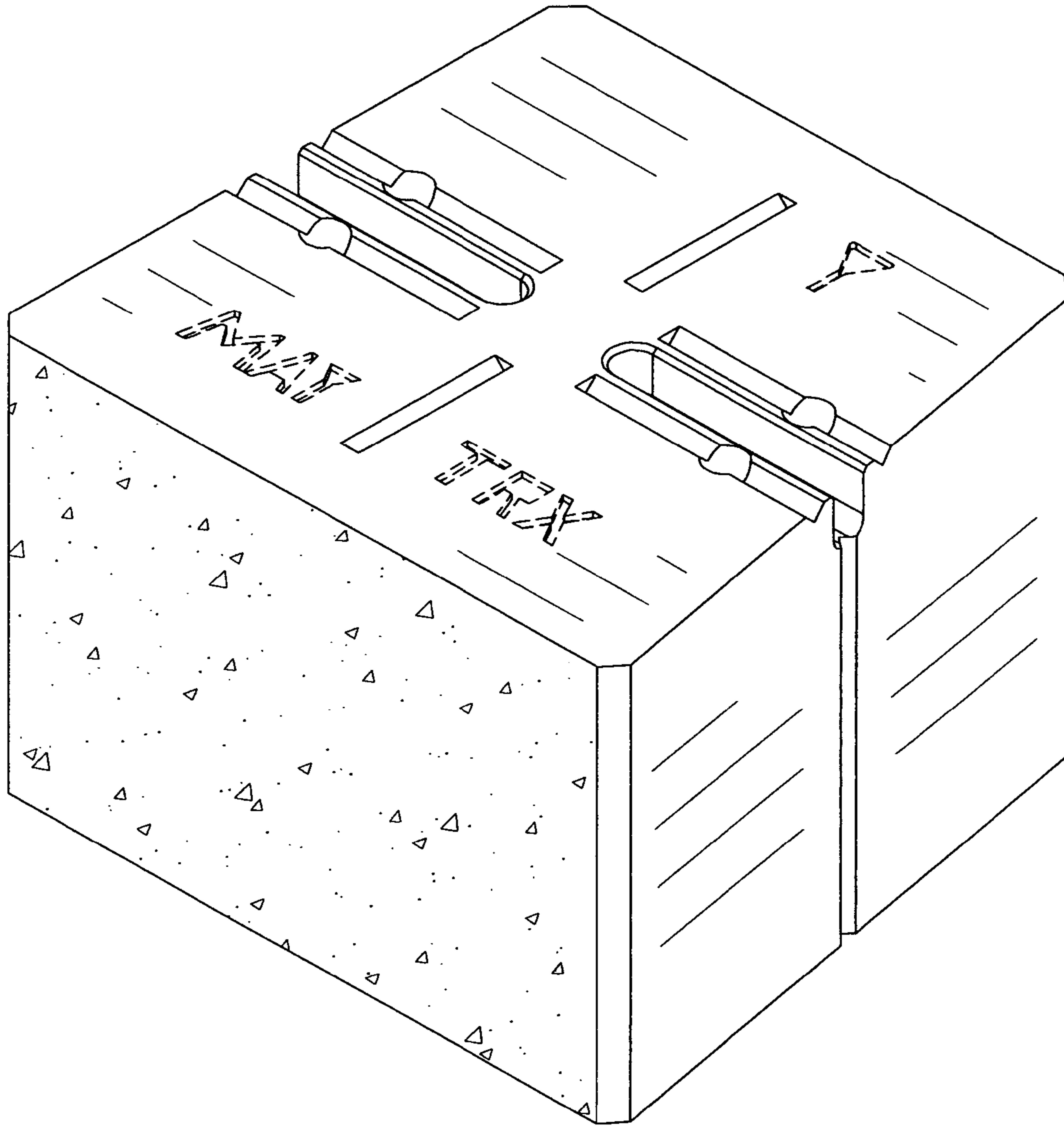


Fig. 22

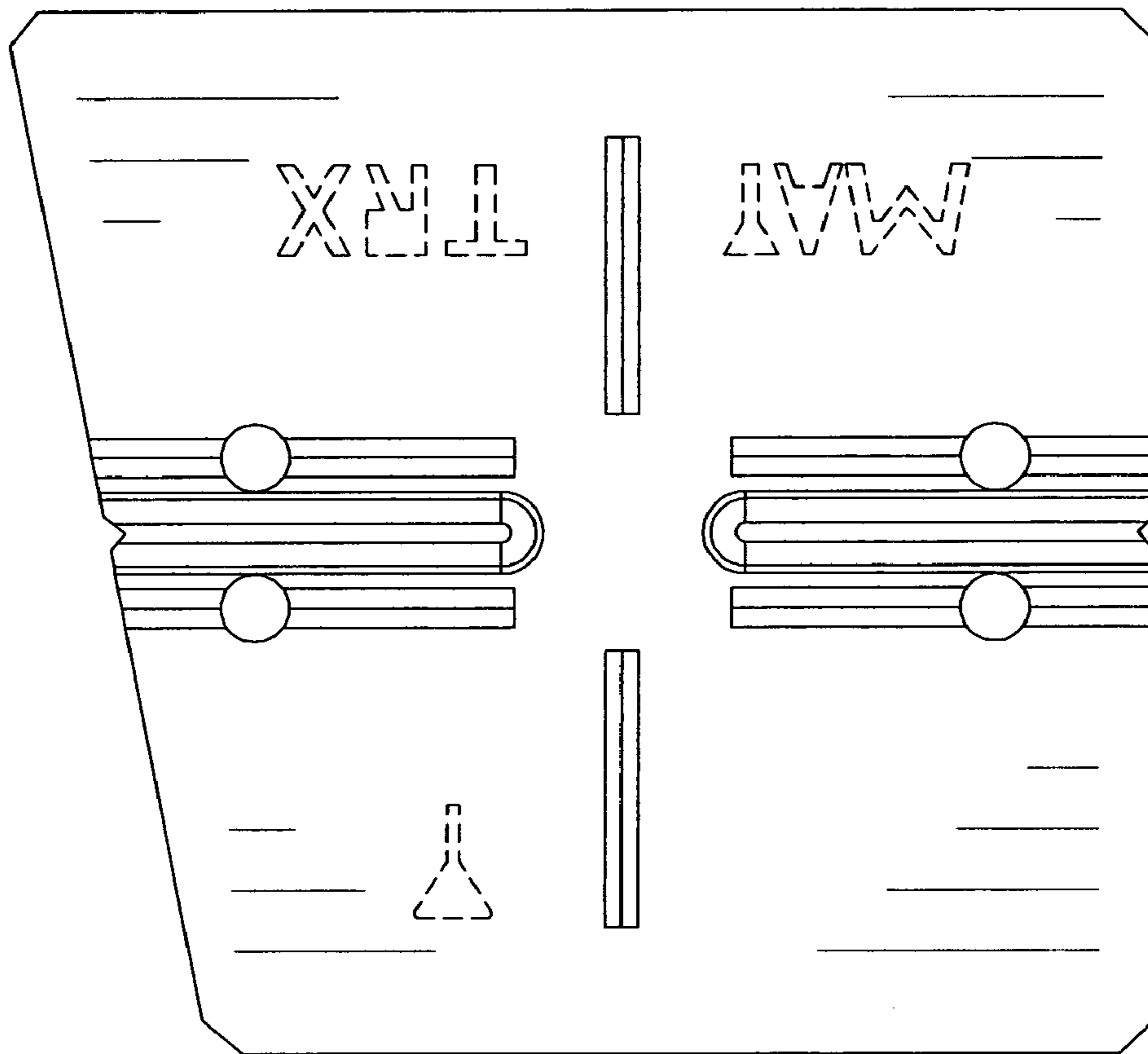


Fig. 23

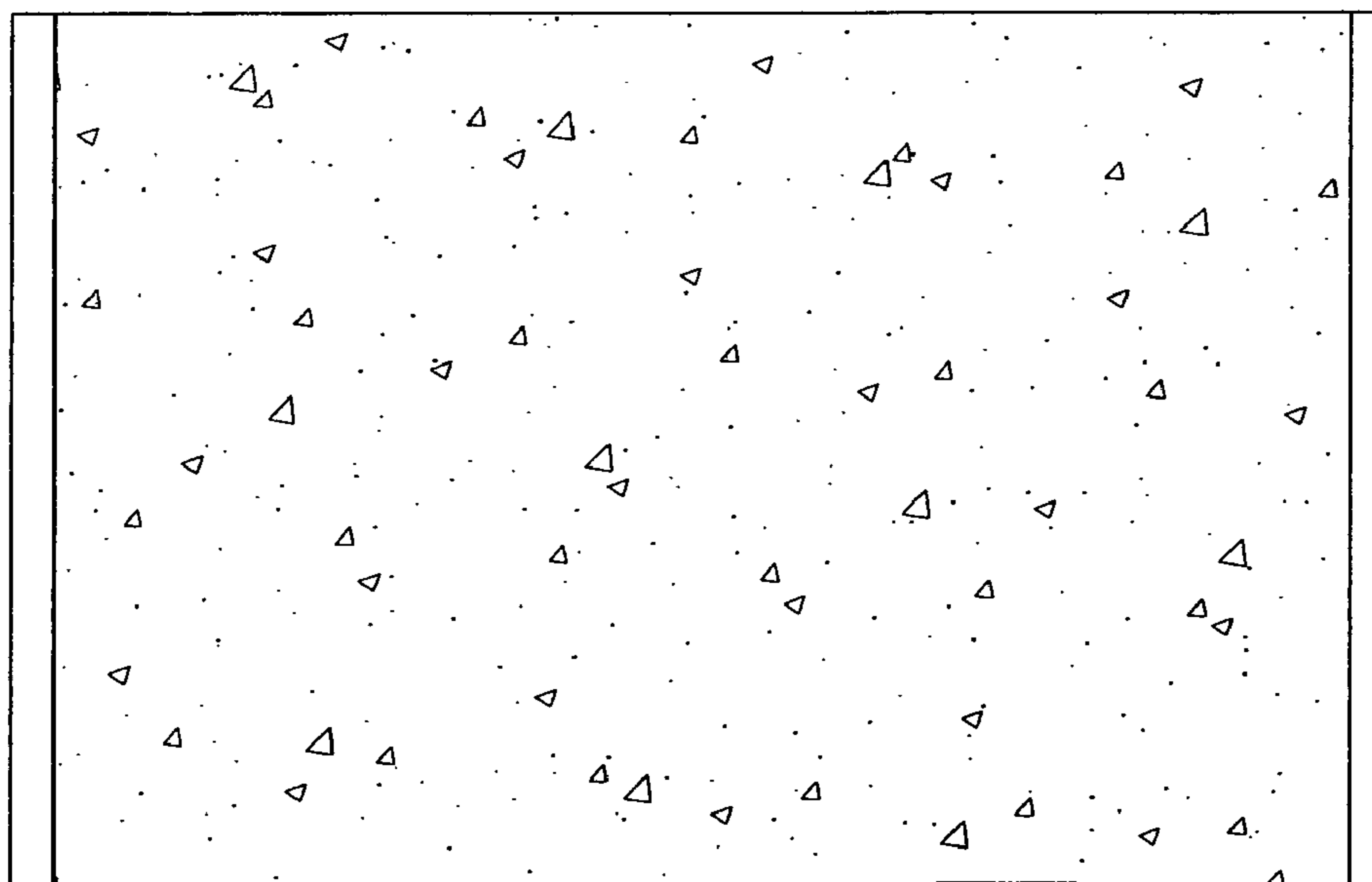


Fig. 24

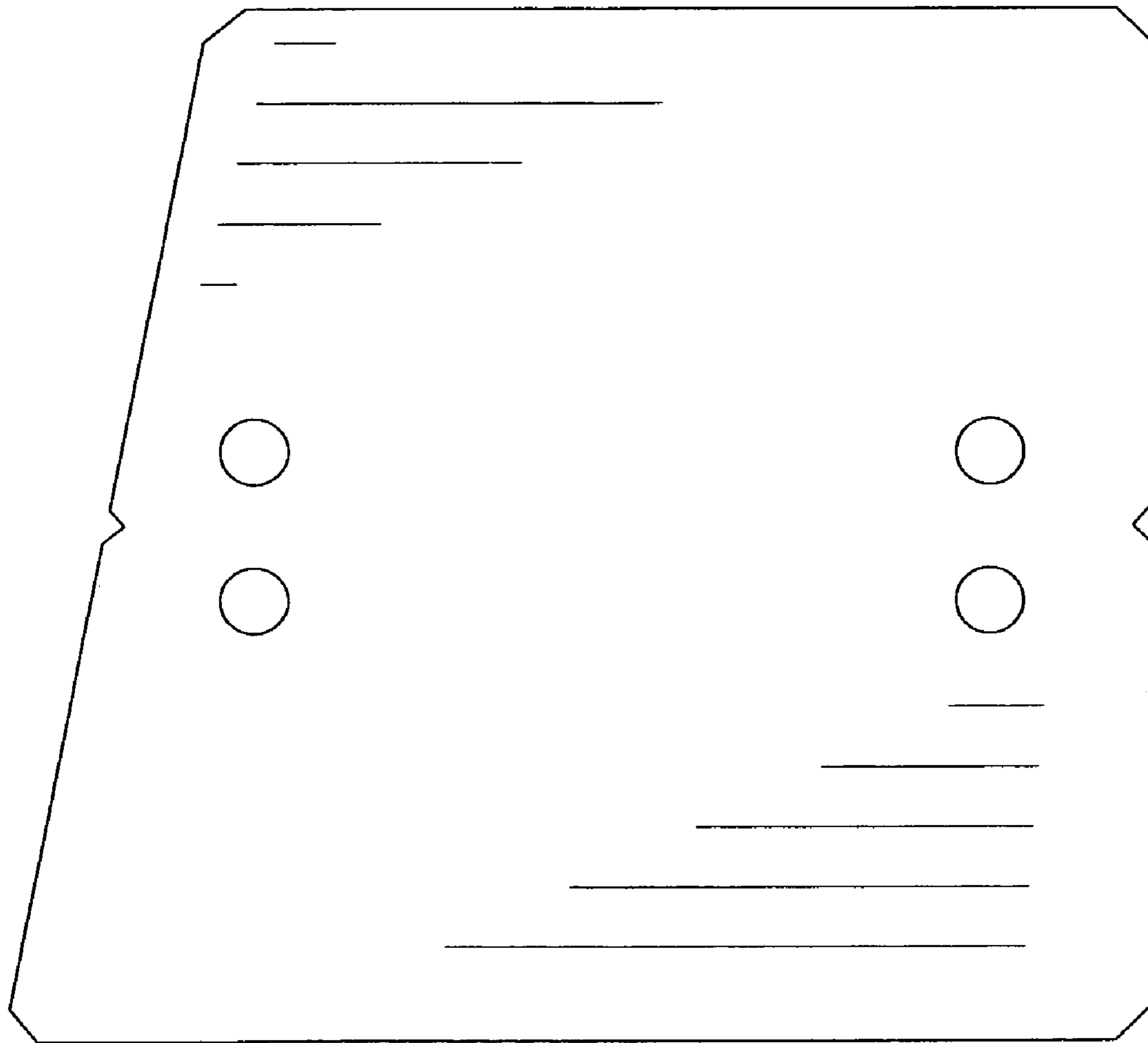


Fig. 25

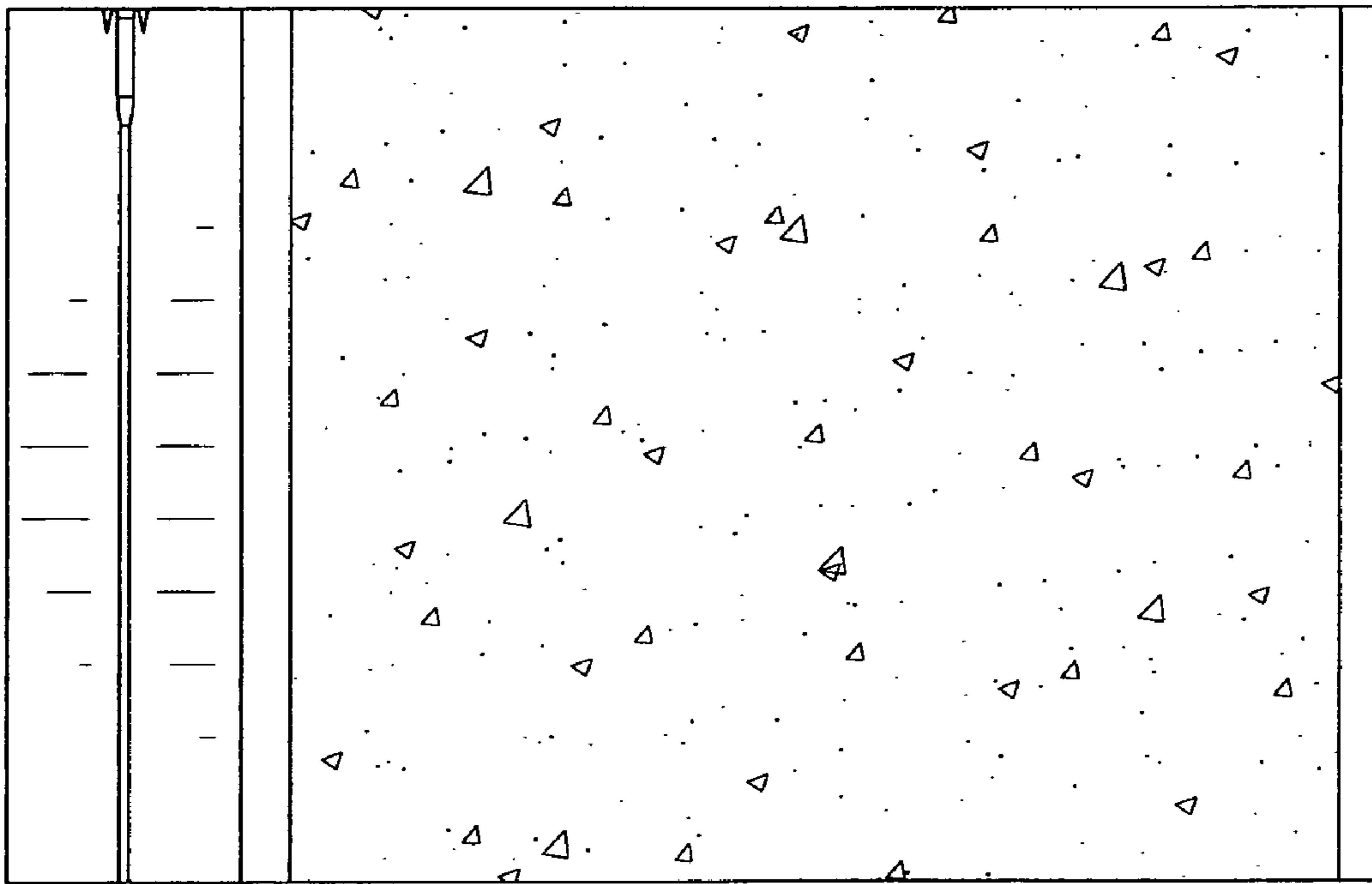


Fig. 26

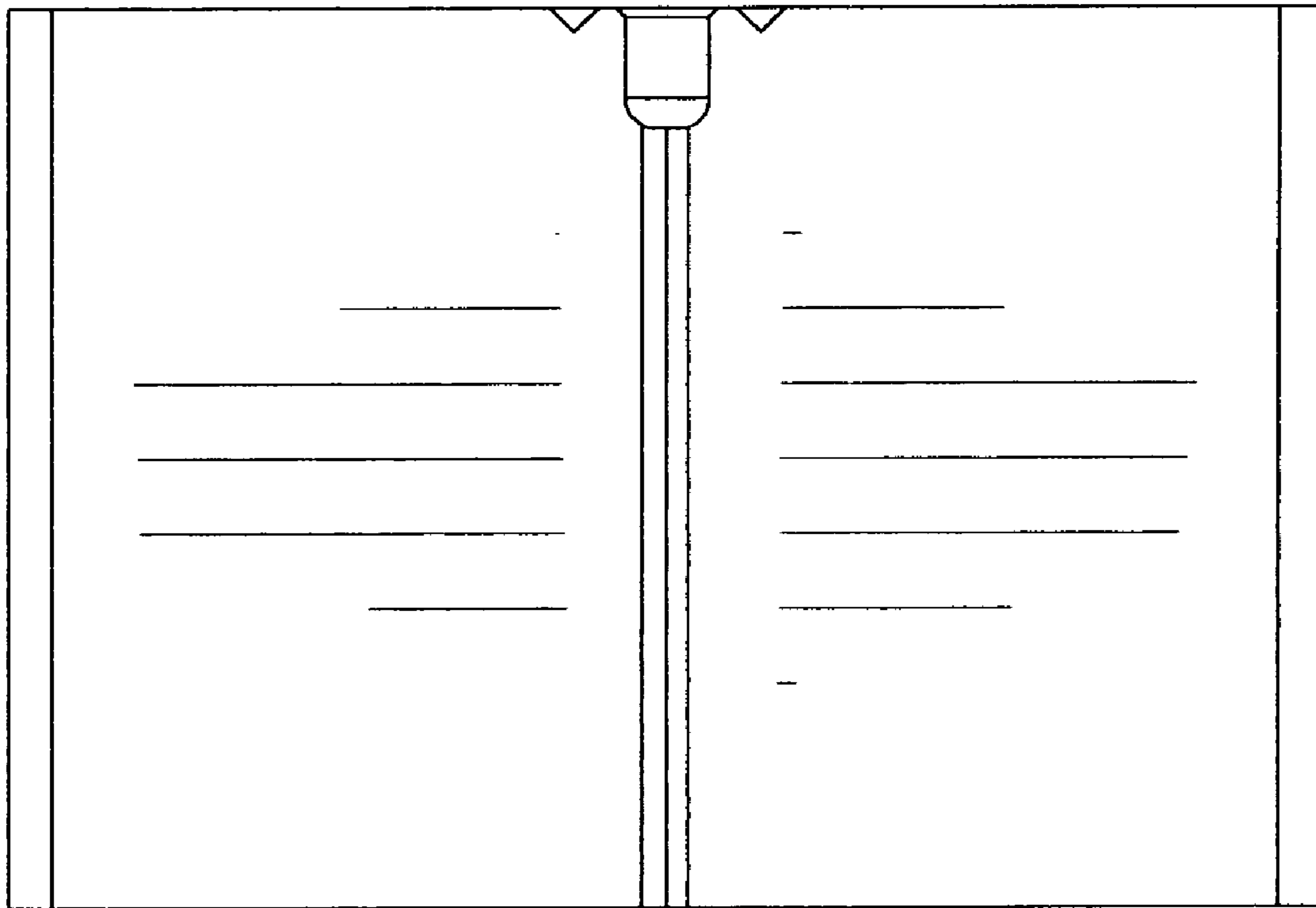


Fig. 27

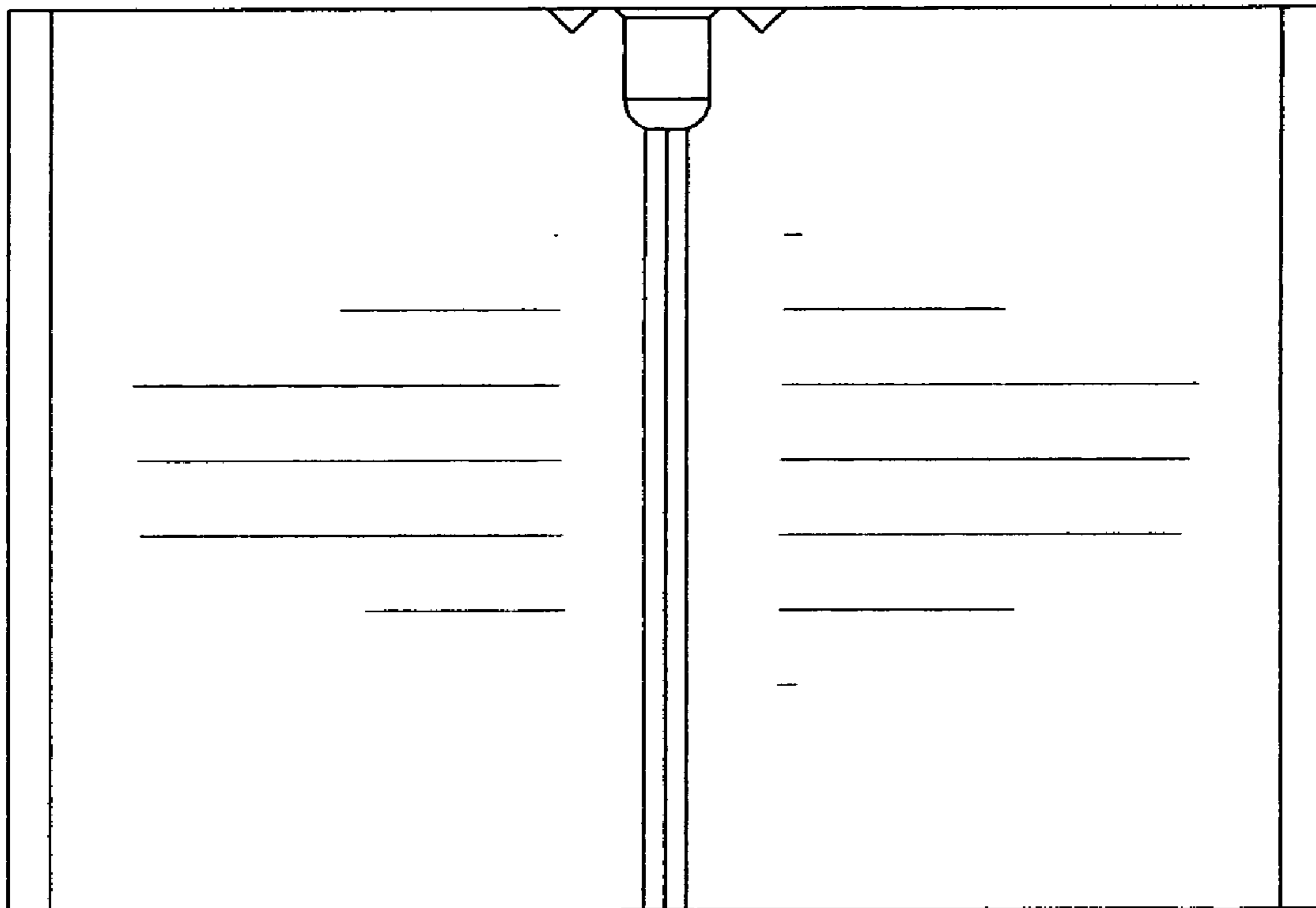


Fig. 28

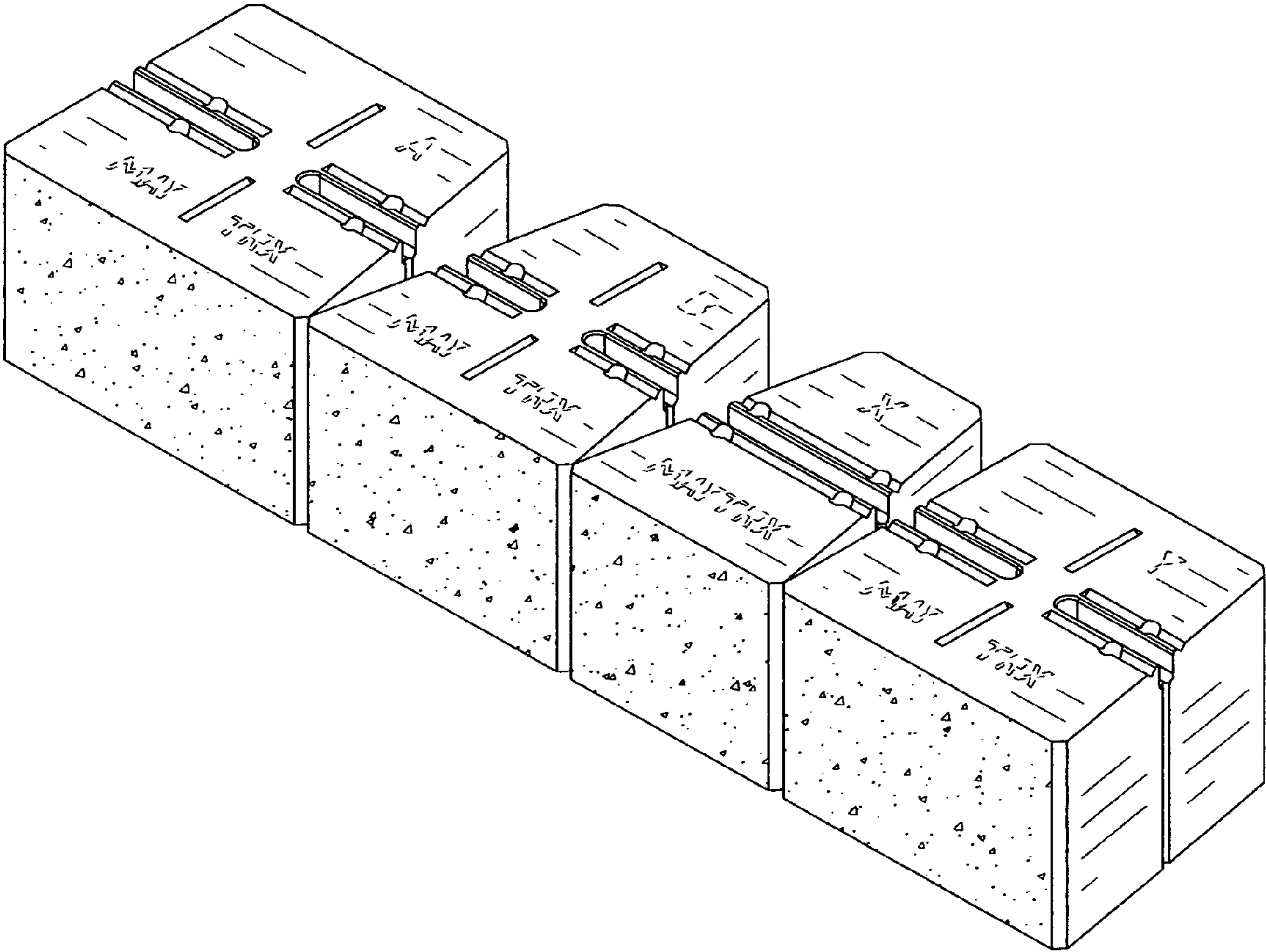


Fig. 29