



US00D620132S

(12) **United States Design Patent**  
**Han**

(10) **Patent No.:** **US D620,132 S**  
(45) **Date of Patent:** **\*\* Jul. 20, 2010**

(54) **LADDER**

(75) Inventor: **Chunwen Han**, Guangzhou (CN)

(73) Assignee: **Guangzhou Hansheng Trade Development Co., Ltd.** (CN)

(\*\*) Term: **14 Years**

(21) Appl. No.: **29/352,832**

(22) Filed: **Dec. 28, 2009**

(51) **LOC (9) Cl.** ..... **25-04**

(52) **U.S. Cl.** ..... **D25/64**

(58) **Field of Classification Search** ..... D25/64;  
182/129, 180.1, 194

See application file for complete search history.

(56) **References Cited**

**U.S. PATENT DOCUMENTS**

6,000,497	A *	12/1999	Kain et al.	.....	182/129
D447,817	S *	9/2001	Rosko	.....	D25/64
6,450,290	B1 *	9/2002	Spak	.....	182/165
D465,289	S *	11/2002	Gibson et al.	.....	D25/64
7,182,176	B2 *	2/2007	Gibson et al.	.....	182/129
2002/0017430	A1 *	2/2002	Rosko	.....	182/129

\* cited by examiner

*Primary Examiner*—Doris Clark

(74) *Attorney, Agent, or Firm*—Hani Z. Sayed; Rutan & Tucker, LLP

(57) **CLAIM**

The ornamental design of a ladder, as shown and described.

**DESCRIPTION**

FIG. 1 is a front left side perspective view of the ladder in an embodiment of the present invention;

FIG. 2 is a right side view of the ladder of the present invention;

FIG. 3 is a bottom view of the ladder of the present invention;

FIG. 4 is a top view of the ladder of the present invention;

FIG. 5 is a back view of the ladder of the present invention;

FIG. 6 is a front perspective view of the ladder of the present invention;

FIG. 7 is a partially collapsed right side elevation view of the ladder of the present invention;

FIG. 8 is a partially collapsed back side perspective view of the ladder of the present invention;

FIG. 9 is a collapsed left side perspective view of the ladder of the present invention; and,

FIG. 10 is a back collapsed view of the ladder of the present invention.

**1 Claim, 6 Drawing Sheets**

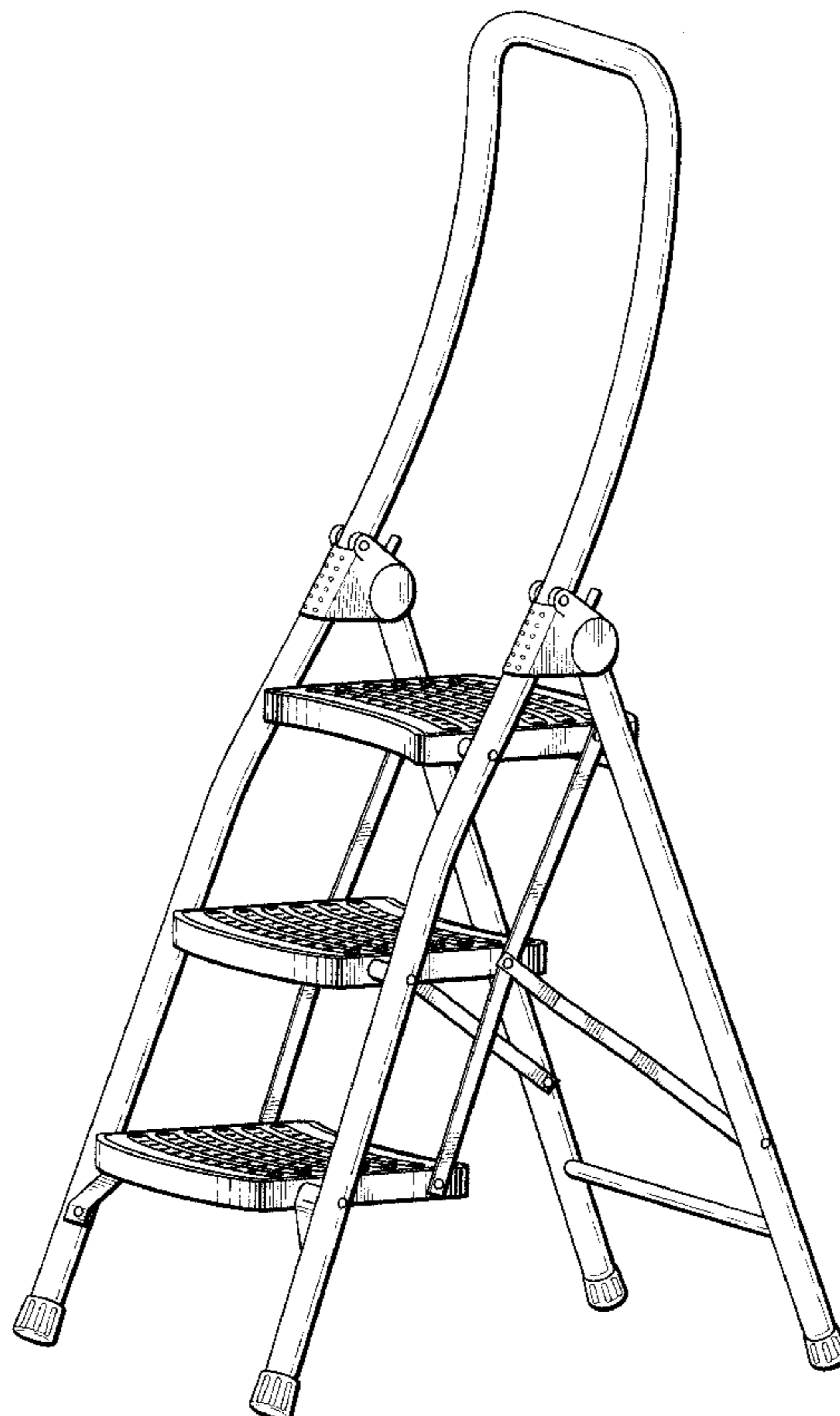


FIG. 1

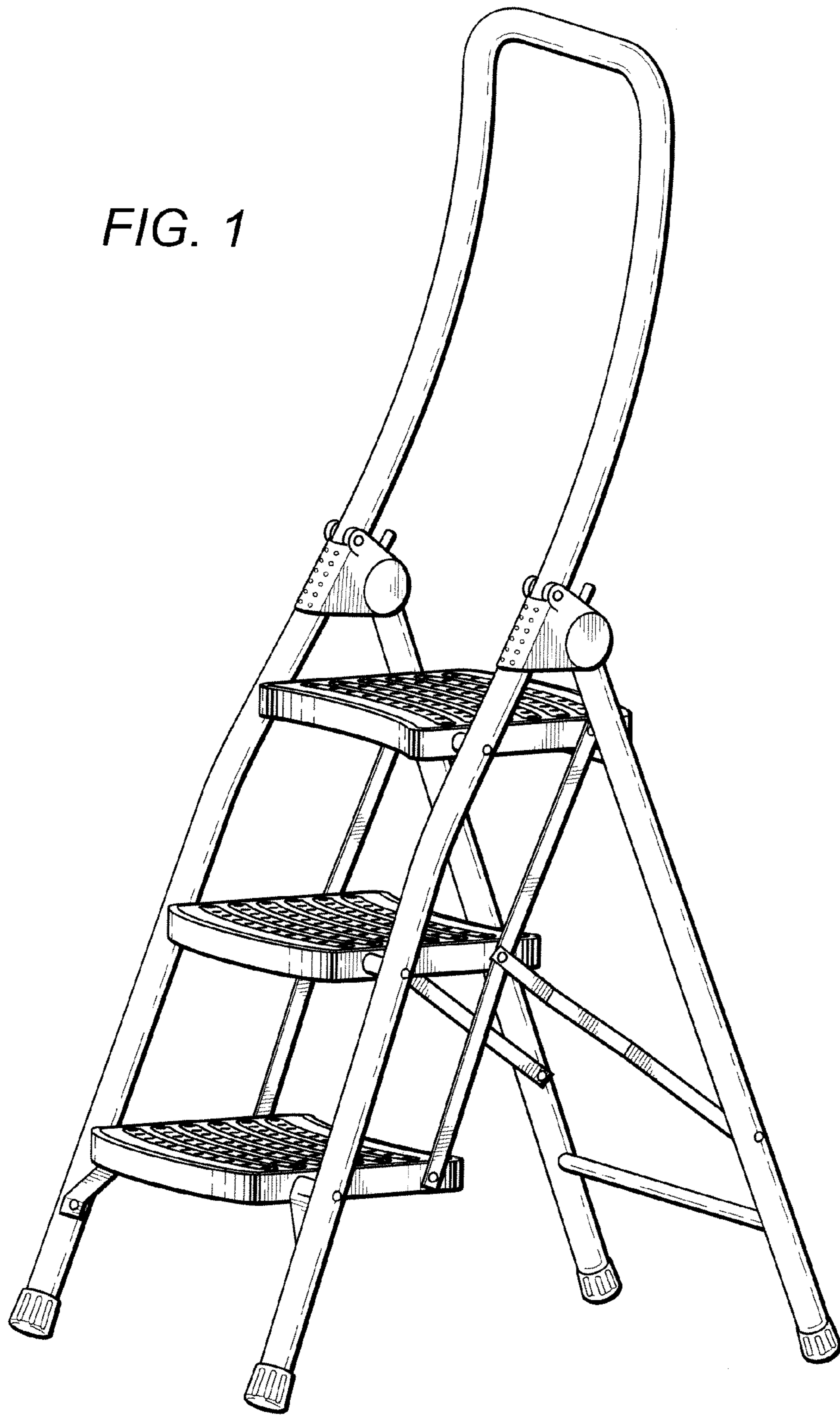
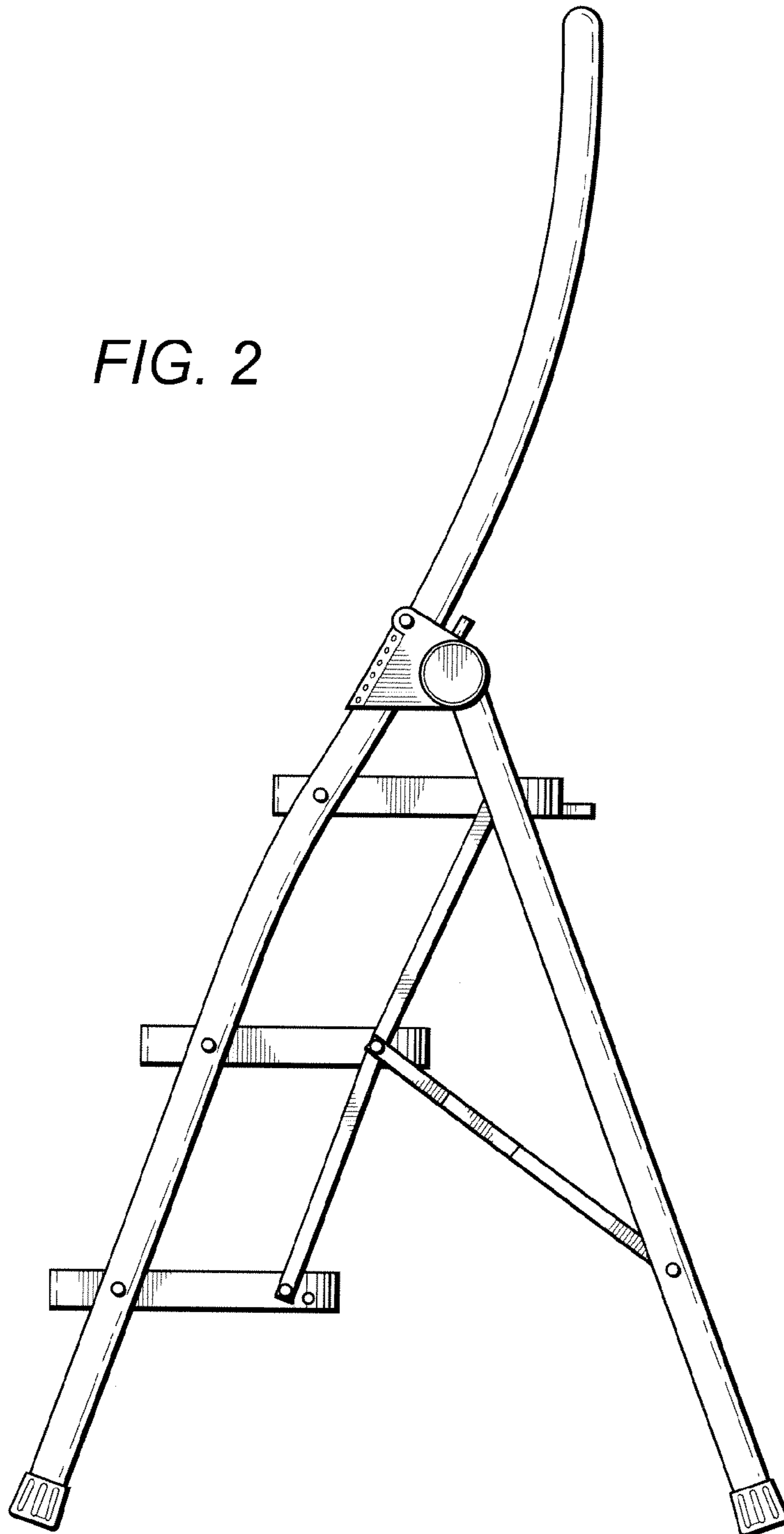


FIG. 2



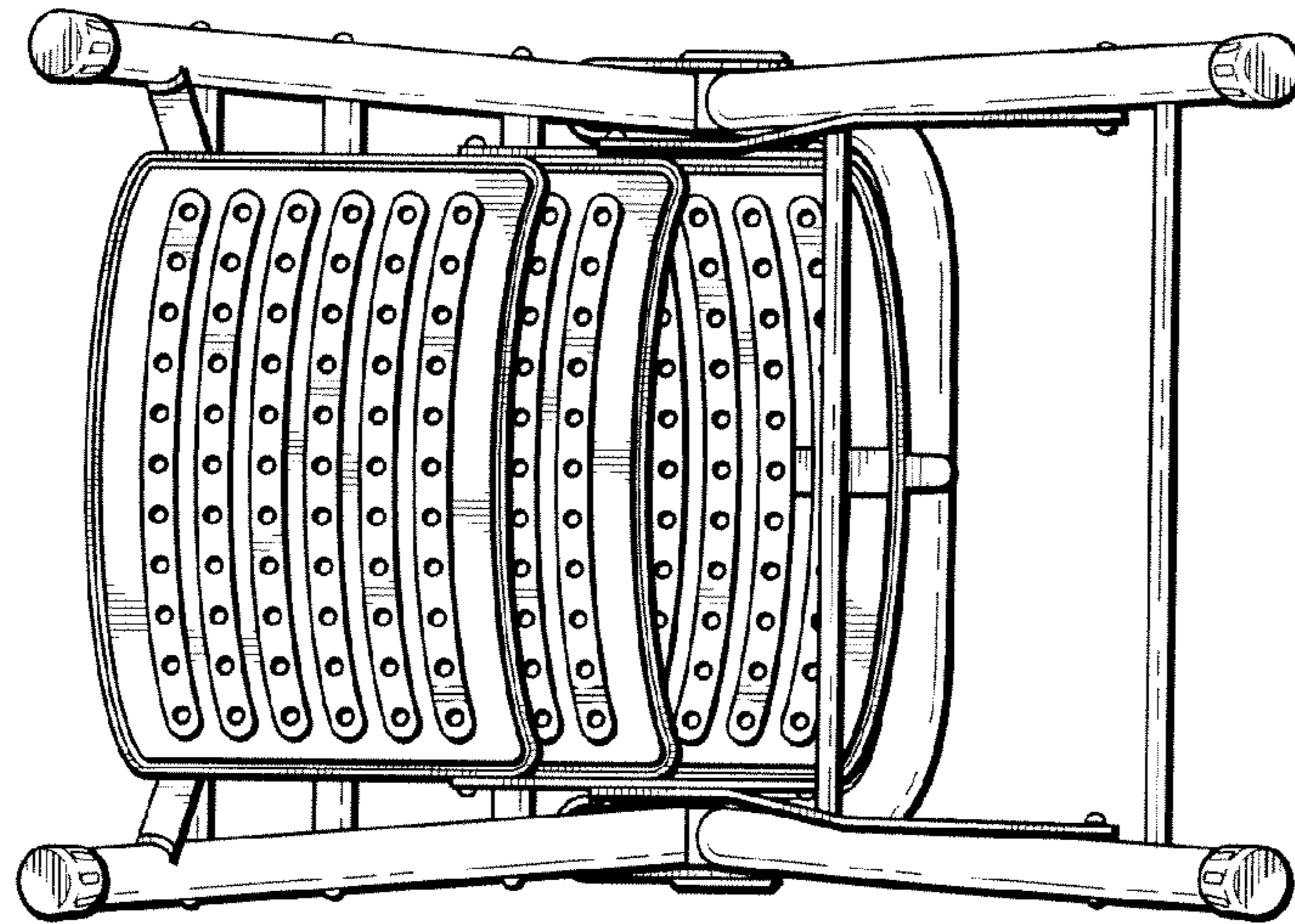


FIG. 3

FIG. 4

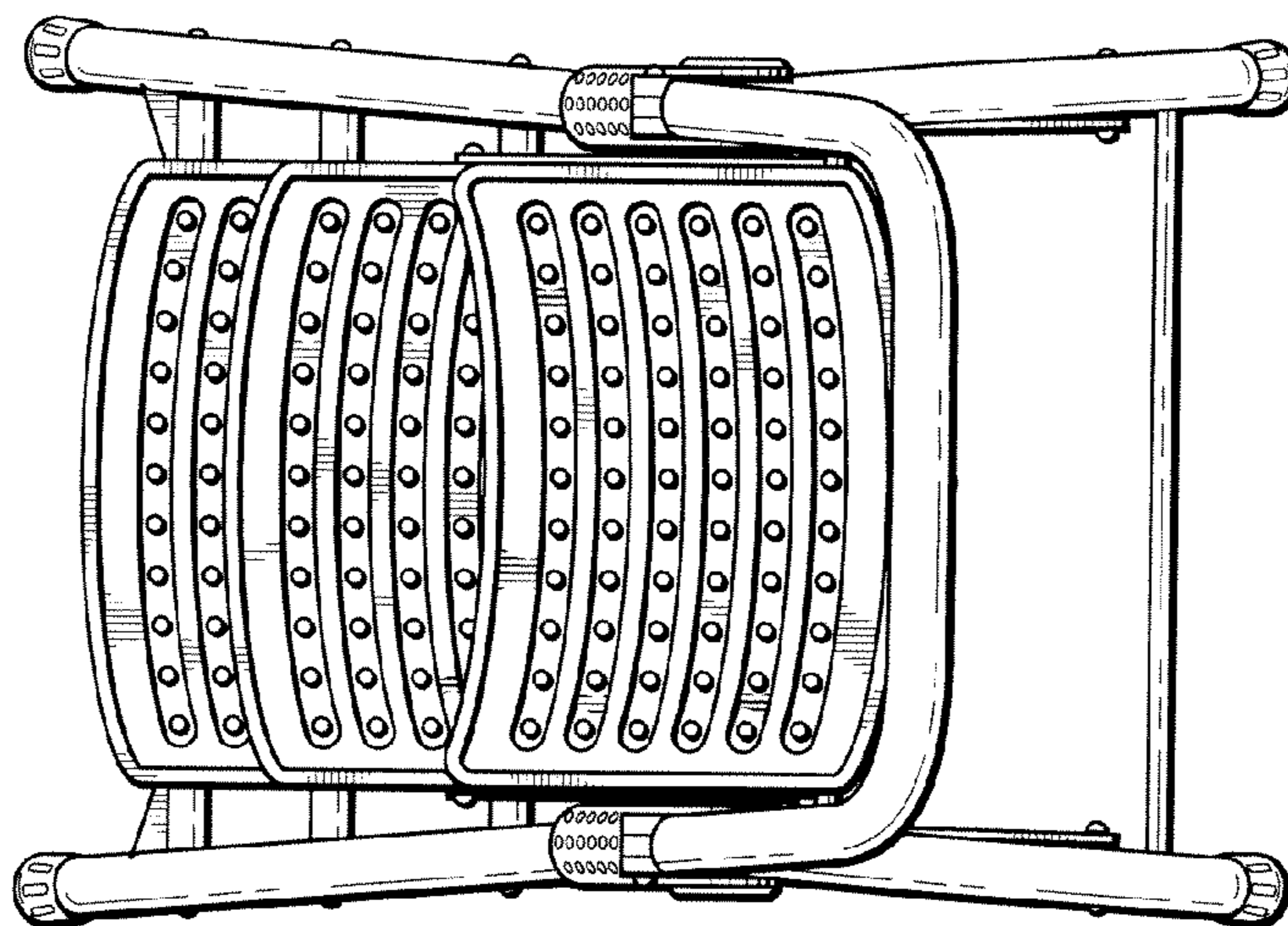




FIG. 5

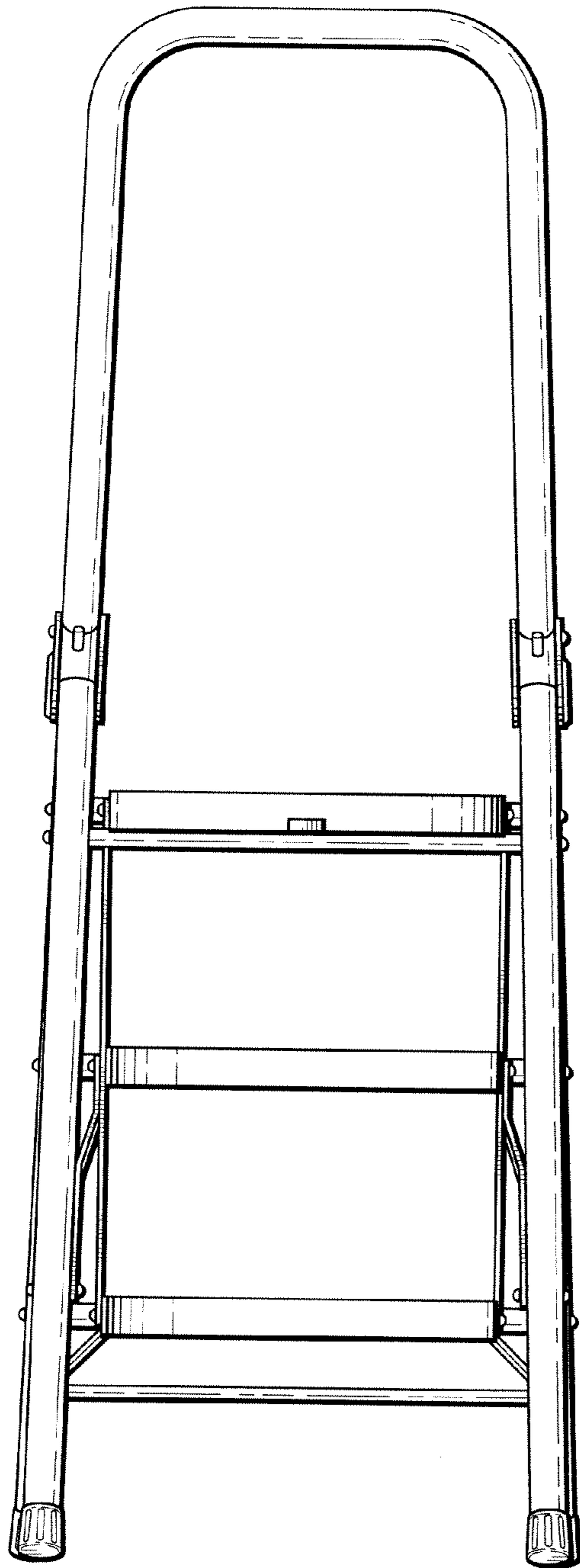


FIG. 6

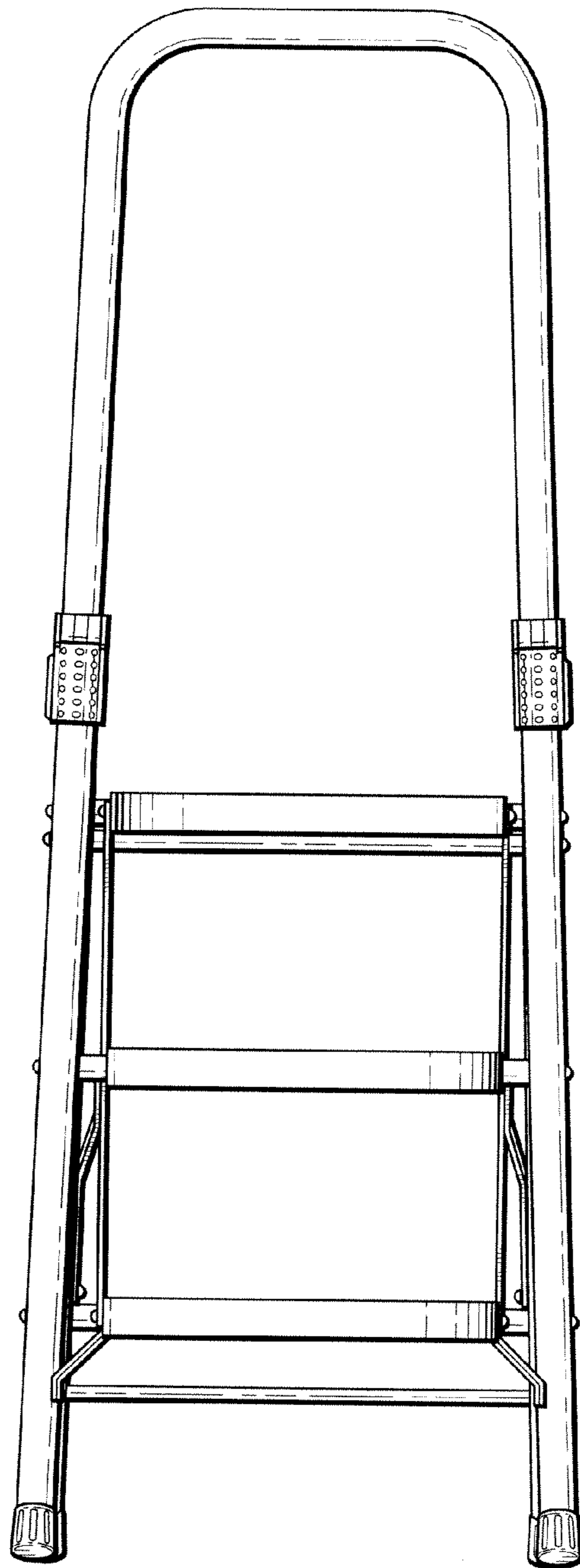


FIG. 8

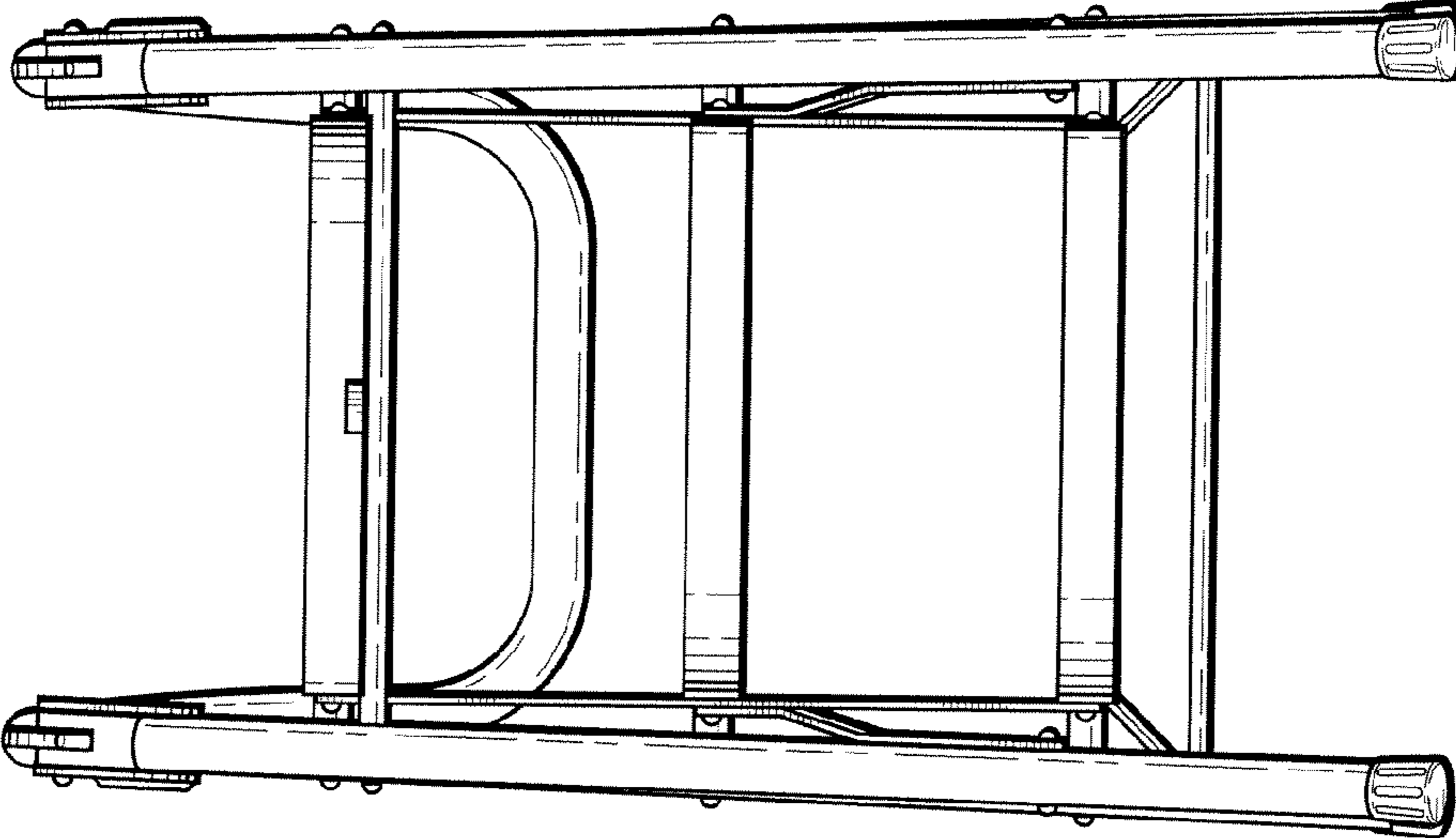


FIG. 7

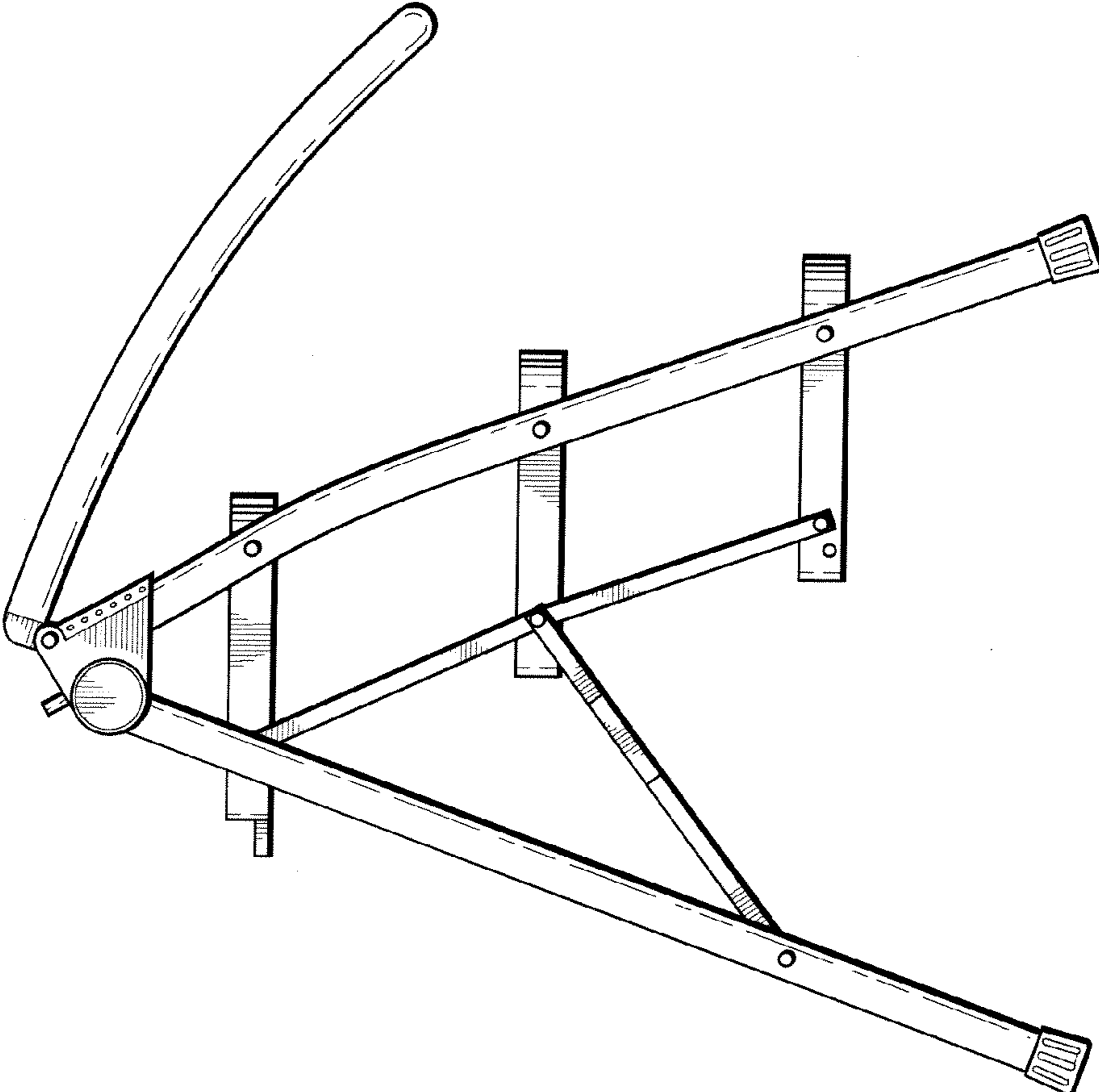


FIG. 10

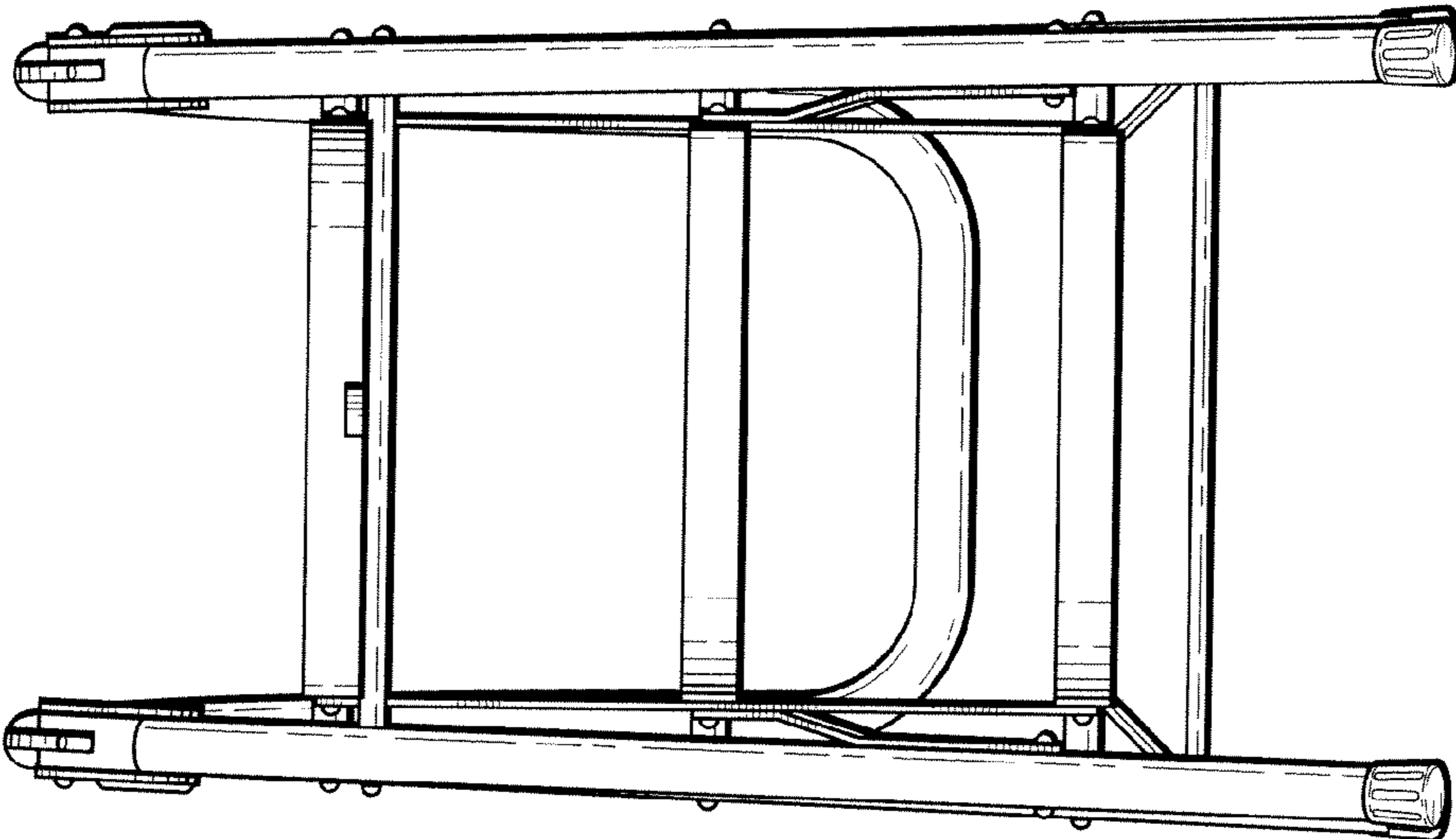


FIG. 9

