



US00D620131S

(12) **United States Design Patent**
Ray et al.

(10) **Patent No.:** **US D620,131 S**
(45) **Date of Patent:** **** Jul. 20, 2010**

(54) **ROOF HATCH**

(75) Inventors: **Tom Ray**, Little Canada, MN (US);
John R. Chiodo, Columbia Heights, MN
(US); **Dean Loegering**, Fridley, MN
(US); **Tom Sichak**, Brooklyn Park, MN
(US)

(73) Assignee: **Nystrom, Inc.**, Brooklyn Park, MN (US)

(**) Term: **14 Years**

(21) Appl. No.: **29/351,999**

(22) Filed: **Dec. 15, 2009**

(51) **LOC (9) Cl.** **25-02**

(52) **U.S. Cl.** **D25/52**

(58) **Field of Classification Search** D25/52,
D25/199; 182/112; 256/1, 59; 52/19, 20
See application file for complete search history.

(56) **References Cited**

U.S. PATENT DOCUMENTS

D328,354 S * 7/1992 Hosoyama D25/52
5,373,665 A 12/1994 Lyons, Sr.

(Continued)

OTHER PUBLICATIONS

SMS Ostfriesland Photograph, 1921, Indexed by National Archives
and Records Administration 1946.

(Continued)

Primary Examiner—Doris Clark

(74) *Attorney, Agent, or Firm*—Patterson Thuent
Christensen Pedersen, P.A.

(57) **CLAIM**

We claim the ornamental design for roof hatch, as shown.

DESCRIPTION

FIG. 1 is a top, perspective view of a roof hatch according to
an embodiment of the invention.

FIG. 2 is a rear view of the roof hatch depicted in FIG. 1.

FIG. 3 is a front view of the roof hatch depicted in FIG. 1.

FIG. 4 is a left side view of the roof hatch depicted in FIG. 1.

FIG. 5 is a right side view of the roof hatch depicted in FIG.
1.

FIG. 6 is a top view of the roof hatch depicted in FIG. 1.

FIG. 7 is a top, perspective view of a roof hatch according to
a second embodiment of the invention.

FIG. 8 is a rear view of the roof hatch depicted in FIG. 7.

FIG. 9 is a front view of the roof hatch depicted in FIG. 7.

FIG. 10 is a right side view of the roof hatch depicted in FIG.
7.

FIG. 11 is a left side view of the roof hatch depicted in FIG. 7.

FIG. 12 is a top view of the roof hatch depicted in FIG. 7.

FIG. 13 is a top, perspective view of a roof hatch according to
a third embodiment of the invention.

FIG. 14 is a right side view of the roof hatch depicted in FIG.
13.

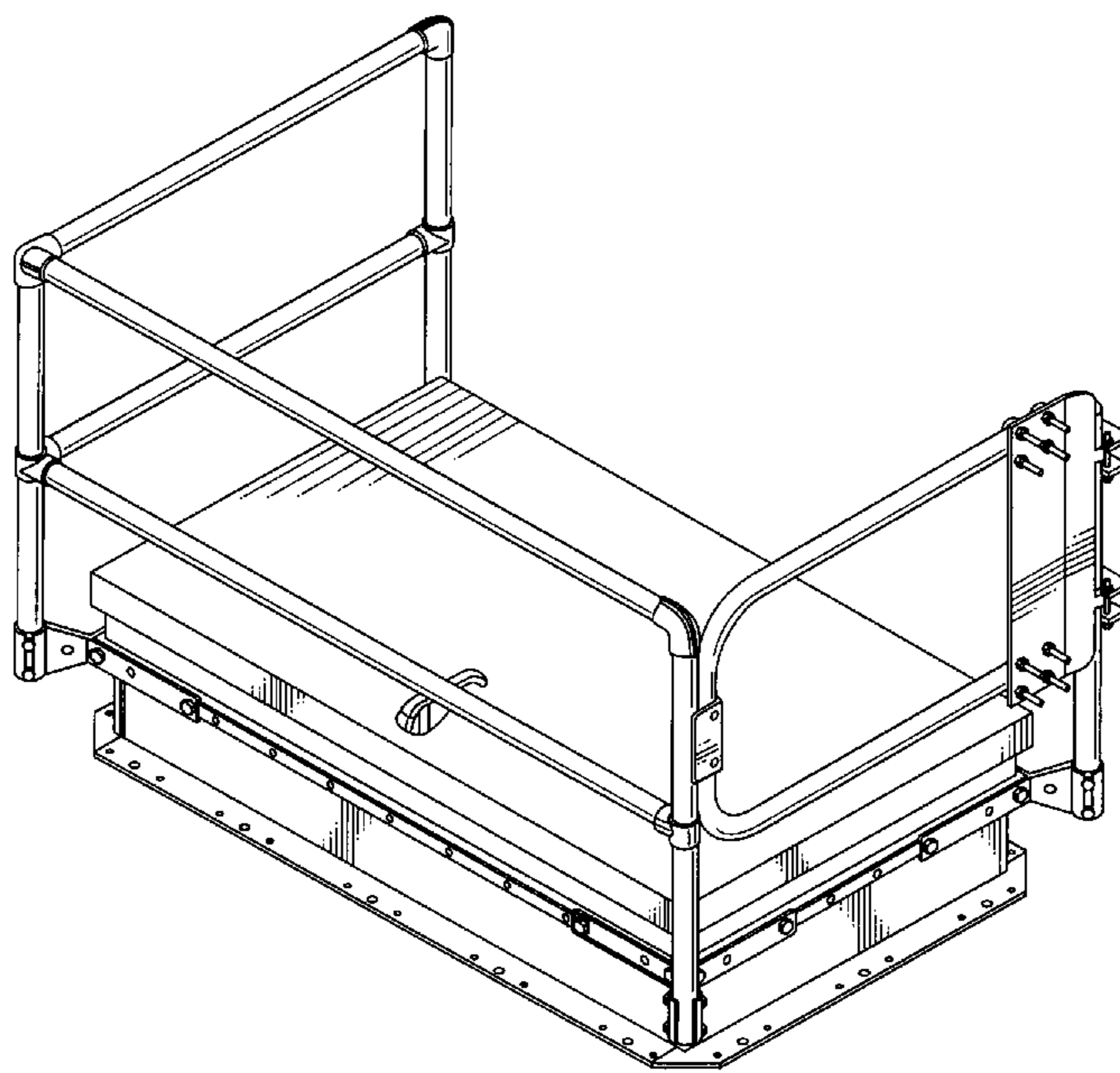
FIG. 15 is a left side view of the roof hatch depicted in FIG.
13.

FIG. 16 is a rear view of the roof hatch depicted in FIG. 13.

FIG. 17 is a front view of the roof hatch depicted in FIG. 13;
and,

FIG. 18 is a top view of the roof hatch depicted in FIG. 13.

1 Claim, 13 Drawing Sheets



US D620,131 S

Page 2

U.S. PATENT DOCUMENTS

D396,301	S	*	7/1998	Fujimoto et al.	D25/52	6,688,046	B2	2/2004	Perkins	
5,941,024	A		8/1999	Journault		6,931,793	B2	8/2005	Joyce et al.	
5,960,596	A		10/1999	Lyons, Sr.		7,516,575	B2	4/2009	Cuccurullo	
6,021,606	A		2/2000	Kos		2003/0106200	A1*	6/2003	Tobin	29/456
6,167,659	B1		1/2001	Swindell, III		2004/0104382	A1	6/2004	Collins et al.	
6,272,800	B1		8/2001	Phinney et al.		2005/0006634	A1	1/2005	Cuccurullo	
6,467,230	B1		10/2002	Perkins et al.						
6,477,972	B2		11/2002	Perkins						
6,560,931	B1*		5/2003	Cermola	49/386					
6,672,020	B1		1/2004	Cermola et al.						
6,681,528	B1		1/2004	Profeta et al.						

OTHER PUBLICATIONS

Precision Ladders, LLC Brochure, Roof Hatches and Floor Doors, 2005, 4 pages.

* cited by examiner

Fig. 1

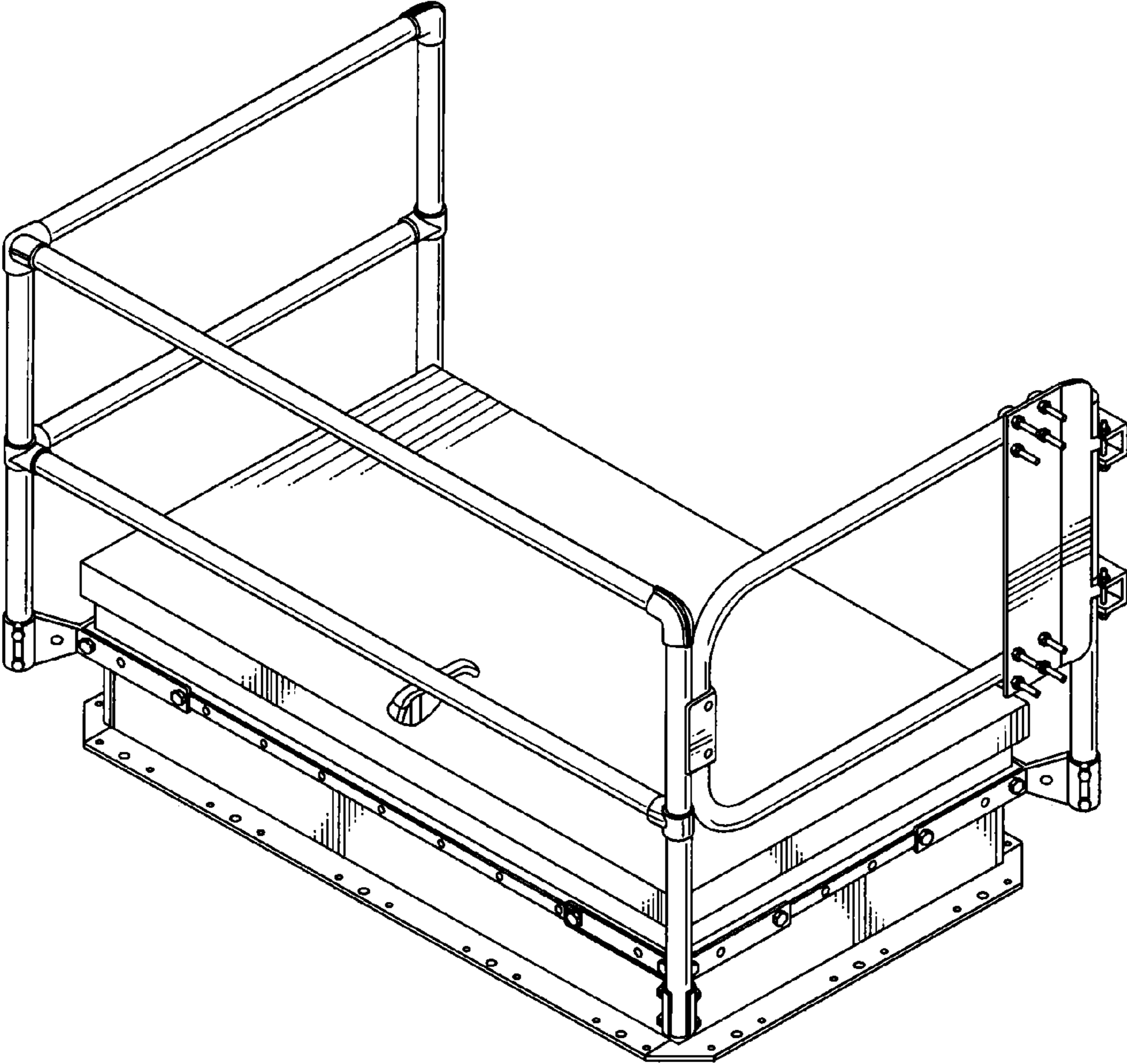


Fig. 2

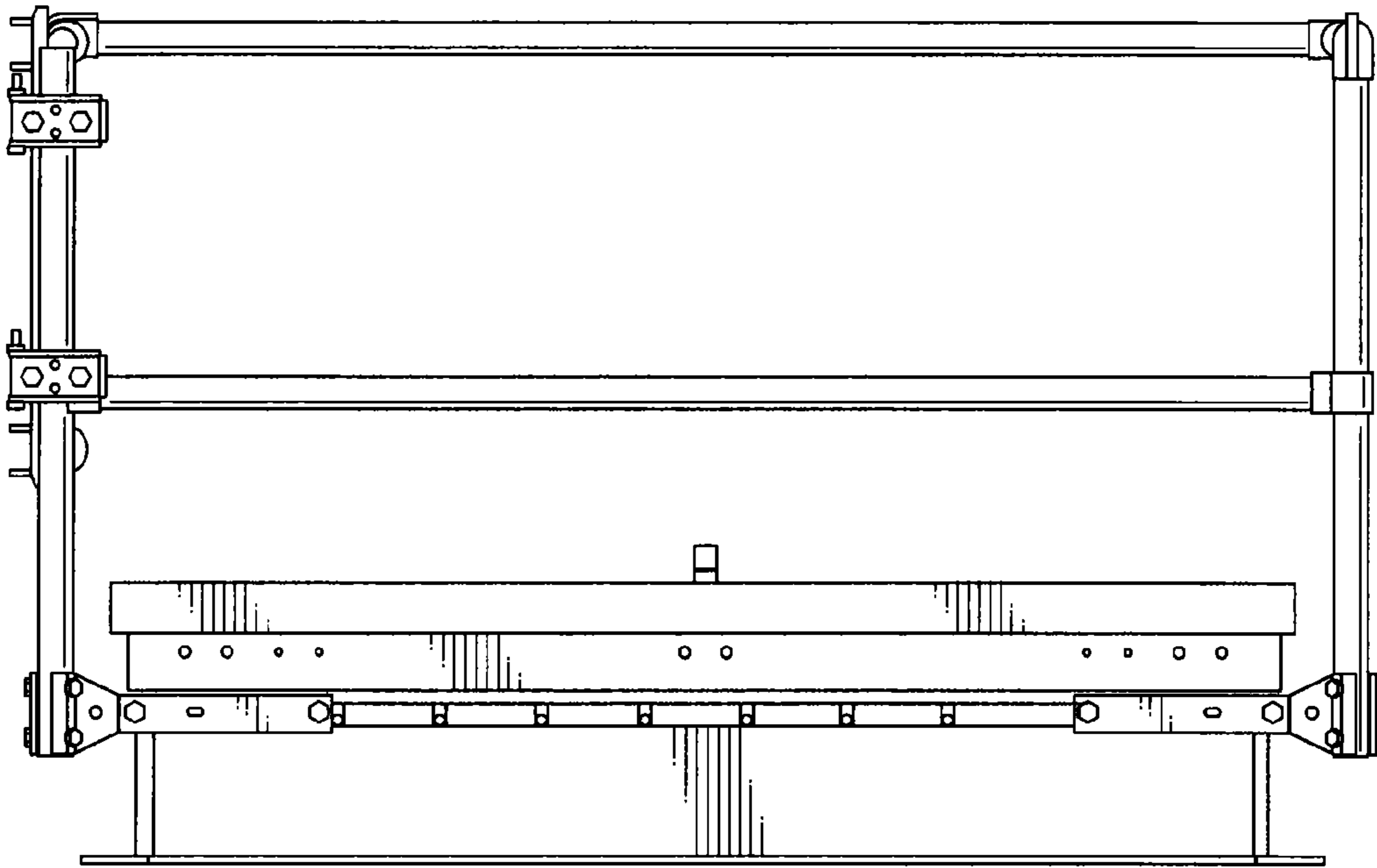


Fig. 3

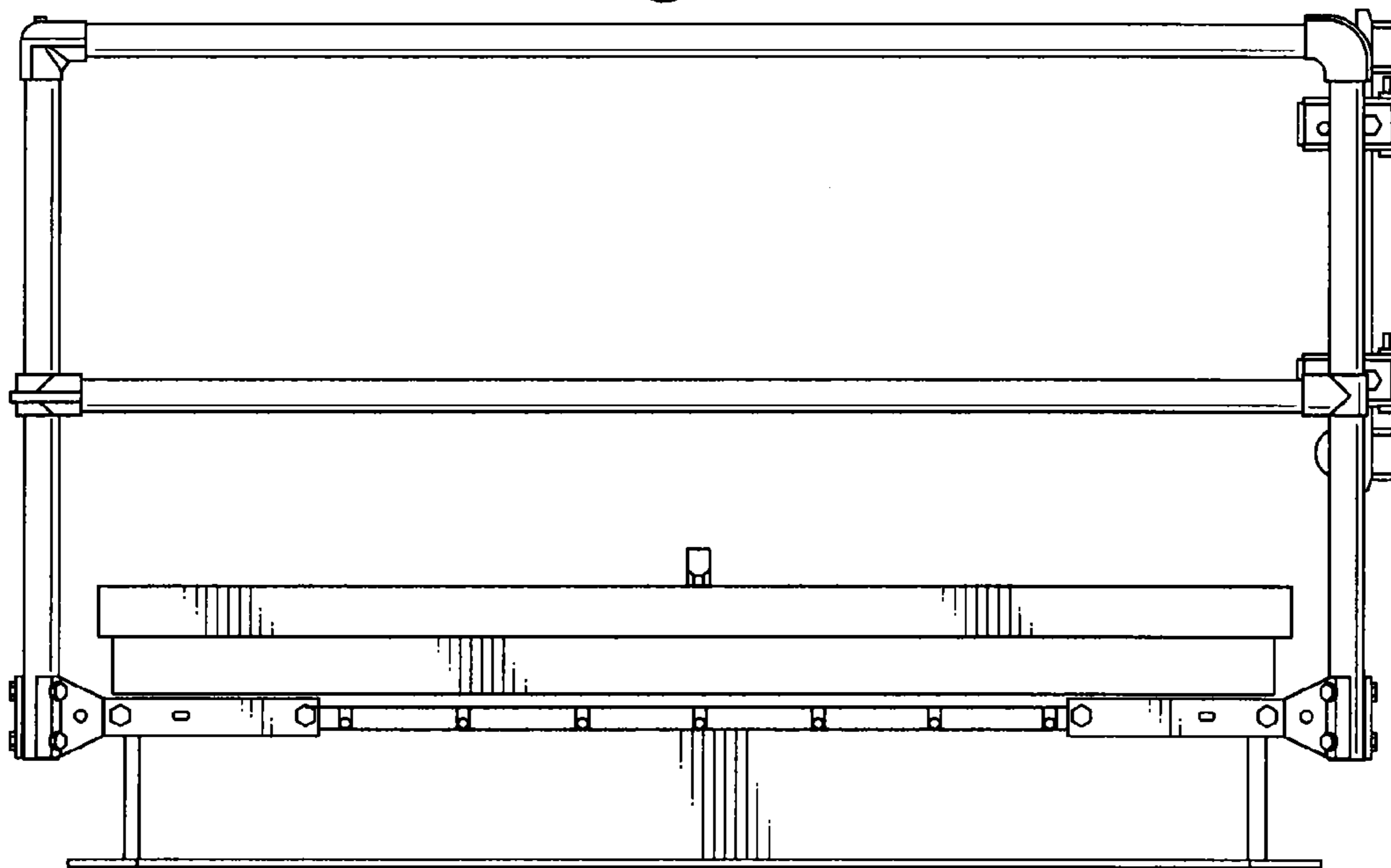


Fig. 4

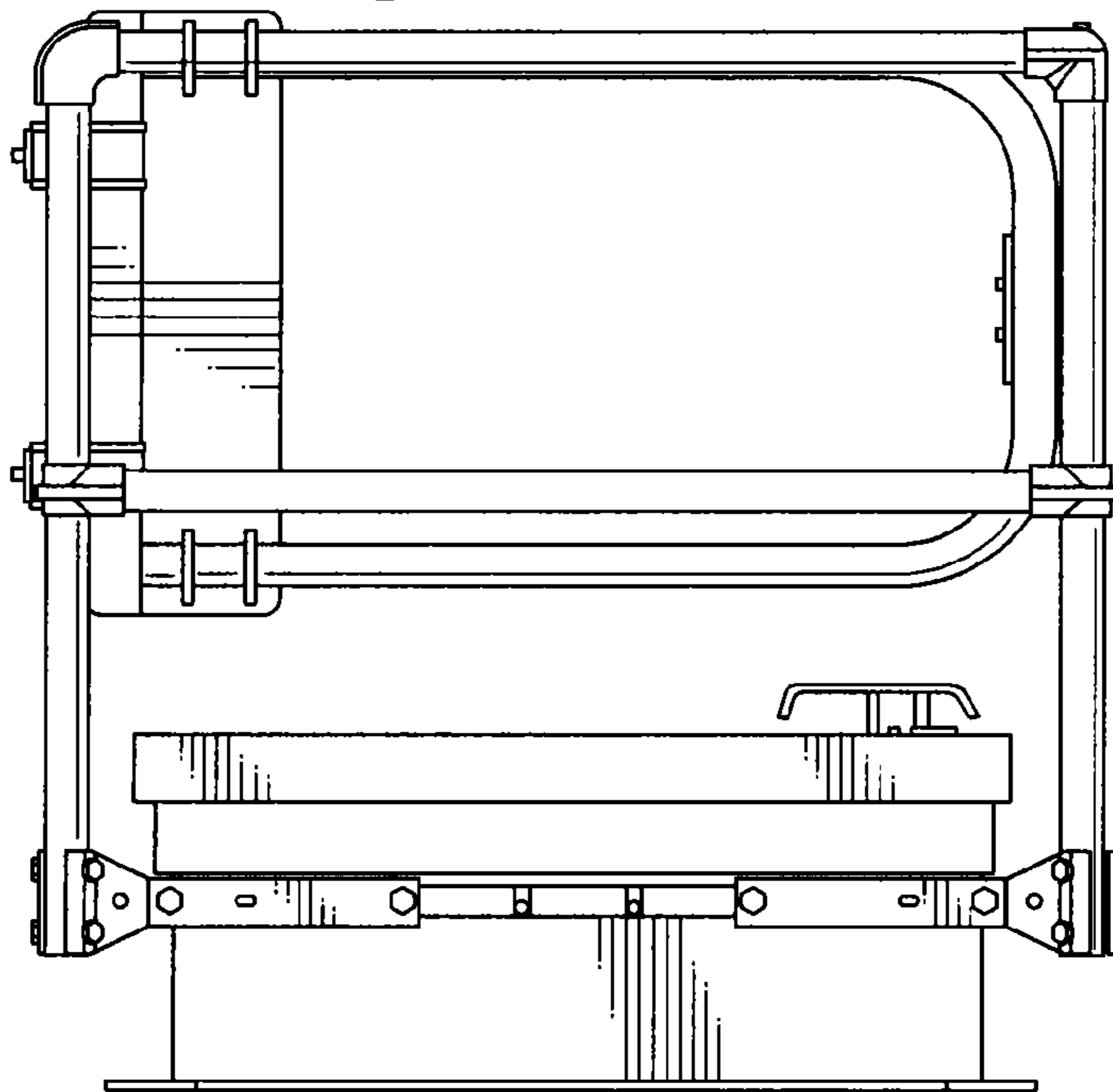


Fig. 5

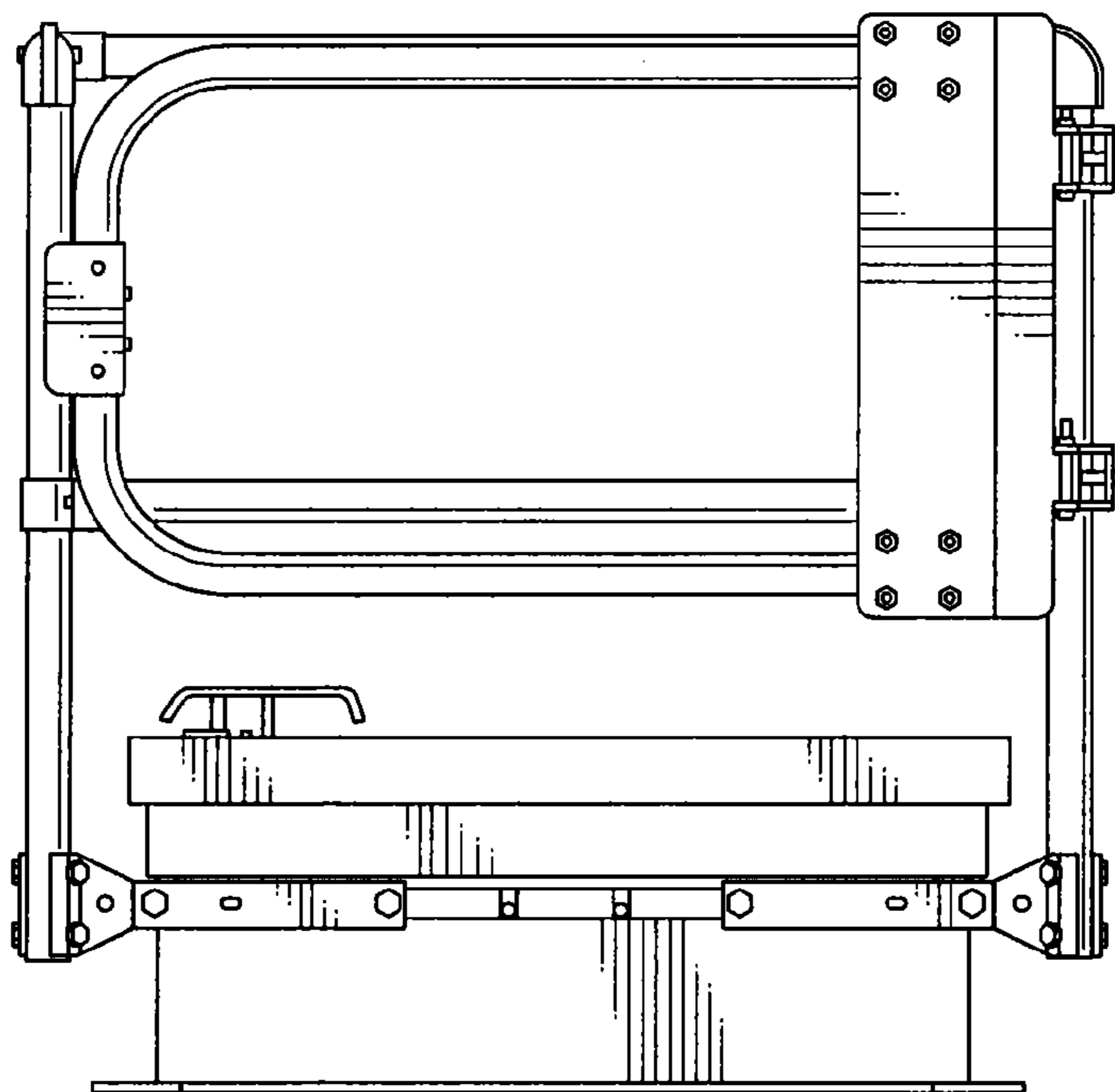
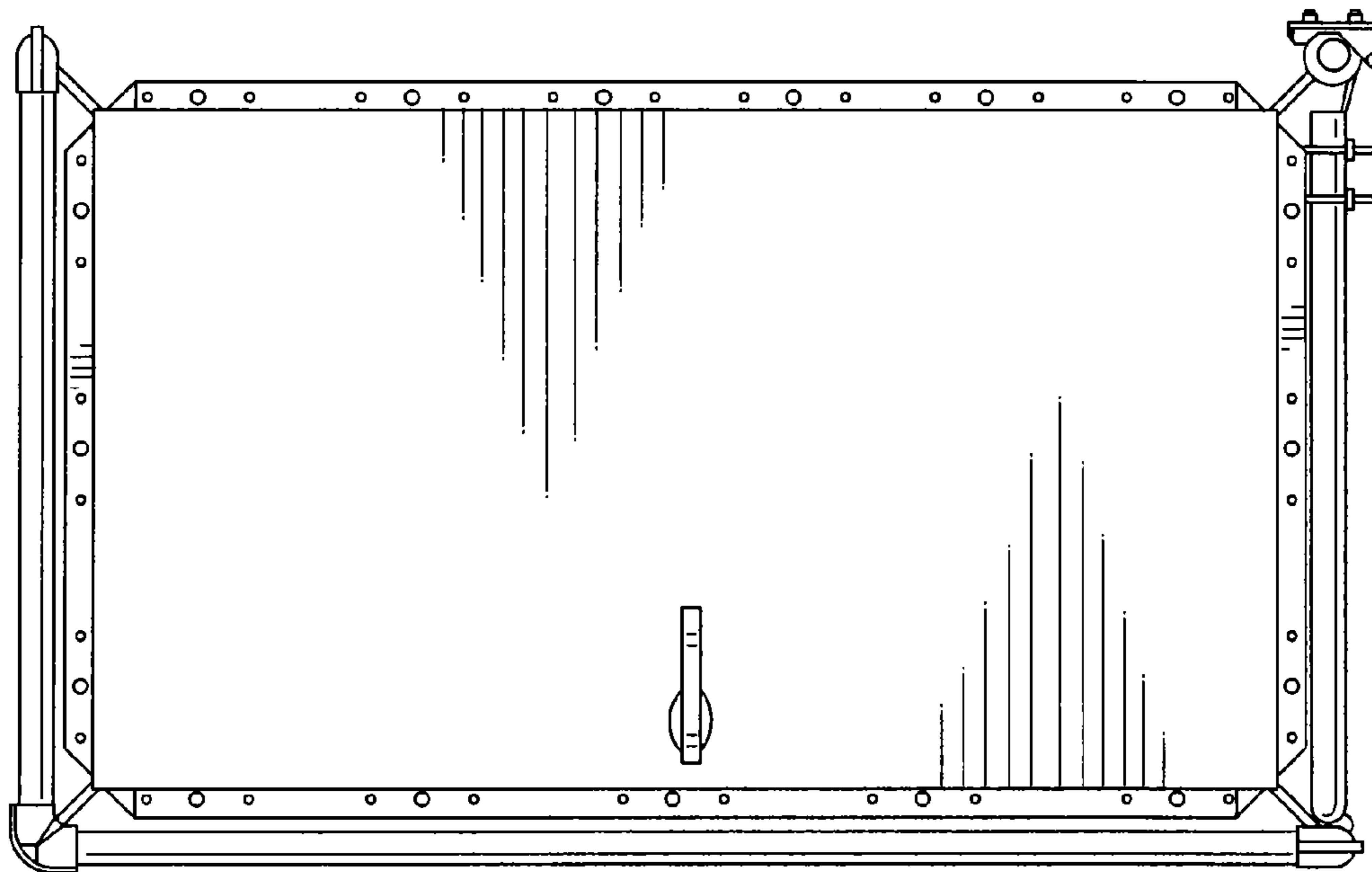


Fig. 6



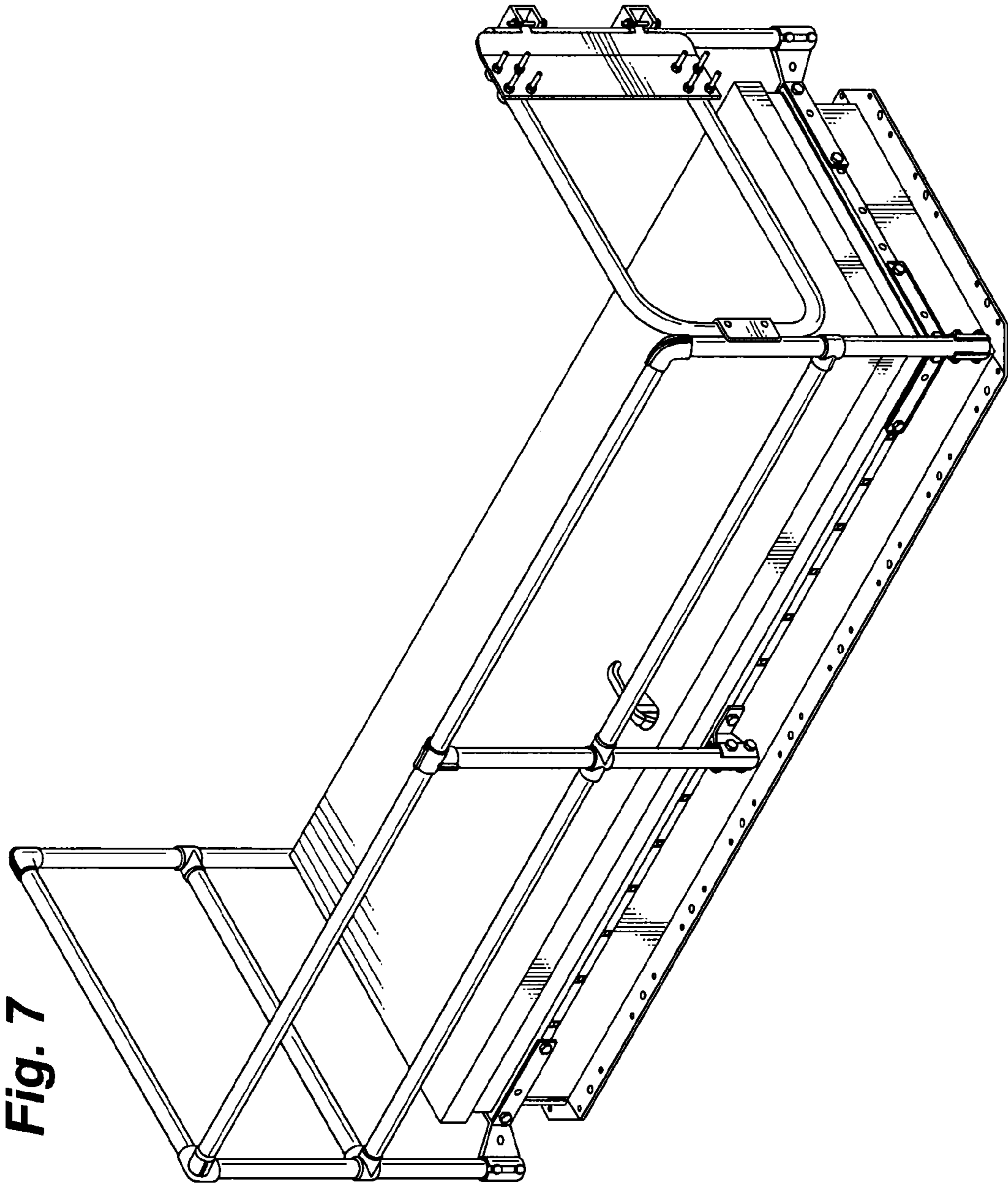


Fig. 7

Fig. 8

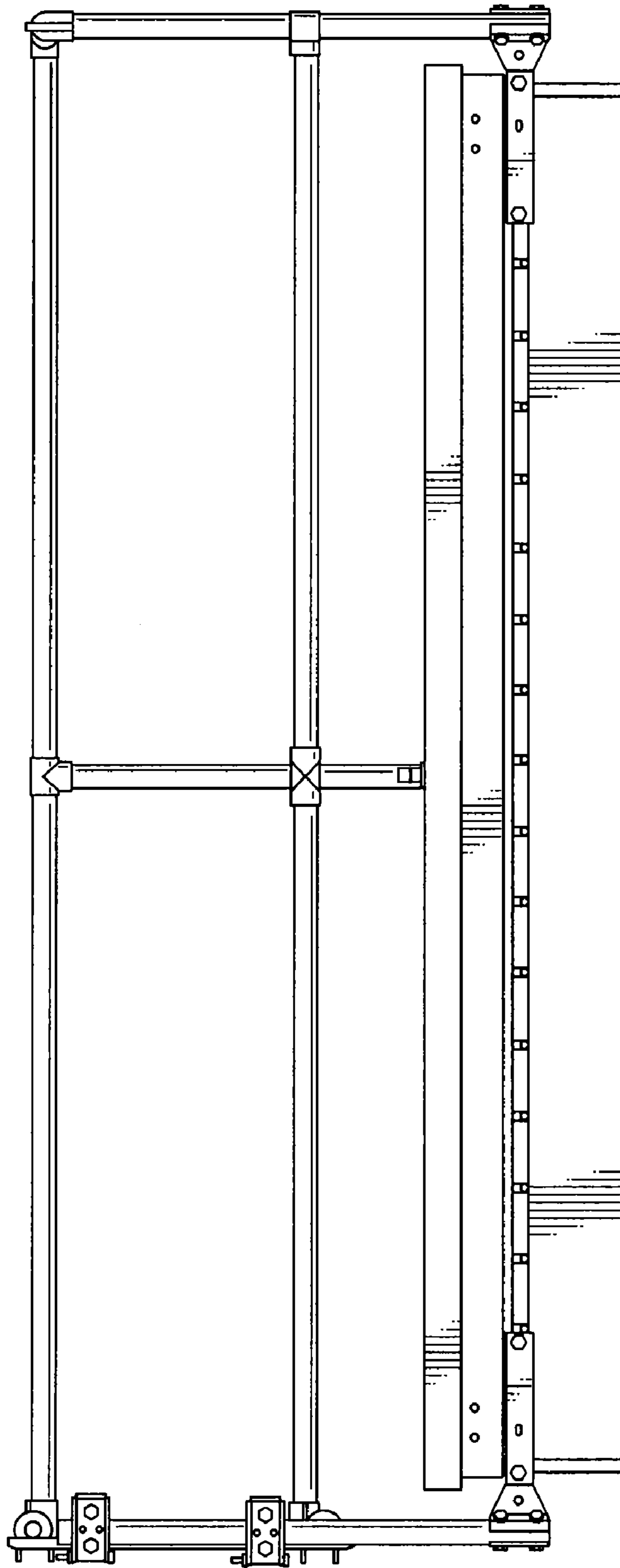


Fig. 9

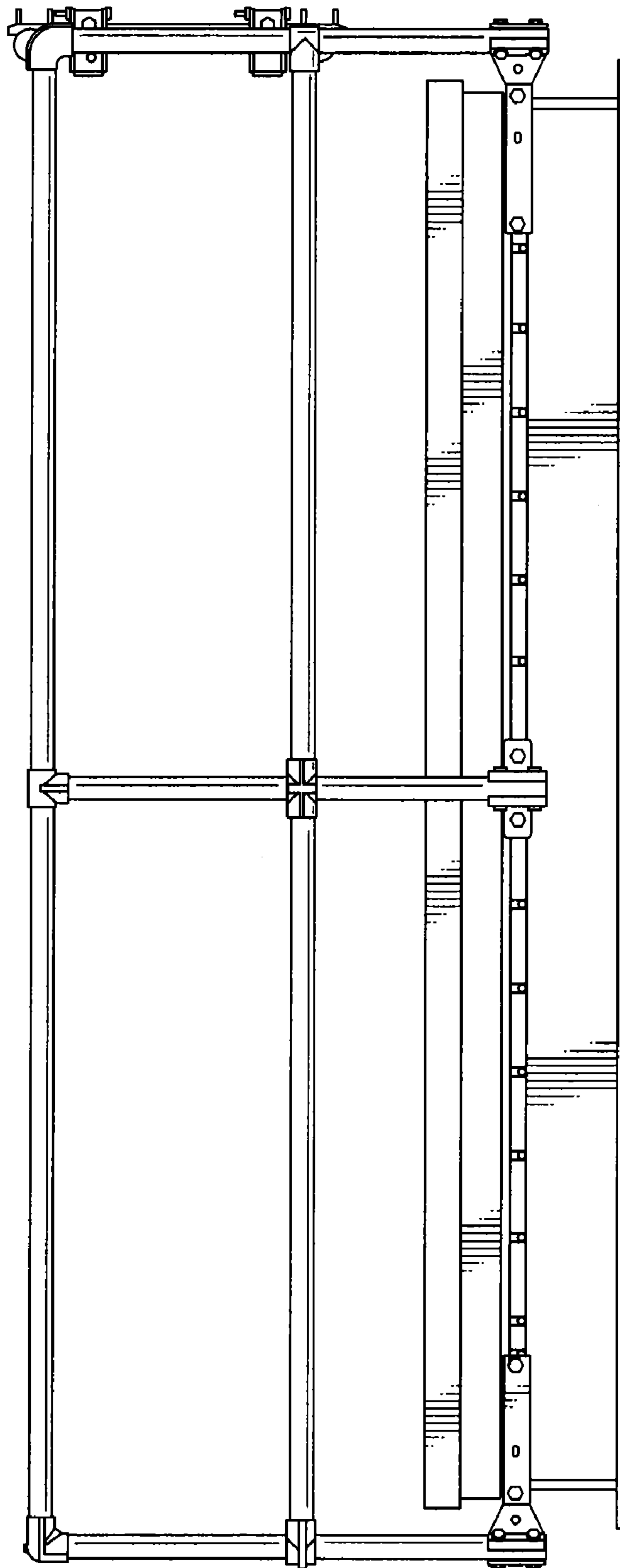


Fig. 10

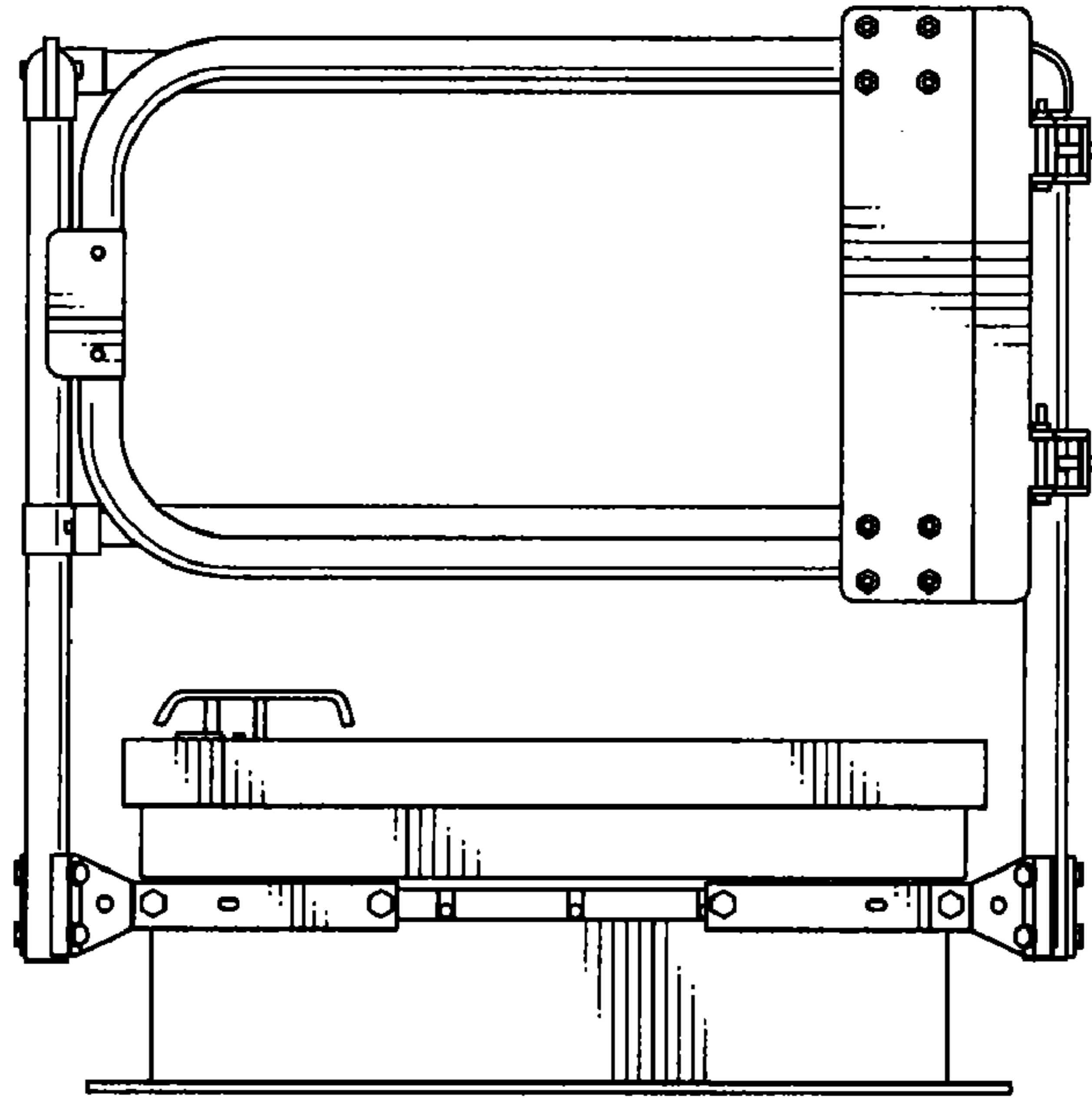


Fig. 11

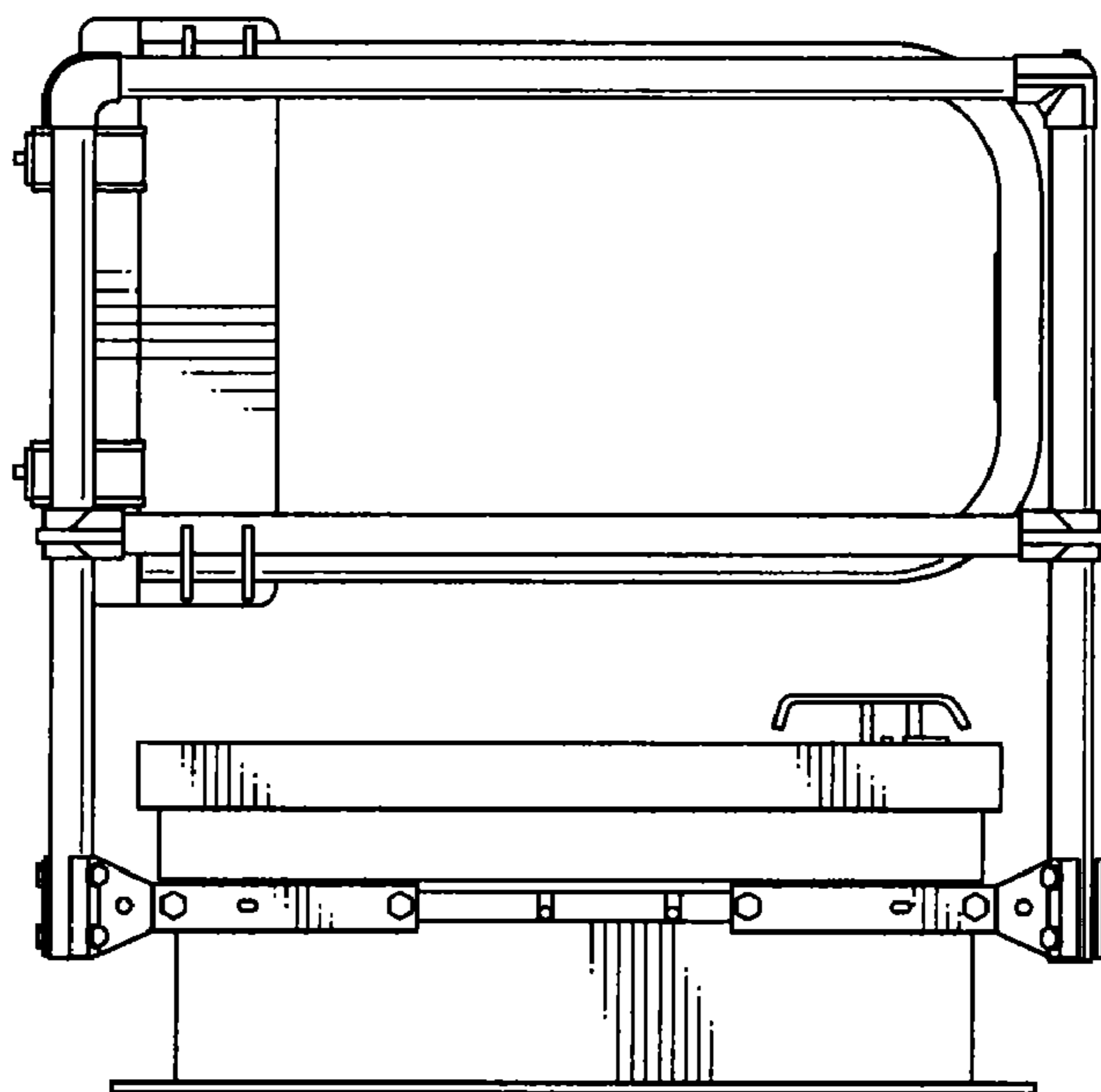


Fig. 12

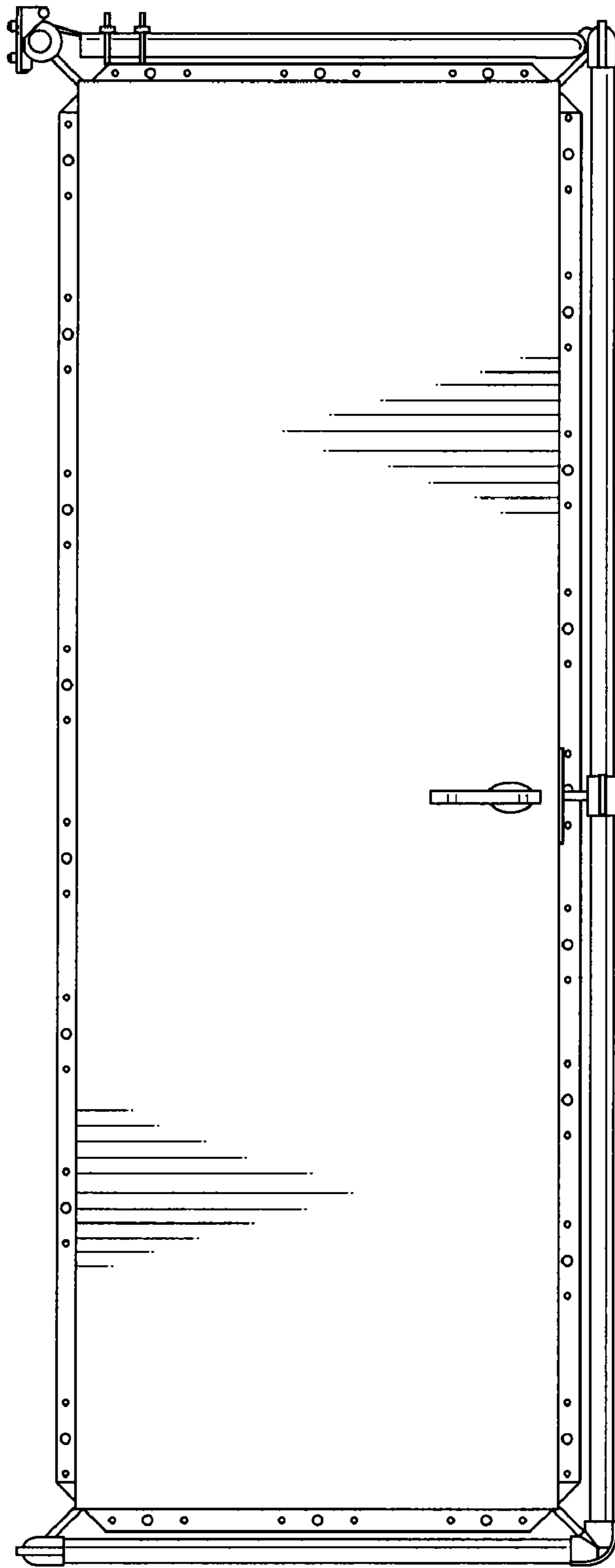


Fig. 13

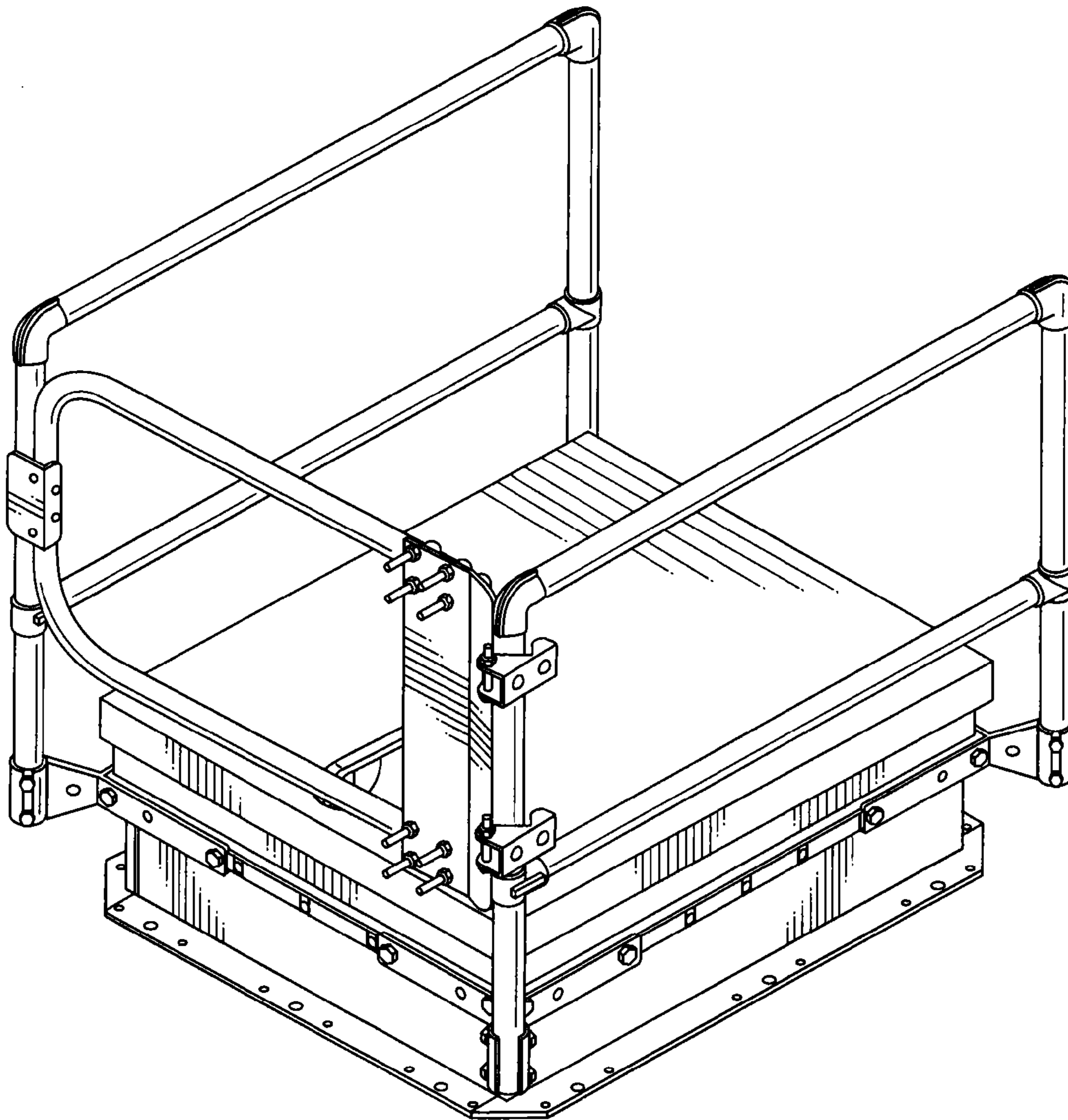


Fig. 14

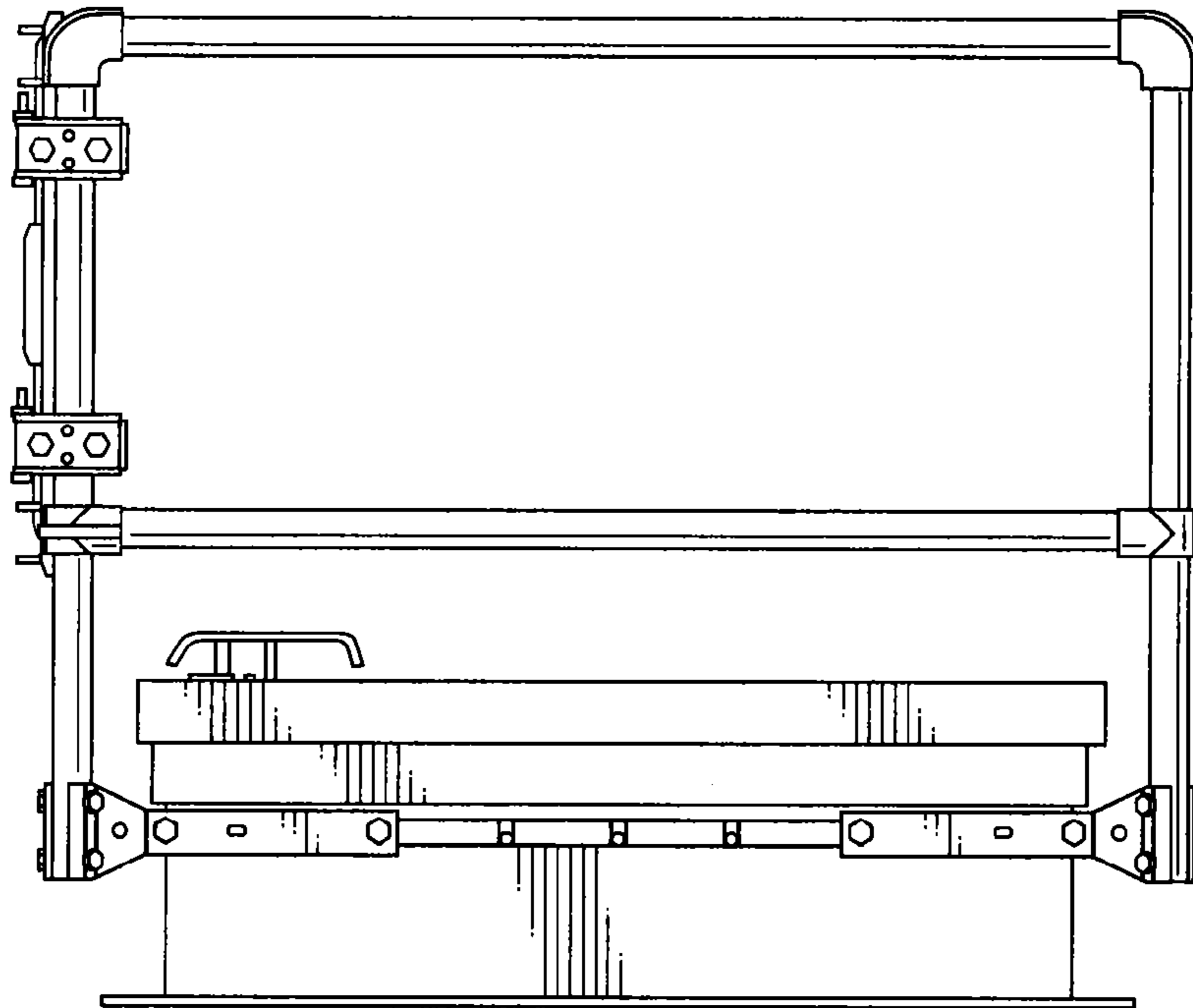


Fig. 15

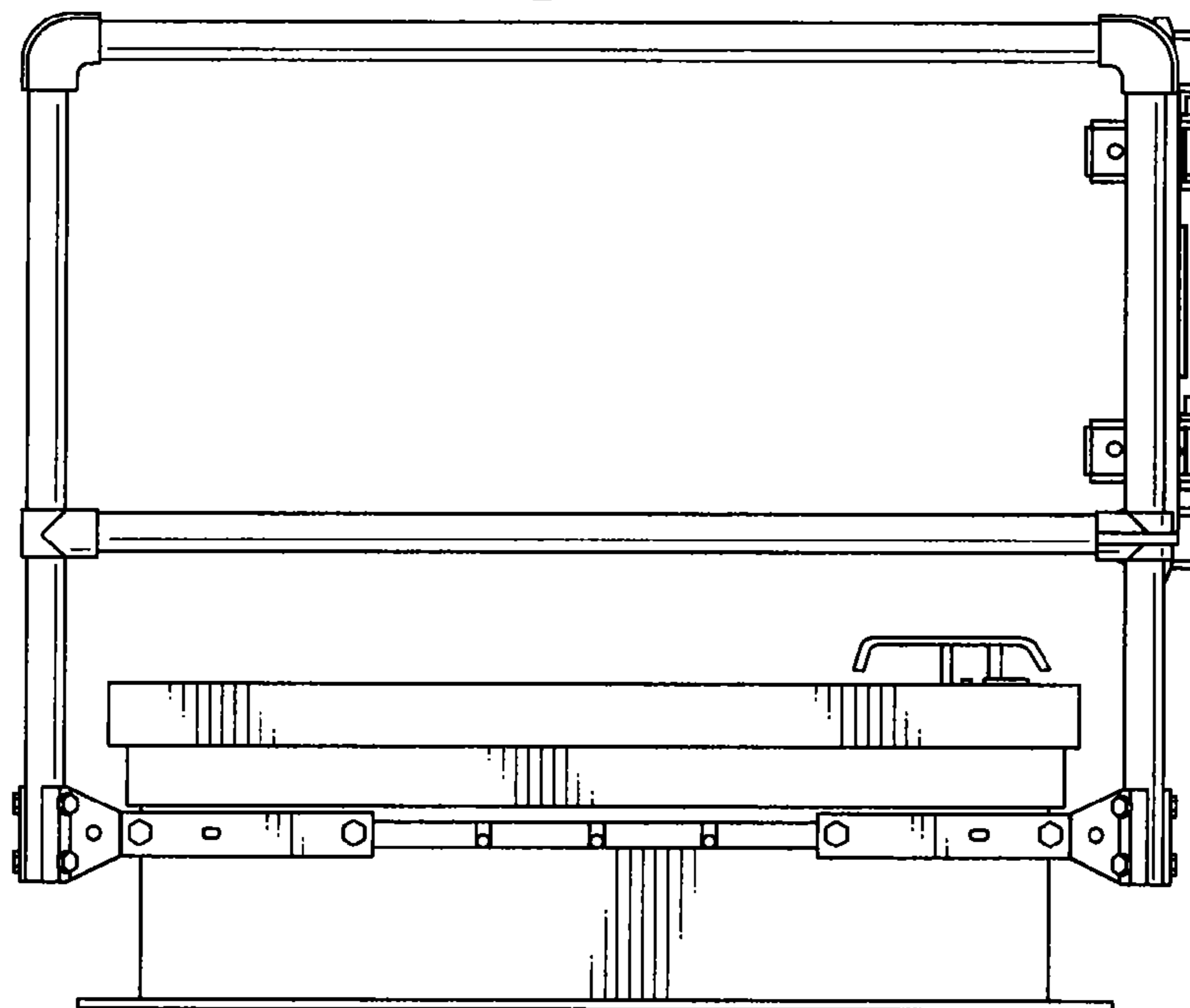


Fig. 16

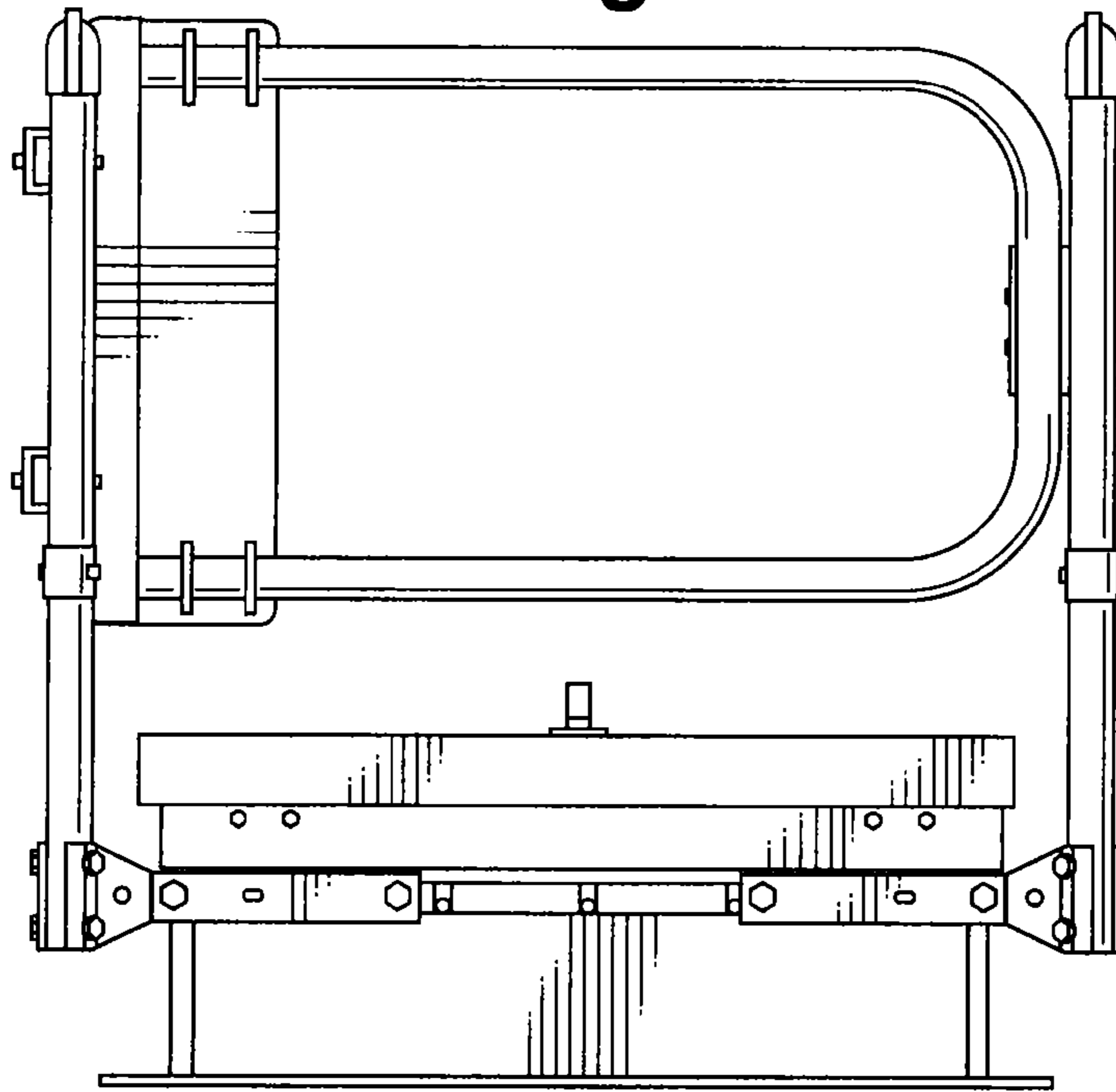


Fig. 17

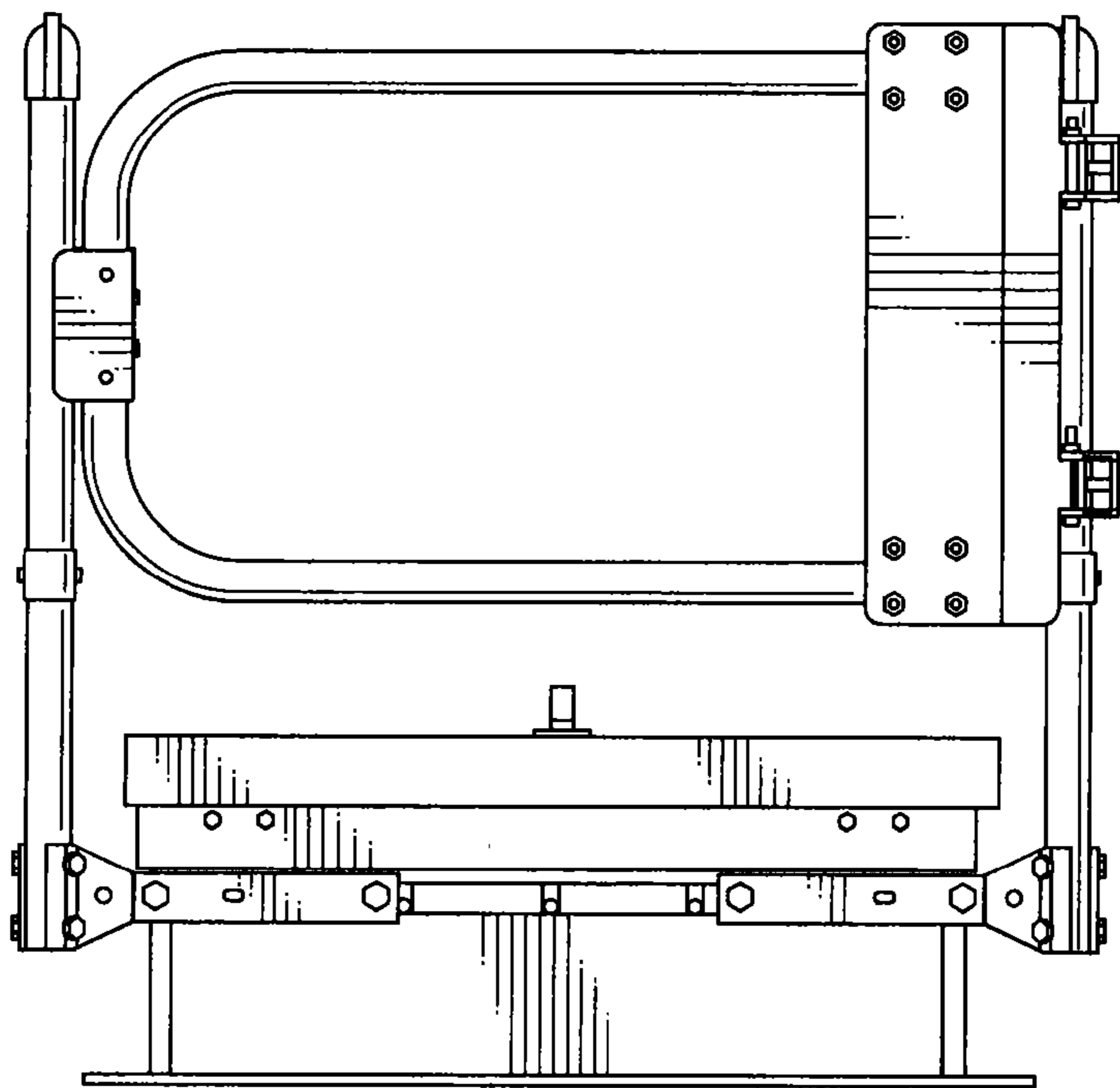


Fig. 18

