



US00D620129S

(12) **United States Design Patent**
Lundh

(10) **Patent No.:** **US D620,129 S**

(45) **Date of Patent:** **** Jul. 20, 2010**

(54) **COMBINED CHILD SAFETY BARRIER AND LOCKING ELEMENT**

(75) Inventor: **Jöran Lundh**, c/o Lascal Ltd., Suite 919, 9th Floor, Tower 3, China Hong Kong City, 33 Canton Road, Kowloon (HK)

(73) Assignee: **Joran Lundh**, Hong Kong (CN)

(**) Term: **14 Years**

(21) Appl. No.: **29/330,786**

(22) Filed: **Jan. 14, 2009**

(30) **Foreign Application Priority Data**

Jul. 15, 2008 (EM) 000970330

(51) **LOC (9) Cl.** **25-02**

(52) **U.S. Cl.** **D25/50**

(58) **Field of Classification Search** D25/50;
256/25, 26; 49/9

See application file for complete search history.

(56) **References Cited**

U.S. PATENT DOCUMENTS

6,086,051 A * 7/2000 Wiebe et al. 256/25

D485,911 S * 1/2004 Learning et al. D25/50
* cited by examiner

Primary Examiner—Doris Clark

(74) *Attorney, Agent, or Firm*—Pillsbury Winthrop Shaw Pittman, LLP

(57) **CLAIM**

I claim the ornamental design for a combined child safety barrier and locking element, as shown and described.

DESCRIPTION

FIG. 1 is a perspective view illustrating a front of a child safety barrier and locking element embodying a first aspect of my new design, illustrated in an extended position;

FIG. 2 is another perspective view of the front of the child safety barrier and locking element of FIG. 1;

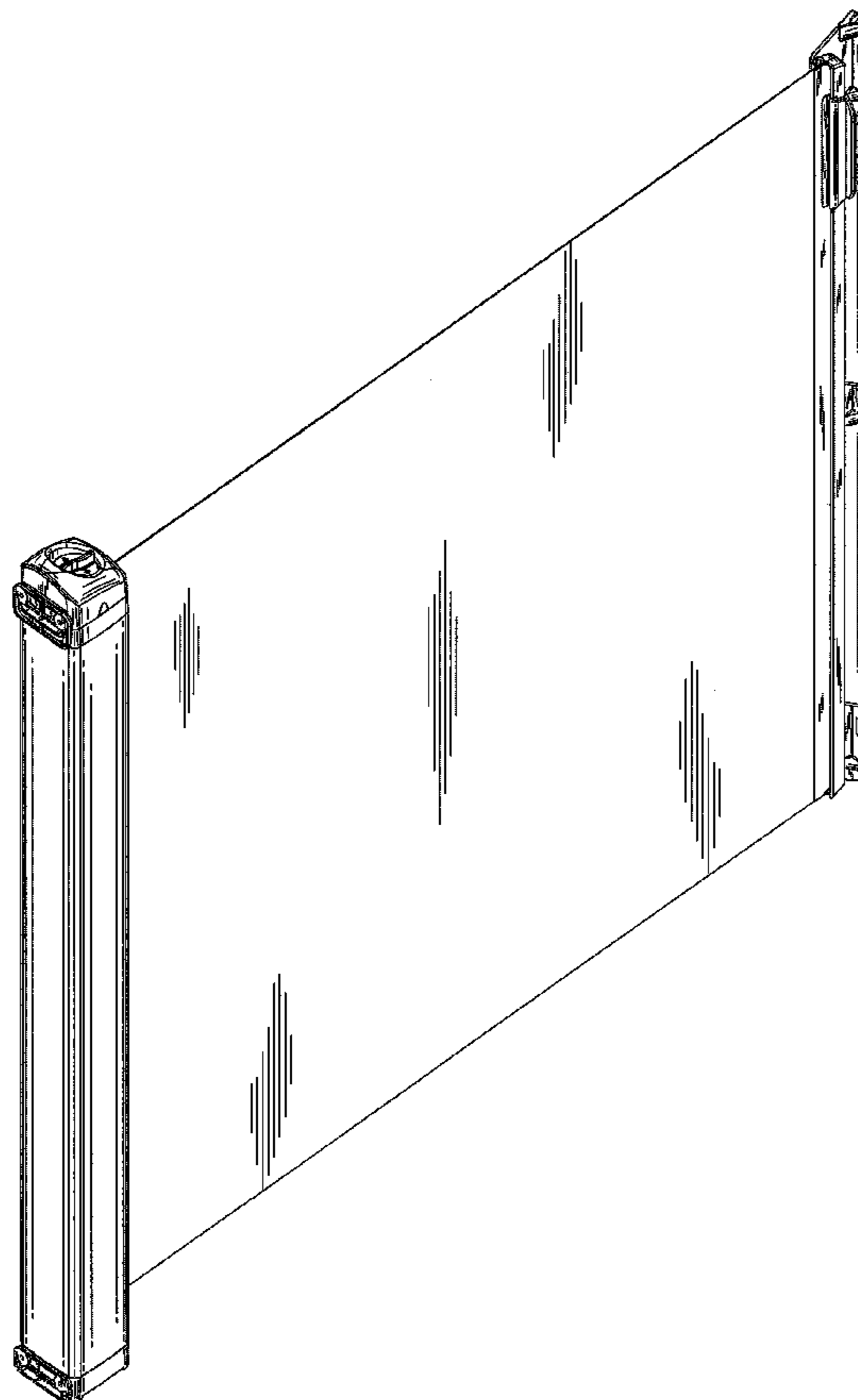
FIG. 3 is a rear elevational view of the child safety barrier and locking element of FIG. 1;

FIG. 4 is a right profile view of the child safety barrier and locking element of FIG. 1;

FIG. 5 is a left profile view of the child safety barrier and locking element of FIG. 1; and,

FIG. 6 is a top plan view of the child safety barrier and locking element of FIG. 1.

1 Claim, 6 Drawing Sheets



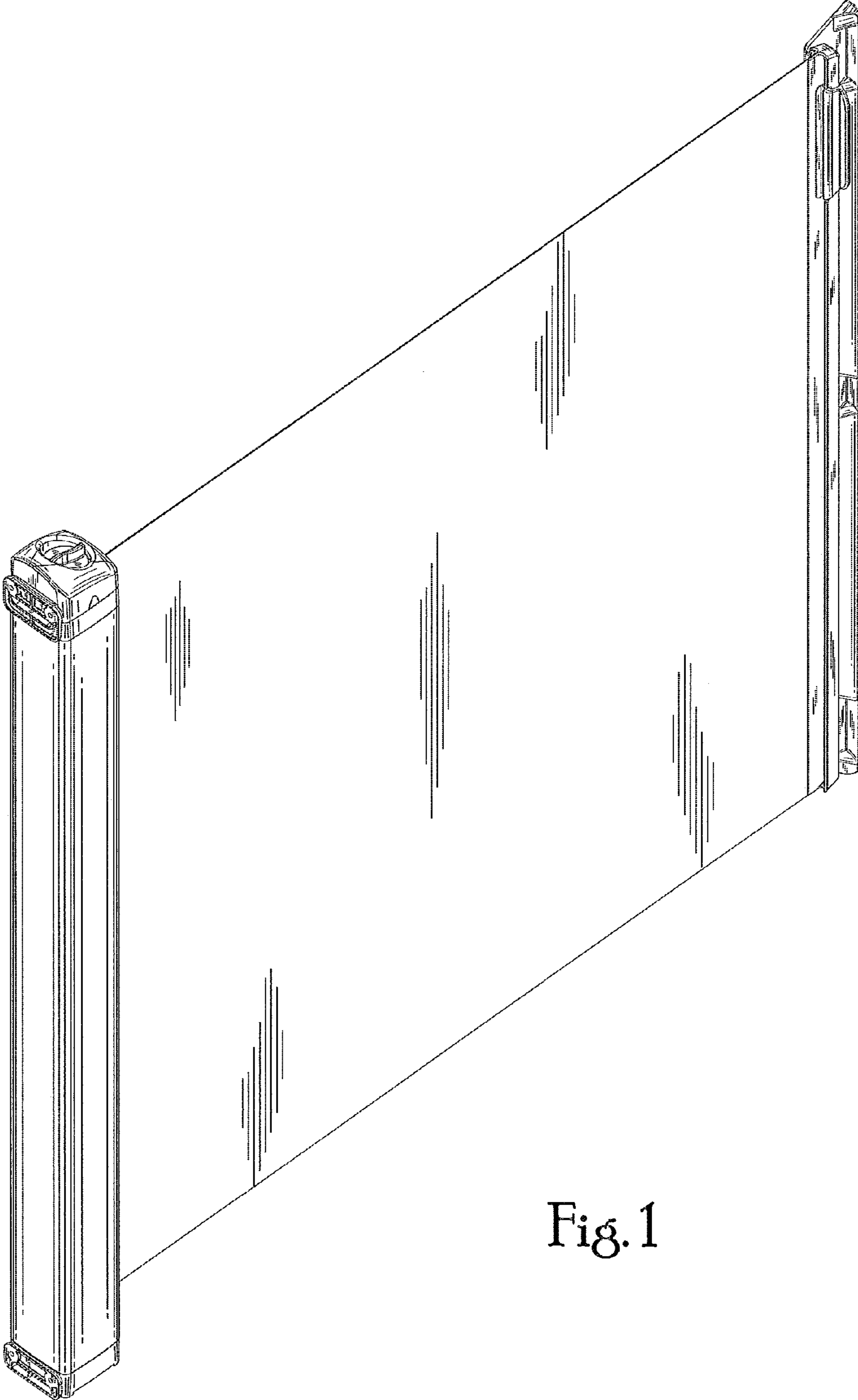


Fig. 1

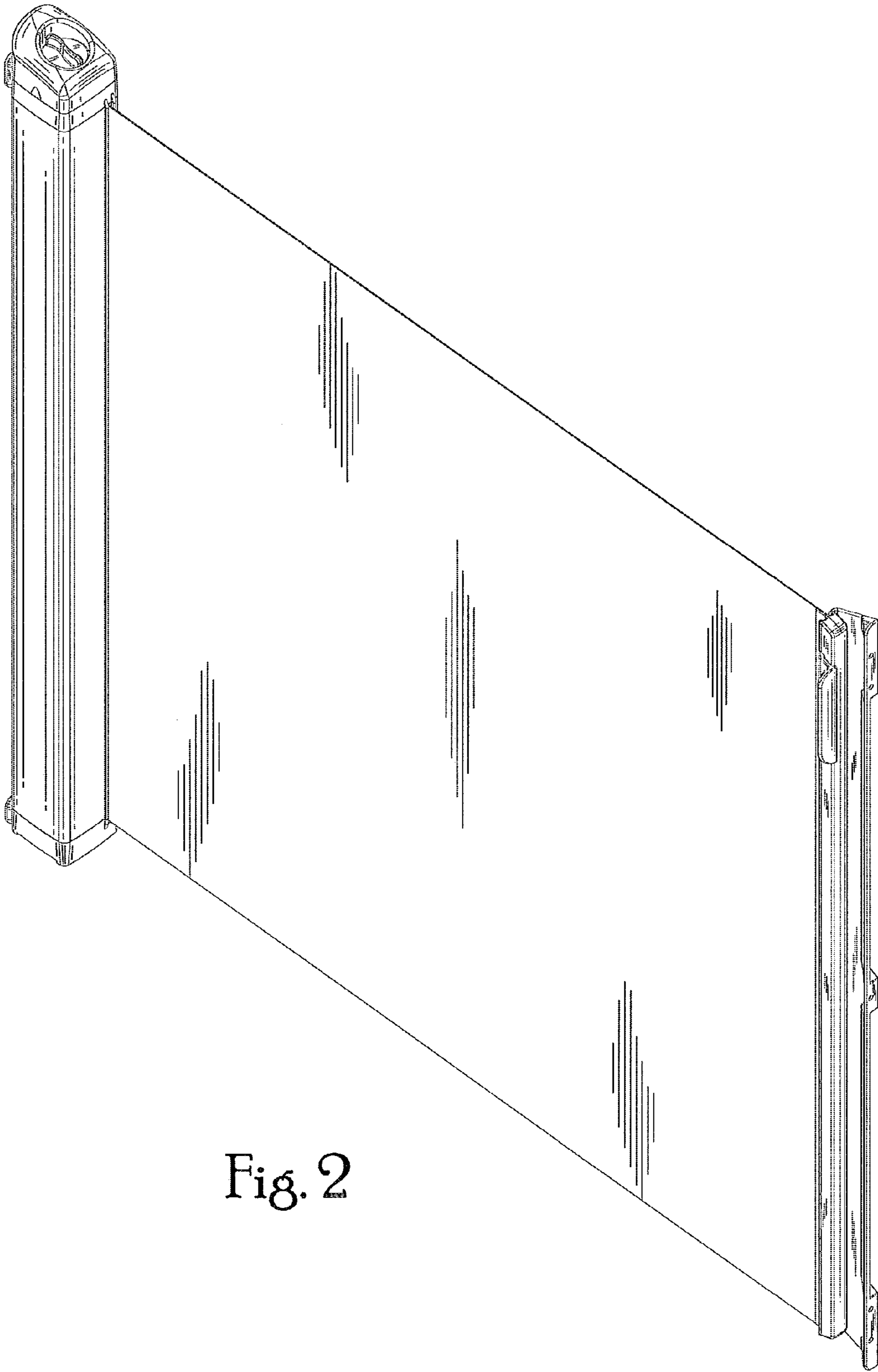


Fig. 2

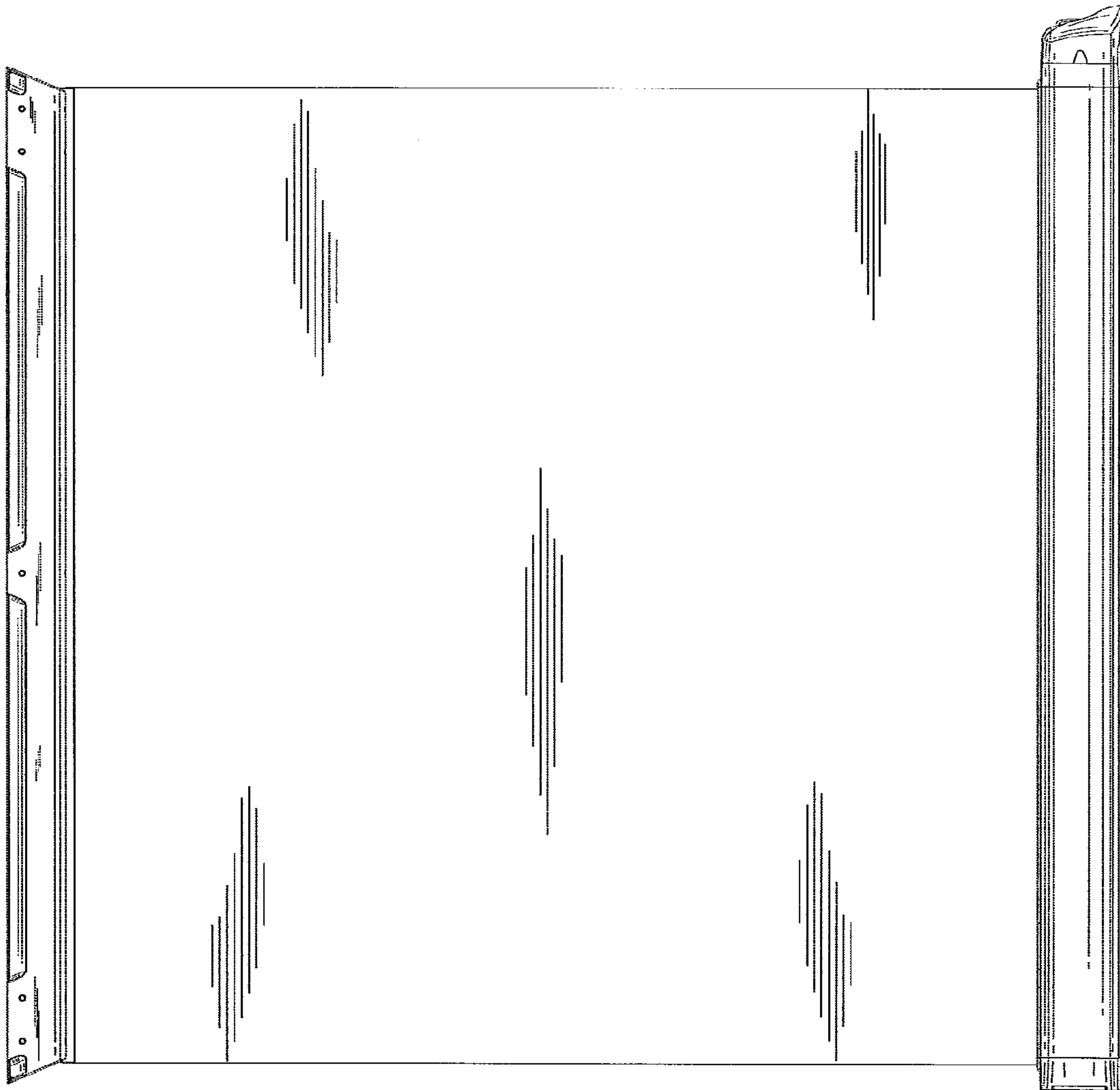


Fig. 3

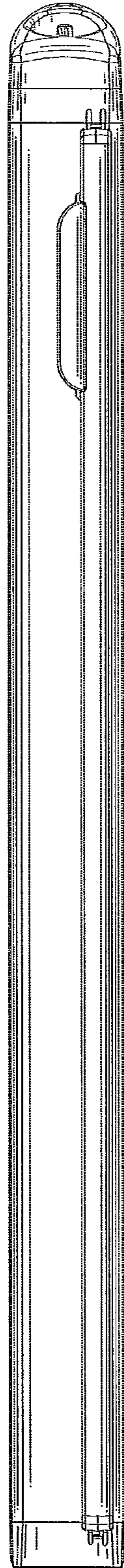


Fig. 4

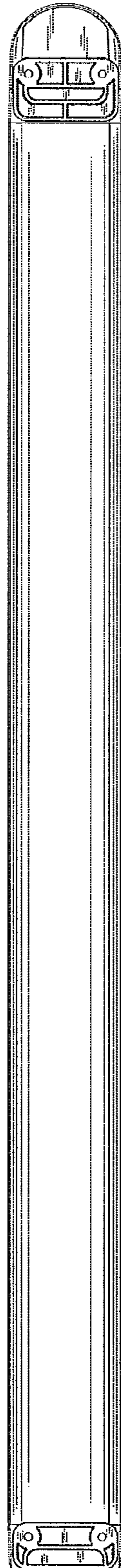


Fig. 5



Fig. 6