



US00D620128S

(12) **United States Design Patent**
Gibbs

(10) **Patent No.:** **US D620,128 S**

(45) **Date of Patent:** **** Jul. 20, 2010**

(54) **FENCE ORNAMENT**

(76) **Inventor:** **Edward L. Gibbs**, 1555 N. Mingo Rd.,
Tulsa, OK (US) 74116

(**) **Term:** **14 Years**

(21) **Appl. No.:** **29/345,440**

(22) **Filed:** **Oct. 15, 2009**

(51) **LOC (9) Cl.** **25-02**

(52) **U.S. Cl.** **D25/38**

(58) **Field of Classification Search** D25/38;
256/32, 1, 65.01, 65.02, 65.14, 65.11, 22;
428/28

See application file for complete search history.

(56) **References Cited**

U.S. PATENT DOCUMENTS

1,575,409	A *	3/1926	Blaeser	40/596
5,342,021	A *	8/1994	Watson	256/1
6,254,064	B1	7/2001	Gibbs		
D451,205	S *	11/2001	Erwin	D25/38
D522,664	S *	6/2006	Leone et al.	D25/38
D537,954	S *	3/2007	Leone et al.	D25/38
2005/0199864	A1	9/2005	Gibbs et al.		
2007/0138455	A1 *	6/2007	Walker	256/22

OTHER PUBLICATIONS

Ameristar Fence Products, Inc., "Montage II Heavy Industrial/Montage Plus Commercial," pp. 1-8, published in the United States in Aug. 2008.

* cited by examiner

Primary Examiner—Doris Clark

(74) *Attorney, Agent, or Firm*—Gary Peterson

(57) **CLAIM**

The ornamental design for a fence ornament, as shown and described.

DESCRIPTION

FIG. 1 is a front perspective view of a fence ornament of the present invention.

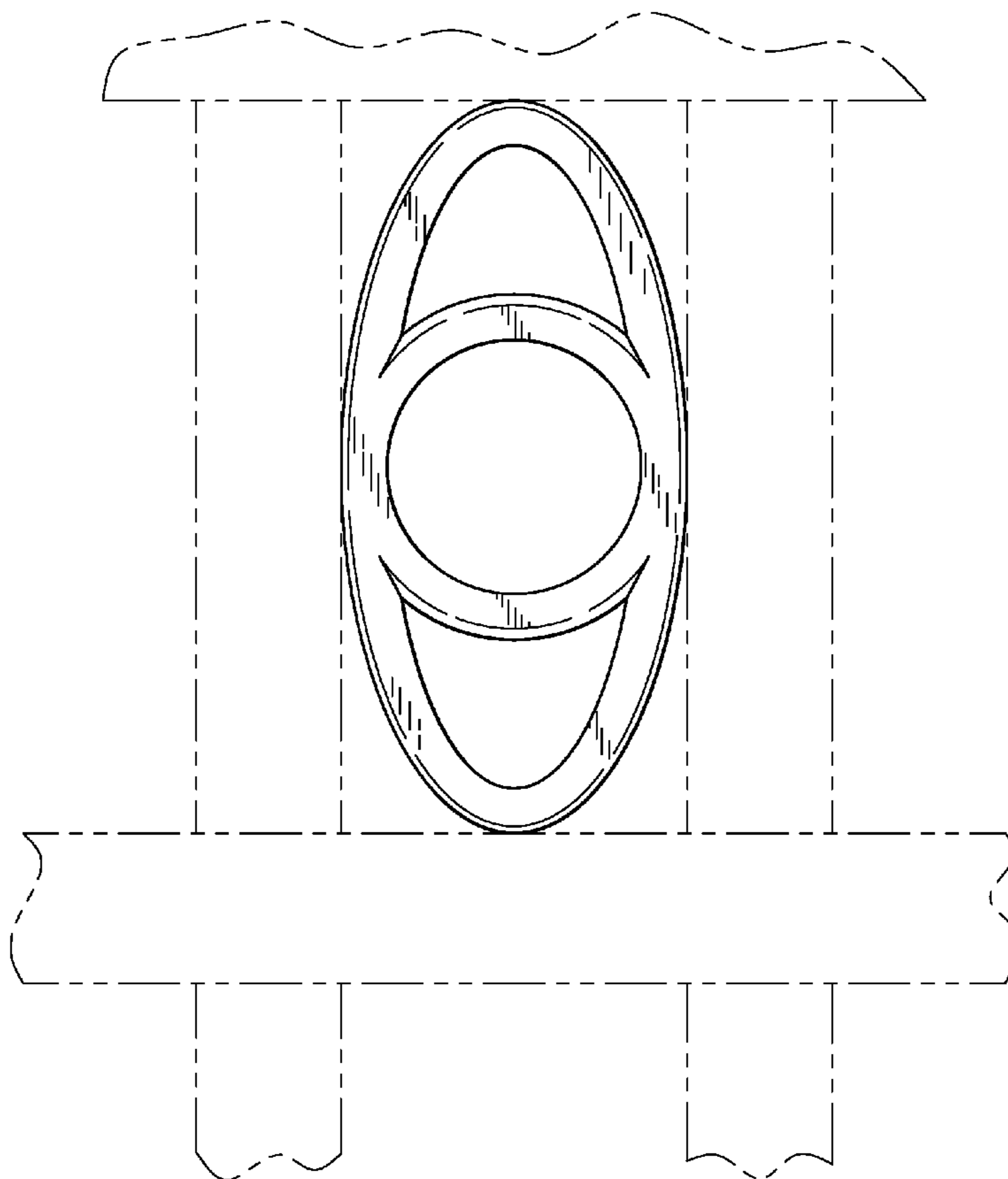
FIG. 2 is a rear elevation view.

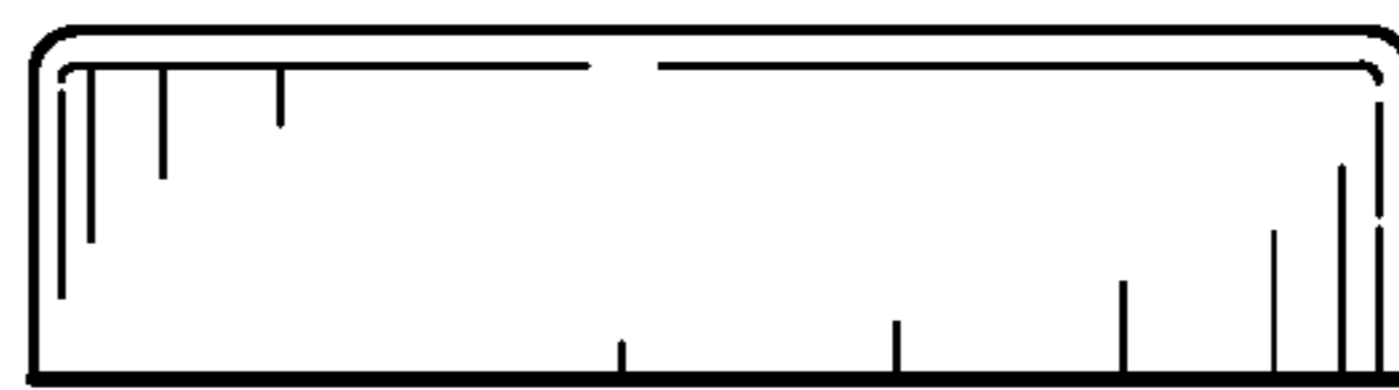
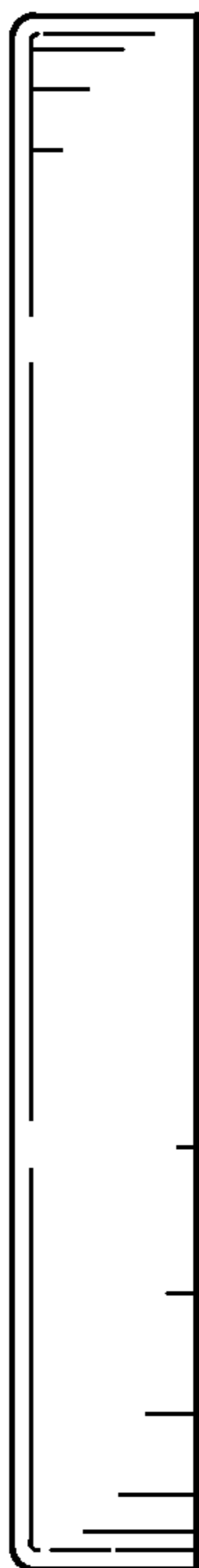
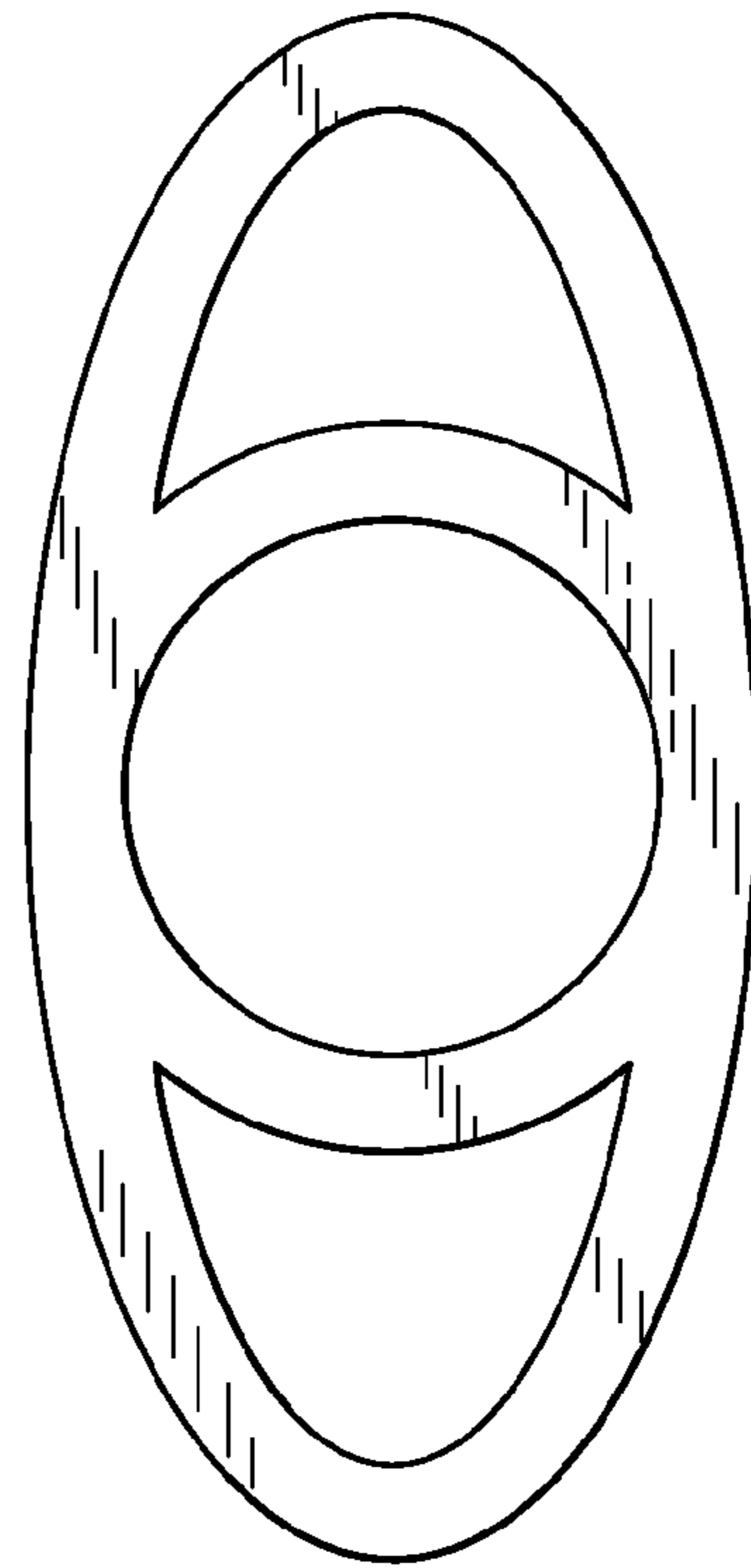
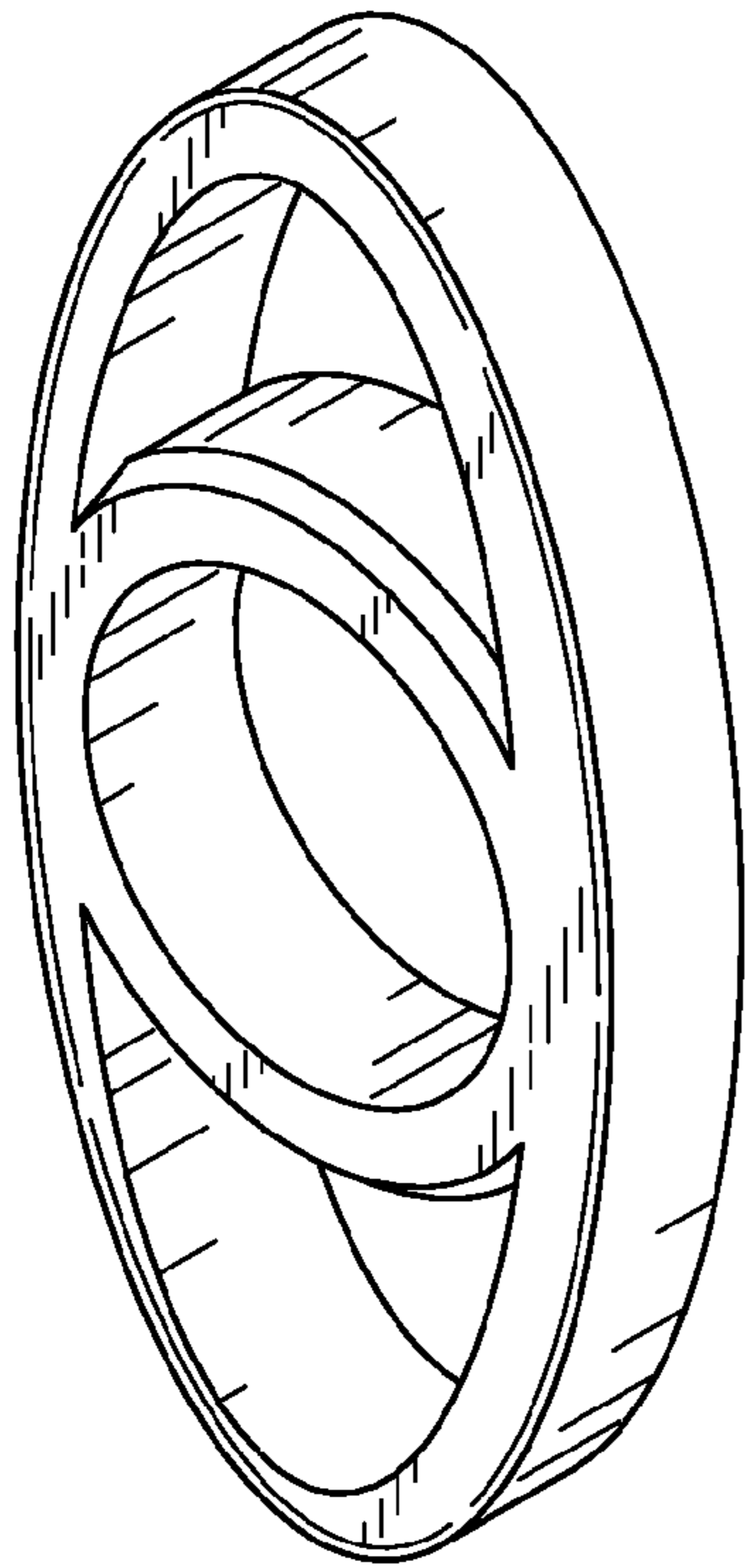
FIG. 3 is a right side elevation view, the left side elevation view being a mirror image thereof.

FIG. 4 is top plan view, the bottom plan view being identical thereto; and,

FIG. 5 is a front elevation view of the fence ornament installed between the horizontal rails and vertical pickets of a fence. The broken lines are for illustrative purposes and form no part of the claimed design.

1 Claim, 2 Drawing Sheets





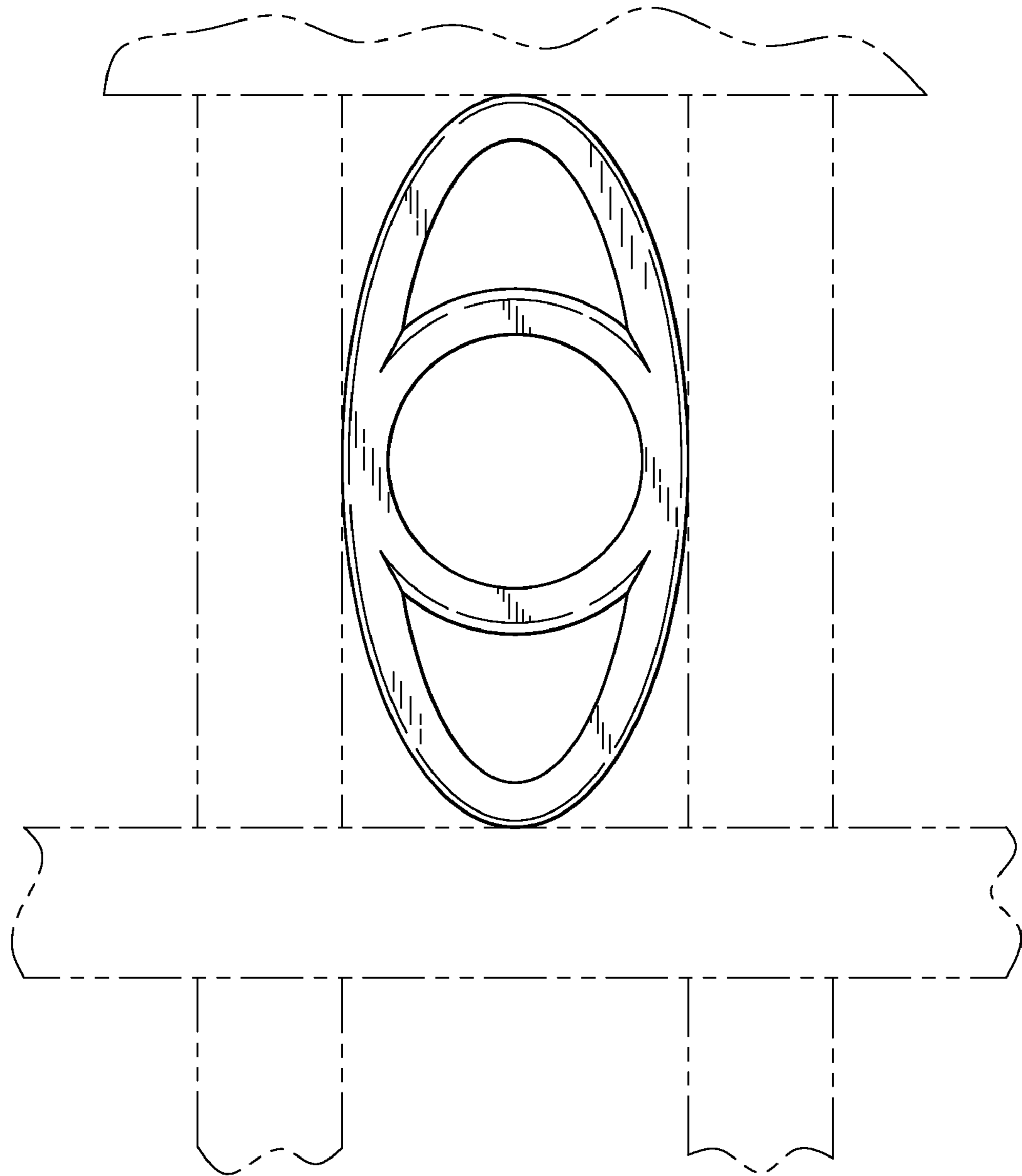


FIG. 5