



US00D620127S

(12) **United States Design Patent**  
**Mawby**

(10) **Patent No.:** **US D620,127 S**  
(45) **Date of Patent:** **\*\* Jul. 20, 2010**

(54) **FENCE SET**

(75) Inventor: **Daniel Mawby**, Flemington (AU)

(73) Assignee: **Racing Victoria Ltd**, Flemington, Victoria (AU)

(\*\*) Term: **14 Years**

(21) Appl. No.: **29/327,992**

(22) Filed: **Nov. 17, 2008**

(30) **Foreign Application Priority Data**

May 16, 2008 (AU) ..... 12347/2008

(51) **LOC (9) Cl.** ..... **25-02**

(52) **U.S. Cl.** ..... **D25/38**

(58) **Field of Classification Search** ..... D25/38,  
D25/126, 119; 256/21, 19, 22, 1, 65.01,  
256/59, 65.02, 65.14

See application file for complete search history.

(56) **References Cited**

**U.S. PATENT DOCUMENTS**

4,610,432 A 9/1986 Lewis et al.  
D363,131 S \* 10/1995 Searer ..... D25/38  
D509,905 S \* 9/2005 Baker ..... D25/38  
7,438,284 B2 \* 10/2008 McGinness et al. .... 256/59  
2008/0265232 A1 \* 10/2008 Terrels et al. .... 256/65.04

**FOREIGN PATENT DOCUMENTS**

AU 200154133 B2 1/2002  
WO 1995005878 A1 3/1995

\* cited by examiner

*Primary Examiner*—Doris Clark

(74) *Attorney, Agent, or Firm*—Volpe and Koenig, P.C.

(57) **CLAIM**

The ornamental design for fence set, as shown and described.

**DESCRIPTION**

FIG. 1 is a front top perspective view of a rail of a fence set;

FIG. 2 is a rear bottom perspective view of the rail of FIG. 1;

FIG. 3 is a front view of the rail of FIG. 1;

FIG. 4 is a rear view of the rail of FIG. 1;

FIG. 5 is a top plan view of the rail of FIG. 1, the bottom view being substantially identical thereto;

FIG. 6 is a right side view of the rail of FIG. 1, the left side view a mirror image thereof;

FIG. 7 is a front top perspective view of a fence post of the fence set;

FIG. 8 is a rear bottom perspective view of the fence post of FIG. 7;

FIG. 9 is an exploded view of the fence post of FIG. 7;

FIG. 10 is a front view of the fence post of FIG. 7;

FIG. 11 is a left side view of the fence post of FIG. 7; the right side being a mirror image thereof;

FIG. 12 is a top plan view of the fence post of FIG. 7;

FIG. 13 is a bottom plan view of the fence post of FIG. 7;

FIG. 14 is a rear view of the fence post of FIG. 7;

FIG. 15 is a top perspective view of a fence post support of the fence post shown in FIG. 7;

FIG. 16 is a rear bottom perspective view of the fence post support of FIG. 15;

FIG. 17 is a front view of the fence post support of FIG. 15;

FIG. 18 is a rear view of the fence post support of FIG. 15;

FIG. 19 is a top plan view of the fence post support of FIG. 15;

FIG. 20 is a bottom view of the fence post support of FIG. 15;

FIG. 21 is a left side view of the fence post support of FIG. 15, the right side being a mirror image thereof;

FIG. 22 is a front top perspective view of an anchor of the fence set;

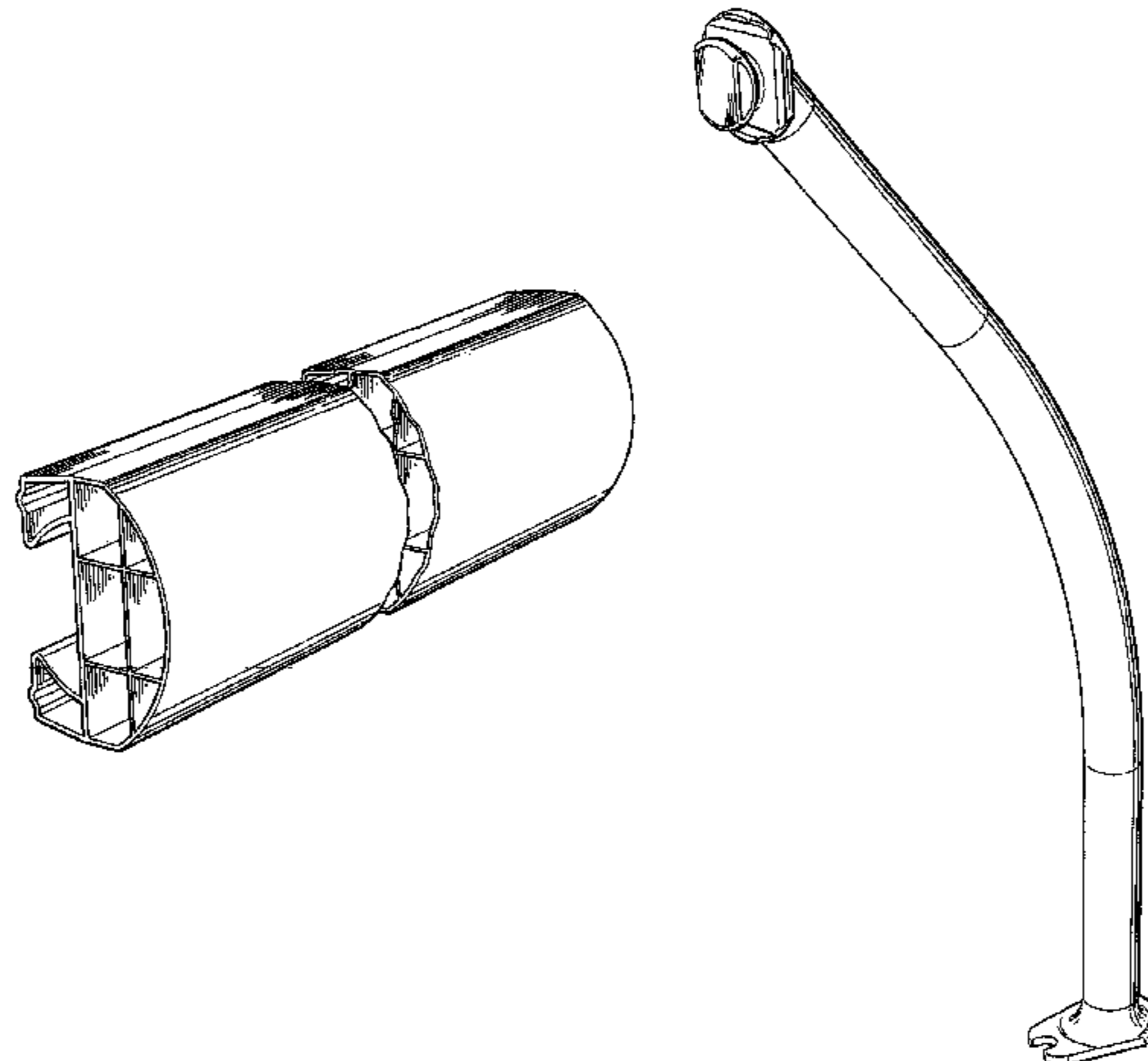


FIG. 23 is a rear bottom perspective view of the anchor of FIG. 22;

FIG. 24 is a front view of the anchor of FIG. 22;

FIG. 25 is a rear view of the anchor of FIG. 22;

FIG. 26 is a left side view of the anchor of FIG. 22, the right side being a mirror image thereof;

FIG. 27 is a top plan view of the anchor of FIG. 22;

FIG. 28 is a bottom plan view of the anchor of FIG. 22;

FIG. 29 is a front top perspective view of a rail adaptor of the fence post shown in FIG. 7;

FIG. 30 is a rear bottom perspective view of the rail adaptor of FIG. 29;

FIG. 31 is a front top perspective view of the rail adaptor shown in FIG. 29 having an element separated therefrom;

FIG. 32 is a top rear perspective view of the rail adaptor with an element separated therefrom;

FIG. 33 is a front view of the rail adaptor of FIG. 29;

FIG. 34 is a rear view of the rail adaptor of FIG. 29;

FIG. 35 is a top plan view of the rail adaptor of FIG. 29;

FIG. 36 is a bottom plan view of the rail adaptor of FIG. 29;

FIG. 37 is a right view of the rail adaptor of FIG. 29;

FIG. 38 is a right view of the rail adaptor of FIG. 29 with an element separated therefrom; and,

FIG. 39 is a left view of the rail adaptor of FIG. 29.

**1 Claim, 19 Drawing Sheets**

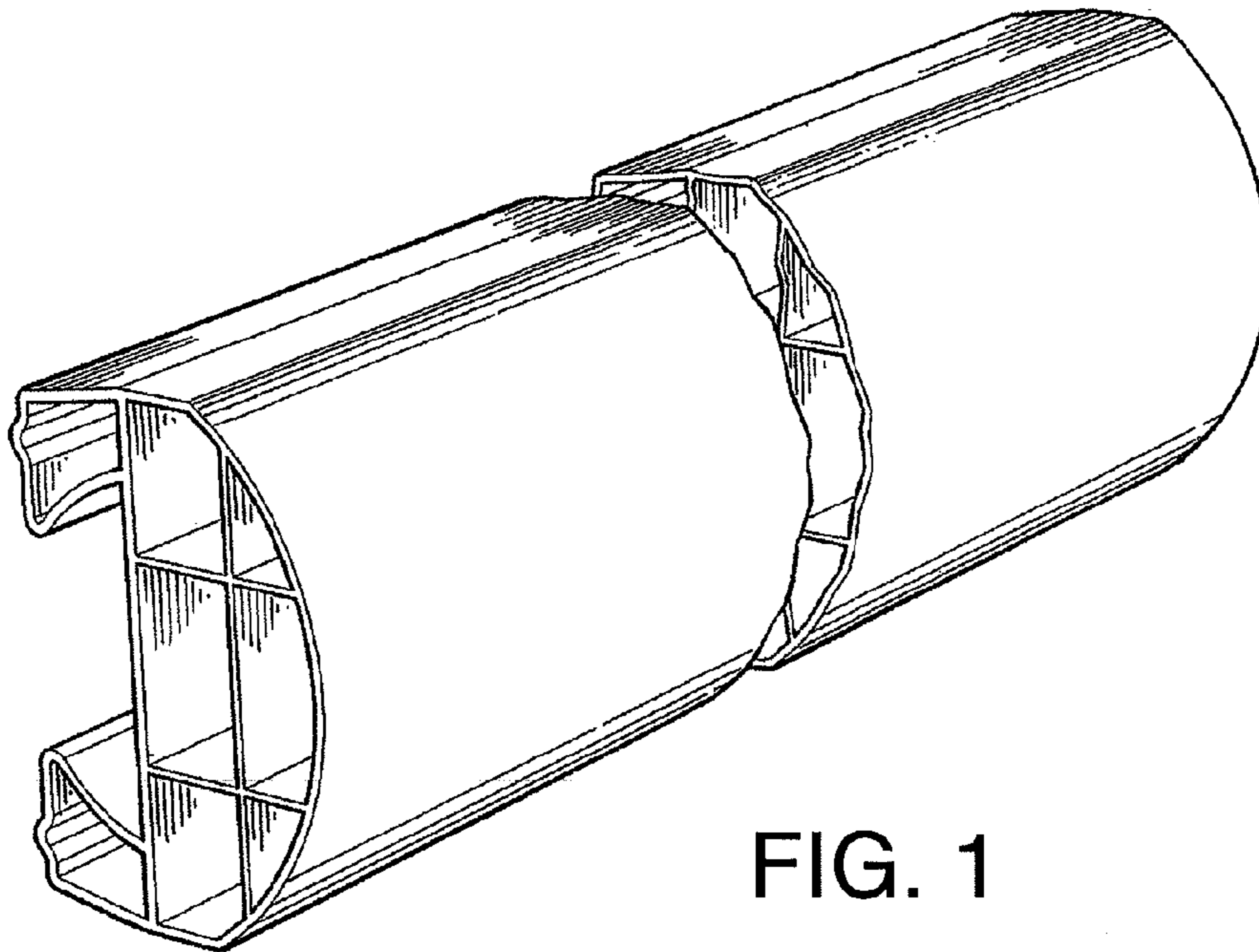


FIG. 1

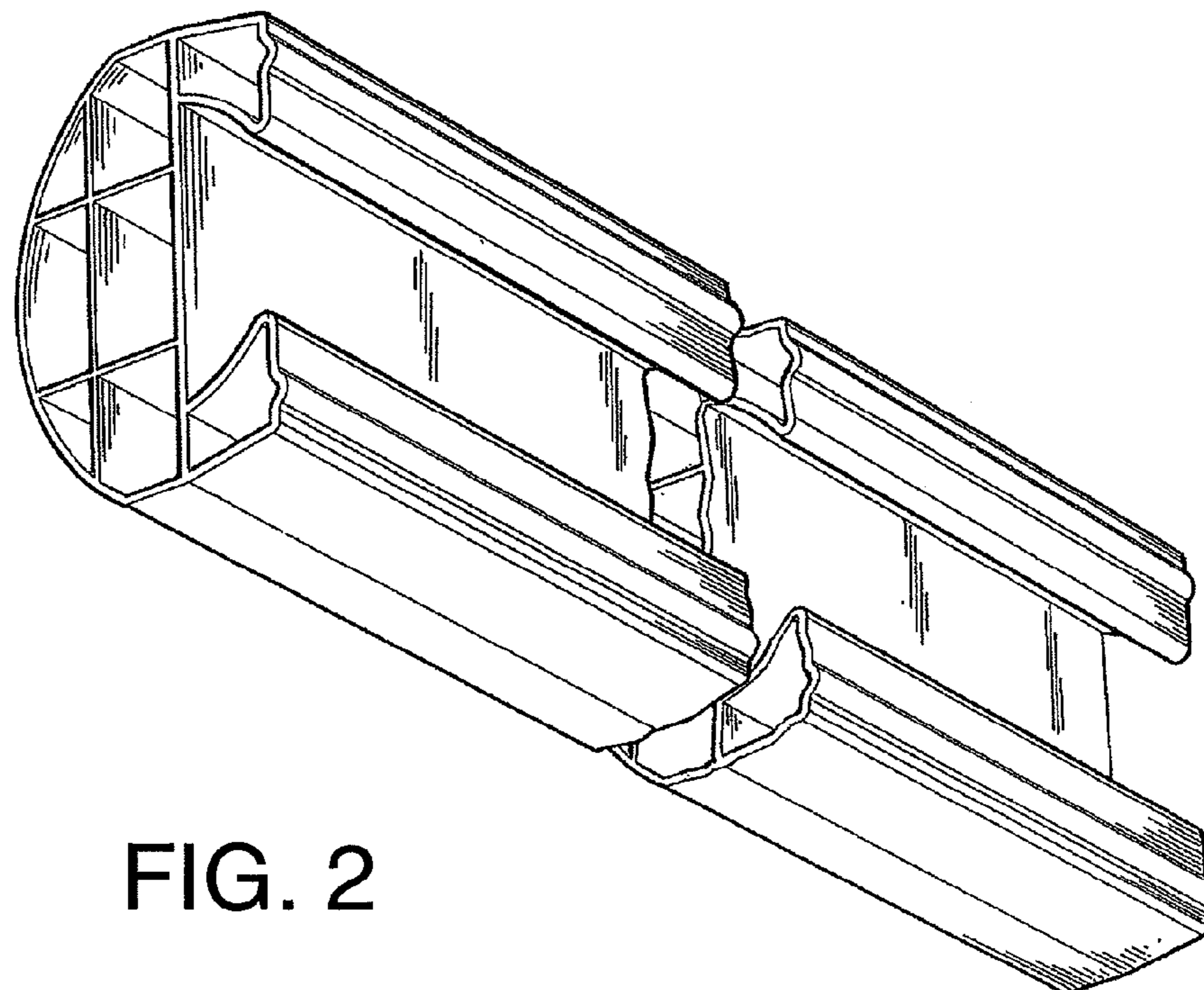


FIG. 2



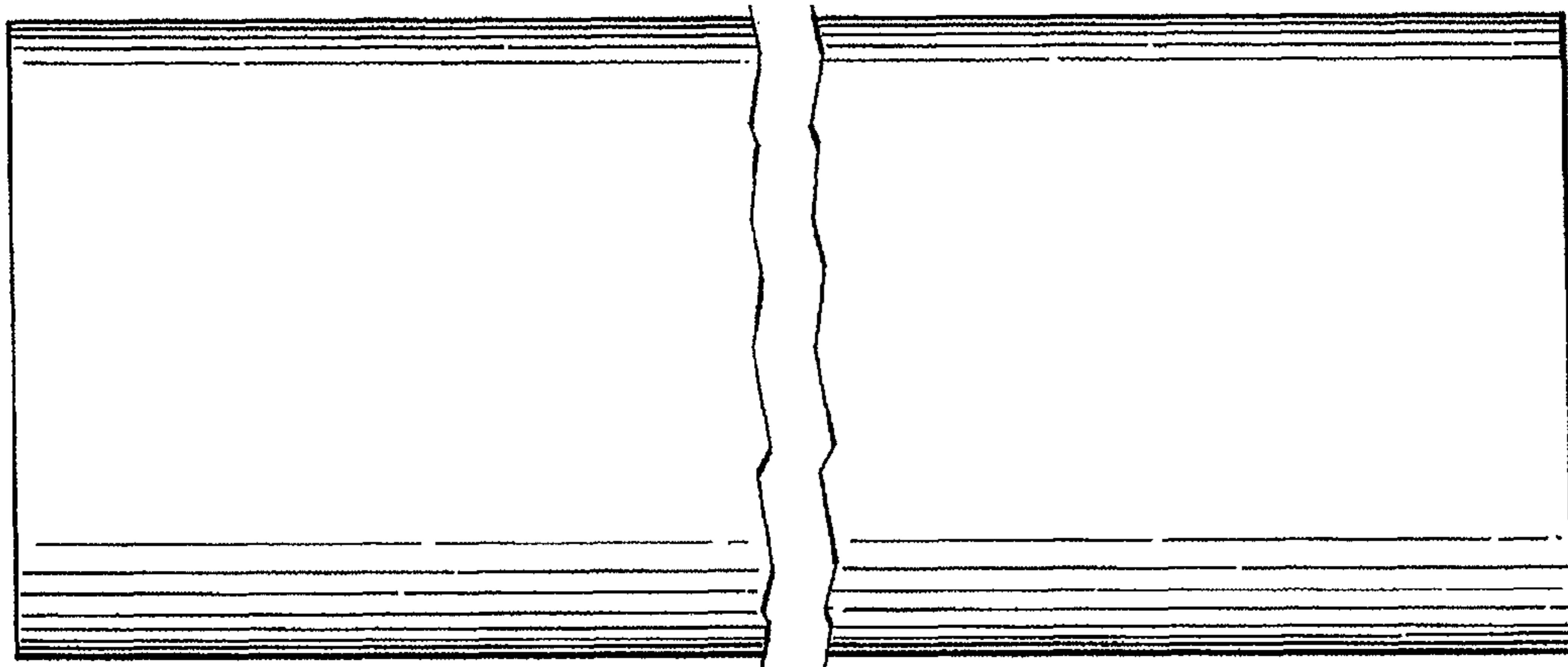


FIG. 3

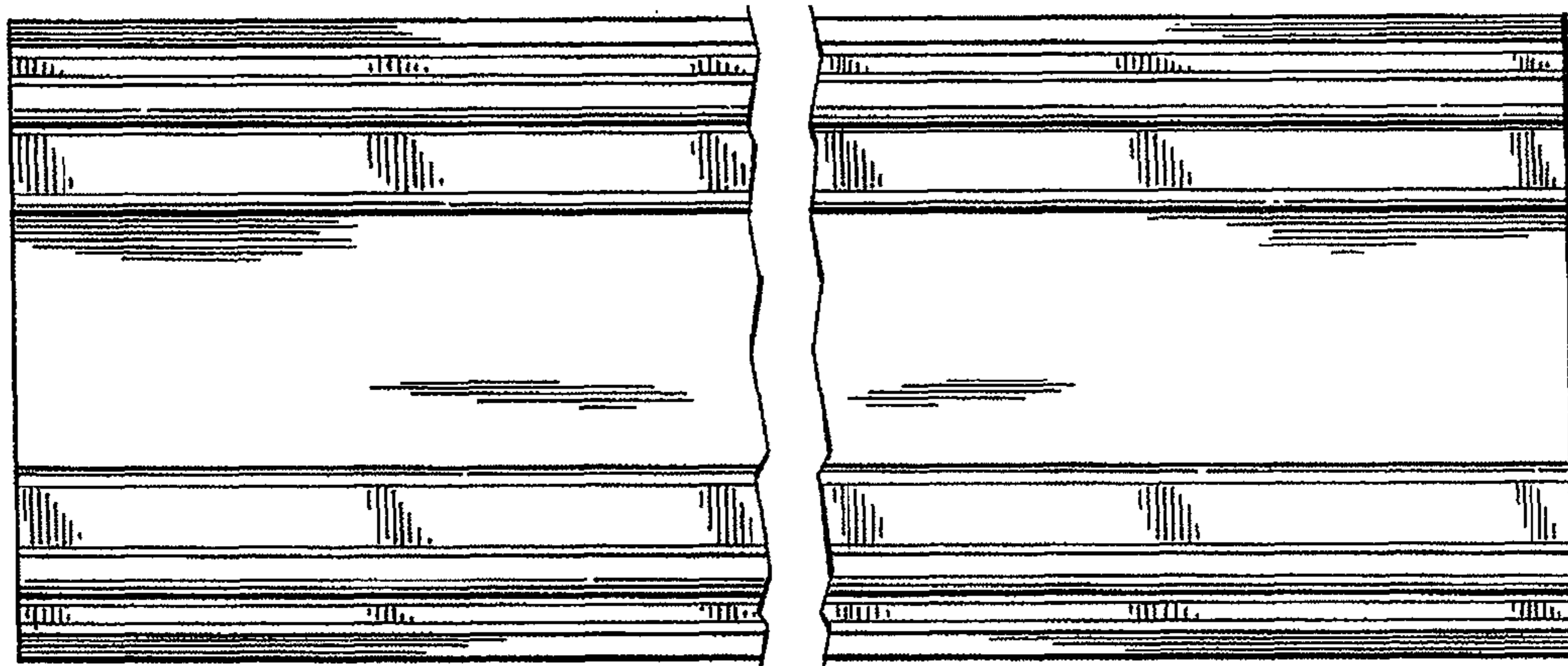


FIG. 4

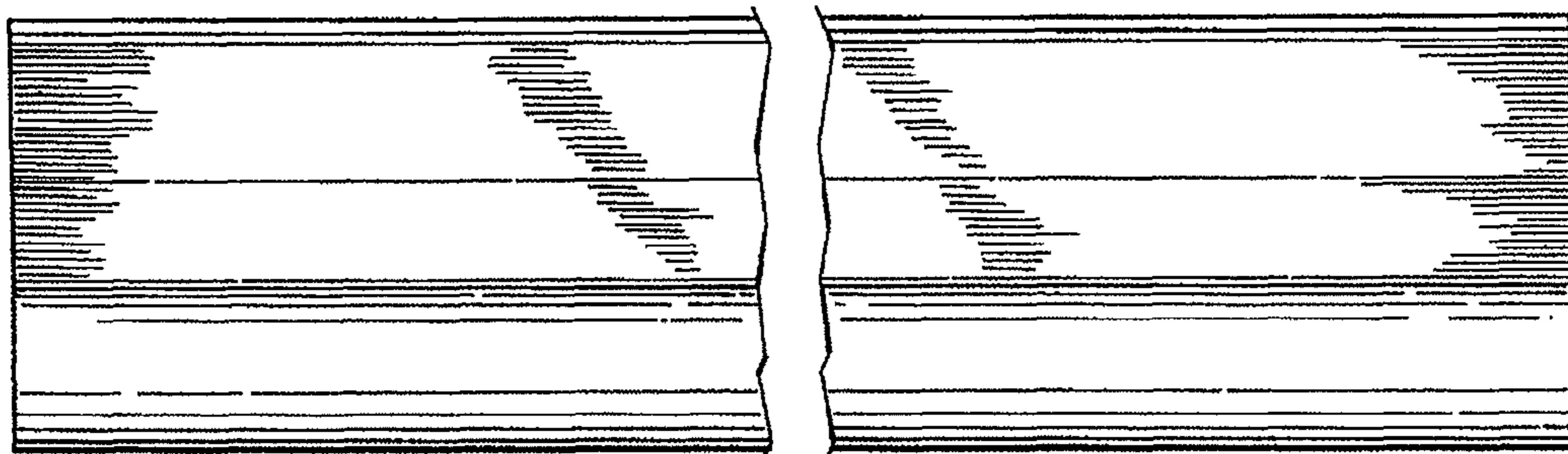


FIG. 5

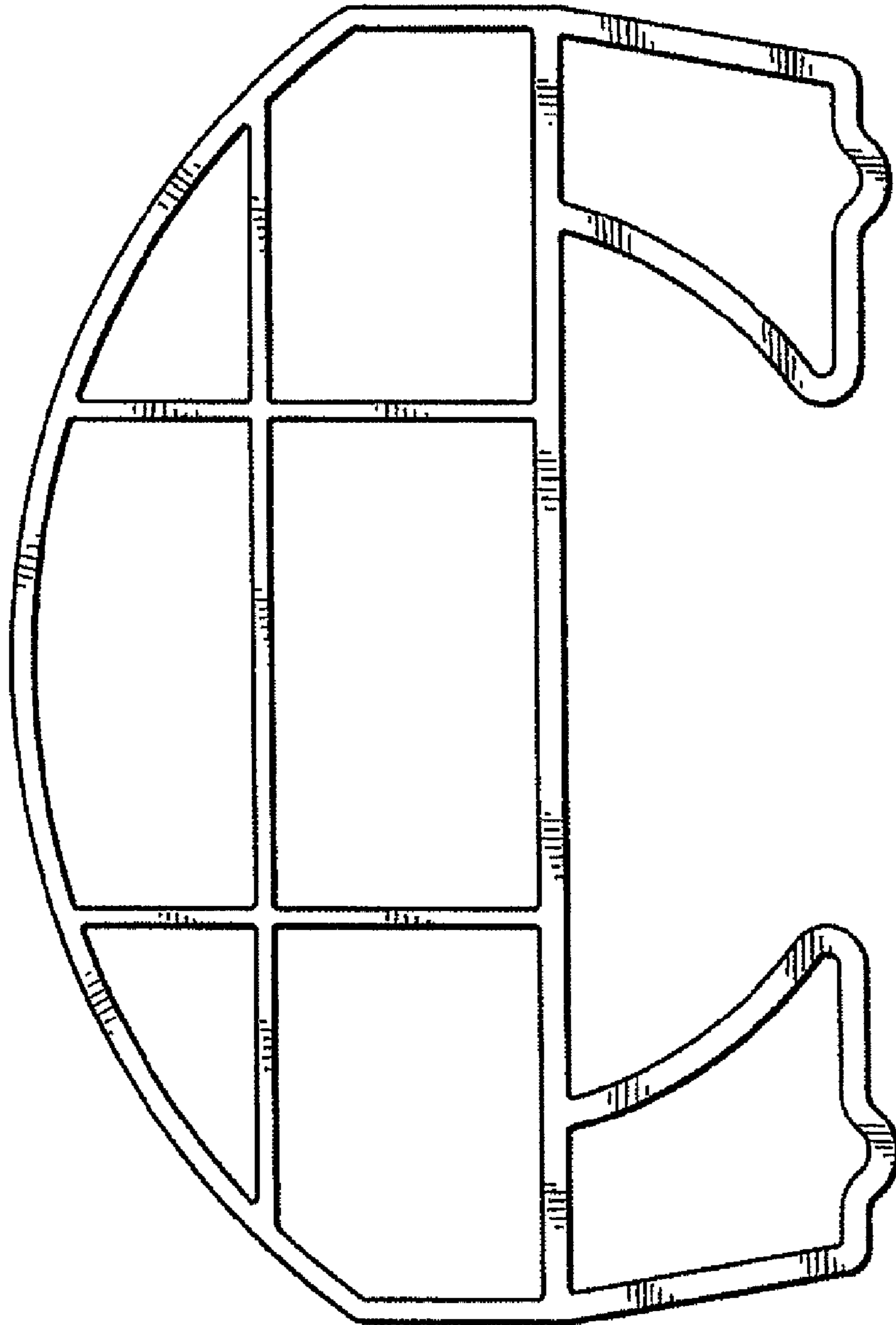


FIG. 6

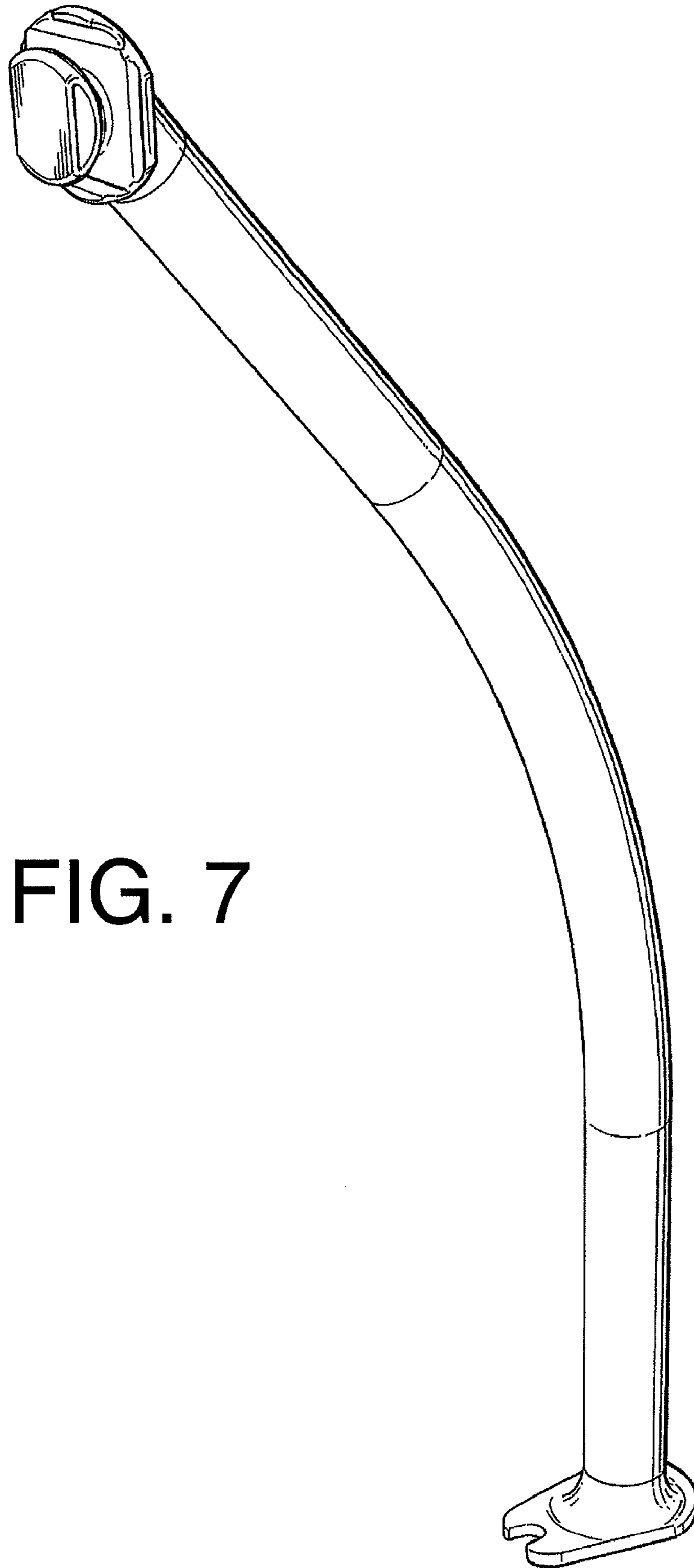


FIG. 7

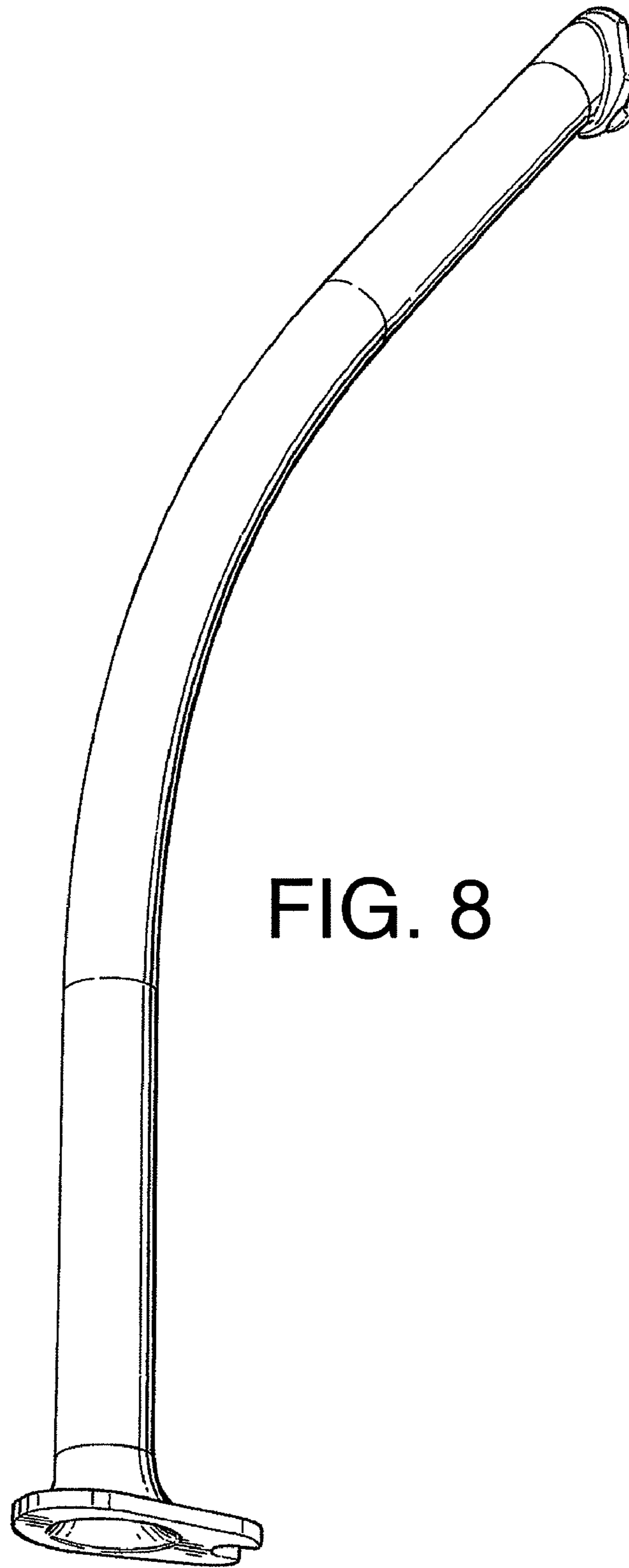


FIG. 8

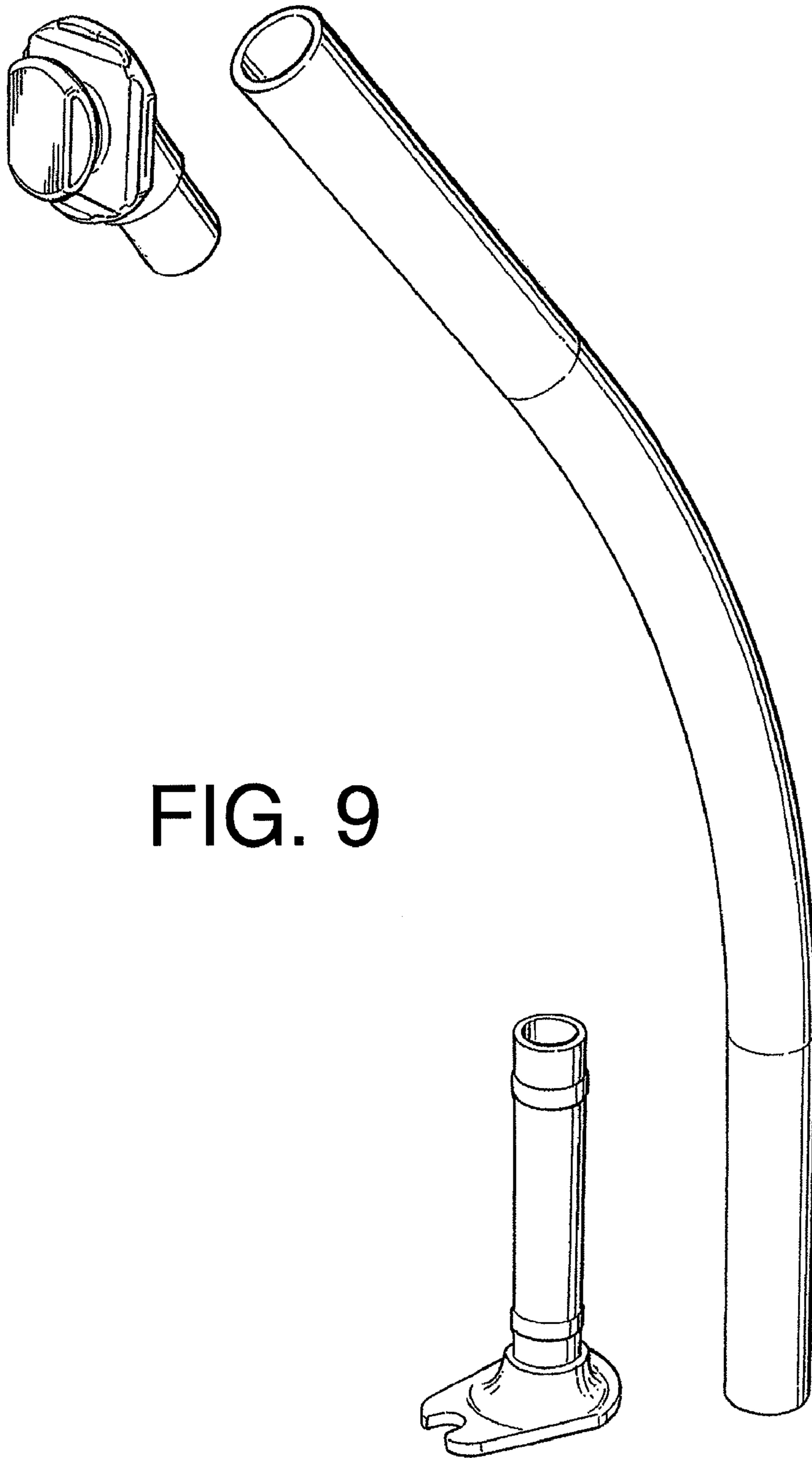


FIG. 9



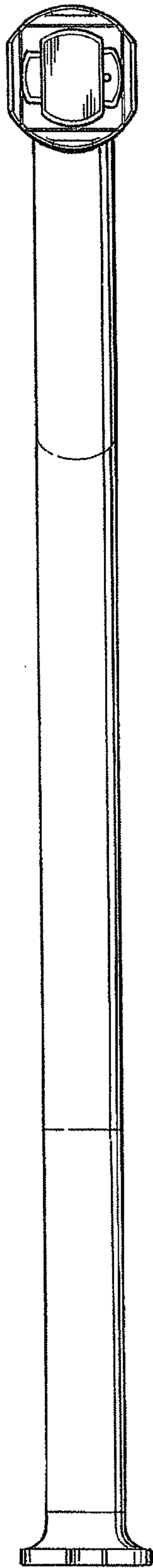


FIG. 10

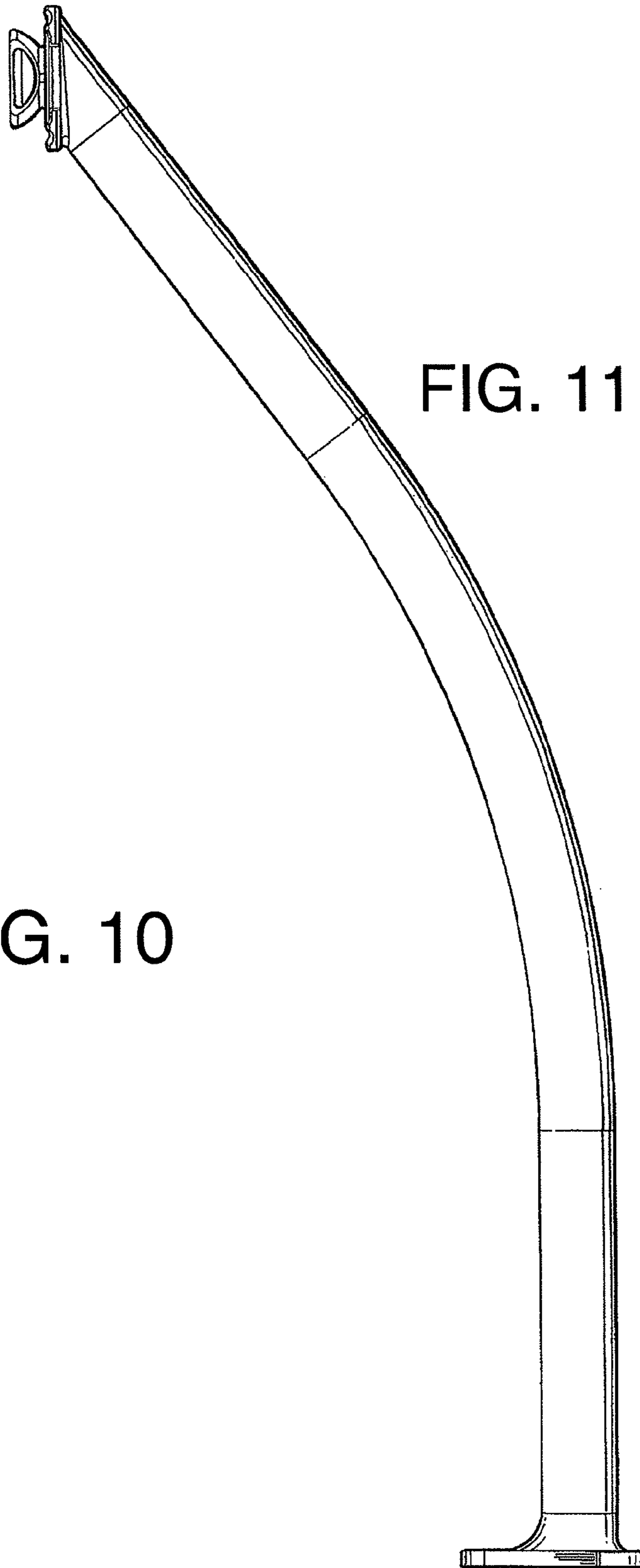


FIG. 11

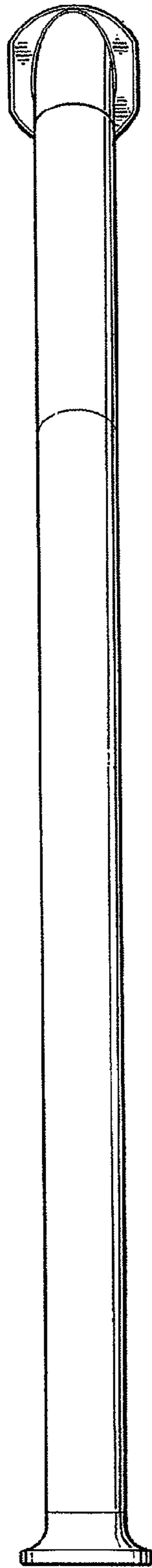


FIG. 14

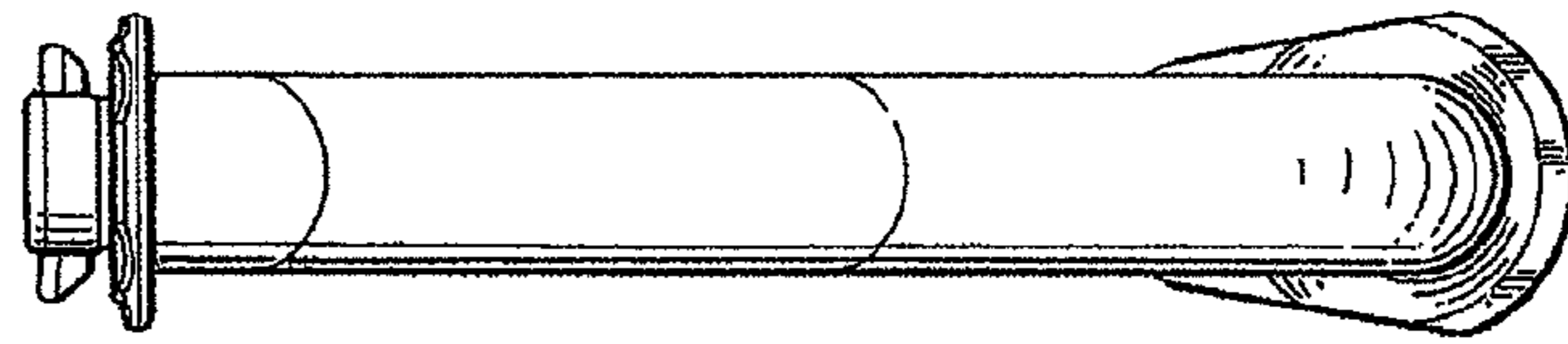


FIG. 12

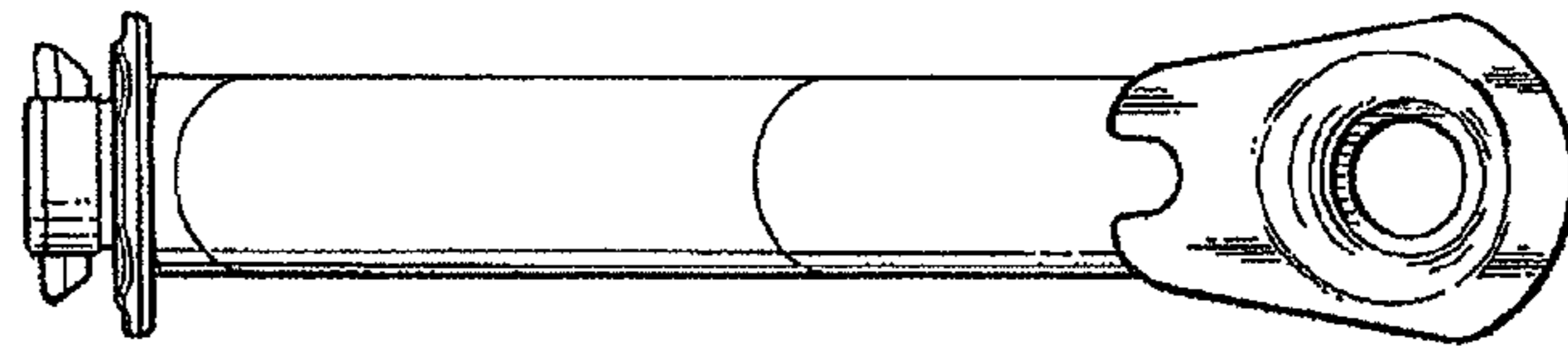


FIG. 13

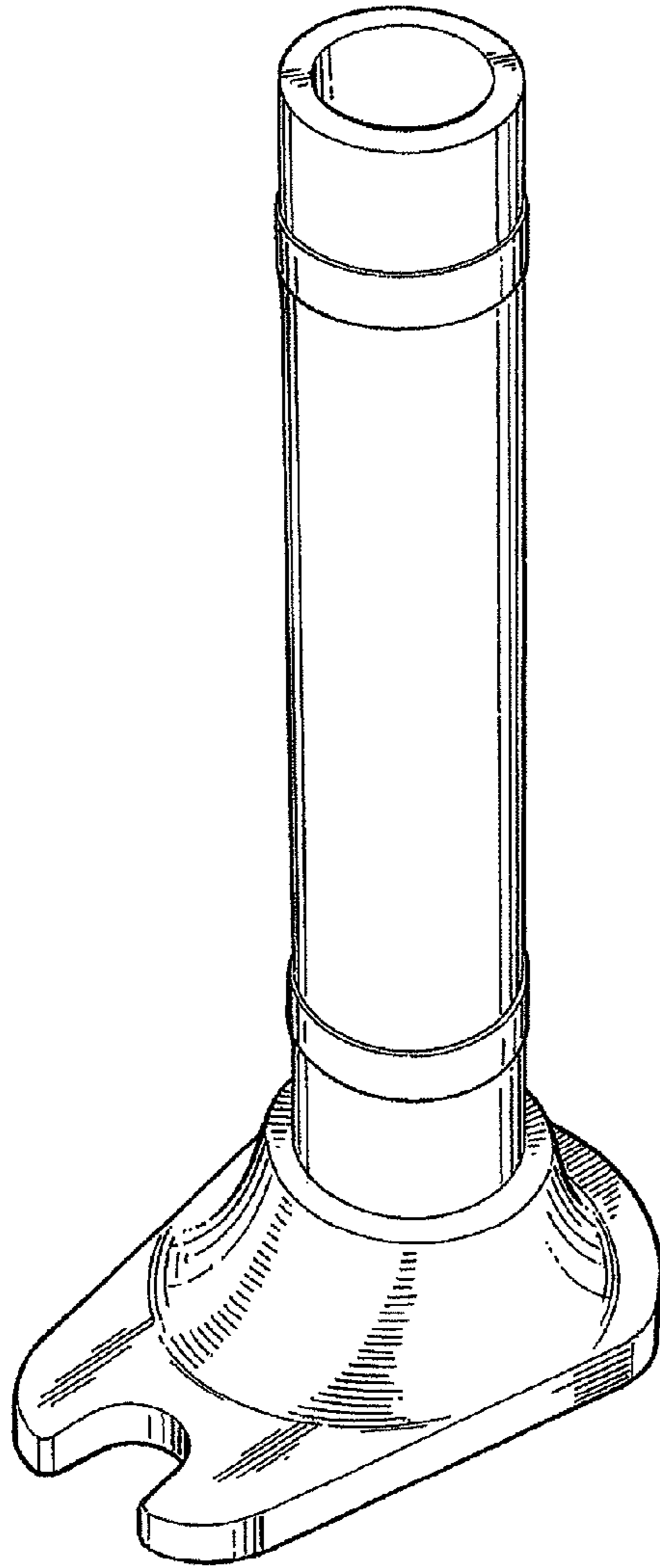


FIG. 15

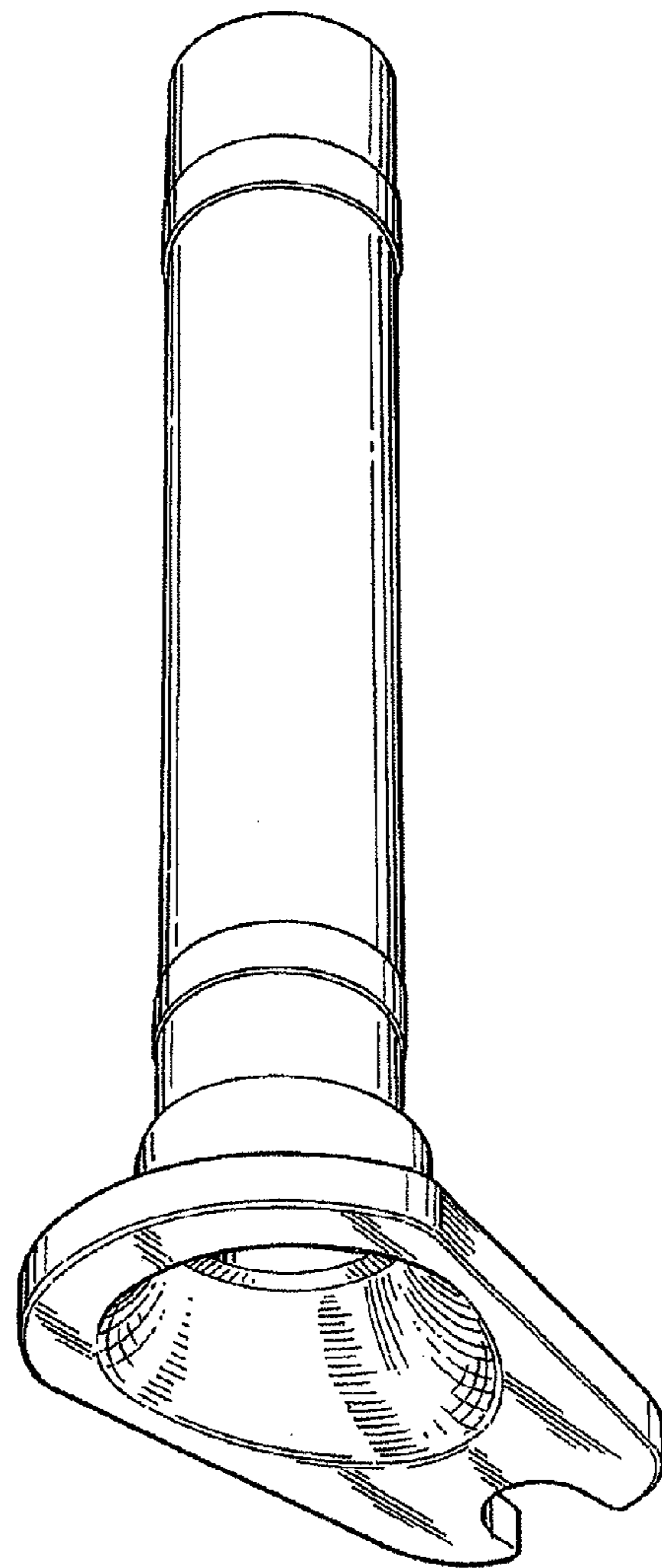


FIG. 16

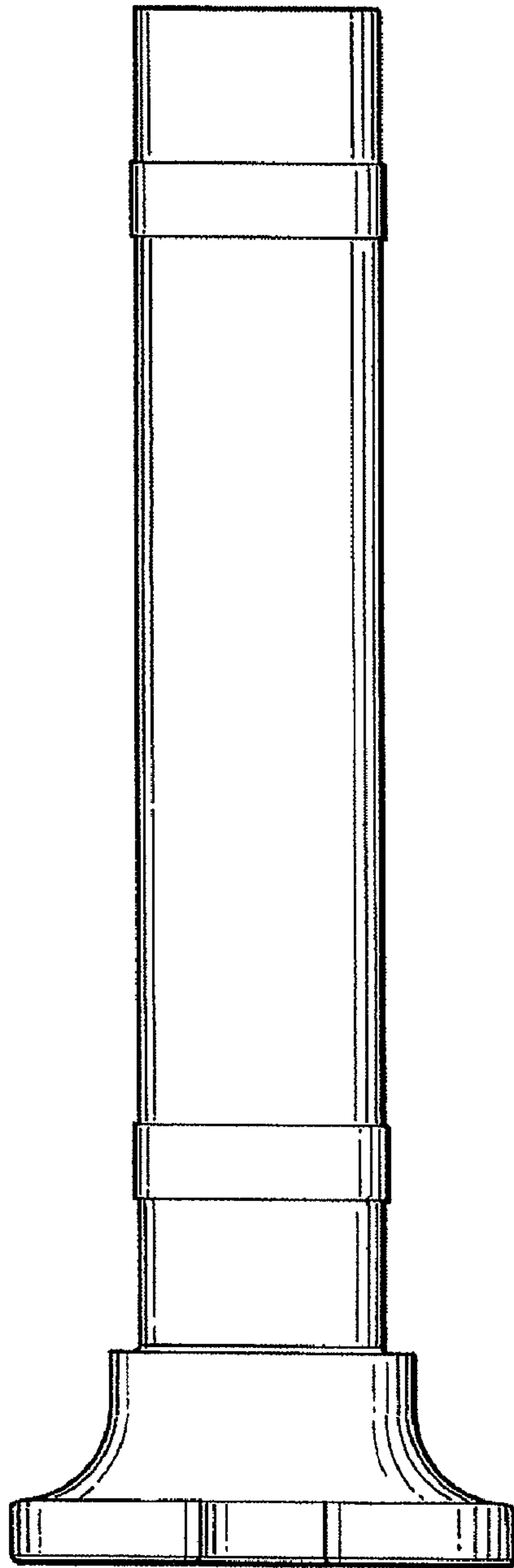


FIG. 17

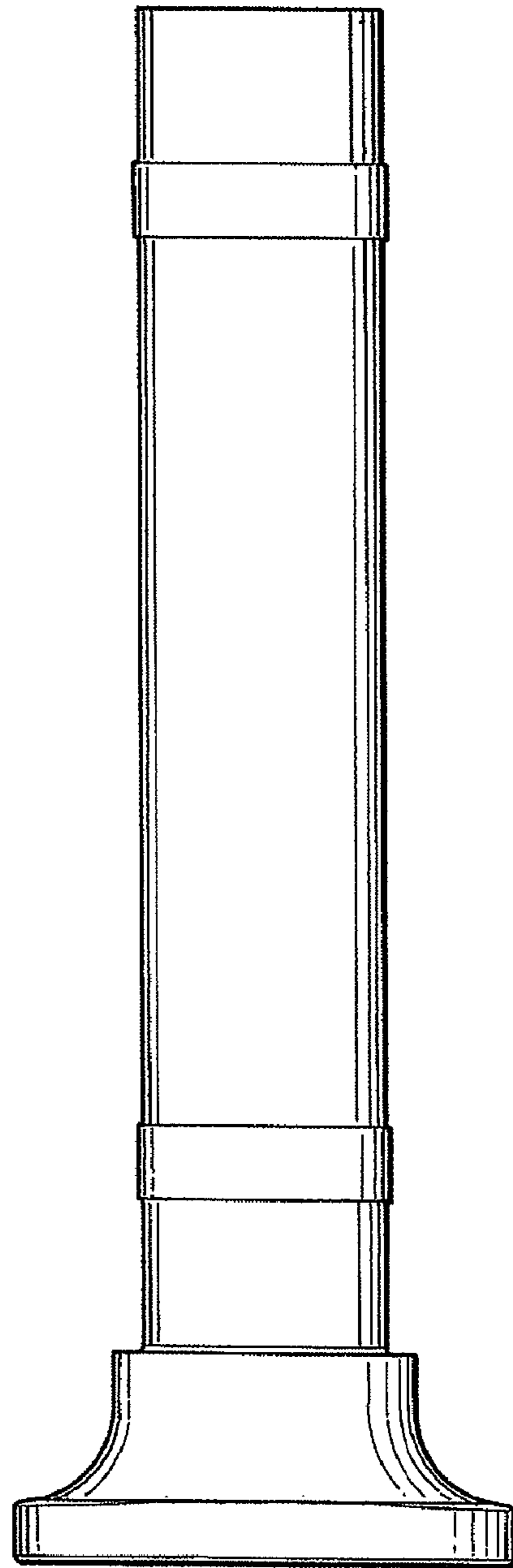


FIG. 18

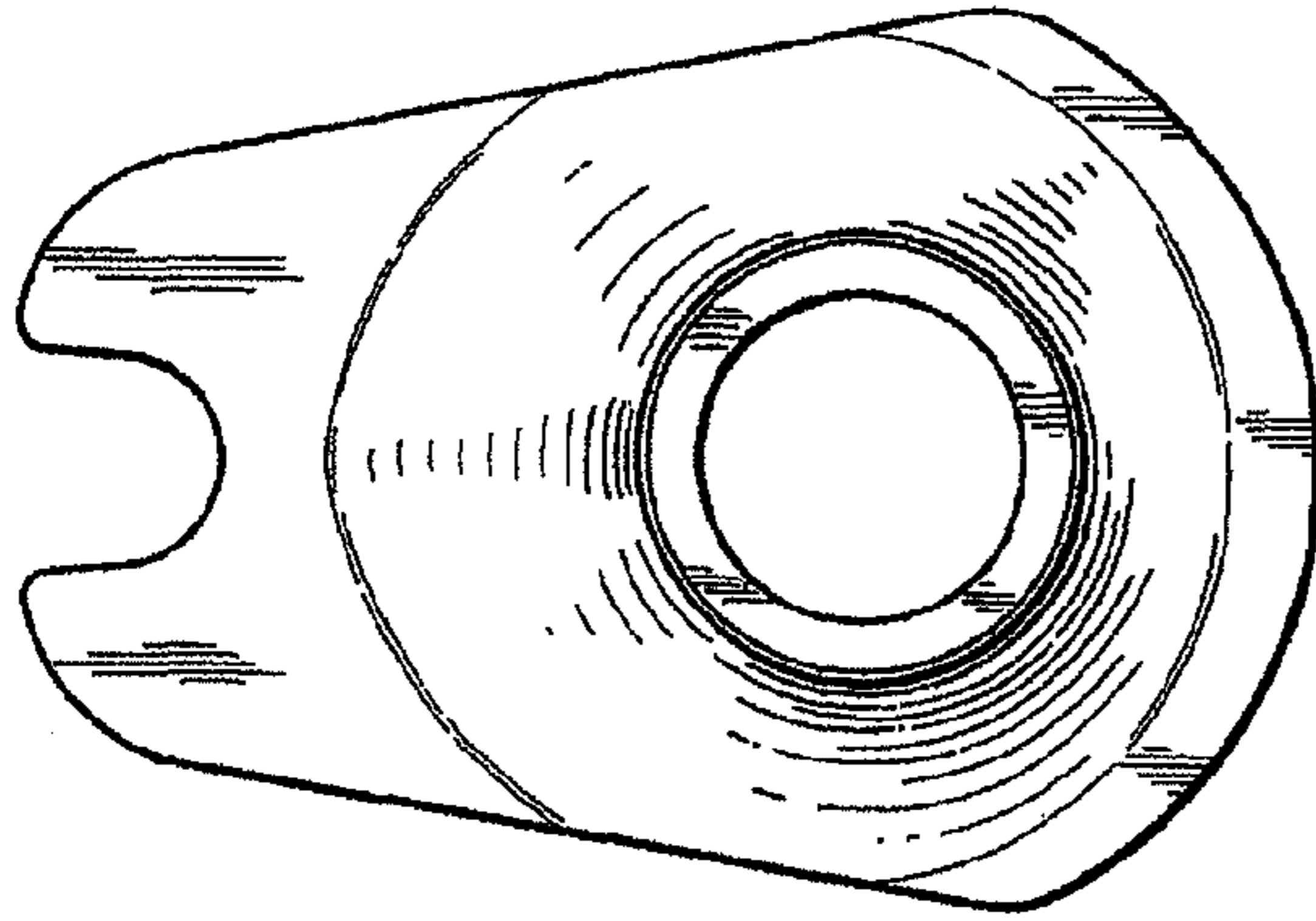


FIG. 19

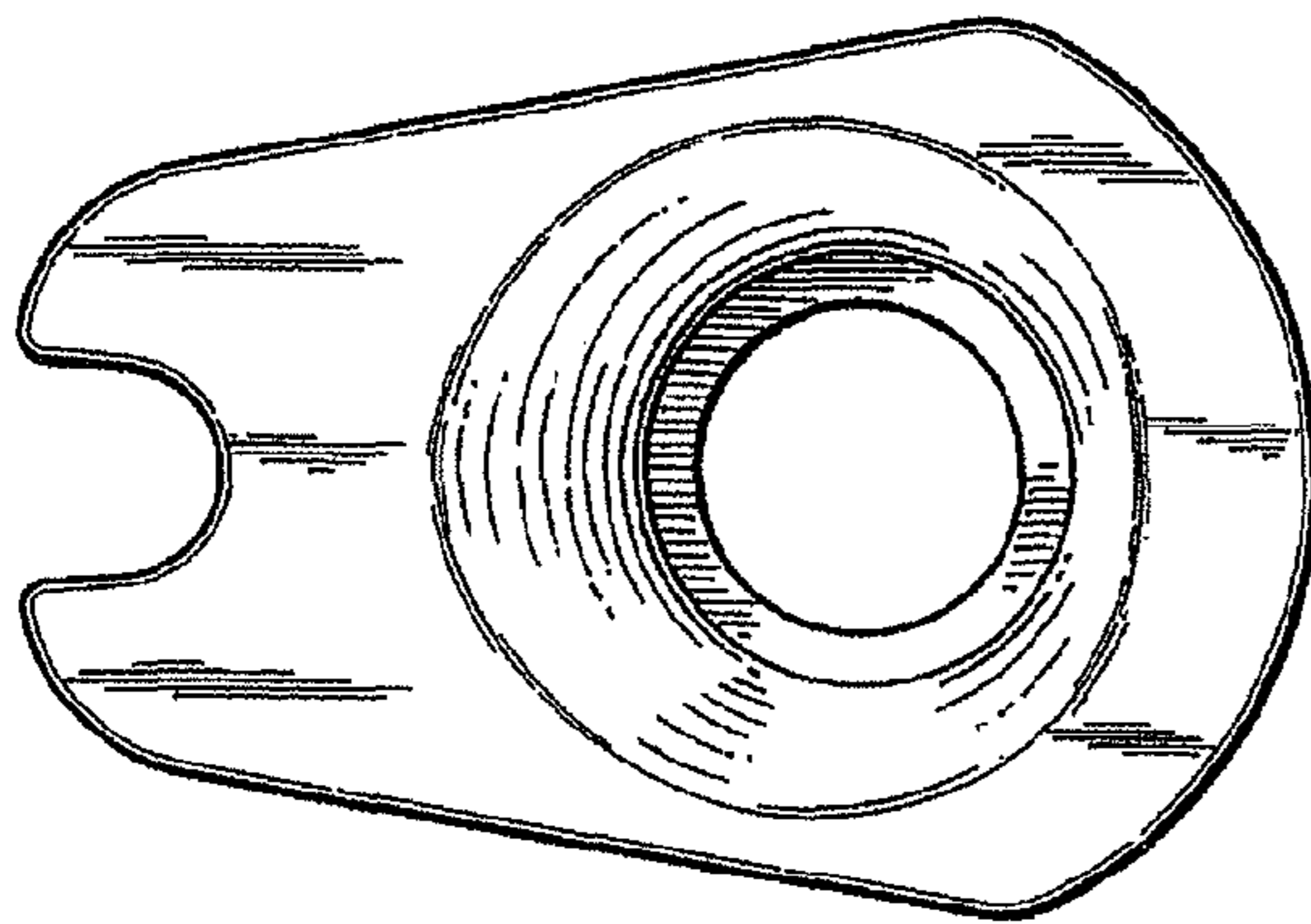


FIG. 20

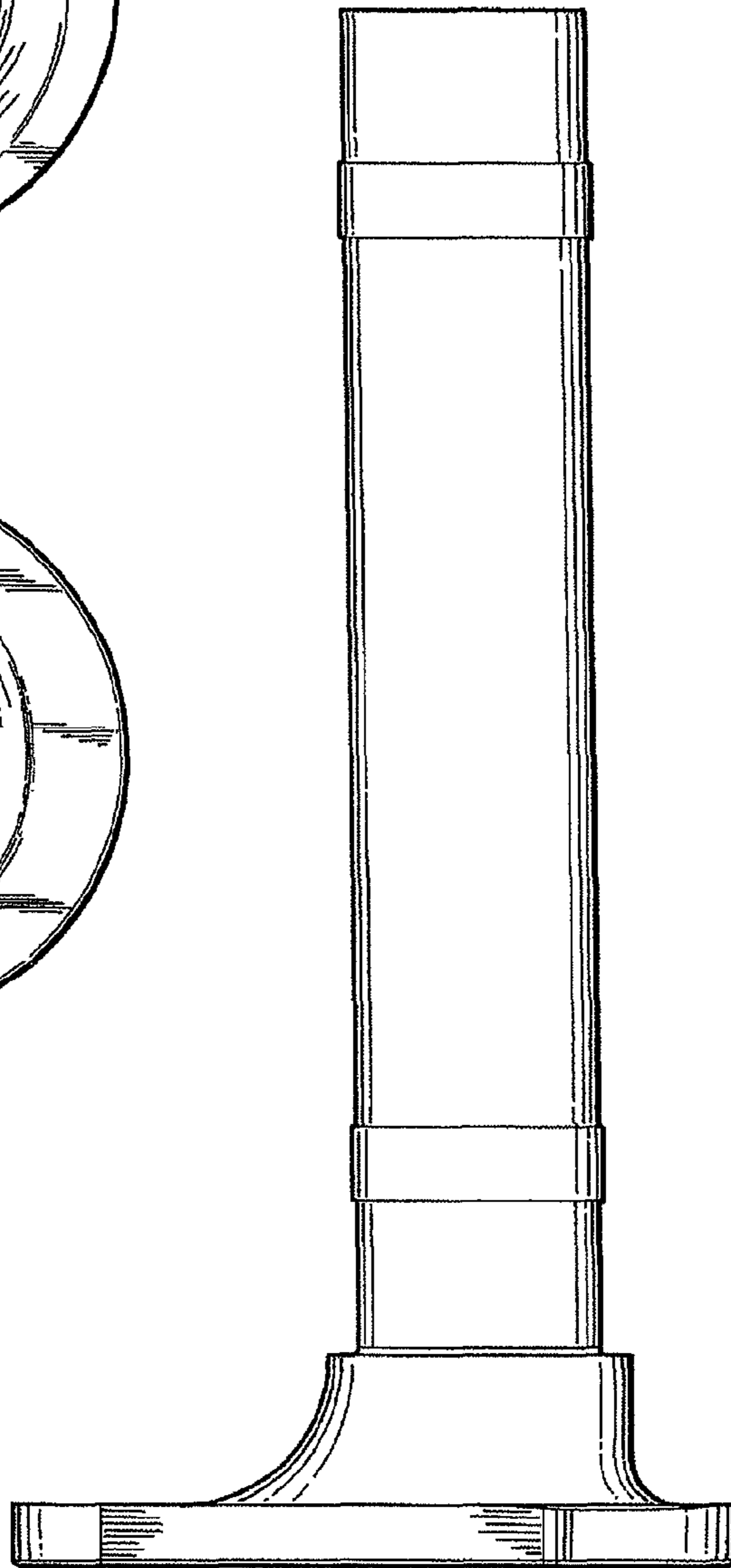


FIG. 21



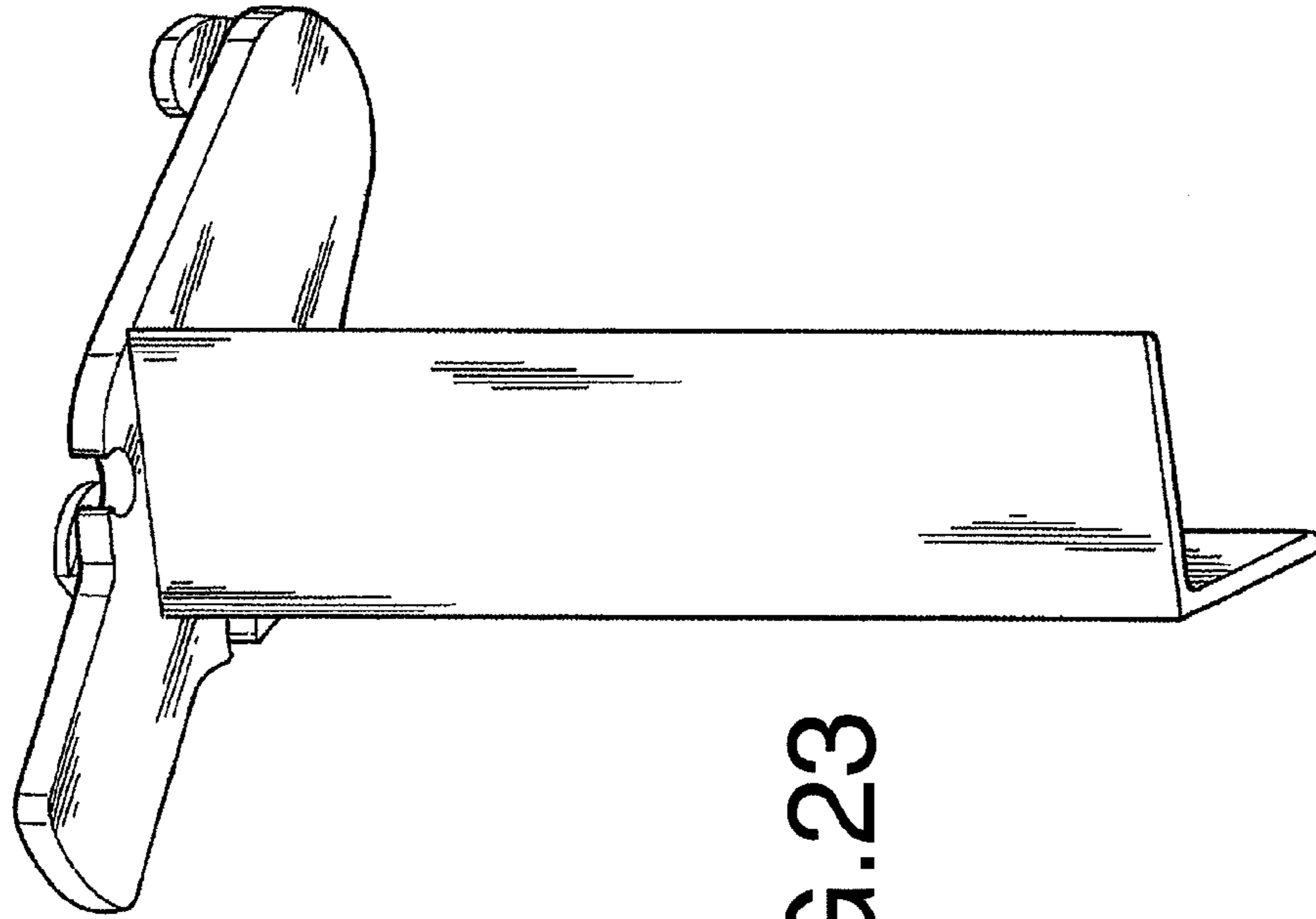


FIG. 23

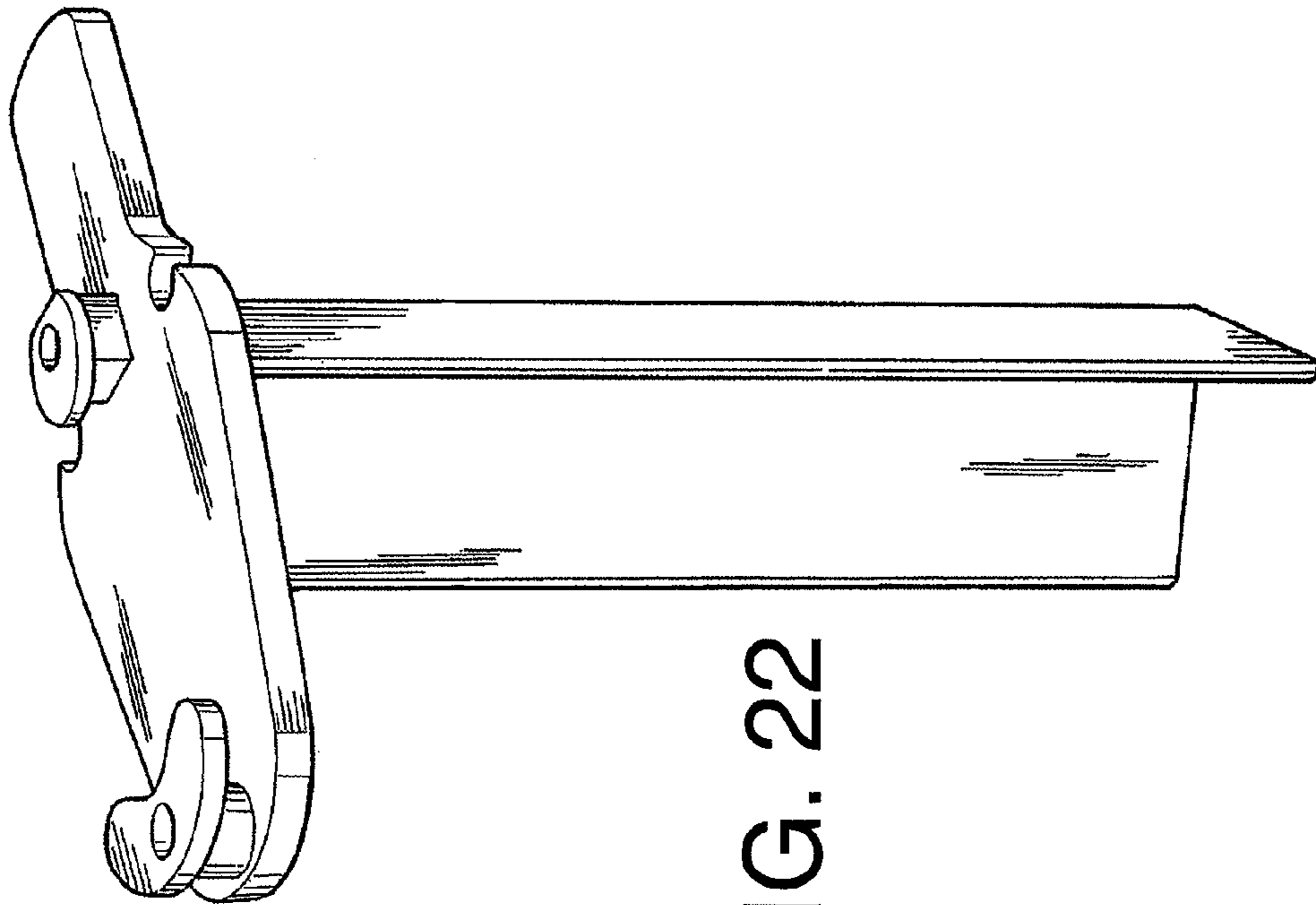


FIG. 22

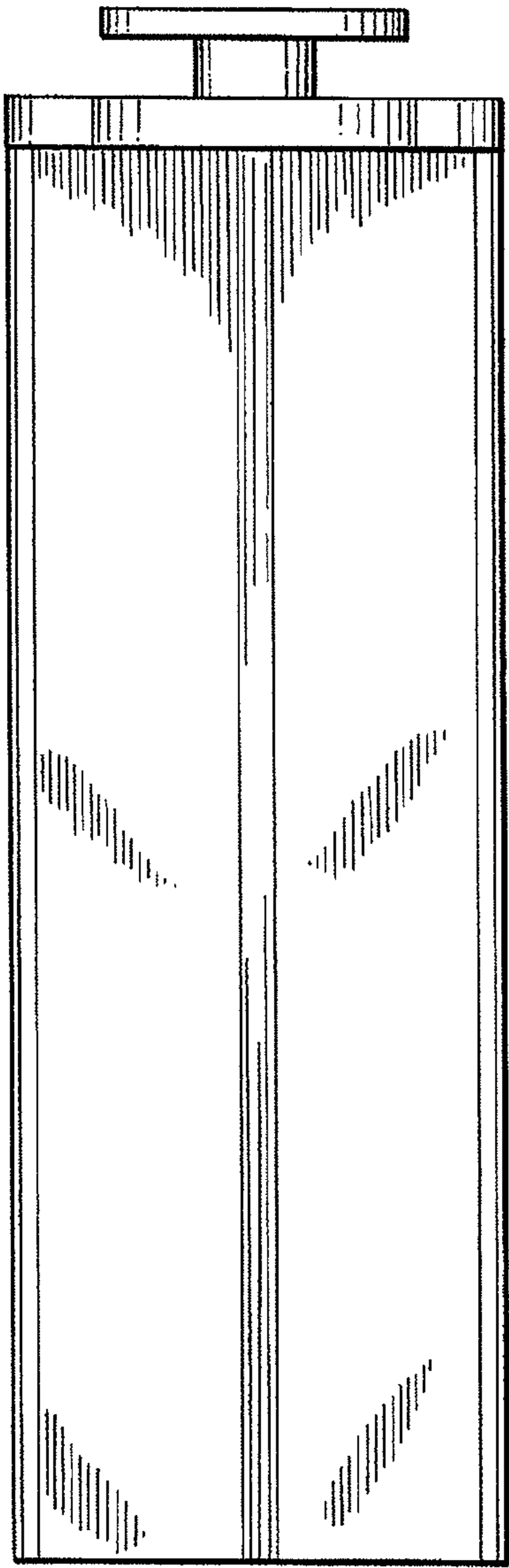


FIG. 24

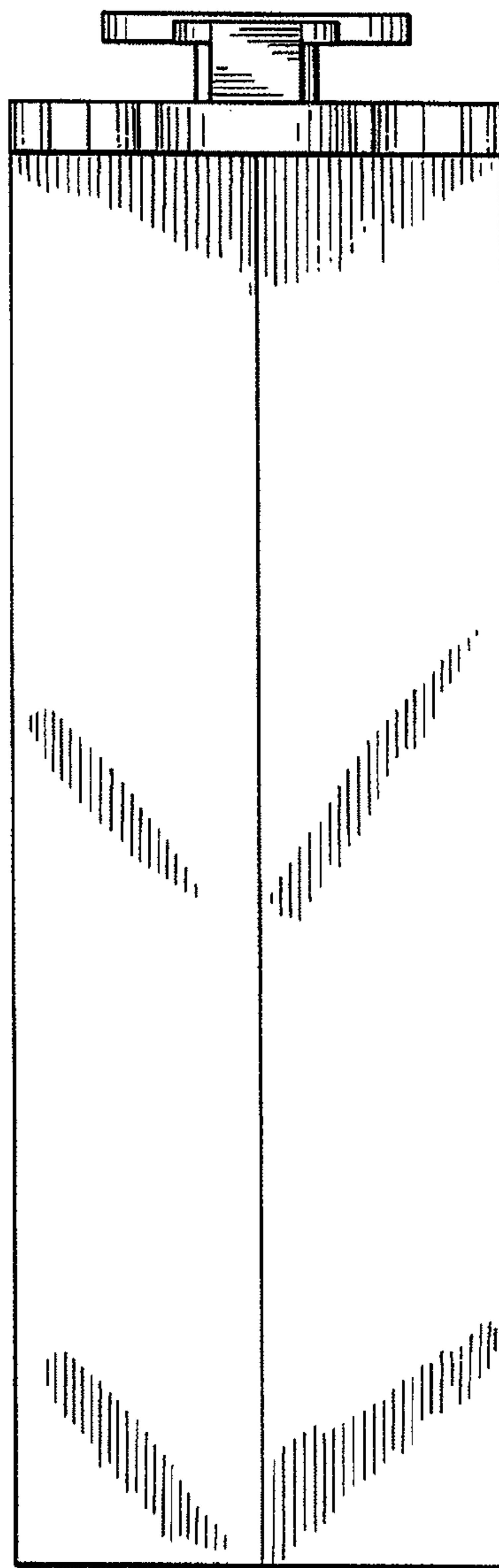


FIG. 25



FIG. 26

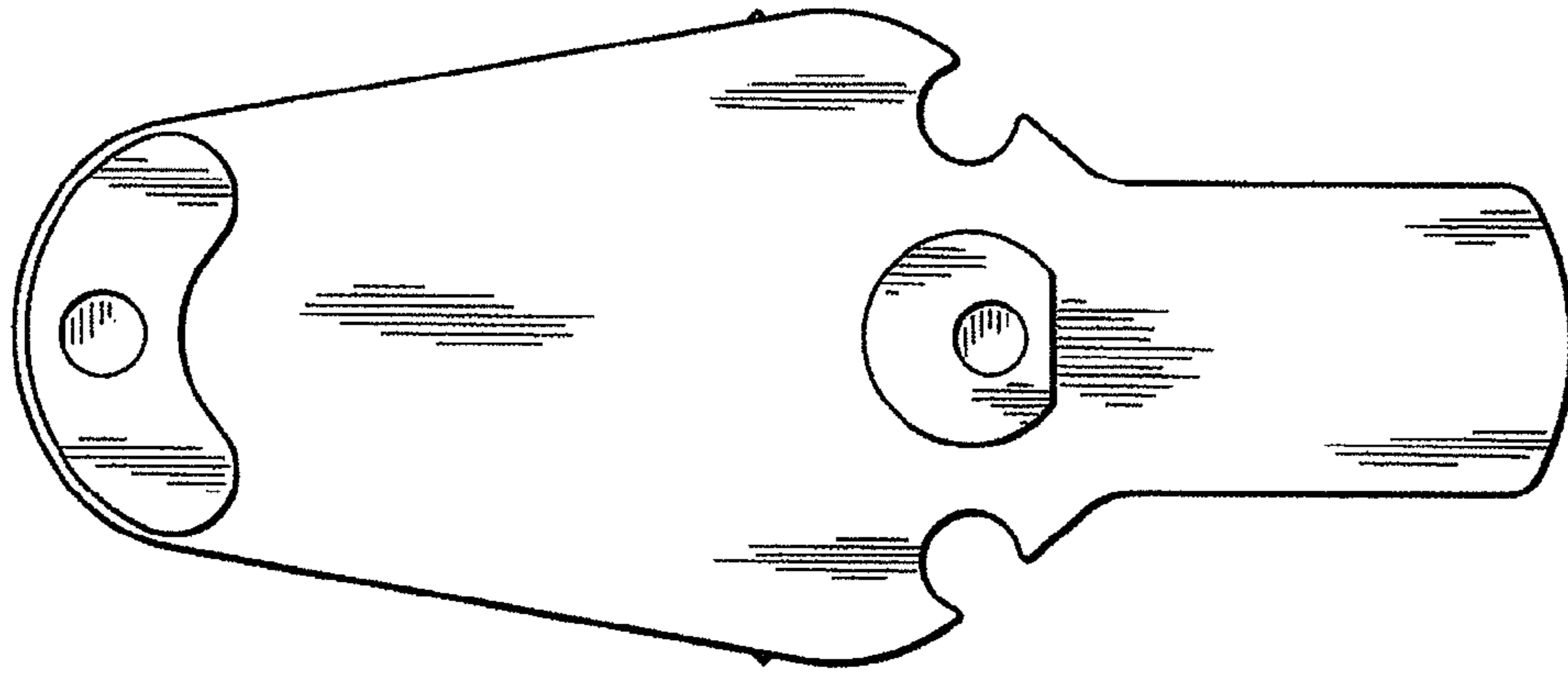


FIG. 27

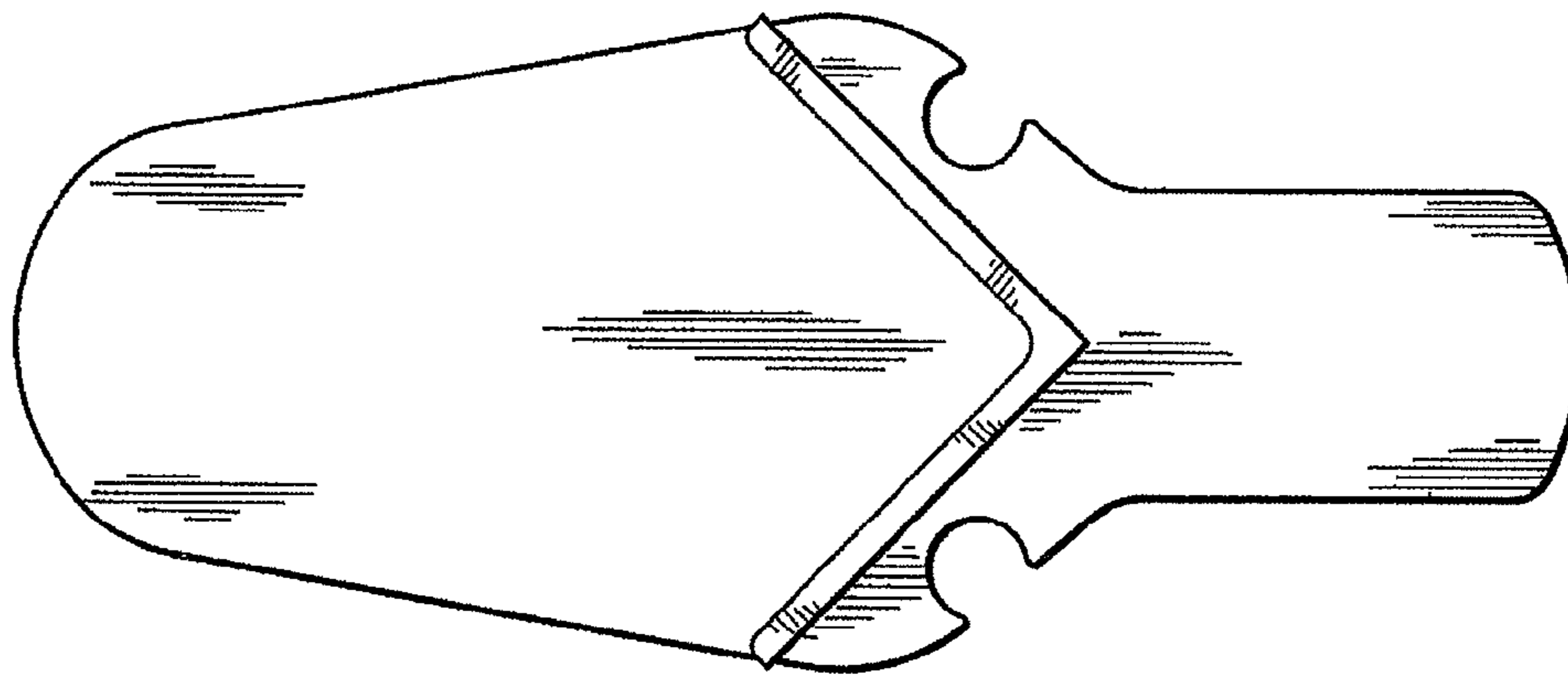


FIG. 28

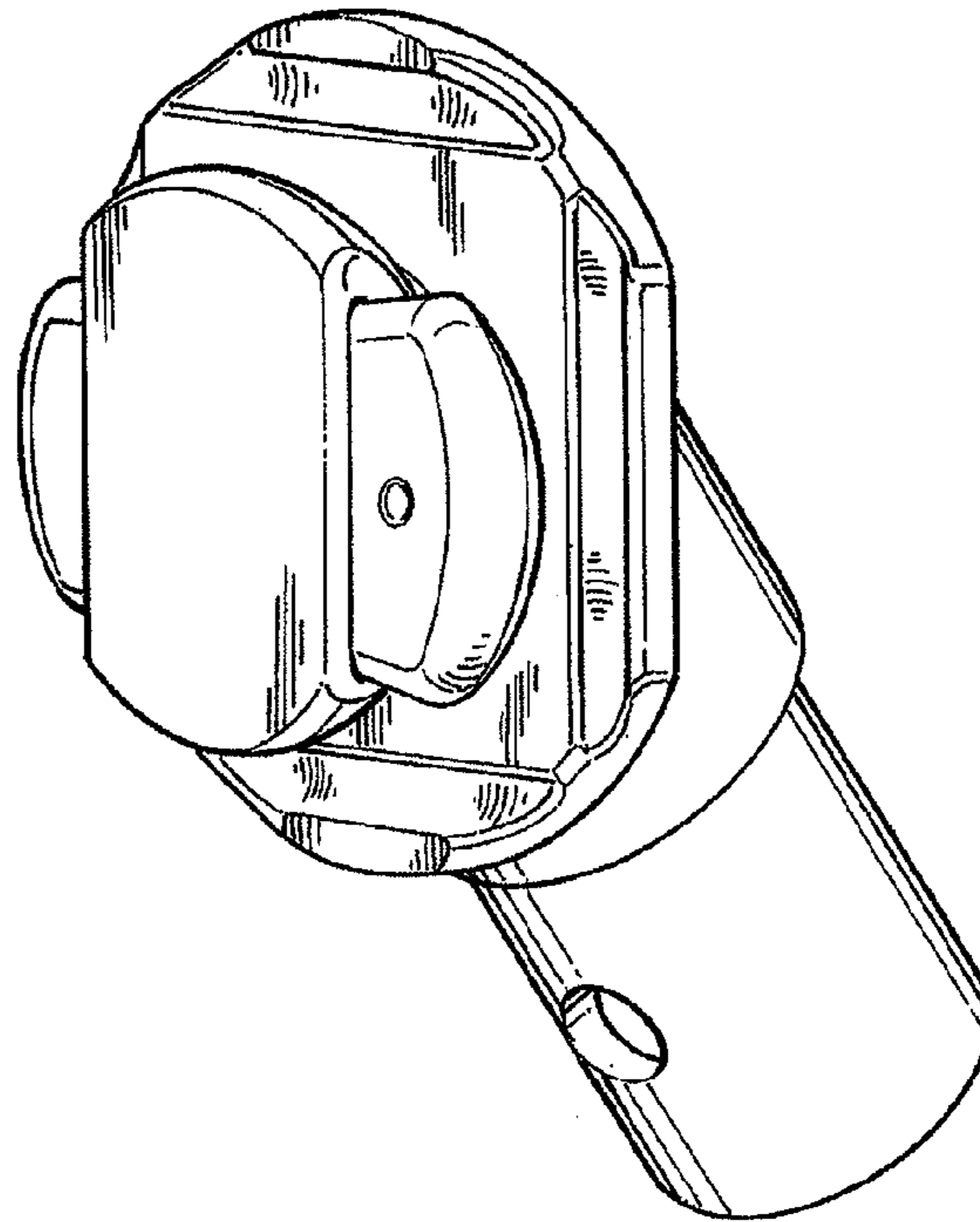


FIG. 29

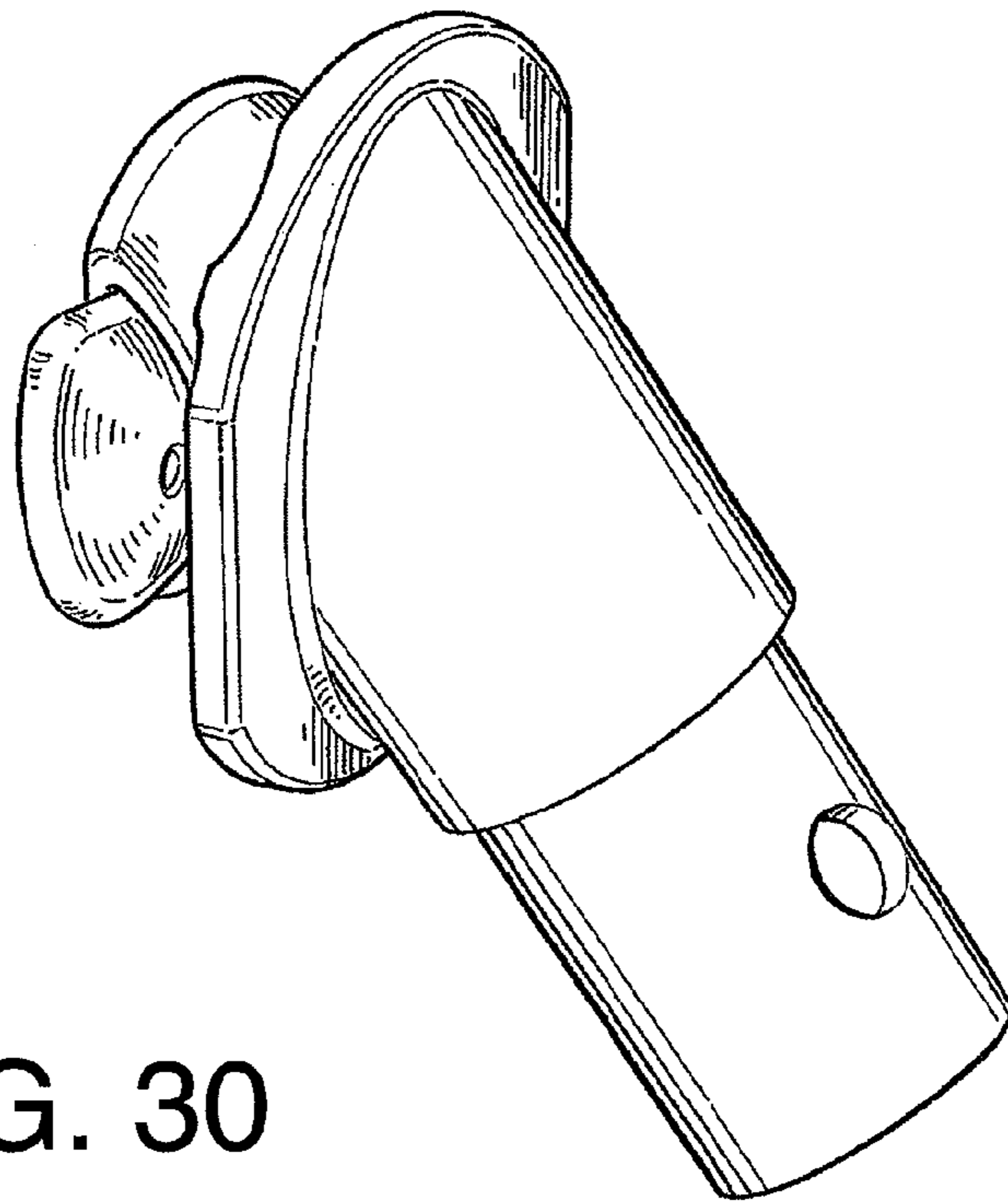


FIG. 30



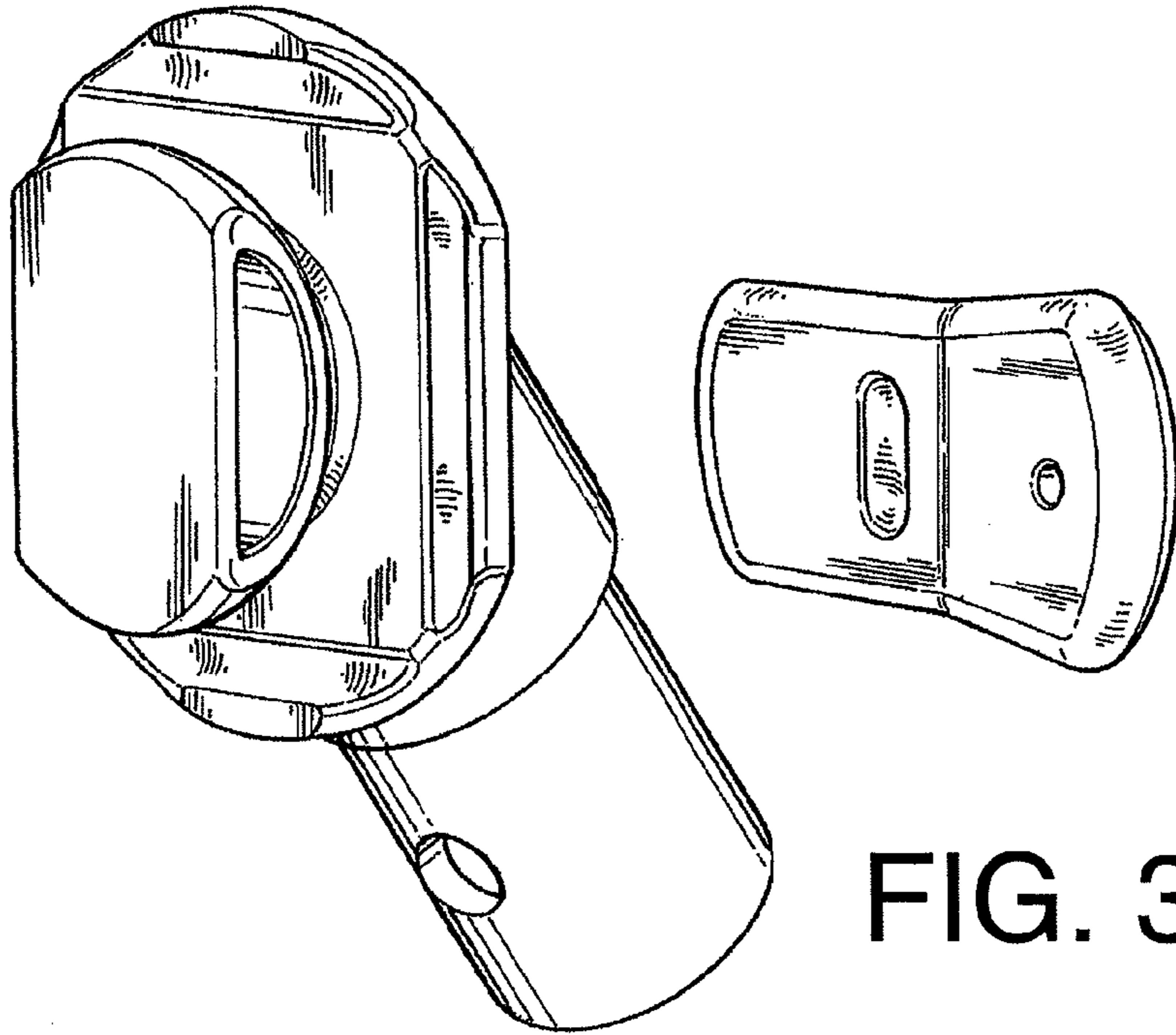


FIG. 31

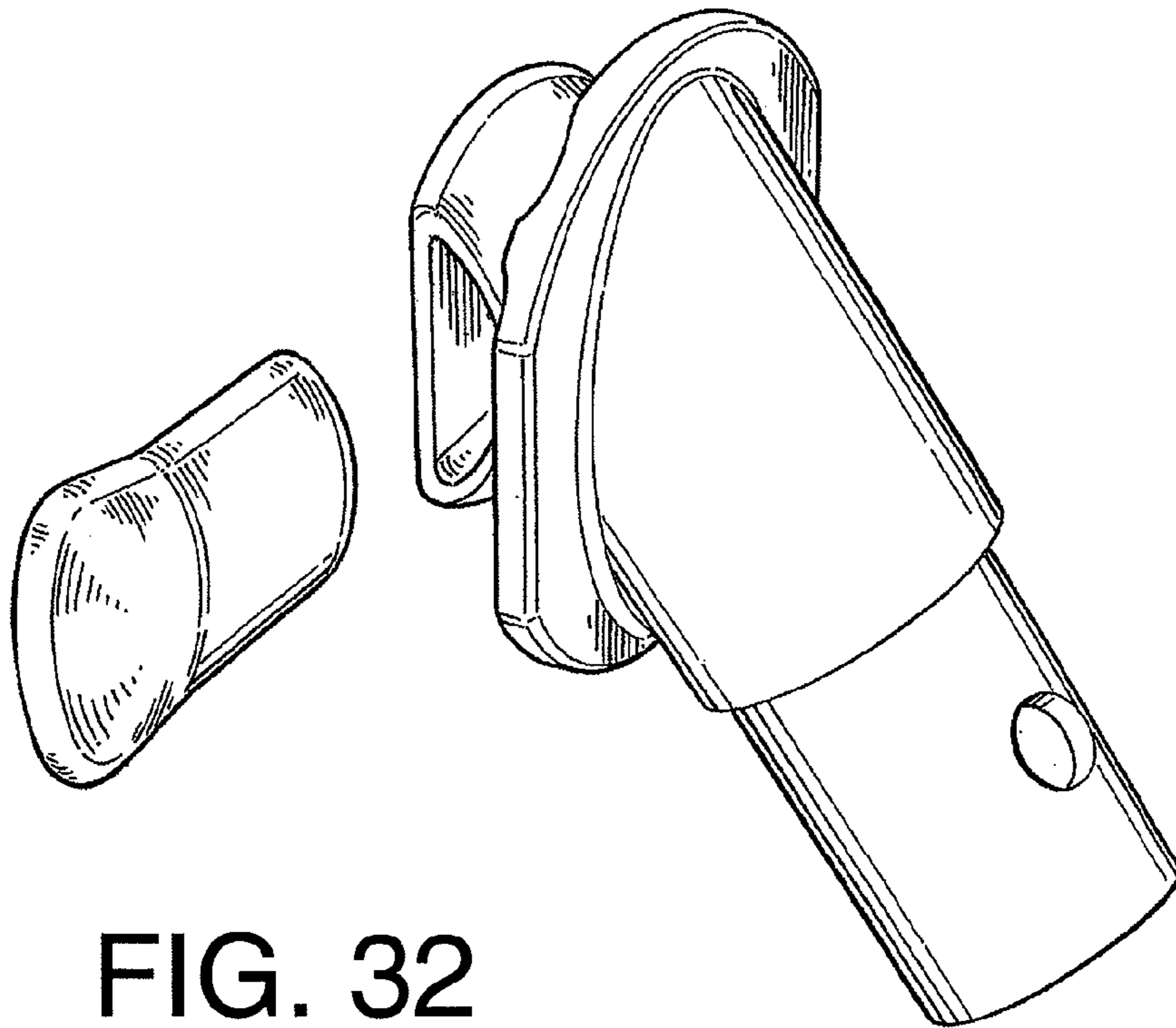


FIG. 32

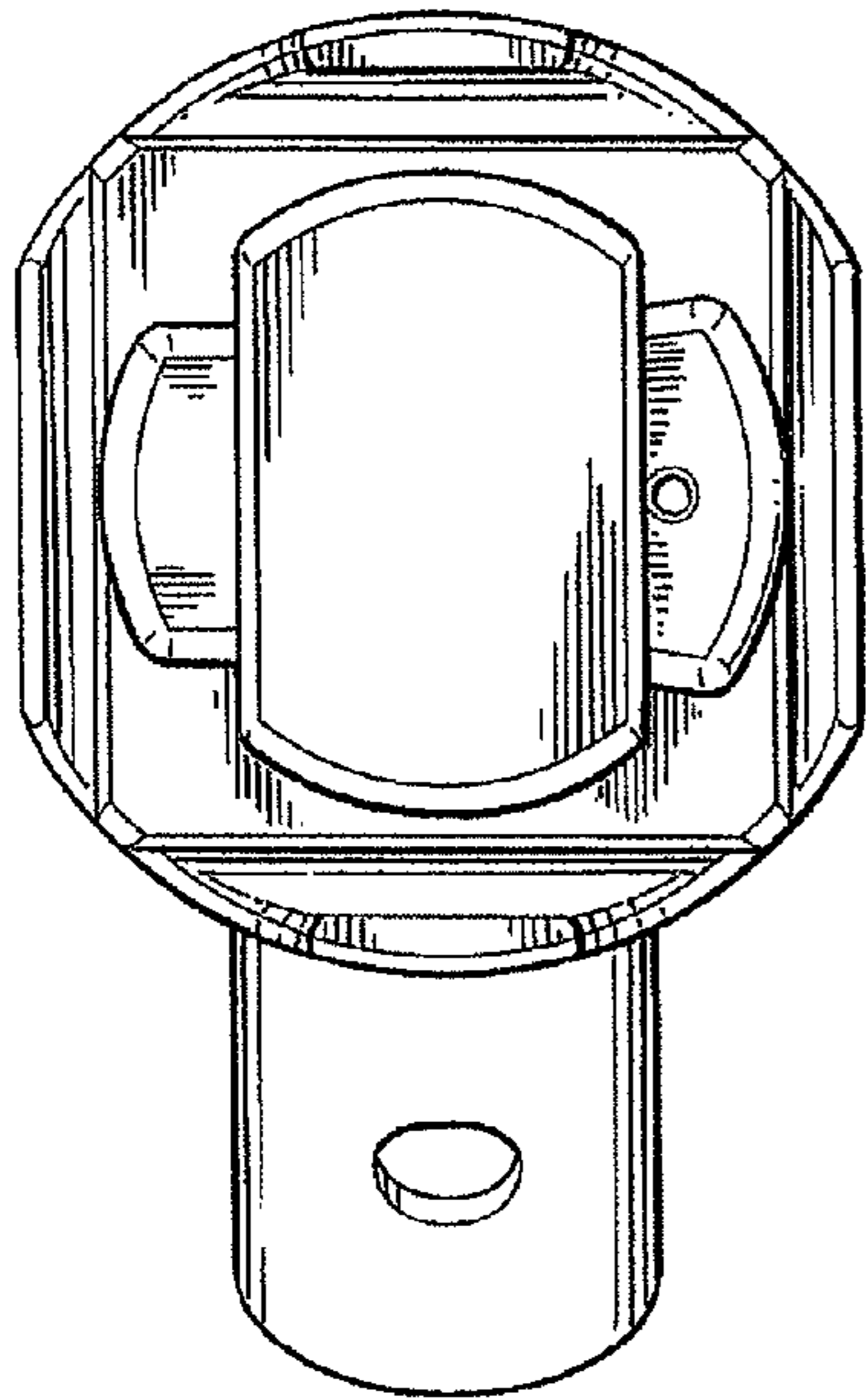


FIG. 33

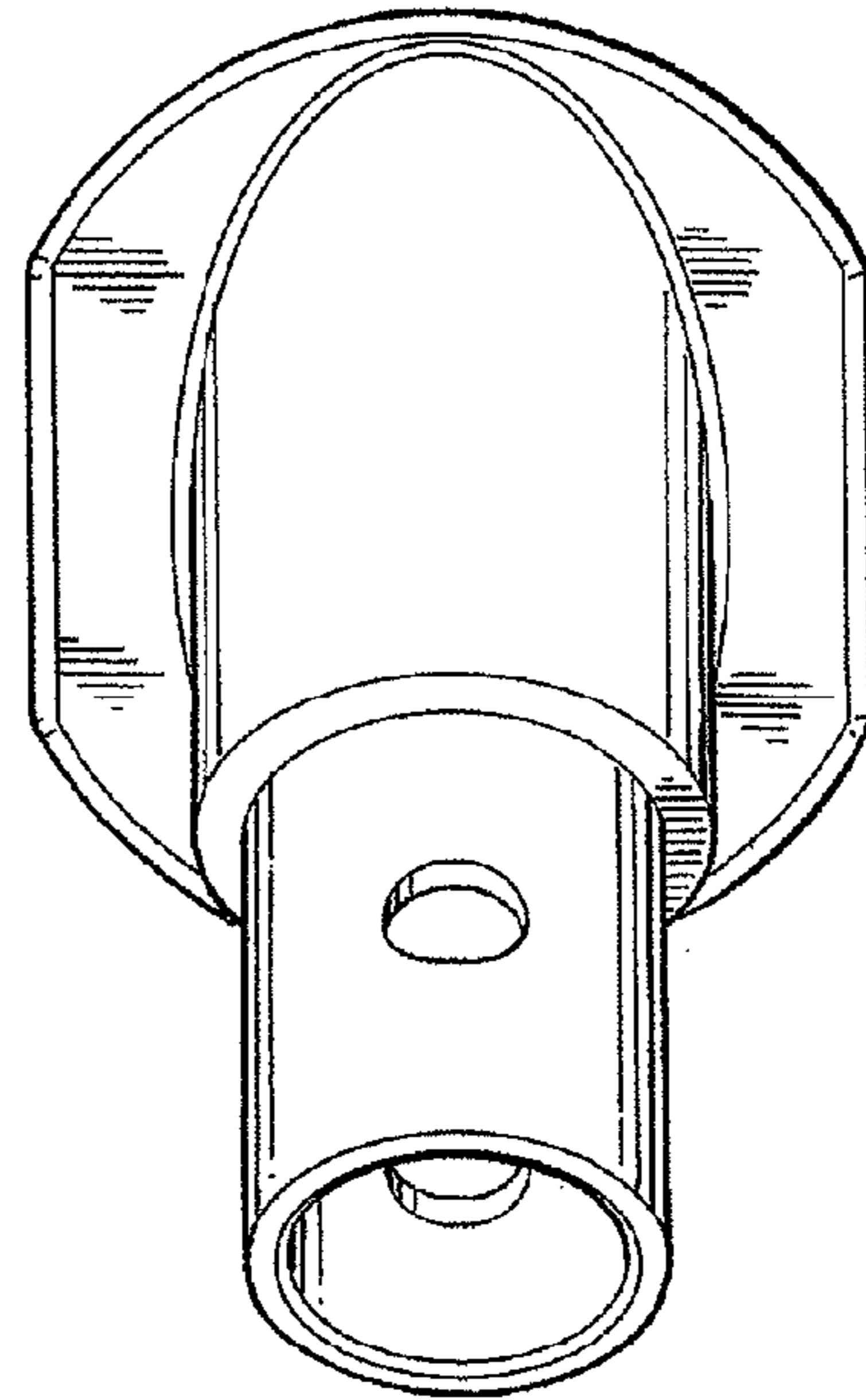


FIG. 34

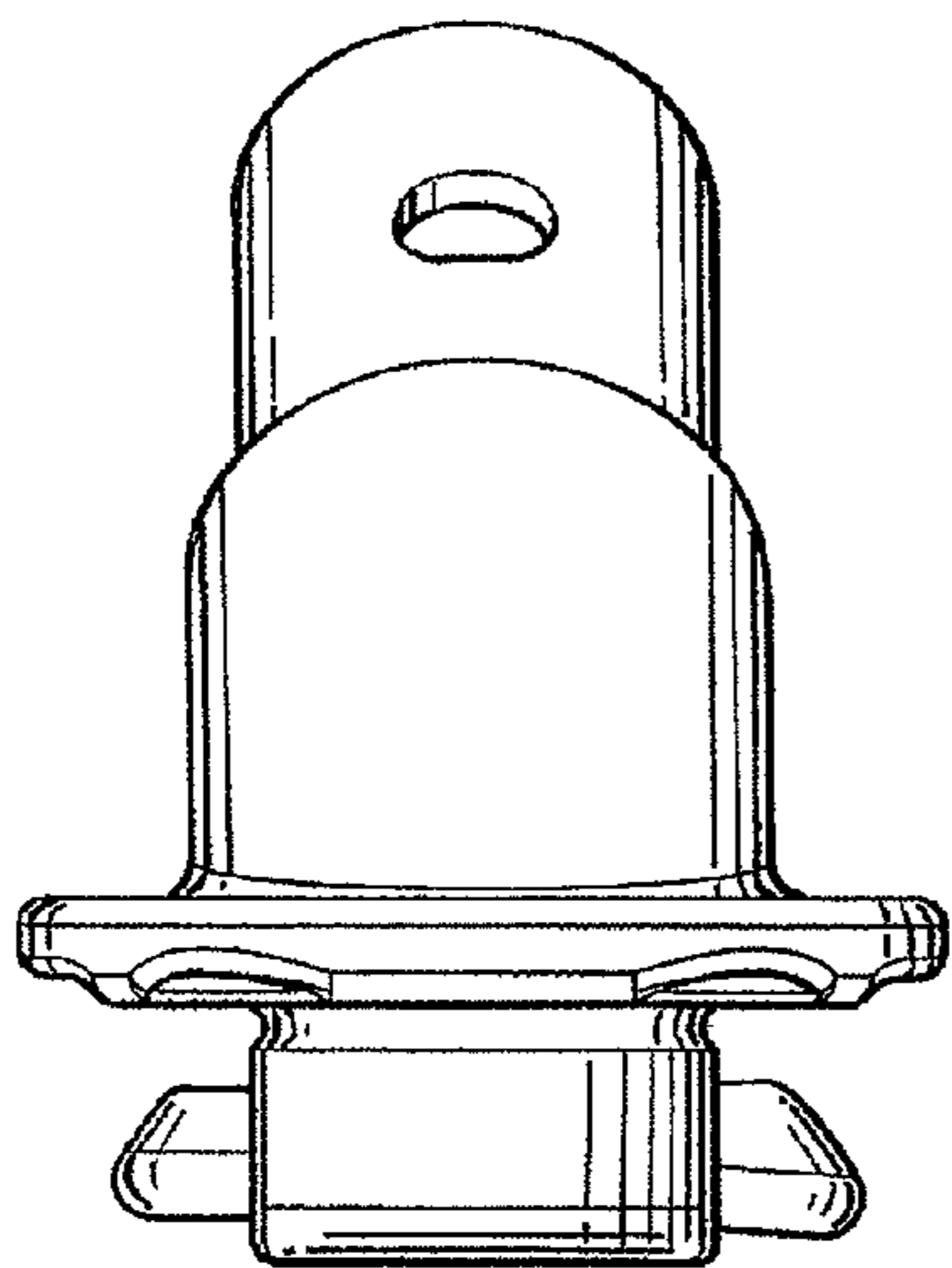


FIG. 35

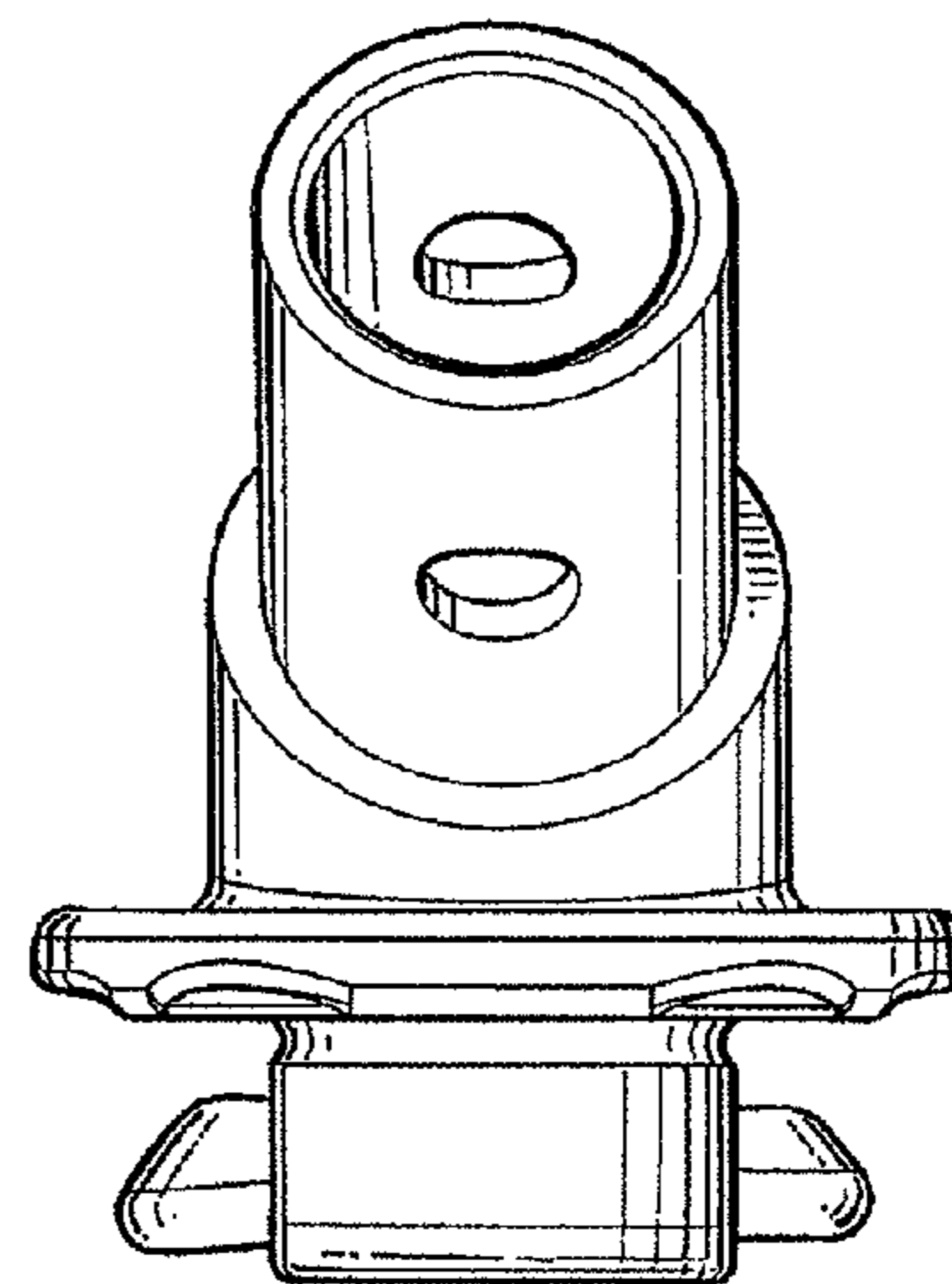


FIG. 36

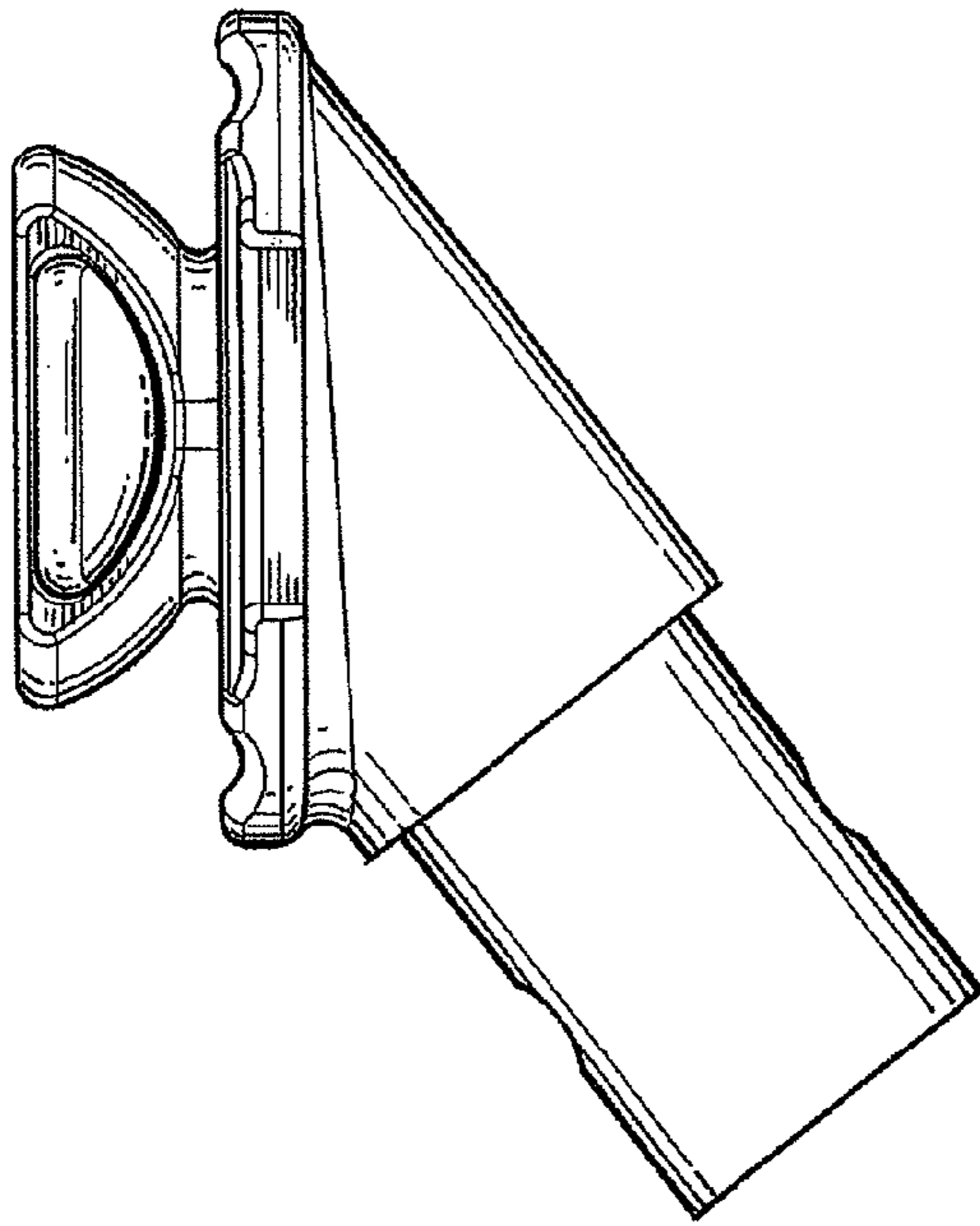


FIG. 37

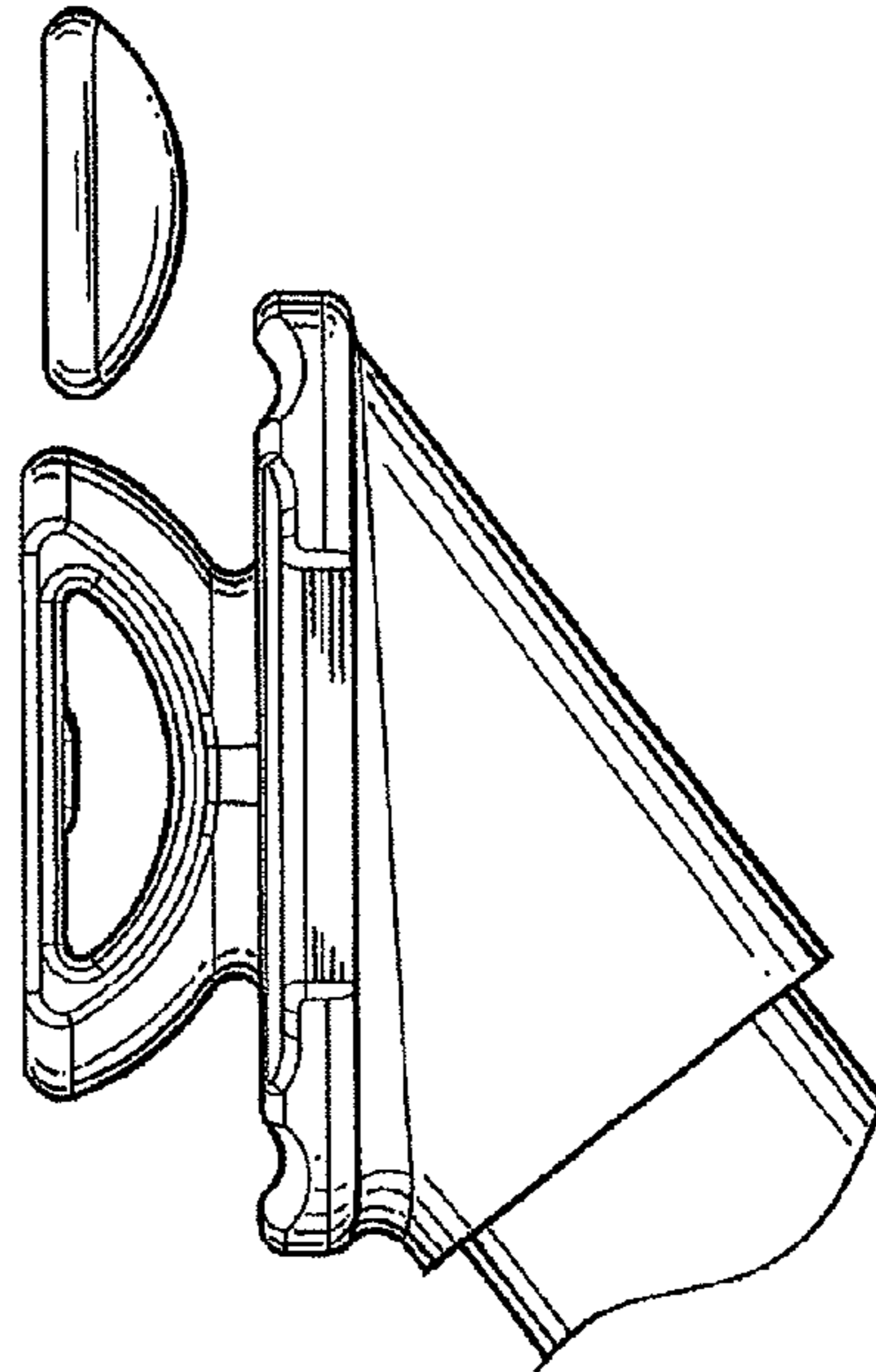


FIG. 38

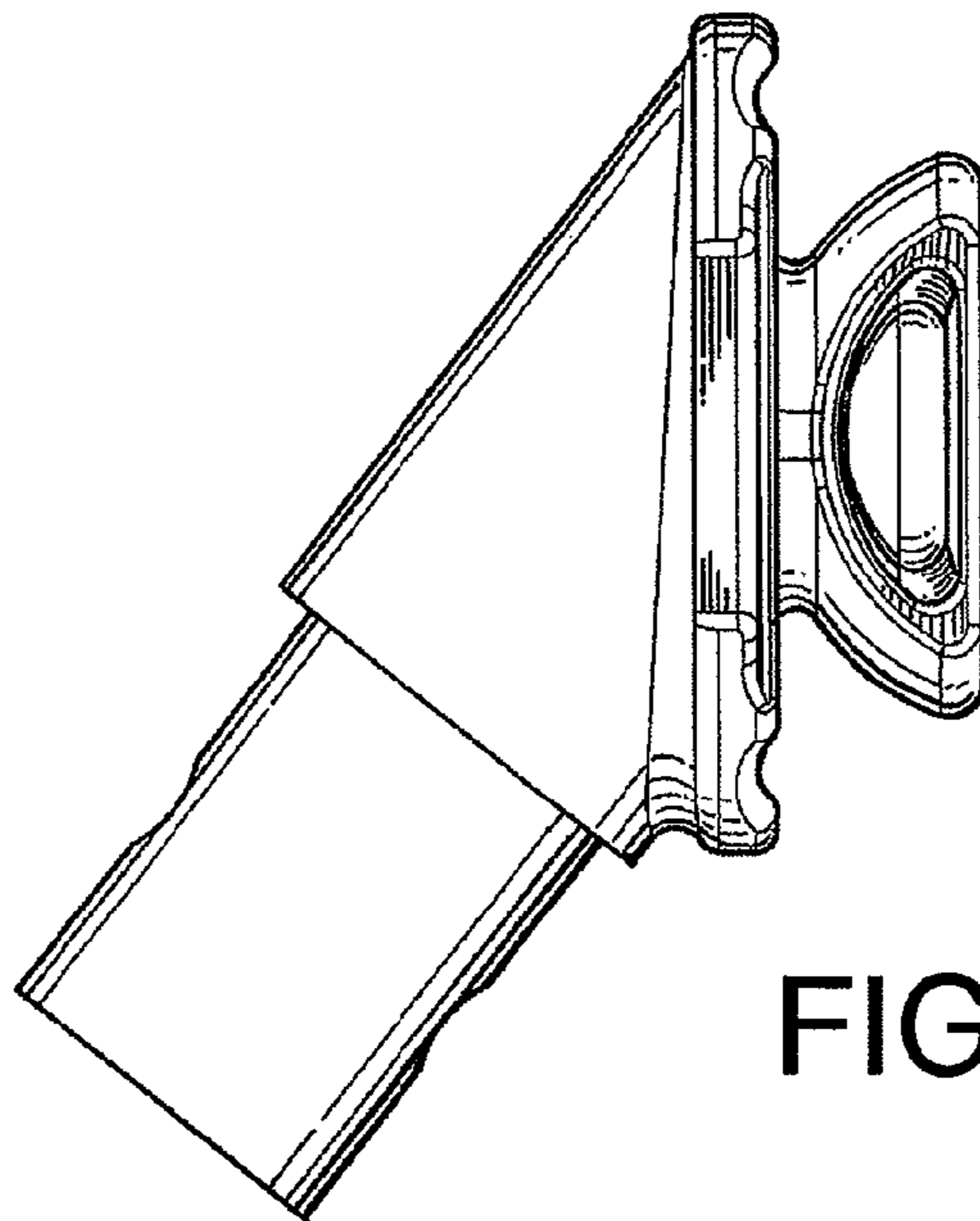


FIG. 39