



US00D620123S

(12) **United States Design Patent**
Igwebuike

(10) **Patent No.:** **US D620,123 S**

(45) **Date of Patent:** **** Jul. 20, 2010**

(54) **WOUND DRESSING**

(75) Inventor: **Henning Igwebuike**, Lynge (DK)

(73) Assignee: **Coloplast A/S**, Humlebaek (DK)

(**) Term: **14 Years**

(21) Appl. No.: **29/346,490**

(22) Filed: **Nov. 2, 2009**

(51) **LOC (9) Cl.** **24-04**

(52) **U.S. Cl.** **D24/189**

(58) **Field of Classification Search** D24/188-189;
602/44-48, 54-62

See application file for complete search history.

(56) **References Cited**

U.S. PATENT DOCUMENTS

4,649,909	A *	3/1987	Thompson	602/42
5,891,078	A *	4/1999	Turngren et al.	602/58
D458,687	S *	6/2002	Dale et al.	D24/189
D473,947	S *	4/2003	Jacobson	D24/189
D512,509	S *	12/2005	Yamasoto et al.	D24/189
D513,639	S *	1/2006	Saim et al.	D24/189
D515,701	S *	2/2006	Horhota et al.	D24/189
D524,946	S *	7/2006	Shaw et al.	D24/189
D545,440	S *	6/2007	Jensen	D24/189
7,294,751	B2 *	11/2007	Propp et al.	602/54
D600,353	S *	9/2009	Kibele et al.	D24/189
D601,707	S *	10/2009	Chouiller	D24/189
D609,354	S *	2/2010	Arbesman et al.	D24/189

* cited by examiner

Primary Examiner—T. Chase Nelson
Assistant Examiner—Michelle E Wilson

(74) *Attorney, Agent, or Firm*—Coloplast Corp., Coloplast A/S; Danial G. Chapik; Nicholas R. Baumann

(57) **CLAIM**

The ornamental design for a wound dressing, as shown and described.

DESCRIPTION

FIG. 1 is a perspective view of a wound dressing illustrating a superstrate opposite an adhesive layer that is covered by a release liner, with the superstrate having a compressed ring surrounding an elevated portion according to one embodiment;

FIG. 2 is a top side view thereof;

FIG. 3 is a bottom side view thereof;

FIG. 4 is a right side view thereof, where a left side view is not presented as it is a mirror image of the right side view;

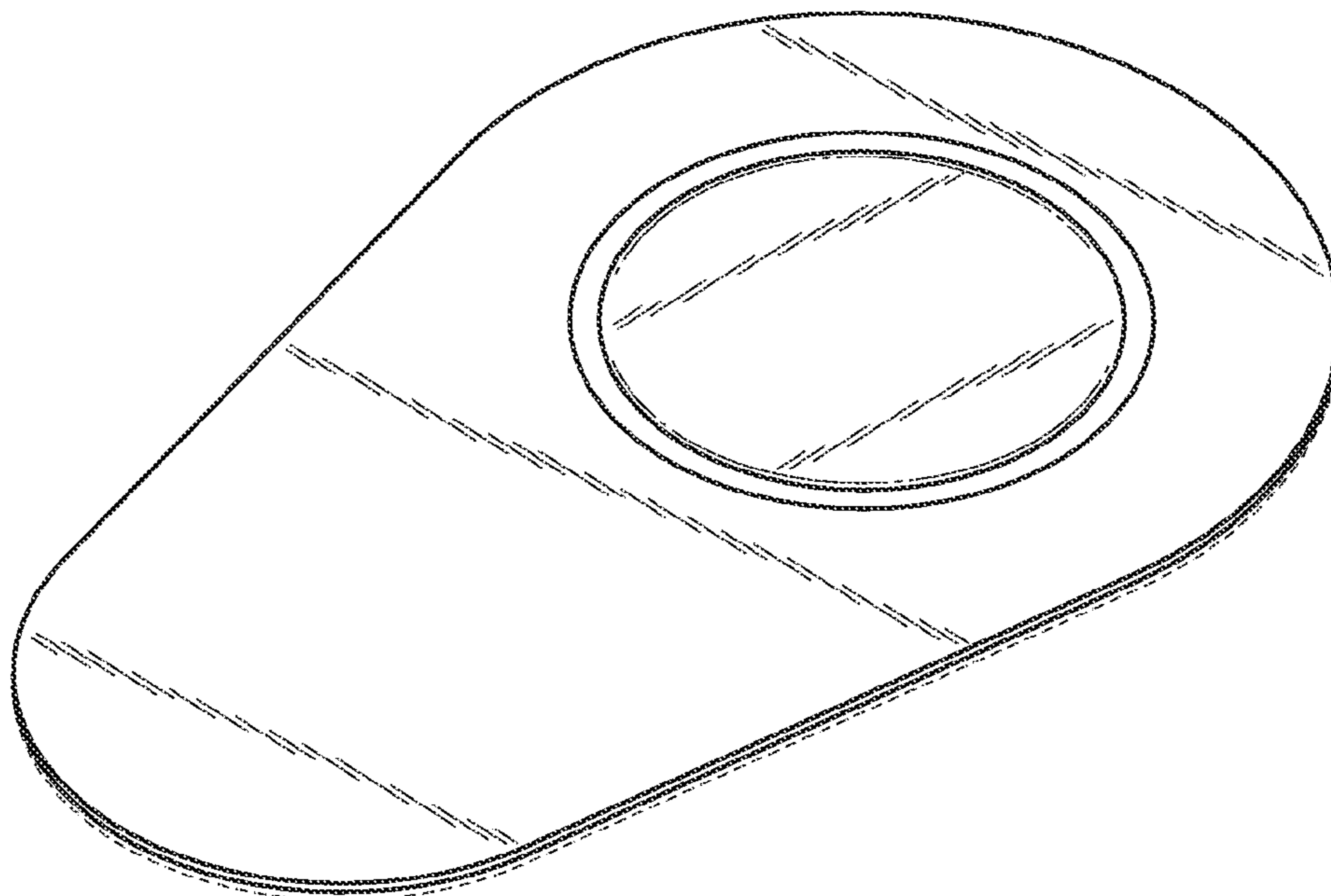
FIG. 5 is a front side view thereof, where a back side view is not presented as it is a mirror image of the front side view;

FIG. 6 is a cross-sectional view taken laterally through the wound dressing and viewed from the front side to illustrate the compressed ring surrounding the elevated portion; and,

FIG. 7 is a partial cross-sectional view of the wound dressing.

In FIG. 1 and FIGS. 3-5 the broken lines illustrating the release liner of the wound dressing are for illustrative purposes only and form no part of the claimed design. The release liner is removed in the view of FIG. 6.

1 Claim, 4 Drawing Sheets



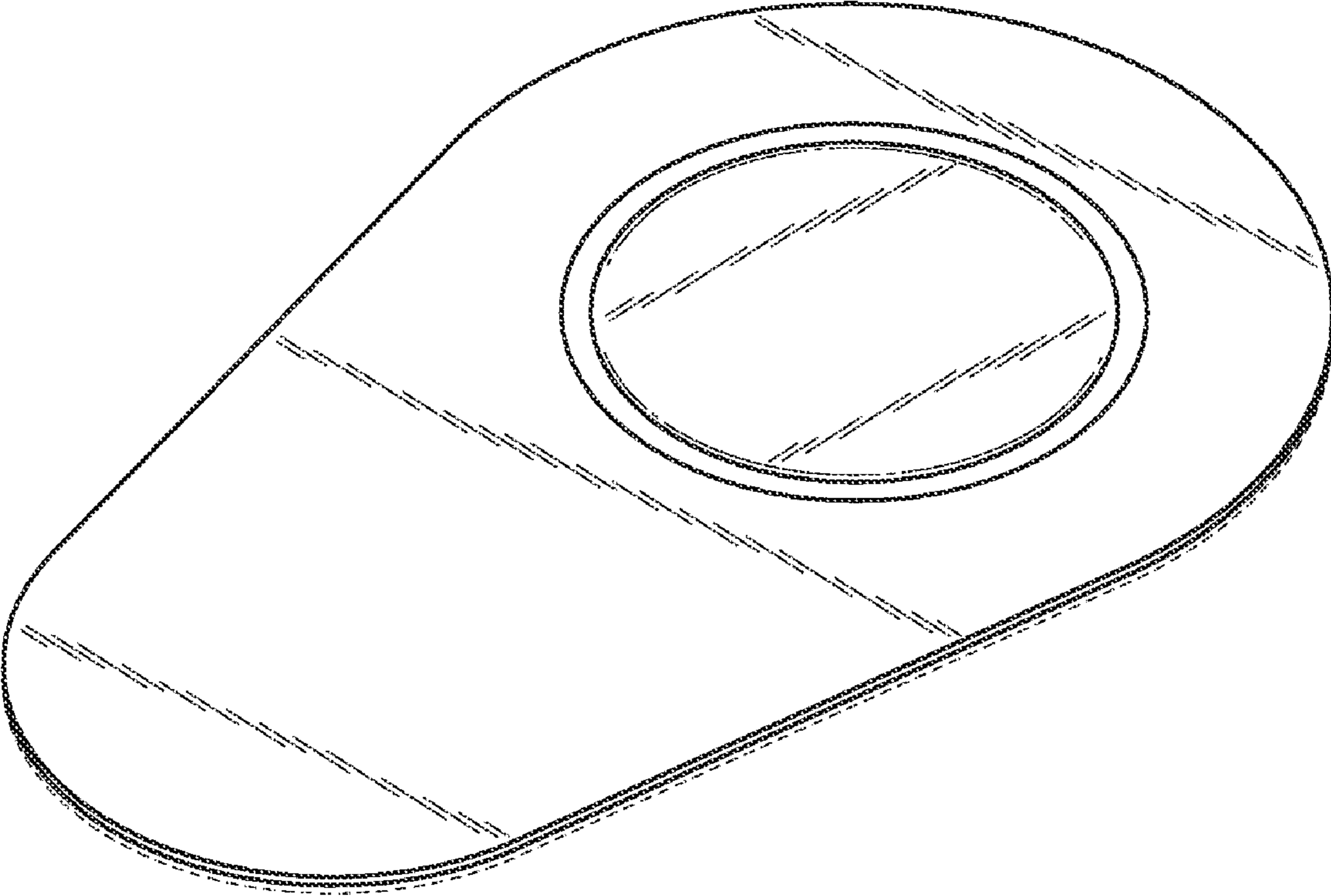


Fig. 1

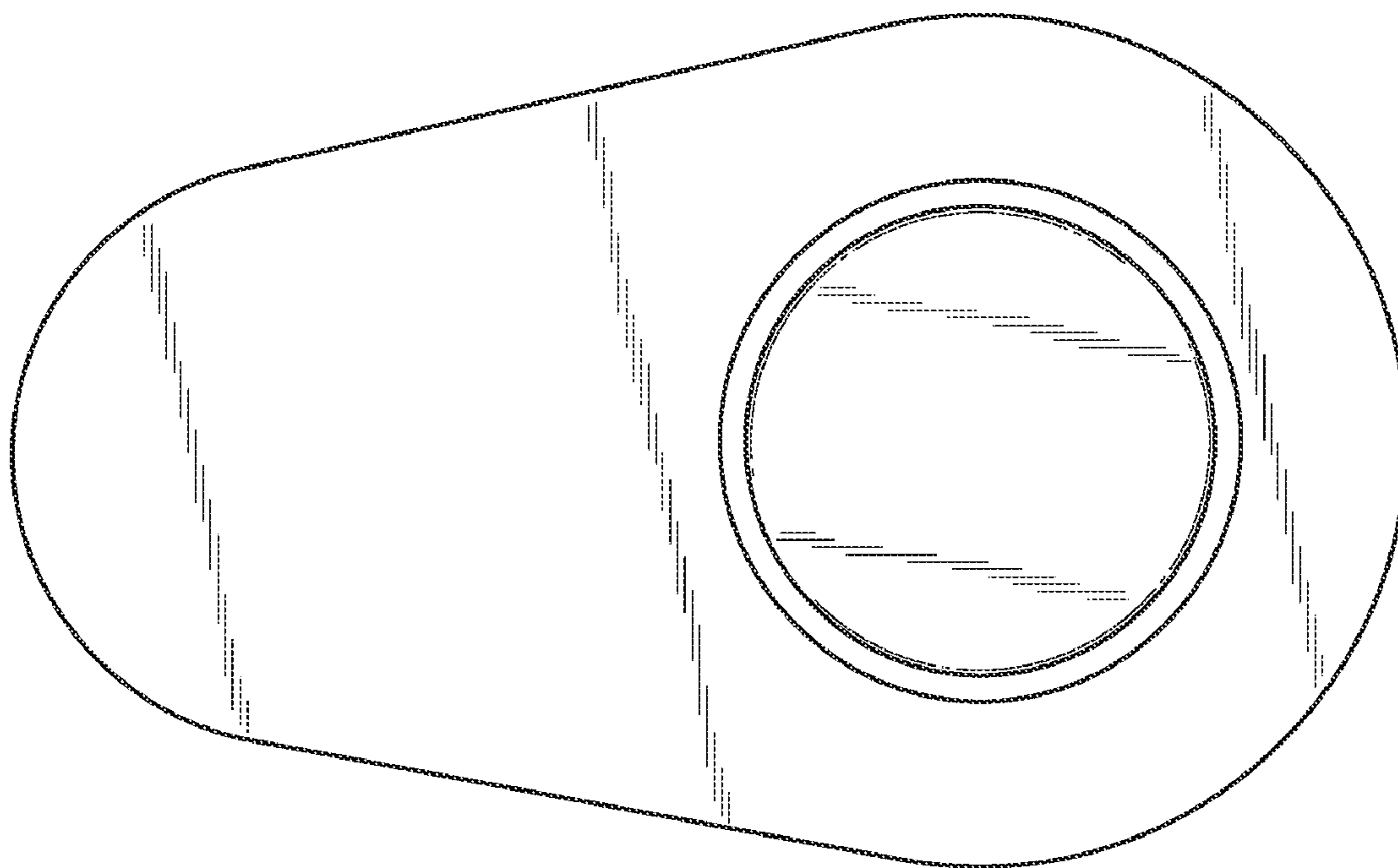


Fig. 2

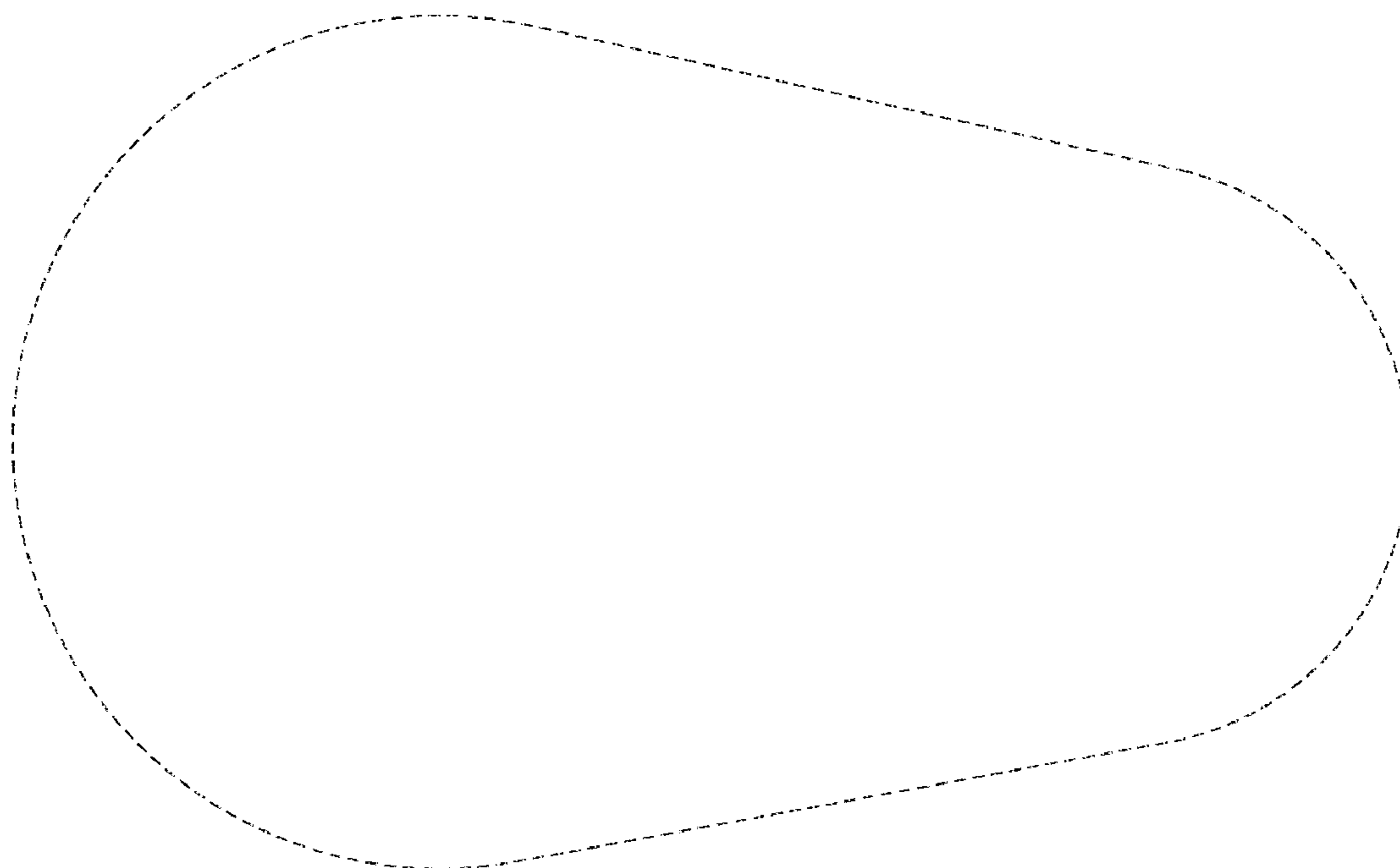


Fig. 3



Fig. 4

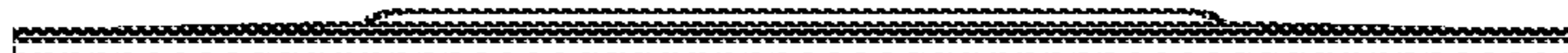


Fig. 5



Fig. 6

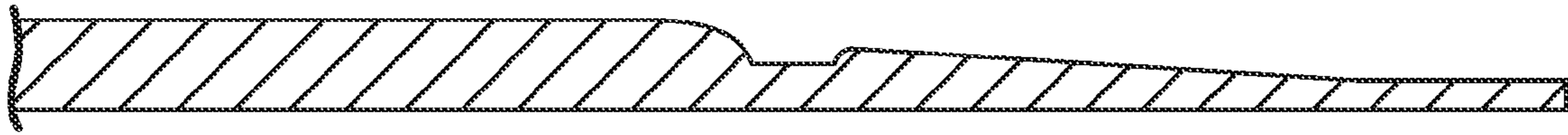


Fig. 7