

US00D620121S

(12) **United States Design Patent**
Moscovita et al.

(10) **Patent No.:** **US D620,121 S**
(45) **Date of Patent:** **** Jul. 20, 2010**

(54) **CART FOR A MEDICAL DEVICE**

2004/0262867 A1* 12/2004 Arceta et al. 280/47.35

(75) Inventors: **Peter A Moscovita**, North Kingstown, RI (US); **Kevin Maloney**, North Kingstown, RI (US)

* cited by examiner

Primary Examiner—Janice E Seeger

Assistant Examiner—Mary Ann Calabrese

(73) Assignee: **Unetixs Vascular, Inc.**, North Kingstown, RI (US)

(74) *Attorney, Agent, or Firm*—Barlow, Josephs & Holmes, Ltd.

(**) Term: **14 Years**

(57) **CLAIM**

(21) Appl. No.: **29/329,676**

The ornamental design for a cart for a medical device, as shown and described.

(22) Filed: **Dec. 19, 2008**

DESCRIPTION

(51) **LOC (9) Cl.** **24-01**

FIG. 1 is a perspective view of a cart for a medical device, showing our new design;

(52) **U.S. Cl.** **D24/185**

FIG. 2 is a front view thereof;

(58) **Field of Classification Search** D24/158,

FIG. 3 is a rear view thereof;

D24/160, 170, 183–186, 231; 280/47.35,

FIG. 4 is a top view thereof;

280/79.11, 79.3, 187.01; D13/163; D34/14,

FIG. 5 is a bottom view thereof;

D34/19, 23; 108/50.01; 312/209

FIG. 6 is a left side view thereof; and,

See application file for complete search history.

FIG. 7 is a right side view thereof.

(56) **References Cited**

In the drawings, the broken lines represent portions of the article that form no part of the claimed design.

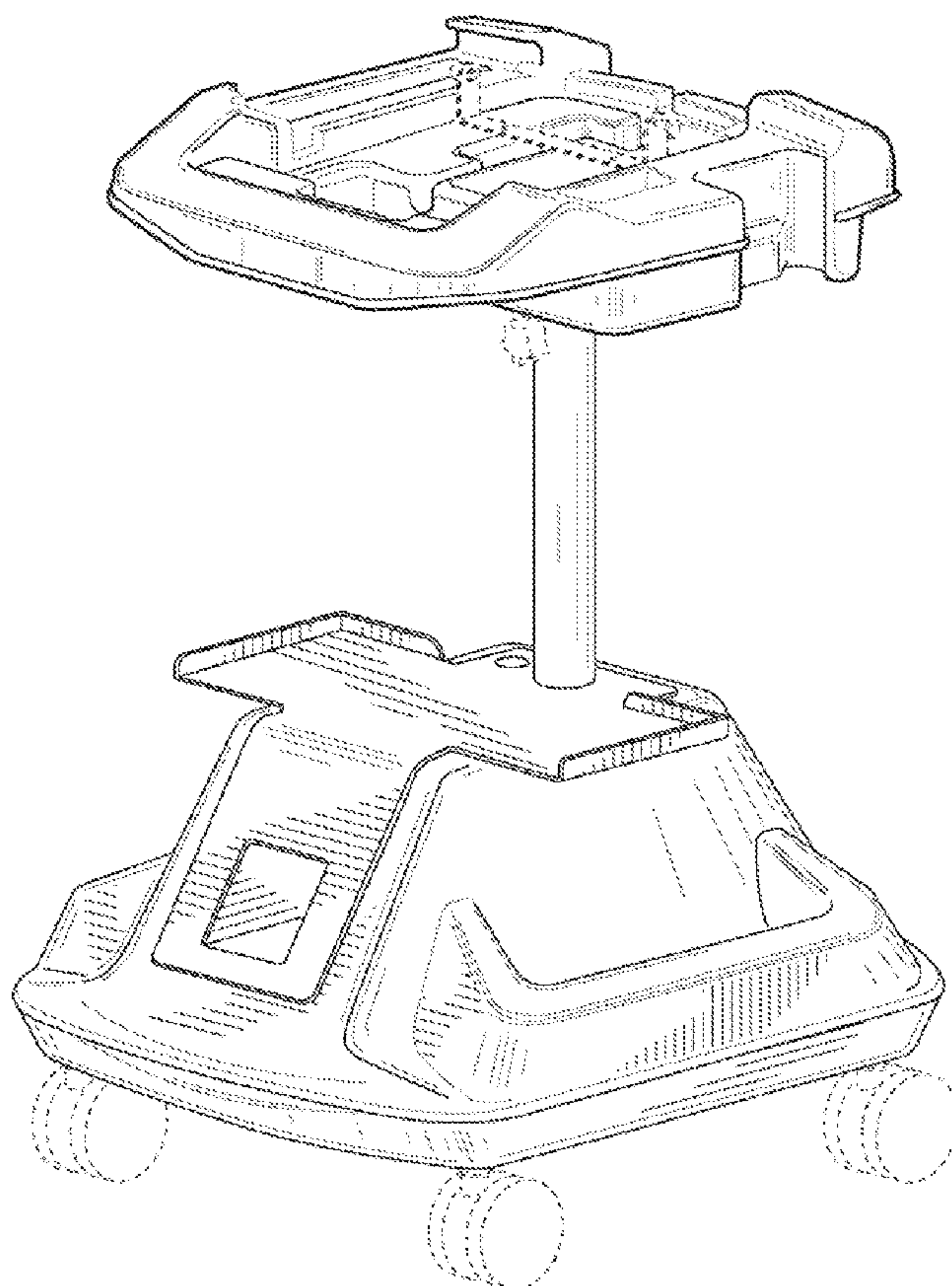
U.S. PATENT DOCUMENTS

D477,083 S * 7/2003 Bromley D24/170

D503,981 S * 4/2005 Fischer et al. D24/185

D518,267 S * 3/2006 Arceta D34/14

1 Claim, 7 Drawing Sheets



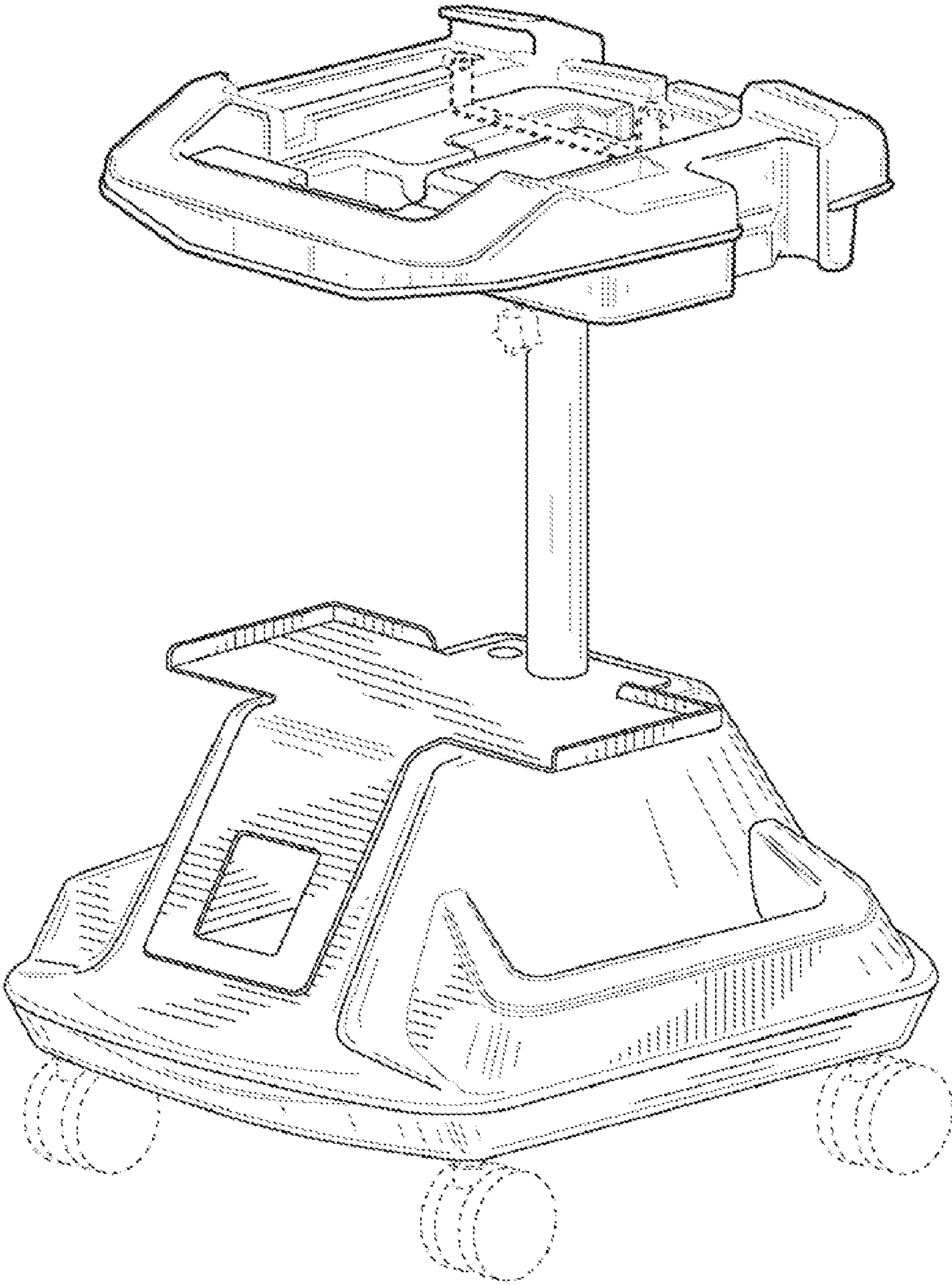


FIG. 1

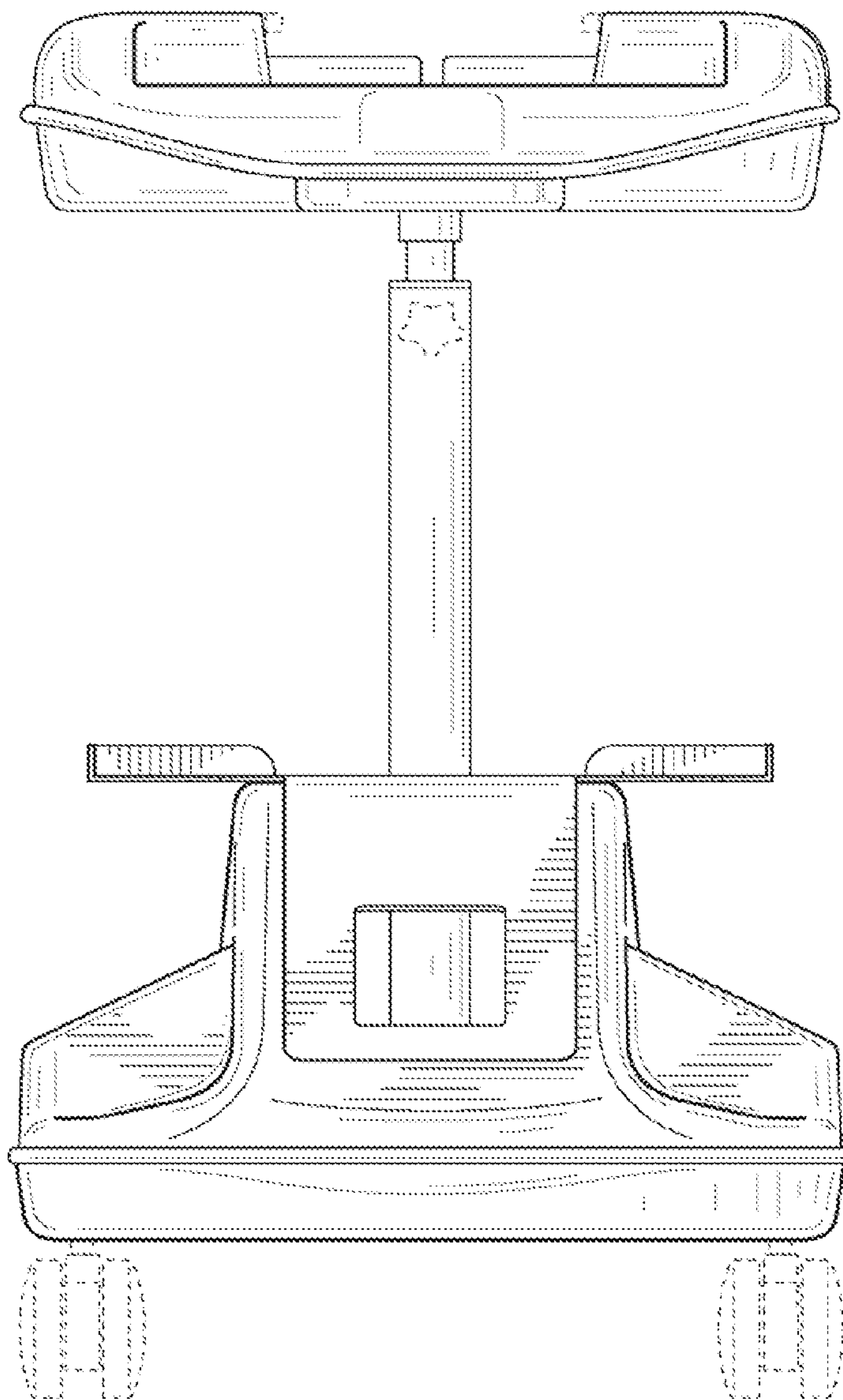


FIG. 2

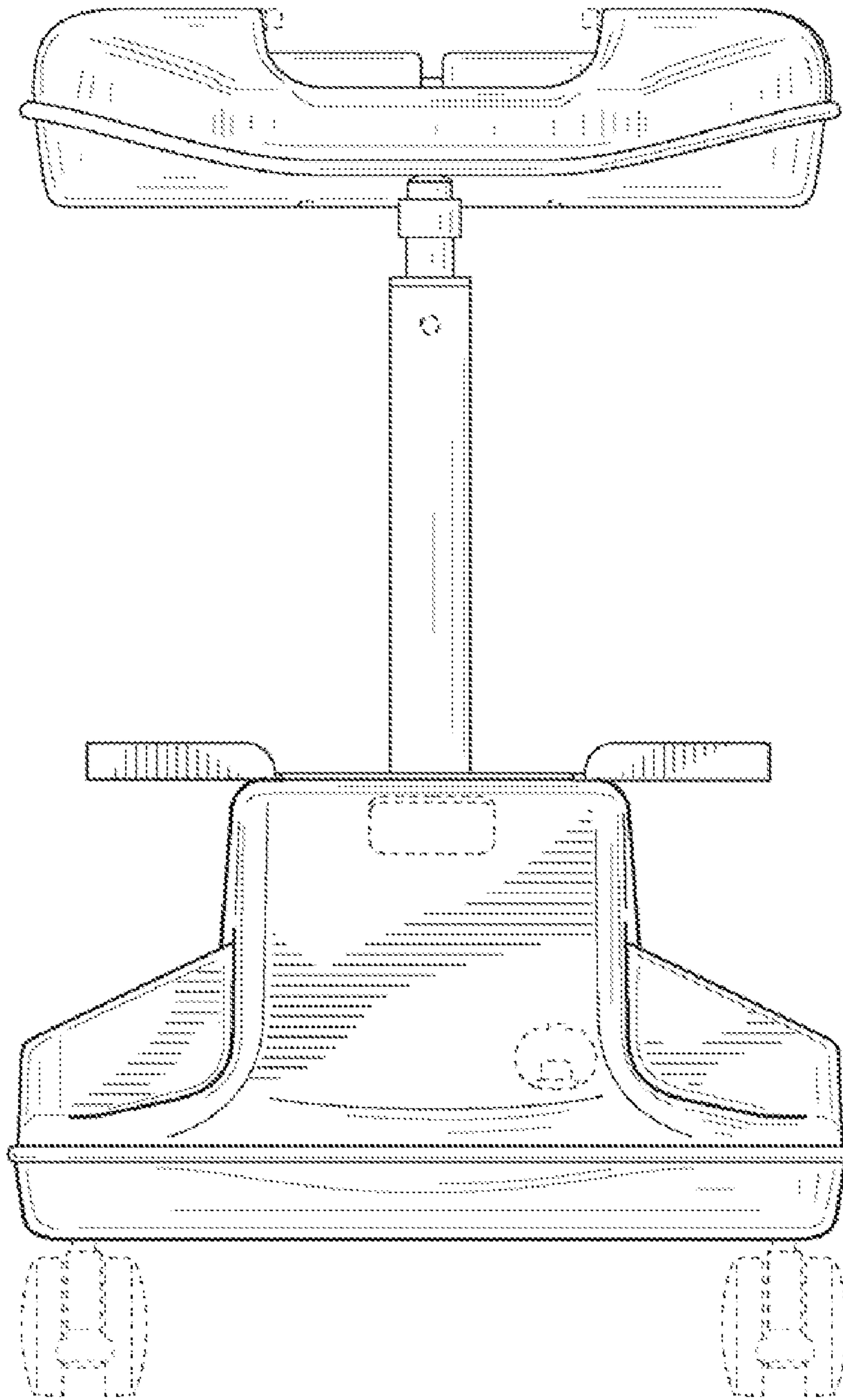


FIG. 3

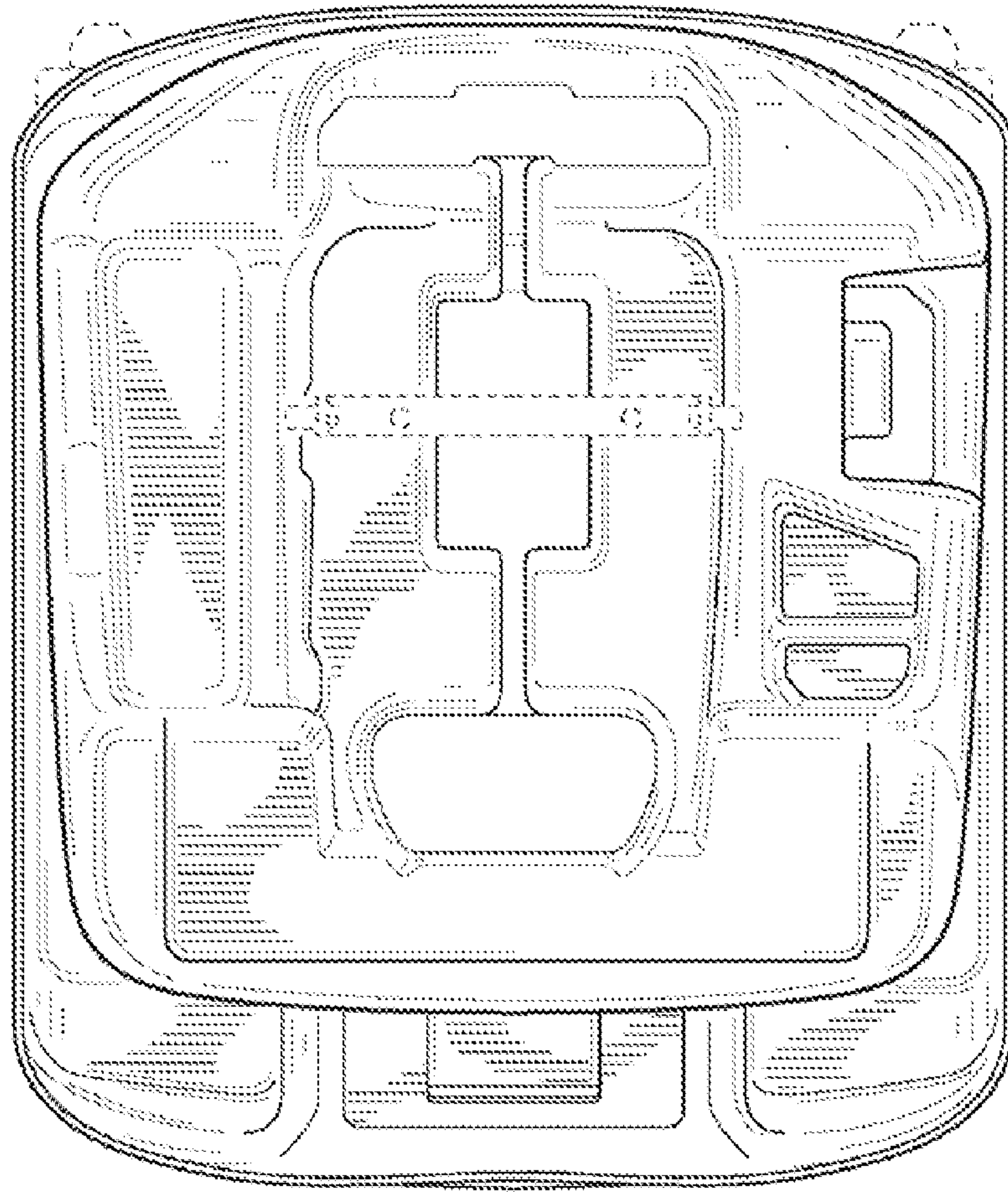


FIG. 4

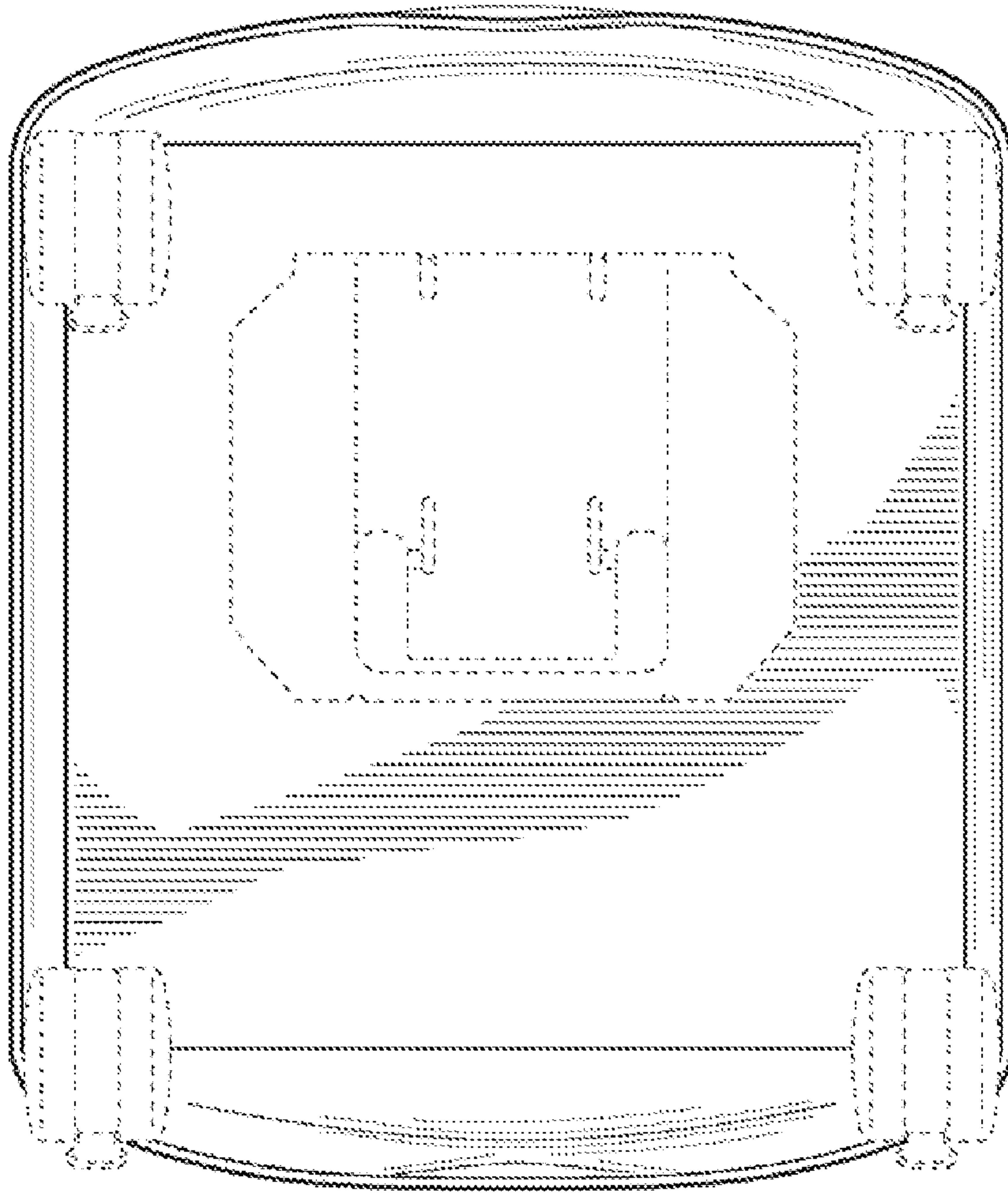


FIG. 5

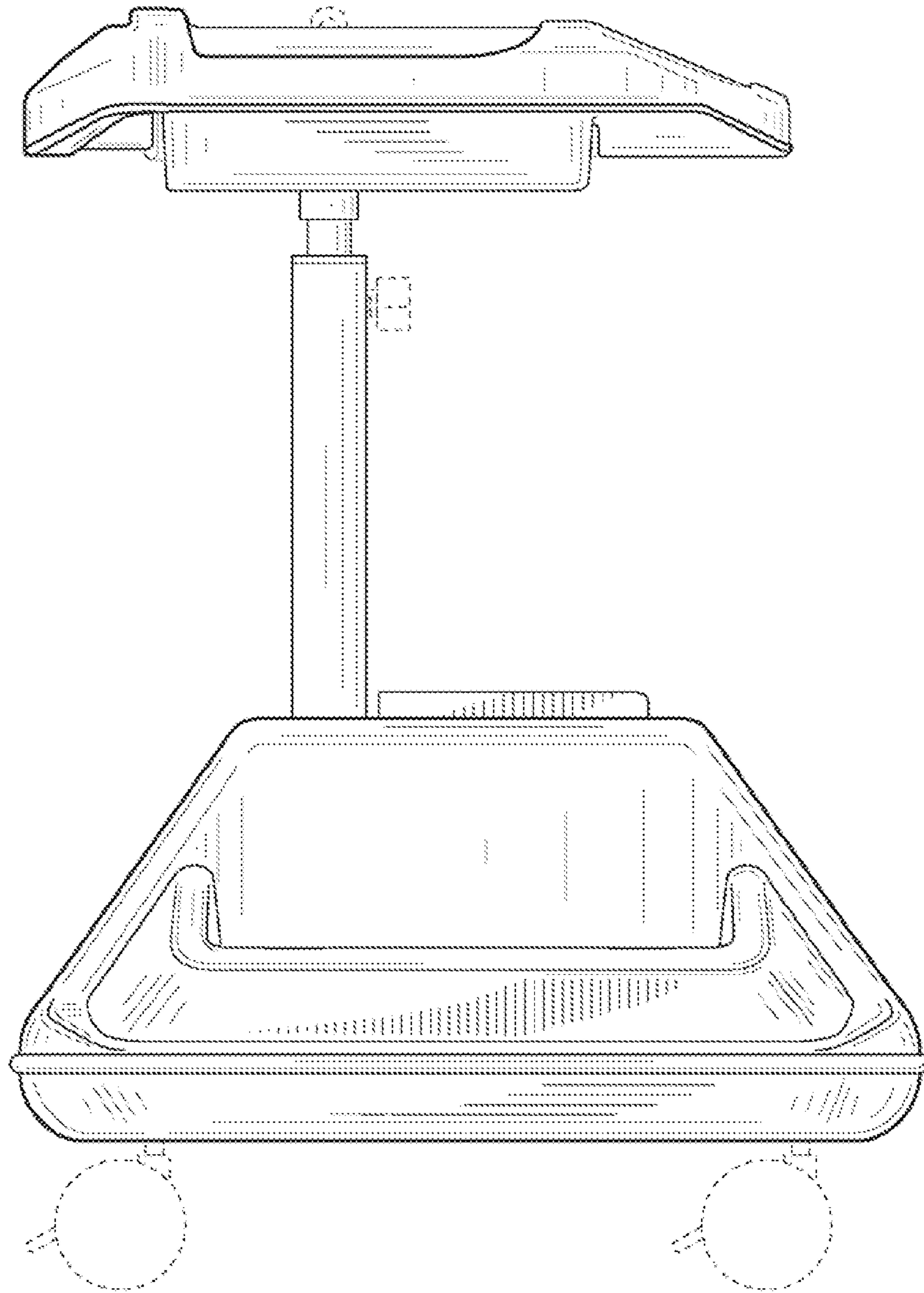


FIG. 6

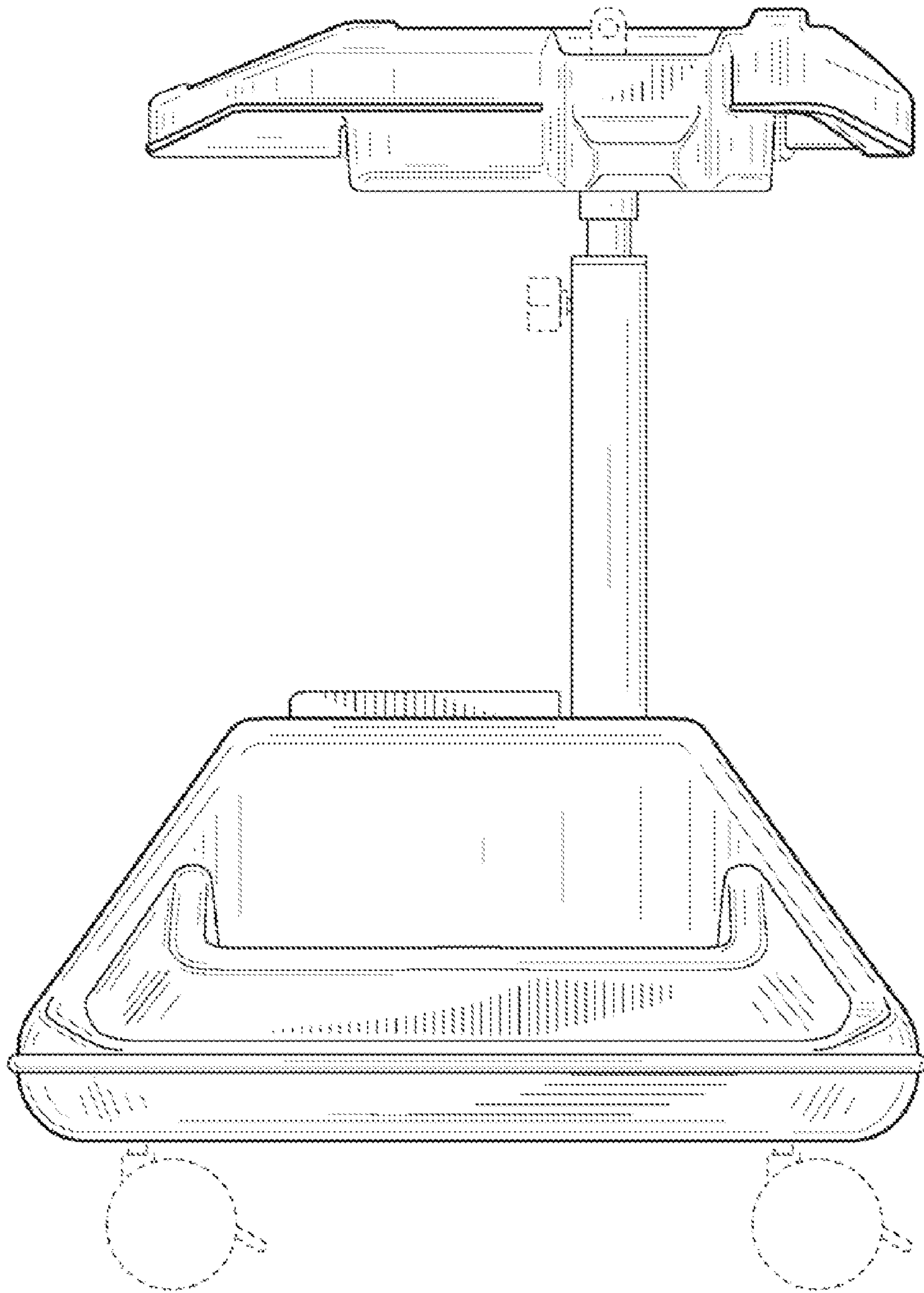


FIG. 7