



US00D620120S

(12) **United States Design Patent**  
**Lambalot**

(10) **Patent No.:** **US D620,120 S**

(45) **Date of Patent:** **\*\* Jul. 20, 2010**

(54) **NORMAL FLOW FILTER READY TO  
PROCESS CART WITH DRUM**

D584,821 S \* 1/2009 Lambalot ..... D24/185  
\* cited by examiner

(75) Inventor: **Charles Lambalot**, Mansfield, MA (US)

*Primary Examiner*—Mary Ann Calabrese  
(74) *Attorney, Agent, or Firm*—Yonggang Ji

(73) Assignee: **GE Healthcare Bioscience Bioprocess Corp.**, Piscataway, NJ (US)

(57) **CLAIM**

(\*\*) Term: **14 Years**

The ornamental design for a normal flow filter ready to process cart with drum, as shown and described.

(21) Appl. No.: **29/299,888**

**DESCRIPTION**

(22) Filed: **Jan. 7, 2008**

FIG. 1 is a perspective view of the normal flow filter ready to process cart with drum showing our new design.

(51) **LOC (9) Cl.** ..... **24-01**

(52) **U.S. Cl.** ..... **D24/185**

FIG. 2 is a front view of the normal flow filter ready to process cart with drum of FIG. 1.

(58) **Field of Classification Search** ..... D24/158,  
D24/160, 167, 170, 183–186, 231; D6/465;  
D13/163; D34/14, 17, 19, 21, 23; 108/50.01,  
108/189; 211/126.15; 280/47.35, 79.3, 79.11,  
280/187.01; 312/209

FIG. 3 is a back view of the normal flow filter ready to process cart with drum of FIG. 1.

See application file for complete search history.

FIG. 4 is a left side view of the normal flow filter ready to process cart with drum of FIG. 1.

(56) **References Cited**

**U.S. PATENT DOCUMENTS**

1,854,777	A *	4/1932	Bales	.....	211/126.15
2,886,186	A *	5/1959	Hamilton	.....	108/189
D189,824	S *	2/1961	Harper	.....	D6/465
D199,670	S *	12/1964	Inglis	.....	D34/21
D275,044	S *	8/1984	Hampshire et al.	.....	D34/21
D301,652	S *	6/1989	Roberts	.....	D34/21
D313,878	S *	1/1991	Rinkewich	.....	D34/21
4,998,023	A *	3/1991	Kitts	.....	280/47.35
D362,528	S *	9/1995	Shannon et al.	.....	D34/21
5,857,685	A *	1/1999	Phillips et al.	.....	280/47.35
D493,593	S *	7/2004	Anderson	.....	D34/14
D561,972	S *	2/2008	Roever	.....	D34/17
D584,413	S *	1/2009	Lambalot	.....	D24/185

FIG. 5 is a right side view of the normal flow filter ready to process cart with drum of FIG. 1.

FIG. 6 is a top plan view of the normal flow filter ready to process cart with drum of FIG. 1; and,

FIG. 7 is a bottom plan view of the normal flow filter ready to process cart with drum of FIG. 1.

Portions of the design shown in broken lines form no part of the claimed design.

The design includes a ready to process fluid transfer cart that has three shelves, which is composed of a stainless steel structure. Two of the three shelves includes holes for drum handling. The front end and the back end of the normal flow filter ready to process cart with drum includes a retractable T-Bar configuration to hang bags or filters to strengthen it in order to satisfy the design requirements for the normal flow filter ready to process cart with drum.

**1 Claim, 4 Drawing Sheets**

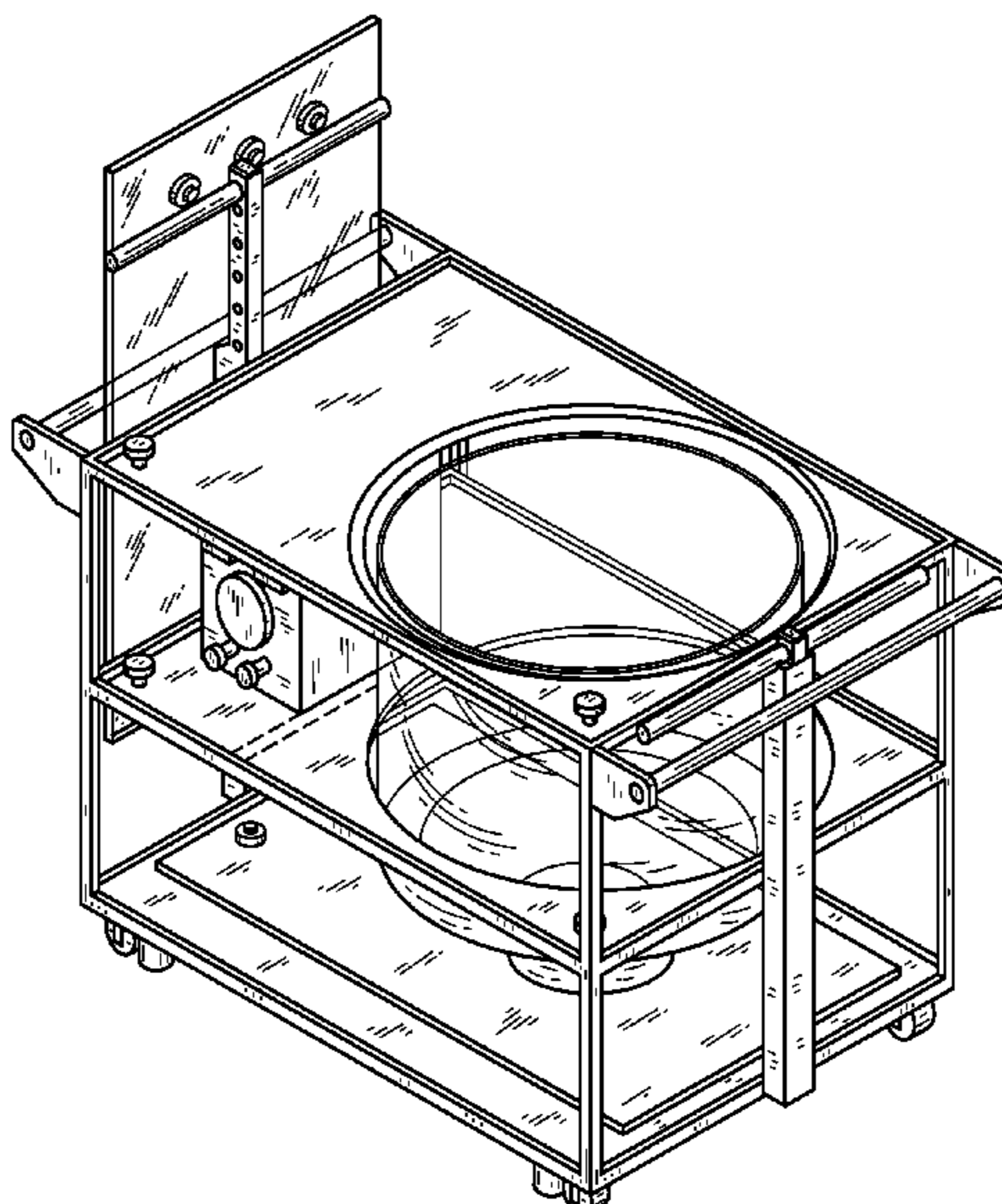


FIG. 1

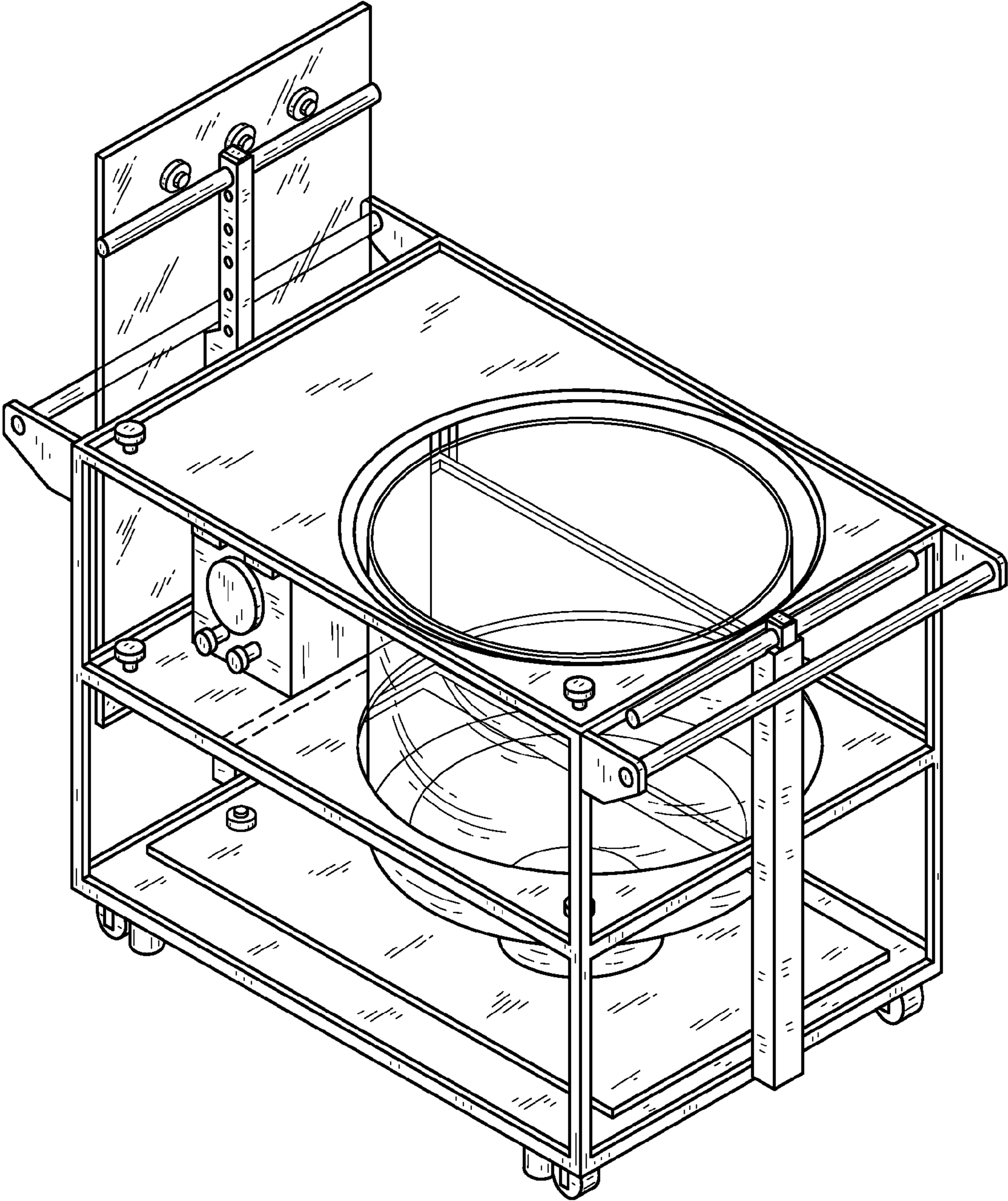


FIG. 2

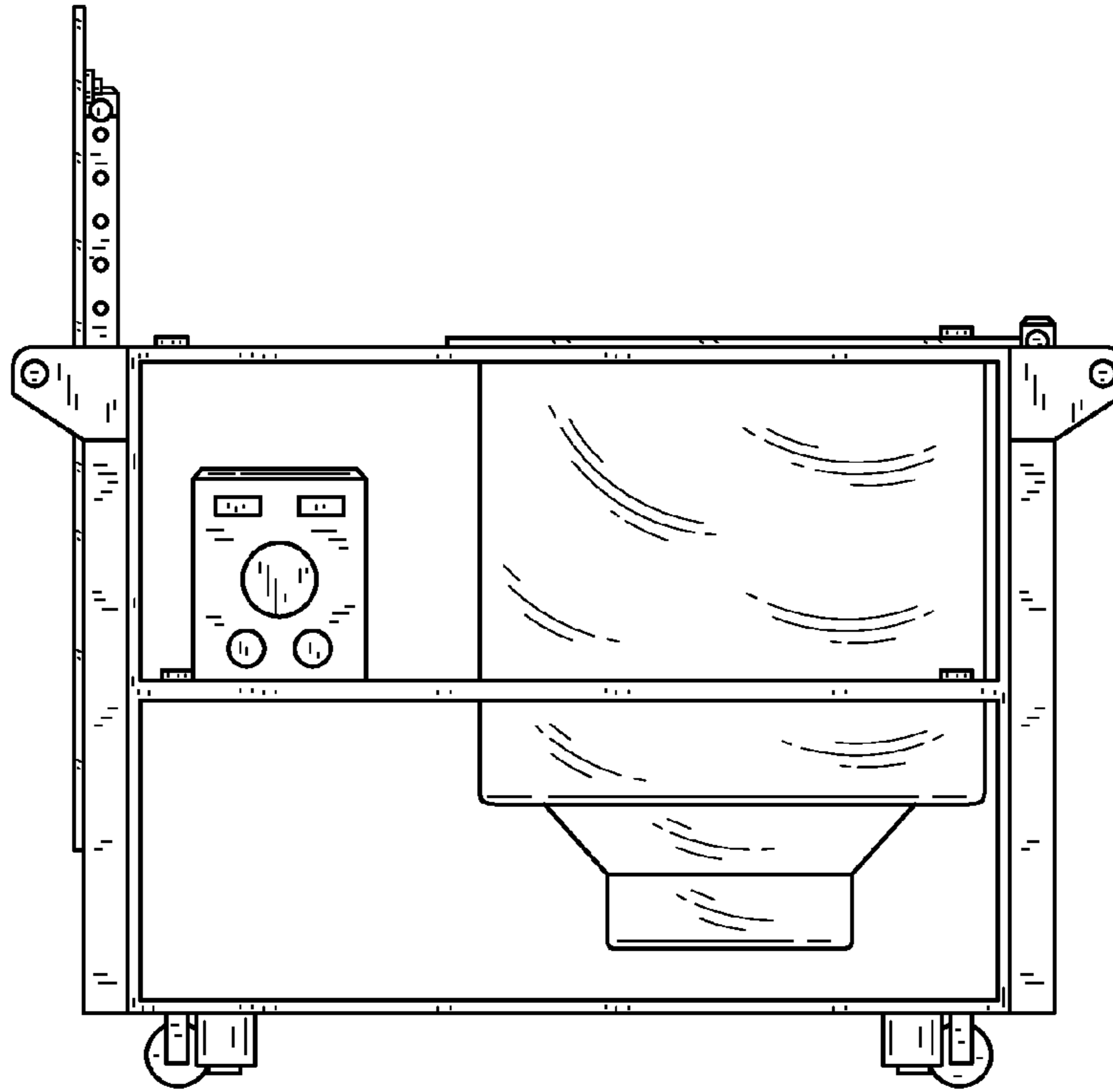


FIG. 3

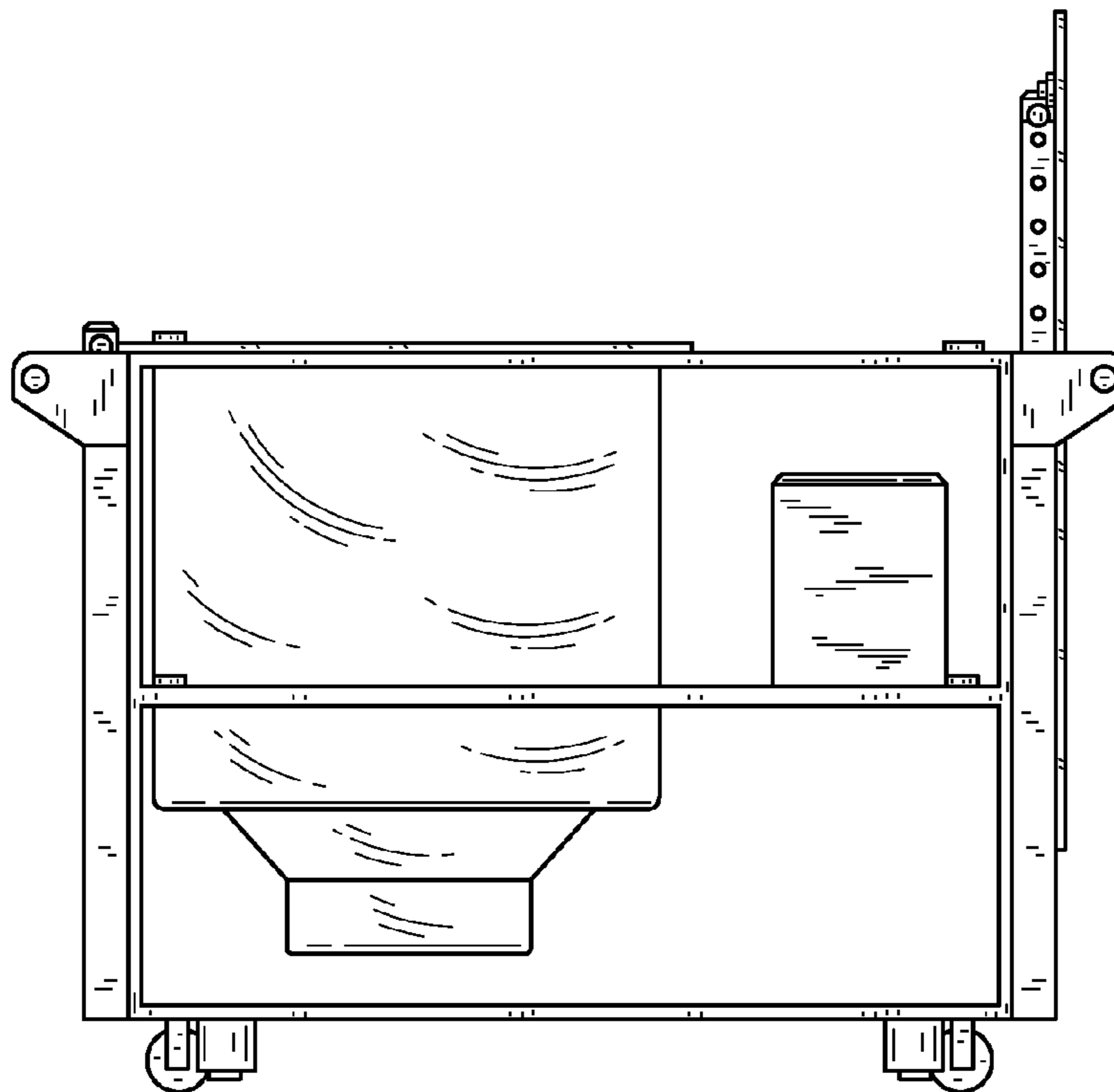


FIG. 4

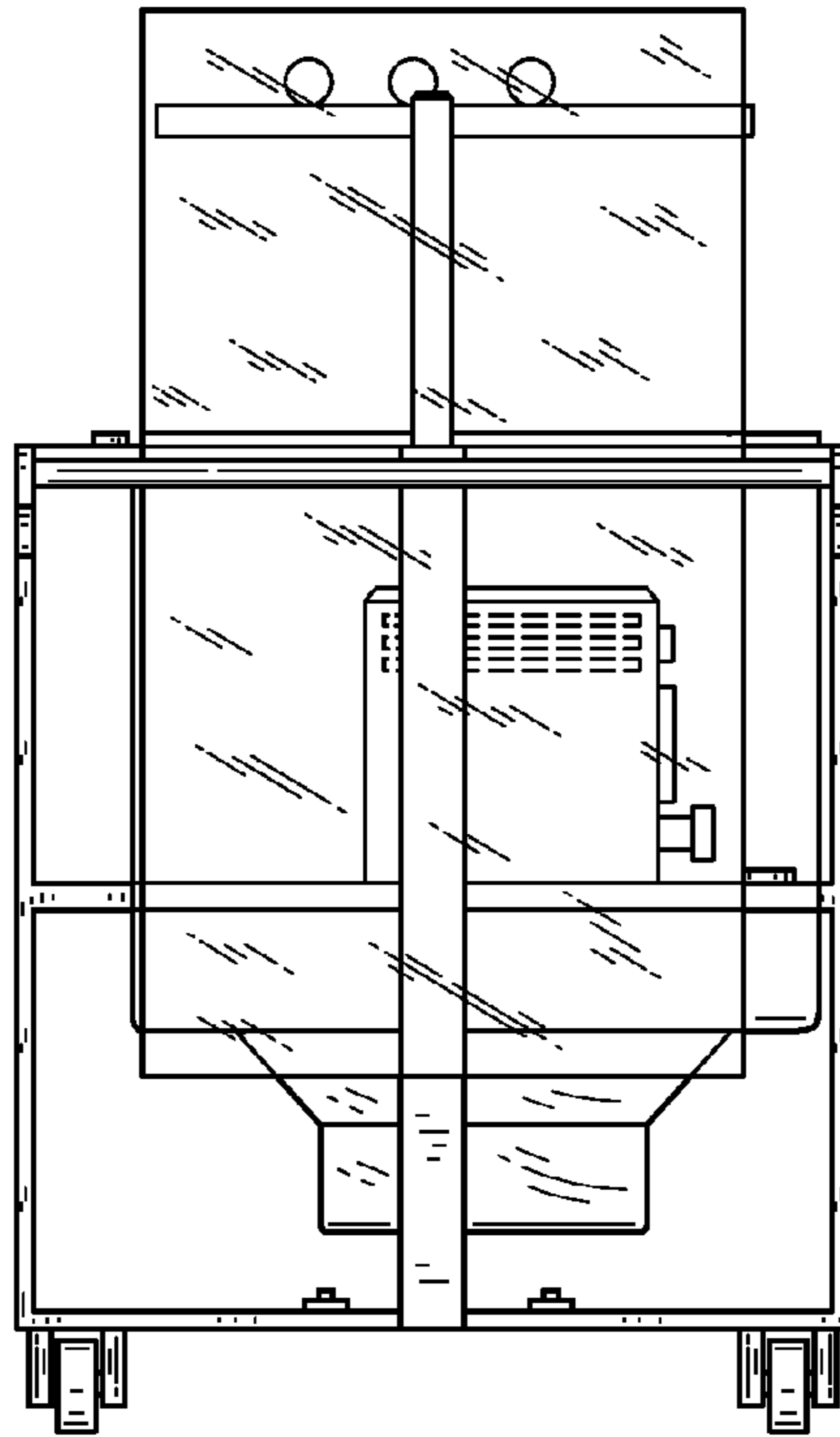


FIG. 5

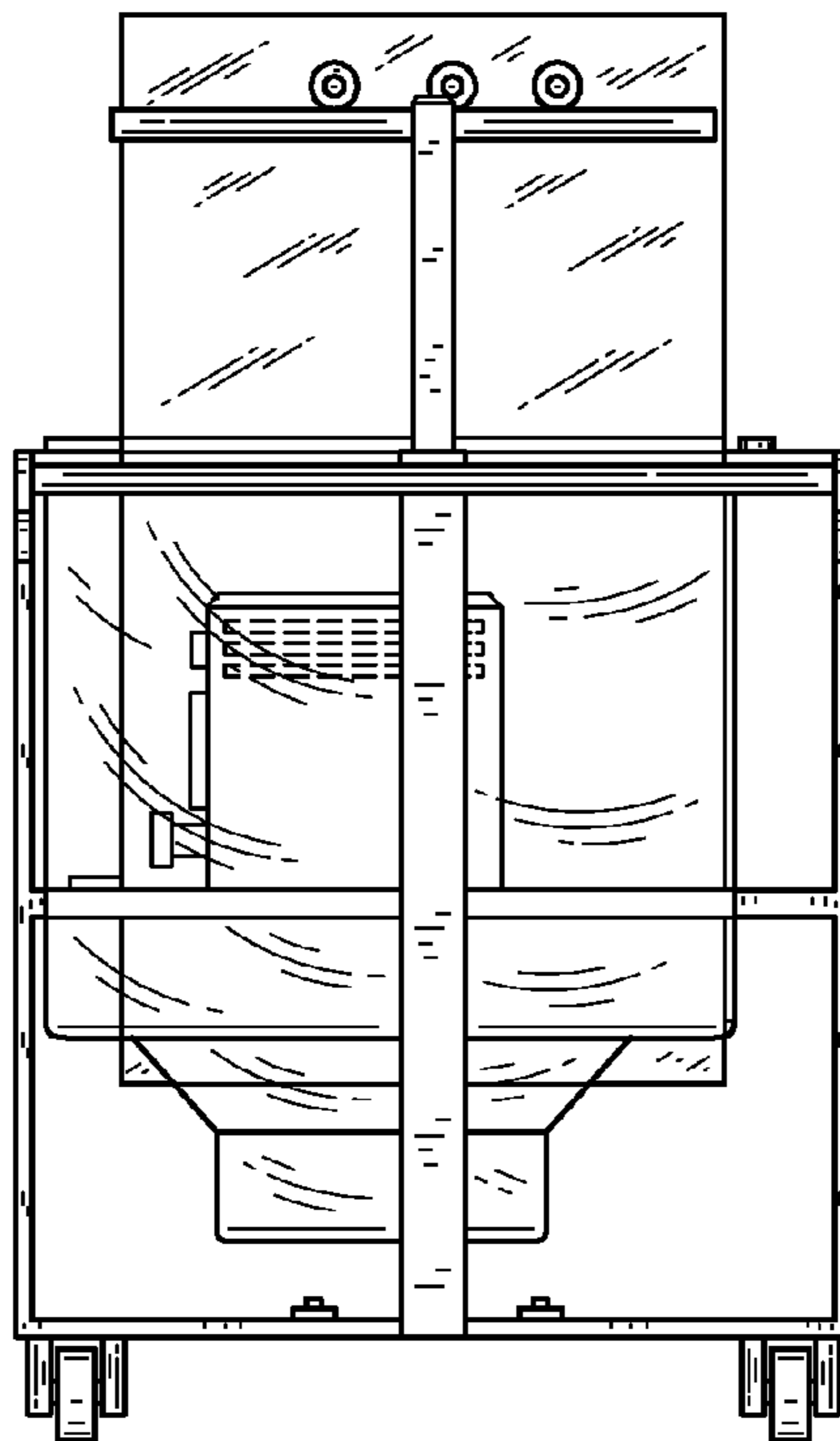




FIG. 6

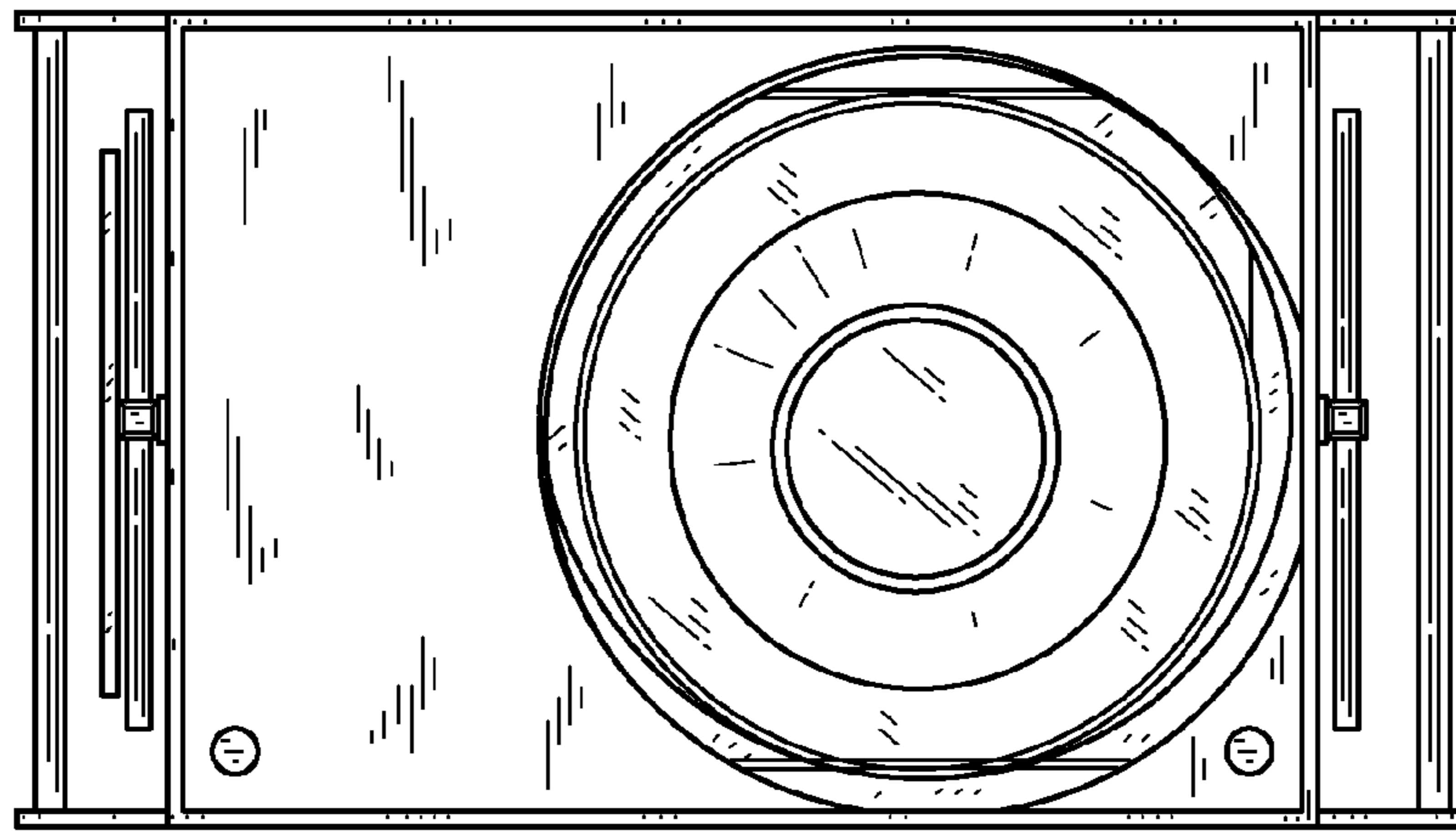


FIG. 7

