



US00D620118S

(12) **United States Design Patent**  
**Cheetham**

(10) **Patent No.:** **US D620,118 S**  
(45) **Date of Patent:** **\*\* Jul. 20, 2010**

- (54) **DENTAL CAPSULE**
- (75) Inventor: **Joshua James Cheetham**, Windsor (AU)
- (73) Assignee: **SDI Limited**, Bayswater (AU)
- (\*\*) Term: **14 Years**
- (21) Appl. No.: **29/336,467**
- (22) Filed: **May 4, 2009**
- (51) **LOC (9) Cl.** ..... **24-02**
- (52) **U.S. Cl.** ..... **D24/176; D9/696**
- (58) **Field of Classification Search** ..... D24/155, D24/156, 180, 176, 220, 221, 112, 113; 433/173, 433/176, 90, 125, 126; 206/219; D9/696  
See application file for complete search history.

- 6,375,460 B1 \* 4/2002 Plaumann ..... 433/80
- 6,585,511 B2 \* 7/2003 Dragan et al. .... 433/90
- D602,591 S \* 10/2009 Cheetham ..... D24/176
- D602,592 S \* 10/2009 Cheetham ..... D24/176
- D602,593 S \* 10/2009 Cheetham ..... D24/176

\* cited by examiner

*Primary Examiner*—Charles A Rademaker  
(74) *Attorney, Agent, or Firm*—William H. Holt

(57) **CLAIM**

The ornamental design for a dental capsule, as shown and described.

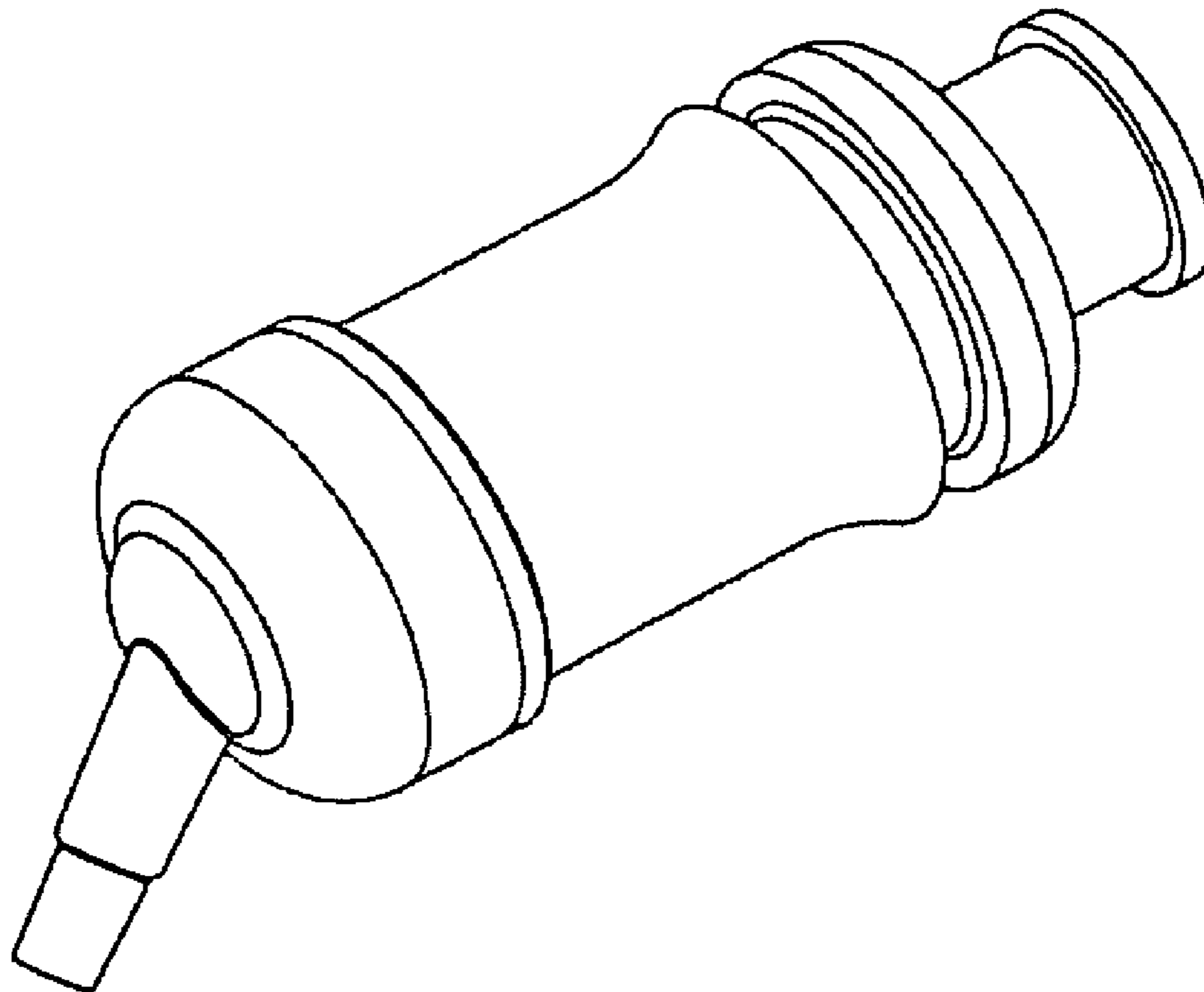
**DESCRIPTION**

FIG. 1 is a perspective view of a dental capsule, showing my new design;  
 FIG. 2 is a side view thereof;  
 FIG. 3 is a bottom view thereof;  
 FIG. 4 is a top view thereof;  
 FIG. 5 is a back view thereof; and,  
 FIG. 6 is a front view thereof.

The broken lines in FIG. 5 represent structure and form no part of the claim.

- (56) **References Cited**
- U.S. PATENT DOCUMENTS
- D259,213 S \* 5/1981 Pagels ..... D9/696
- 5,172,807 A \* 12/1992 Dragan et al. .... 206/219
- D334,803 S \* 4/1993 Discko, Jr. .... D24/112
- 5,871,355 A \* 2/1999 Dragan et al. .... 433/90
- D428,653 S \* 7/2000 Bergstrom et al. .... D24/156
- 6,135,771 A \* 10/2000 Dragan et al. .... 433/90
- D452,311 S \* 12/2001 Guala ..... D24/112

**1 Claim, 2 Drawing Sheets**



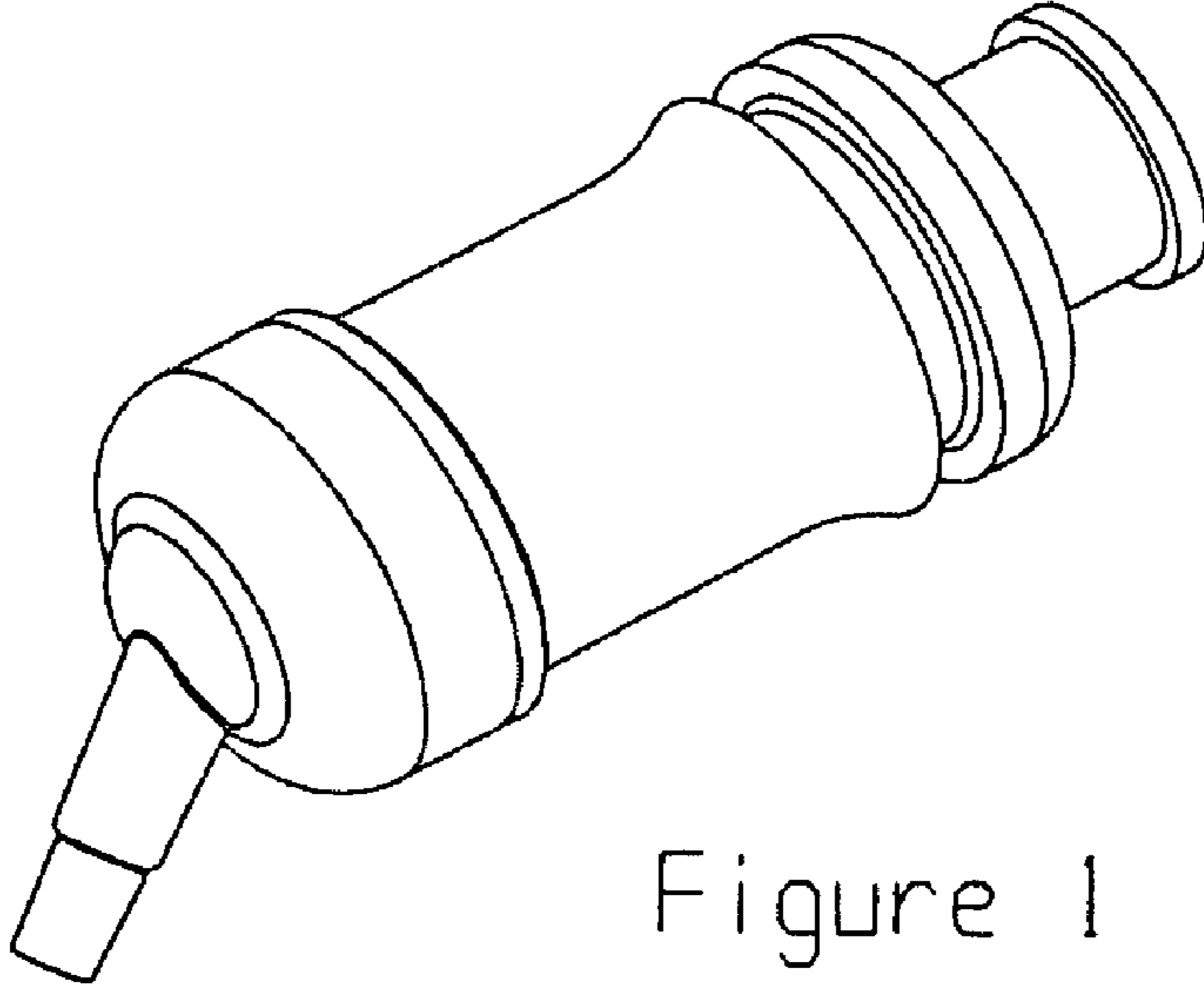


Figure 1

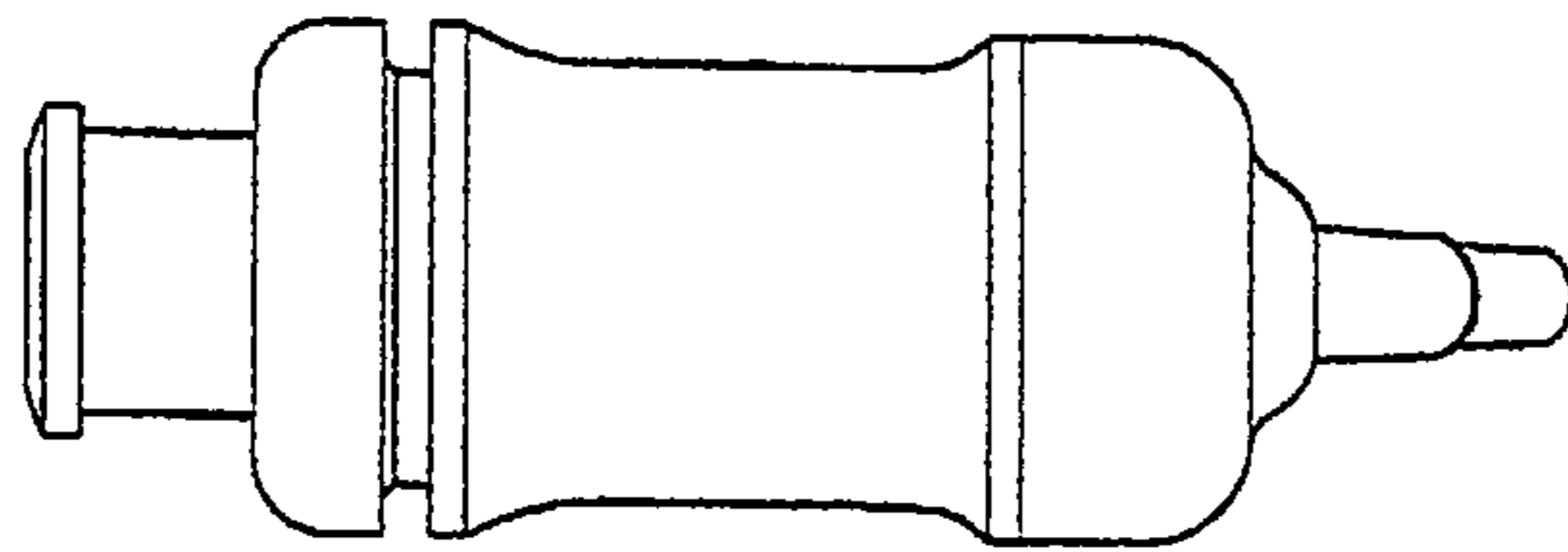


Figure 4

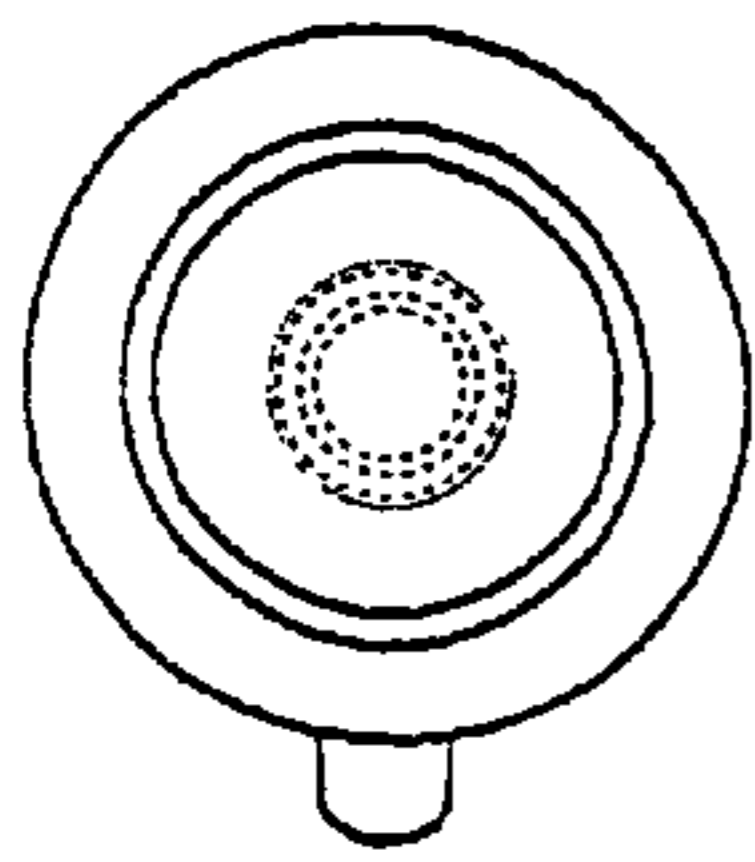


Figure 5

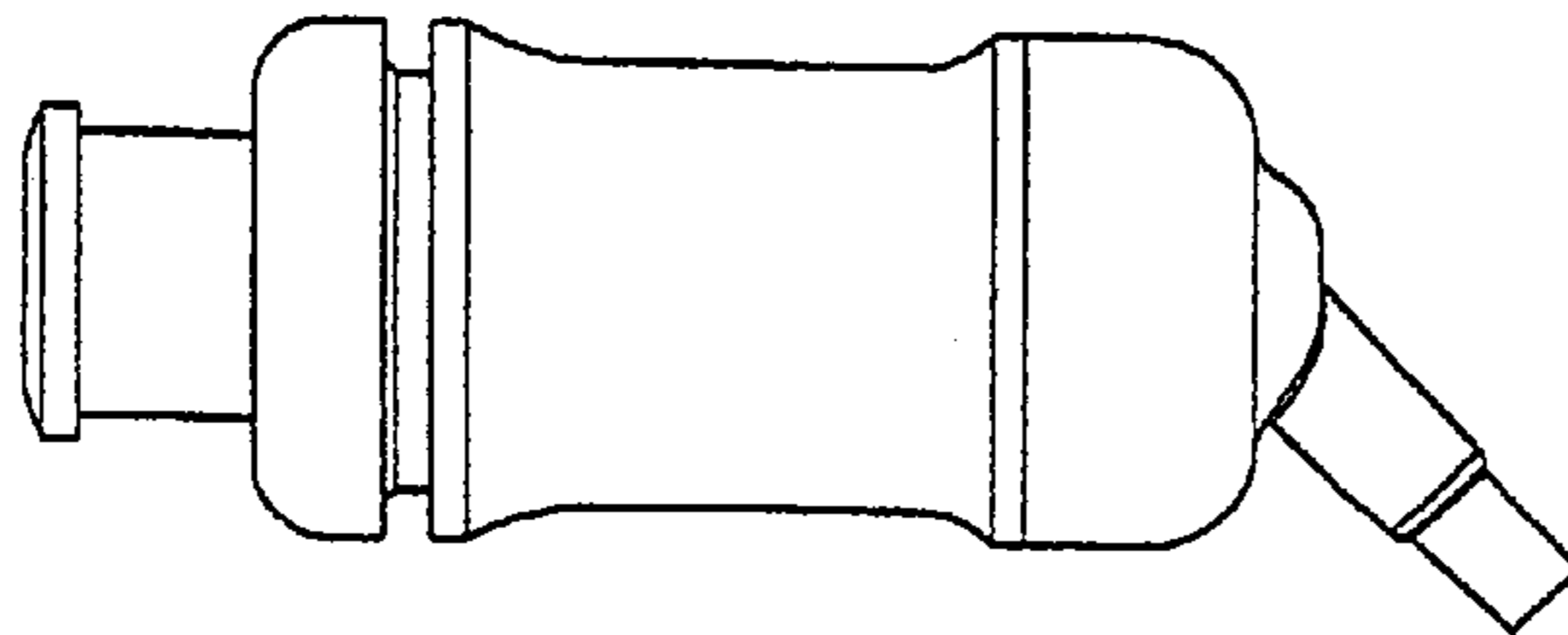


Figure 2

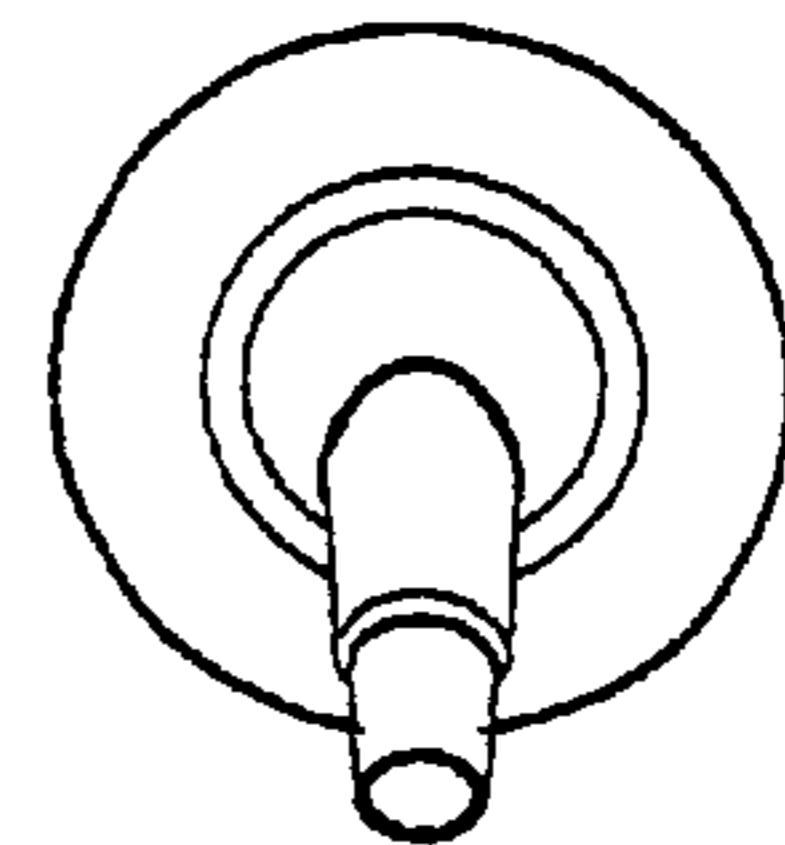


Figure 6

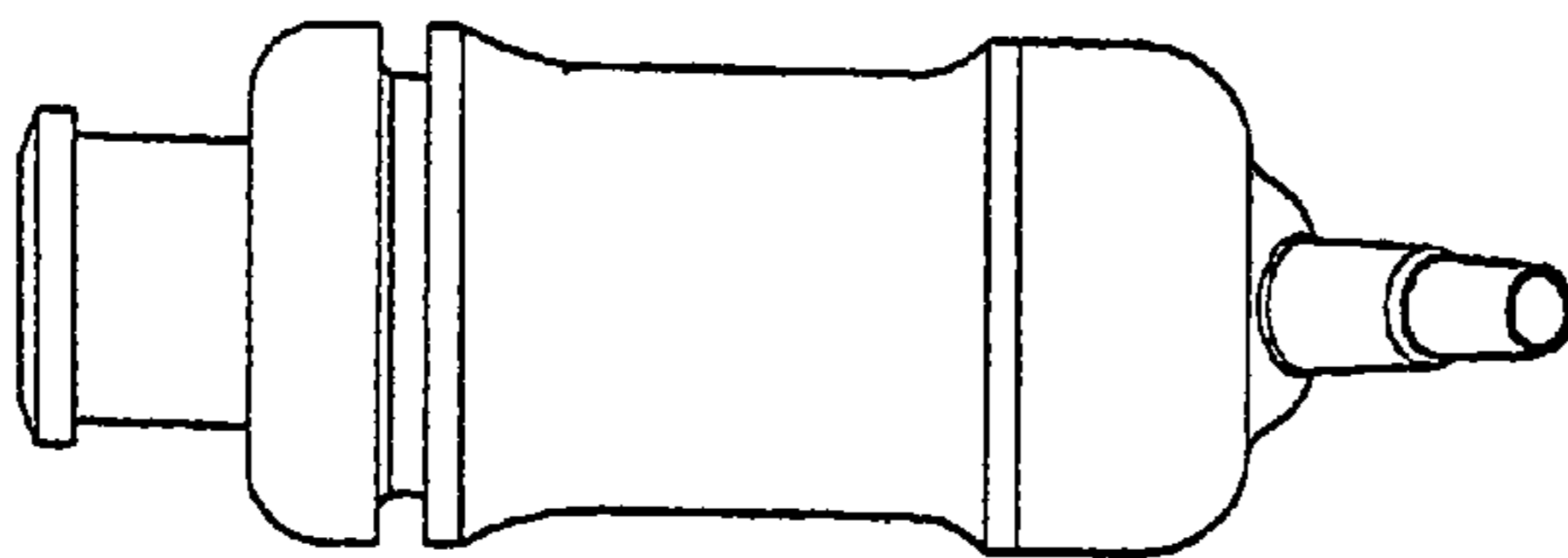


Figure 3