



US00D620117S

(12) **United States Design Patent**
Dawson et al.

(10) **Patent No.:** **US D620,117 S**
(45) **Date of Patent:** **** *Jul. 20, 2010**

(54) **DENTAL IMPLANT ANALOG SLEEVE**
(75) Inventors: **Roger K. Dawson**, Excelsior, MN (US);
Ryan E. Johnson, St. Paul, MN (US)
(73) Assignee: **3M Innovative Properties Company**,
St. Paul, MN (US)

D601,703 S 10/2009 Kahdemann
D604,413 S 11/2009 Ikeya et al.
D604,851 S * 11/2009 Ishikawa D24/156
7,618,258 B2 * 11/2009 Gogarnoiu 433/173
7,632,096 B2 * 12/2009 Gittleman 433/173

(**) Term: **14 Years**

(Continued)

(21) Appl. No.: **29/343,534**

FOREIGN PATENT DOCUMENTS

(22) Filed: **Sep. 15, 2009**

WO WO 2008/131159 10/2008

(51) **LOC (9) Cl.** **24-03**
(52) **U.S. Cl.** **D24/156**
(58) **Field of Classification Search** D24/155,
D24/156, 180, 176; 433/173, 176, 125, 126;
606/304, 74, 72

(Continued)

See application file for complete search history.

OTHER PUBLICATIONS

Lava™ Zirconia for Implant Abutments, 3M ESPE 2009, 4 pages.

(56) **References Cited**

(Continued)

U.S. PATENT DOCUMENTS

Primary Examiner—Charles A Rademaker
(74) *Attorney, Agent, or Firm*—Carolyn A. Fischer

3,066,112 A 11/1962 Bowen
4,424,037 A * 1/1984 Ogino et al. 433/173
D317,200 S 5/1991 Jorneus
5,145,372 A 9/1992 Daftary et al.
D353,674 S 12/1994 Jorneus
5,454,716 A 10/1995 Banerjee et al.
5,513,989 A 5/1996 Crisio
5,762,499 A * 6/1998 Dard et al. 433/173
5,788,494 A 8/1998 Phimmasone
6,034,152 A 3/2000 Burger et al.
6,068,479 A 5/2000 Kwan
D428,653 S 7/2000 Bergstrom et al.
6,126,445 A 10/2000 Willoughby
6,135,773 A 10/2000 Lazzara
D470,939 S * 2/2003 Daftary D24/156
6,733,292 B2 * 5/2004 Odrich et al. 433/173
6,951,461 B2 * 10/2005 Odrich et al. 433/173
7,008,229 B2 3/2006 Stoller et al.
7,179,089 B2 2/2007 Sims et al.
D587,371 S 2/2009 Purga et al.
D587,373 S 2/2009 Purga et al.
D588,699 S * 3/2009 Aldecoa D24/156
D588,700 S * 3/2009 Anitua Aldecoa D24/156

(57) **CLAIM**

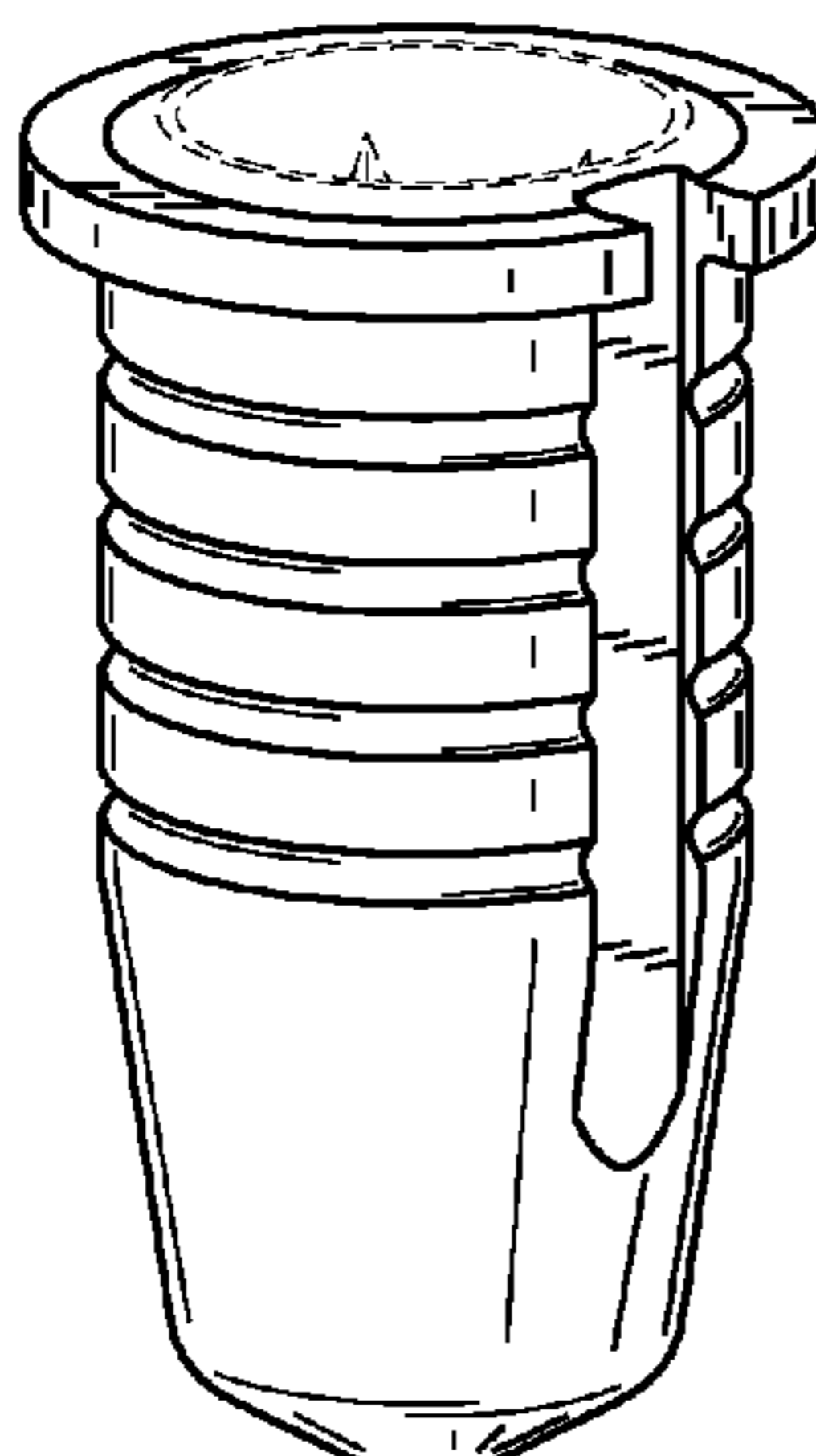
The ornamental design for a dental implant analog sleeve, as shown and described.

DESCRIPTION

FIG. 1 is a perspective view of a new design for a dental implant analog sleeve;
FIG. 2 is a right side view and left side view thereof;
FIG. 3 is a front view thereof; and
FIG. 4 is a rear view thereof.
FIG. 5 is a top view thereof; and,
FIG. 6 is a bottom view thereof.

The broken lines shown in the drawings are included for the purpose of illustrating structural environment and form no part of the claimed design.

1 Claim, 1 Drawing Sheet



U.S. PATENT DOCUMENTS

2003/0114553 A1 6/2003 Karim et al.
2004/0155975 A1 8/2004 Hart et al.
2006/0019219 A1 1/2006 Saliger et al.
2007/0103460 A1 5/2007 Zhang et al.
2007/0224576 A1 9/2007 Ihde et al.
2008/0015727 A1 1/2008 Dunne et al.
2008/0153067 A1 6/2008 Berckmans et al.
2008/0233537 A1 9/2008 Amber et al.
2009/0092943 A1 4/2009 Tamir

FOREIGN PATENT DOCUMENTS

WO WO 2009/089125 7/2009

OTHER PUBLICATIONS

Cementation and Sterilization Guidelines for Labs and Dentists; Lava™ Zirconia for Implant Abutments; Cementation and Sterilization Made Easy, 3M ESPE 2008, 8 pages.
Sinfony™ Light-Curing Composite for the Fabrication of Crowns, Bridges, Inlays and Onlays; 3M ESPE Aug. 2006, pp. 1-11.
Sinfony™ Indirect Lab Composite Ordering Information, New User System and Kit and Master System and Kit, 3M ESPE © 1999-2002, 2 pages.
Straumann; Cares Customized Implant Prosthetics with Straumann® CARES (Computer Aided REstoration Service) Nov. 2005.
Hiossen Implant System, 8 pgs., undated.
U.S. Appl. No. 61/242,546, filed Sep. 15, 2009.
U.S. Appl. No. 61/242,543, filed Sep. 15, 2009.
U.S. Appl. No. 29/343,537, filed Sep. 15, 2009.

* cited by examiner

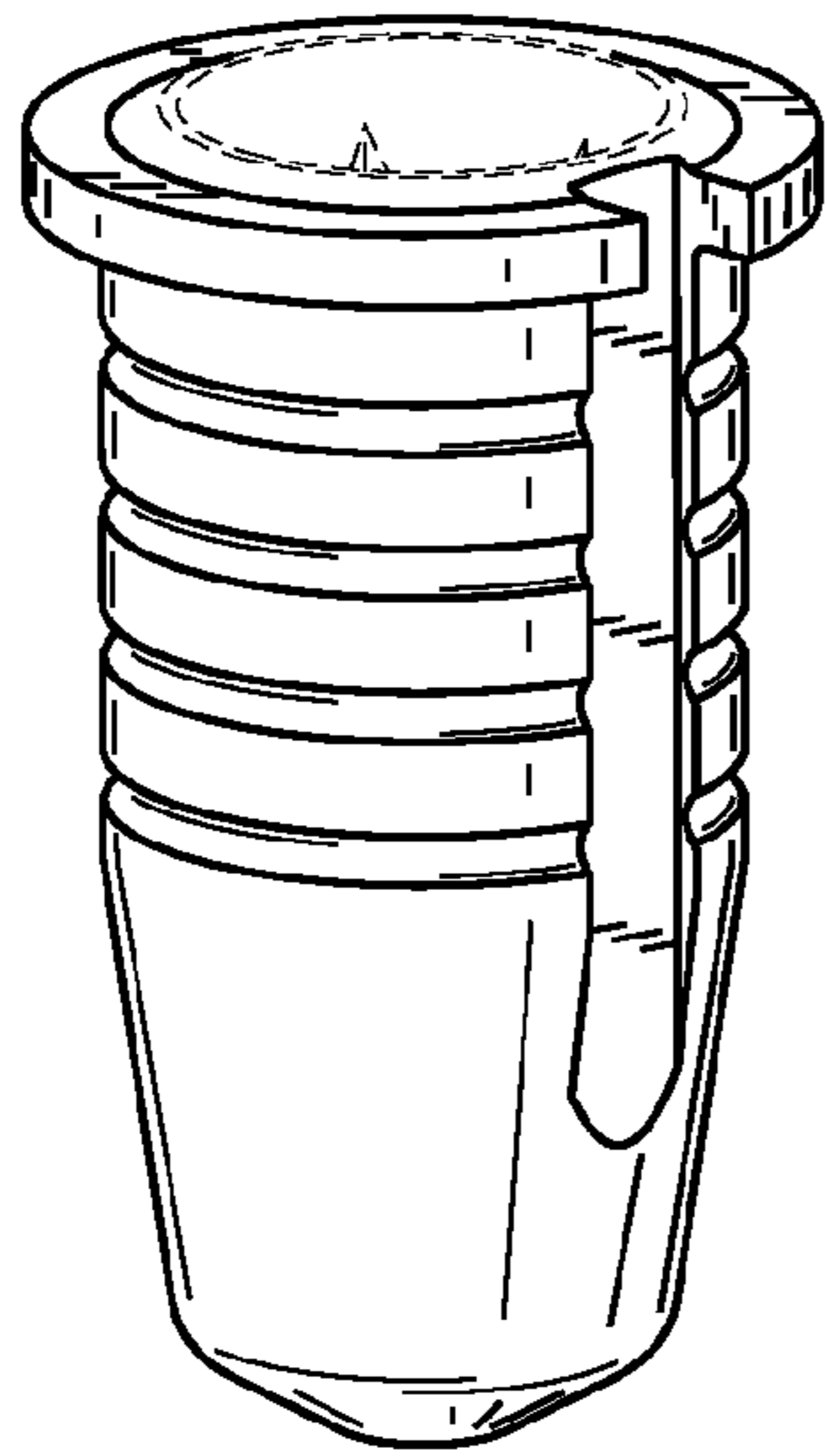


Fig. 1

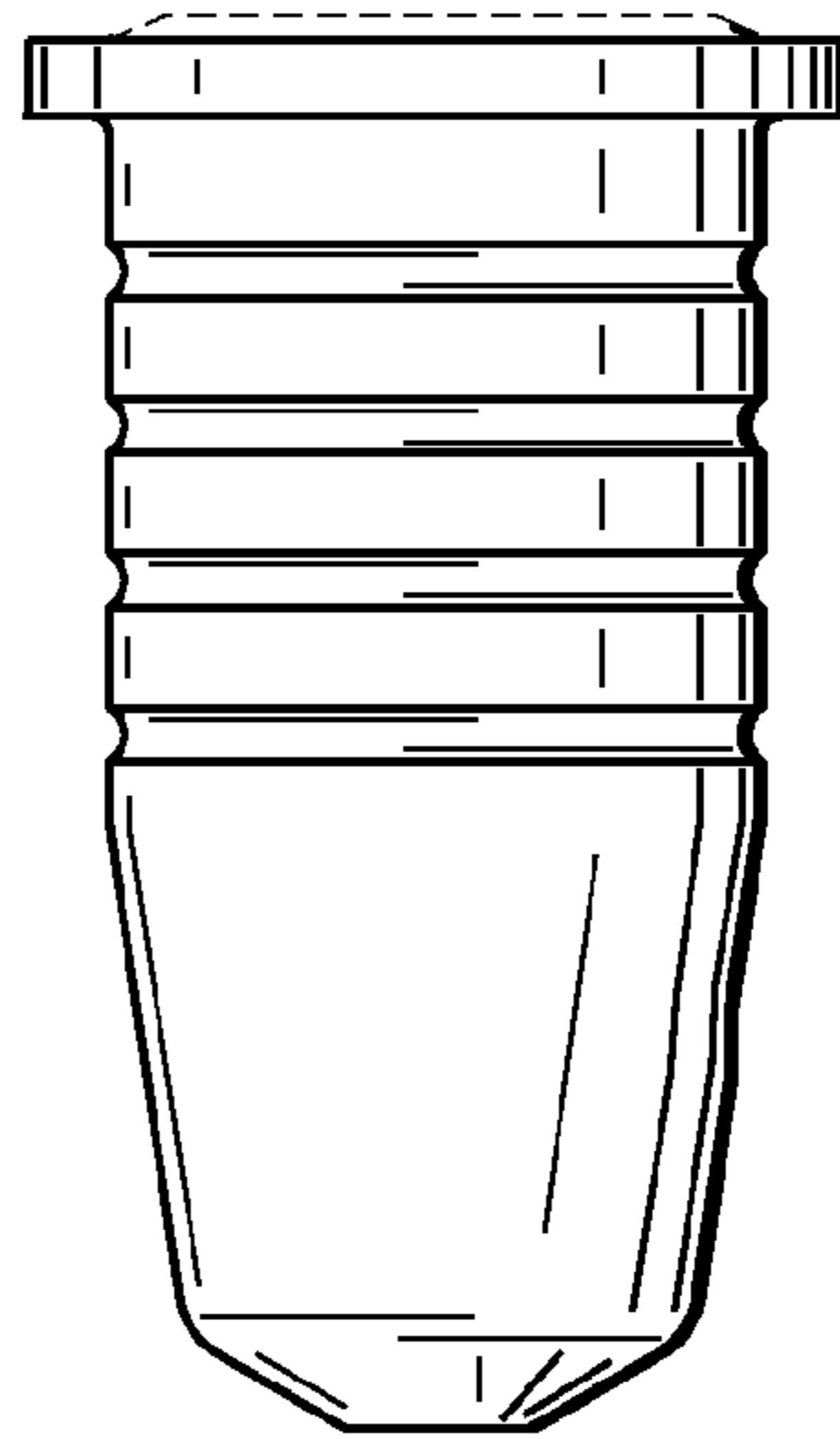


Fig. 2

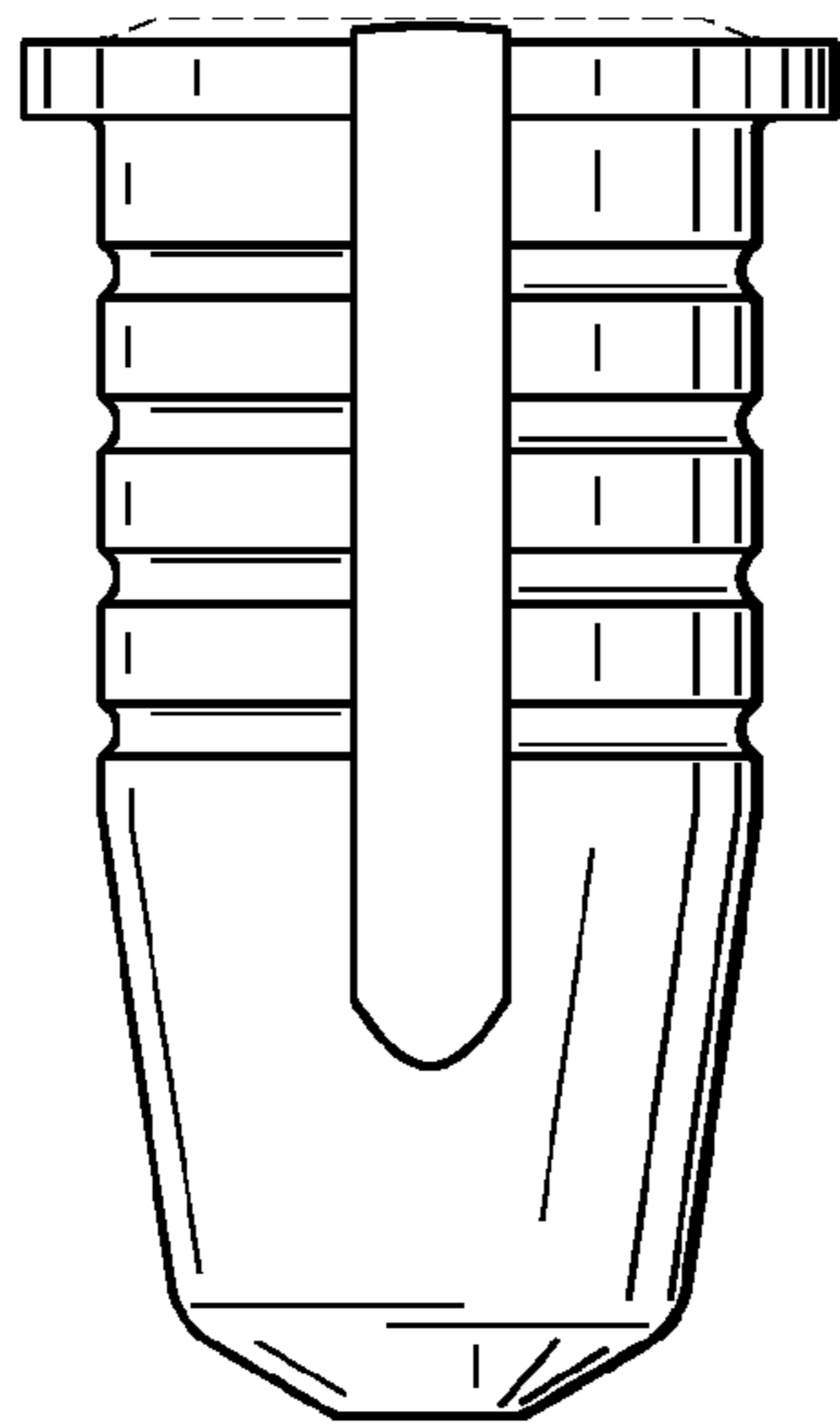


Fig. 3

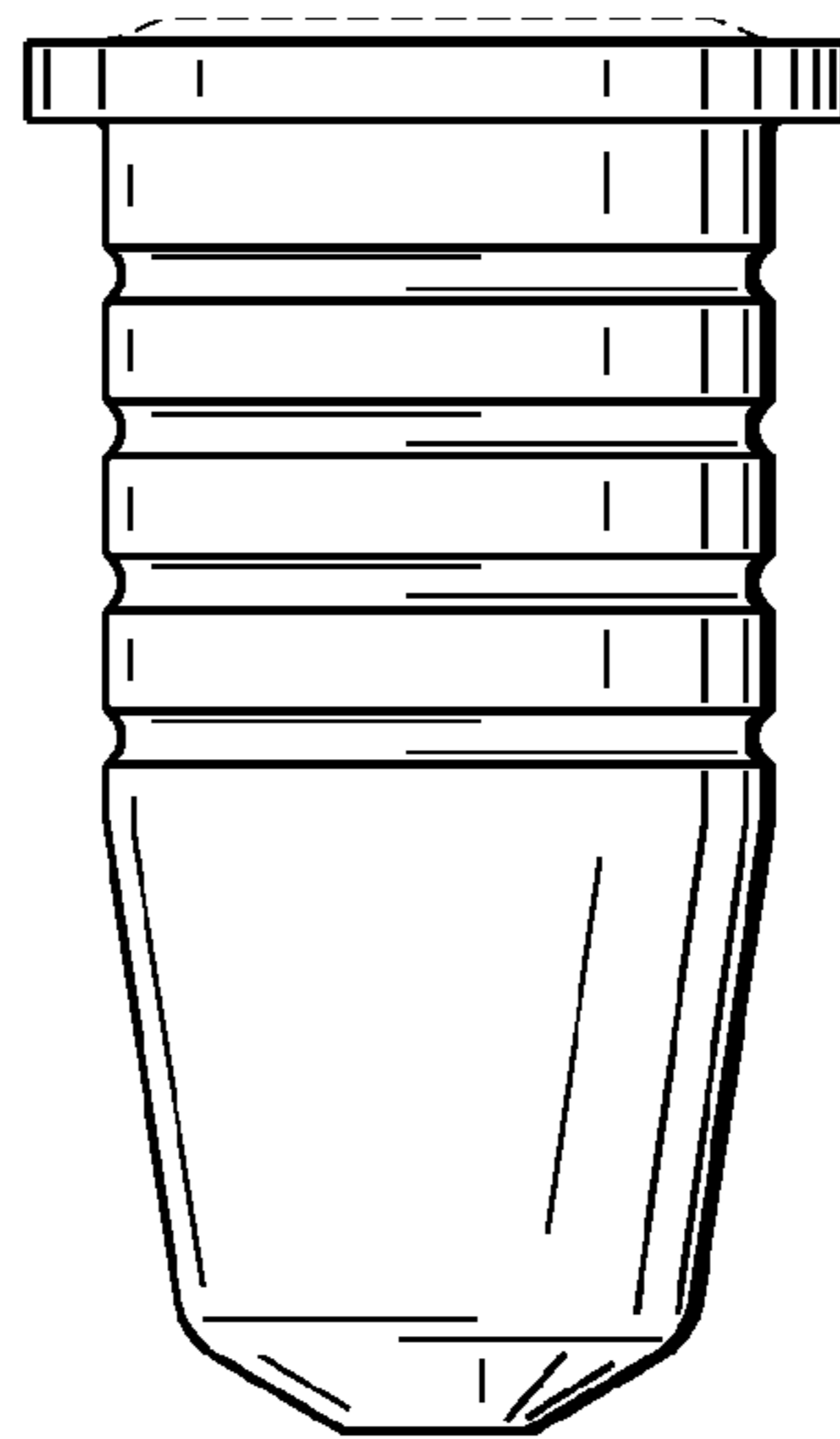


Fig. 4

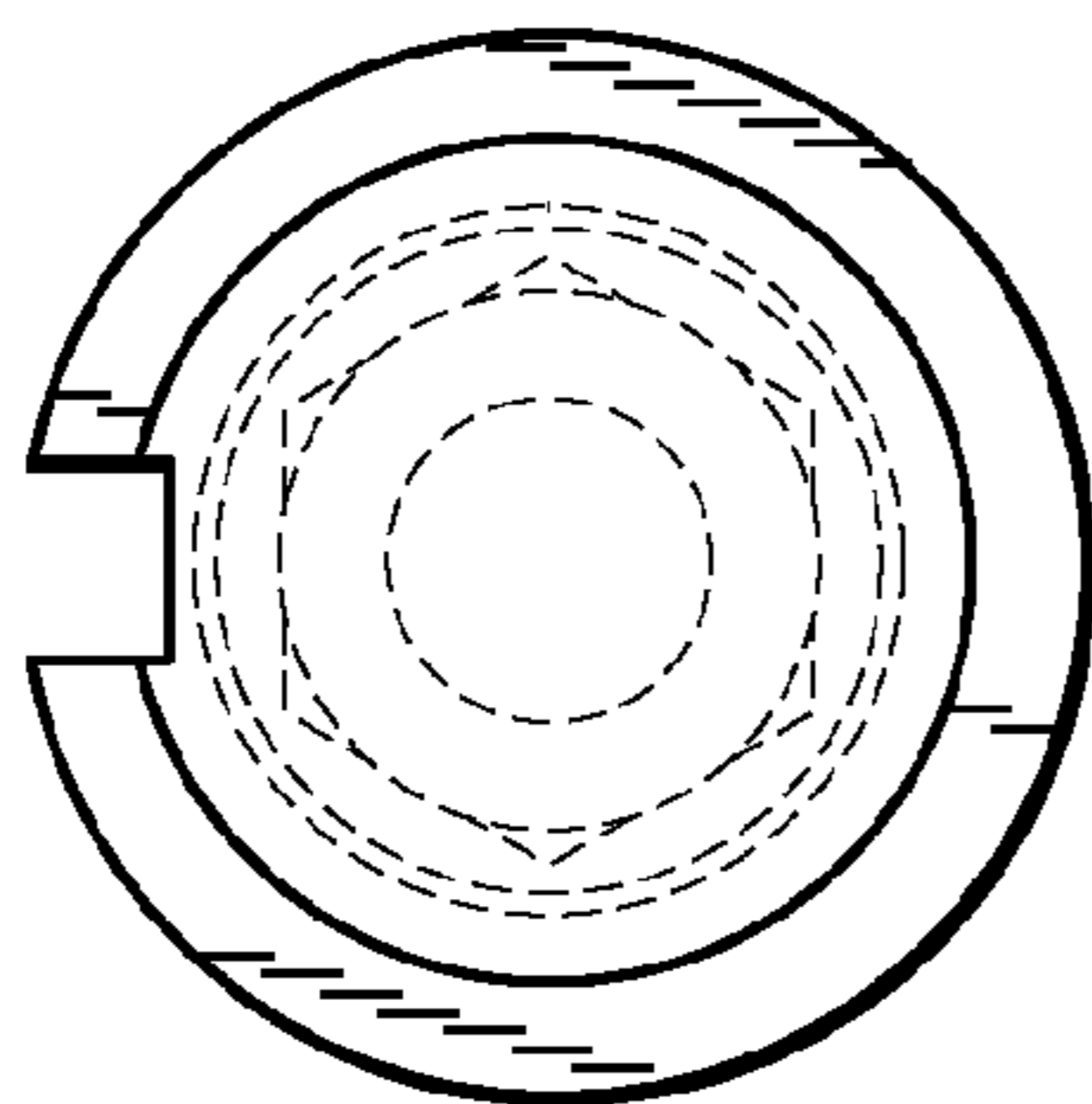


Fig. 5

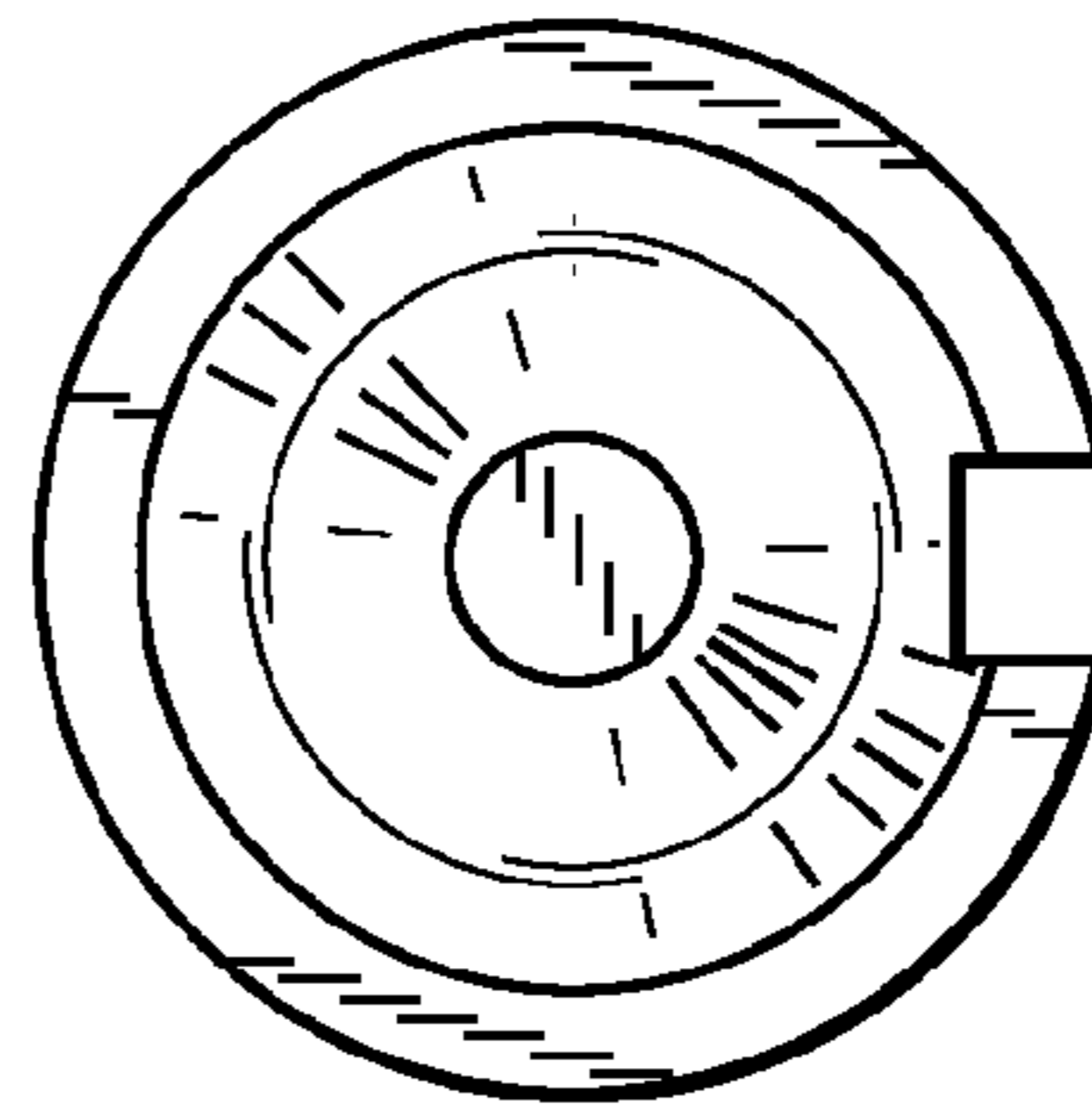


Fig. 6