



US00D620111S

(12) **United States Design Patent**
Courtney et al.

(10) **Patent No.:** **US D620,111 S**
(45) **Date of Patent:** **** Jul. 20, 2010**

(54) **INTERBODY FUSION DEVICE IMPLANT**

(75) Inventors: **Steve Courtney**, Plano, TX (US); **David Freehill**, Temple, TX (US)

(73) Assignee: **Eminent Spine LLC**, Georgetown, TX (US)

(**) Term: **14 Years**

(21) Appl. No.: **29/328,829**

(22) Filed: **Dec. 2, 2008**

(51) **LOC (9) Cl.** **24-03**

(52) **U.S. Cl.** **D24/155**

(58) **Field of Classification Search** D24/155-157;
606/60, 61, 73, 95, 213, 246, 248, 249; 623/17.11,
623/17.12, 17.13, 17.14, 17.15, 17.16, 23.61,
623/23.56, 247, 213, 11.11, 16.14, 20.23,
623/20.33, 33, 41

See application file for complete search history.

(56) **References Cited**

U.S. PATENT DOCUMENTS

D213,282 S	1/1969	Ring	
D242,827 S	12/1976	Elliott	
D245,259 S	8/1977	Shen	
D245,920 S	9/1977	Shen	
D248,771 S	8/1978	Groth et al.	
D248,772 S	8/1978	Groth et al.	
D291,003 S	7/1987	Huckstep	
D326,156 S	5/1992	Martinez	
D374,078 S	9/1996	Johnson et al.	
D377,095 S	12/1996	Michelson	
D397,439 S	8/1998	Koros et al.	
D411,009 S	6/1999	Asfora	
D450,121 S	11/2001	Anderson	
D458,373 S	6/2002	Jackson	
6,458,159 B1 *	10/2002	Thalgott	623/17.11
D472,633 S	4/2003	Anderson	
D472,634 S	4/2003	Anderson	
D473,650 S	4/2003	Anderson	
D473,944 S *	4/2003	Anderson	D24/155

D493,225 S	7/2004	Varga et al.	
D494,274 S	8/2004	Varga et al.	
6,773,460 B2 *	8/2004	Jackson	623/17.15
D501,555 S	2/2005	Varga et al.	
D503,801 S	4/2005	Jackson	
7,044,972 B2 *	5/2006	Mathys et al.	623/17.16
D524,443 S	7/2006	Blain	
7,135,043 B2 *	11/2006	Nakahara et al.	623/17.11
7,137,997 B2 *	11/2006	Paul	623/17.11
D533,277 S	12/2006	Blain	
D539,934 S	4/2007	Blain	
D541,940 S	5/2007	Blain	
7,238,203 B2 *	7/2007	Bagga et al.	623/17.11
D553,742 S *	10/2007	Park	D24/155
D564,095 S *	3/2008	Blain	D24/155
7,500,991 B2 *	3/2009	Bartish et al.	623/17.11
D594,986 S *	6/2009	Miles et al.	D24/155
D599,019 S *	8/2009	Pimenta et al.	D24/155
7,591,852 B2 *	9/2009	Prosser	623/17.11
7,637,950 B2 *	12/2009	Baccelli et al.	623/17.11

* cited by examiner

Primary Examiner—Charles A Rademaker

(74) *Attorney, Agent, or Firm*—Scott T. Griggs; Griggs Bergen LLP

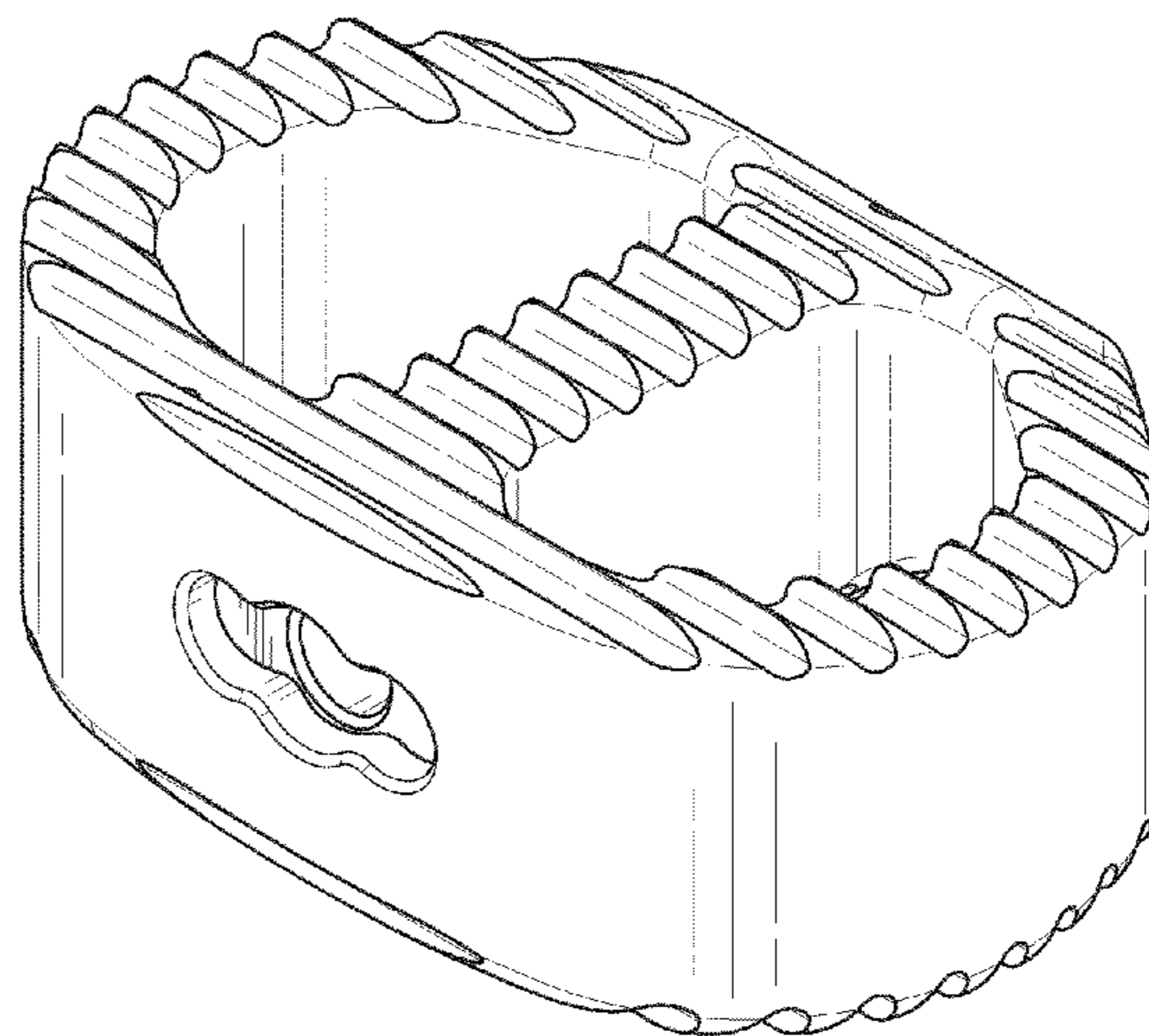
(57) **CLAIM**

The ornamental design for an interbody fusion device implant, as shown and described.

DESCRIPTION

FIG. 1 is a front perspective view of an interbody fusion device implant illustrating the design;
FIG. 2 is a rear perspective view thereof;
FIG. 3 is a front elevation view thereof;
FIG. 4 is a rear elevation view thereof;
FIG. 5 is a left-side elevation view thereof;
FIG. 6 is a right-side elevation view thereof;
FIG. 7 is a top plan view thereof; and,
FIG. 8 is a bottom plan view thereof.

1 Claim, 4 Drawing Sheets



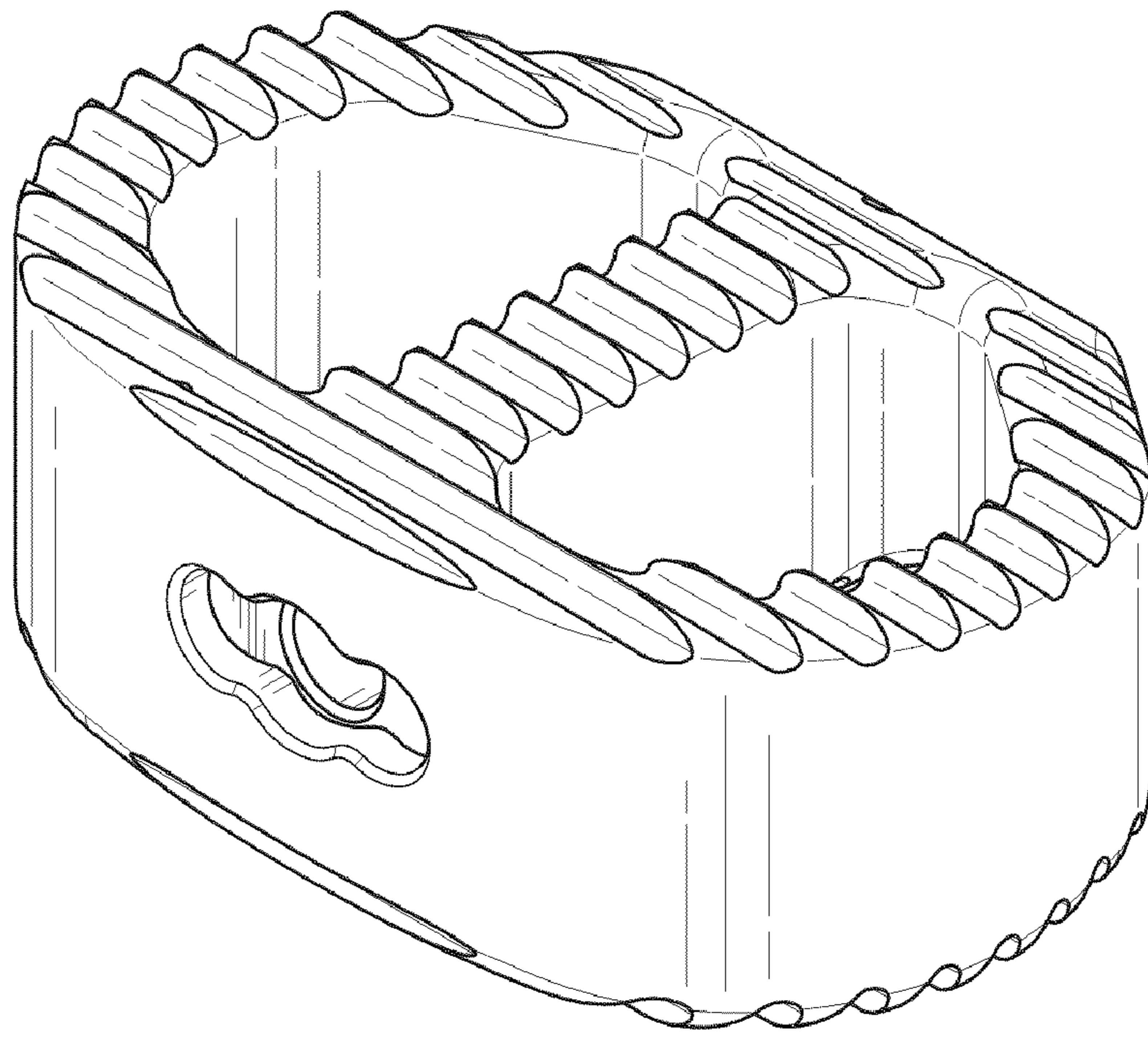


FIG. 1

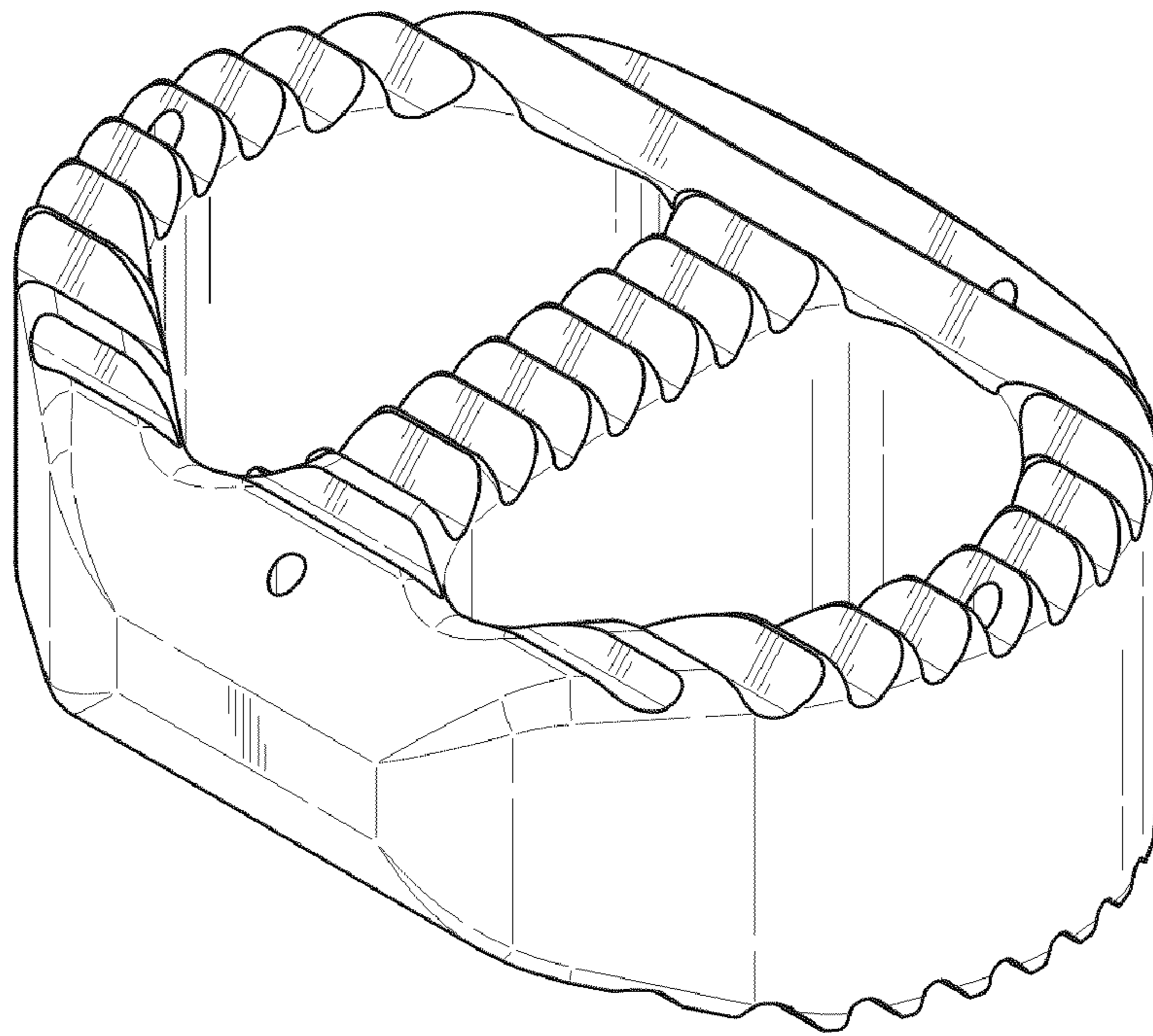


FIG. 2

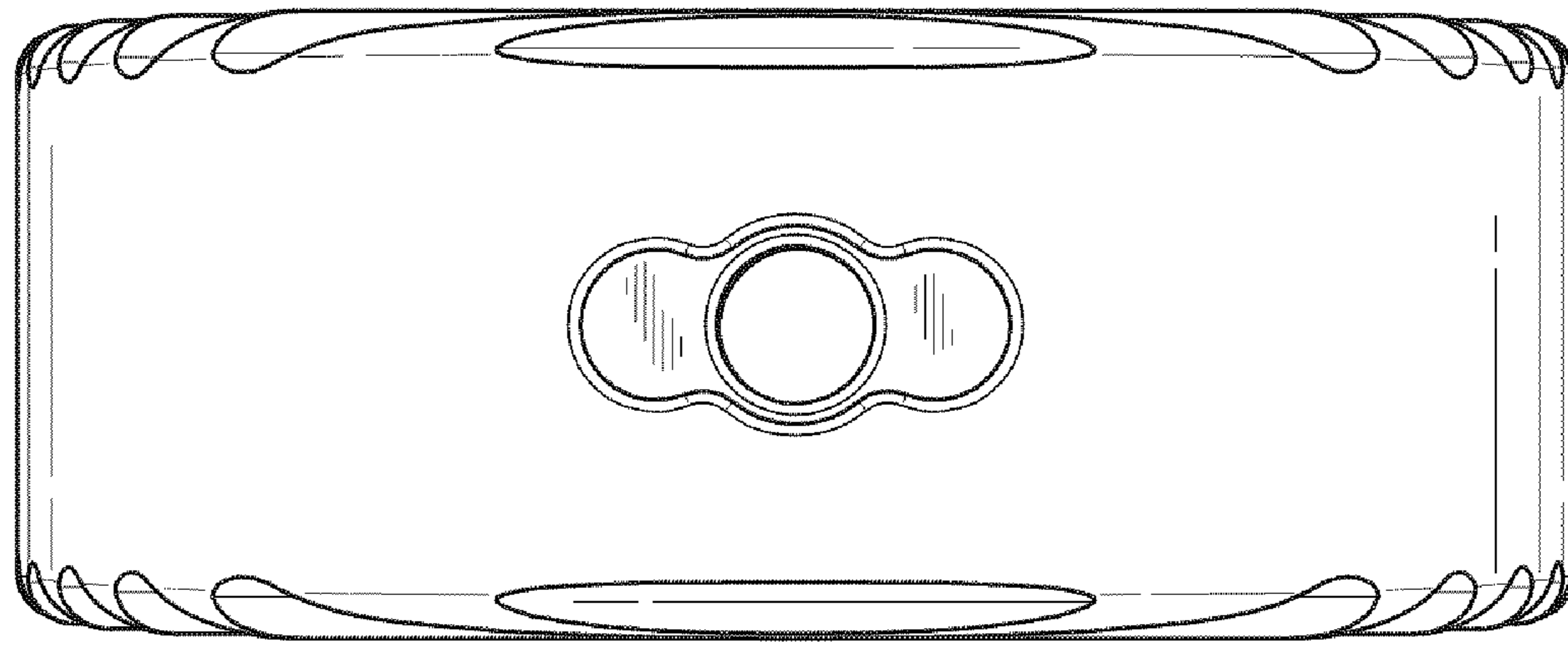


FIG. 3

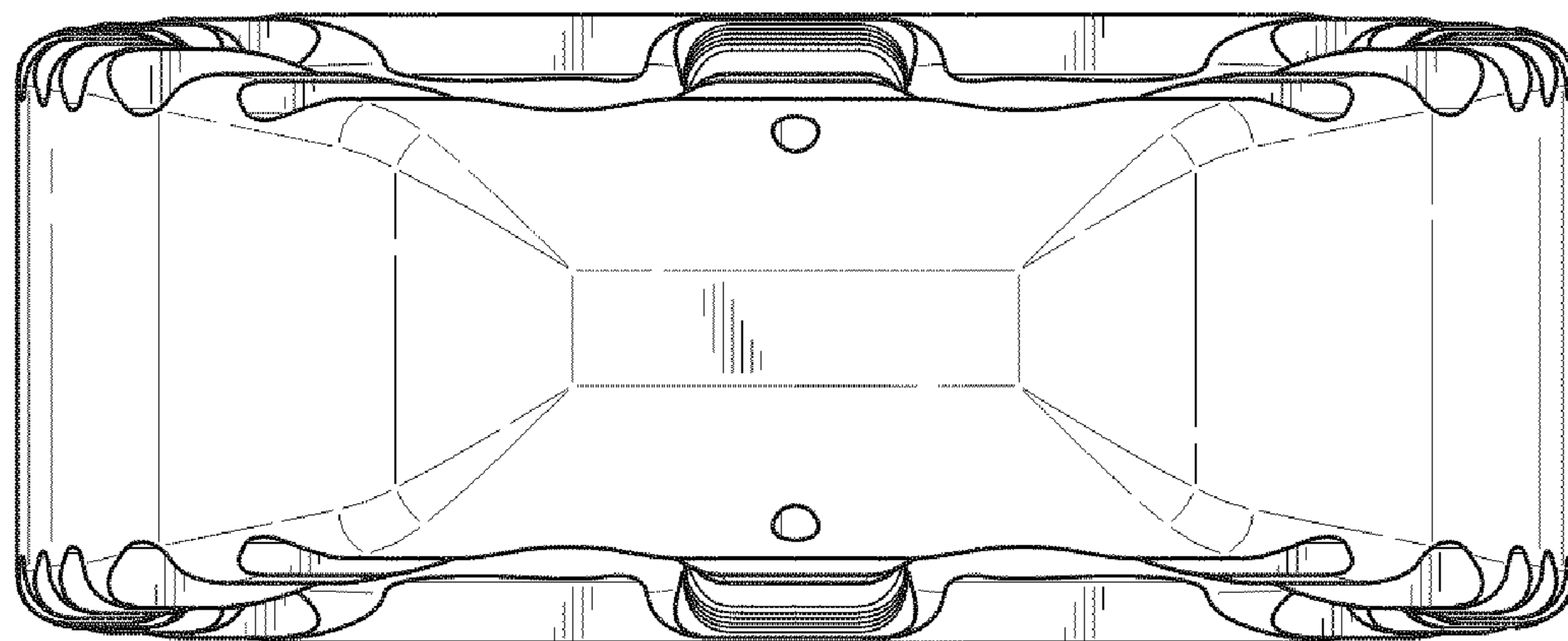


FIG. 4

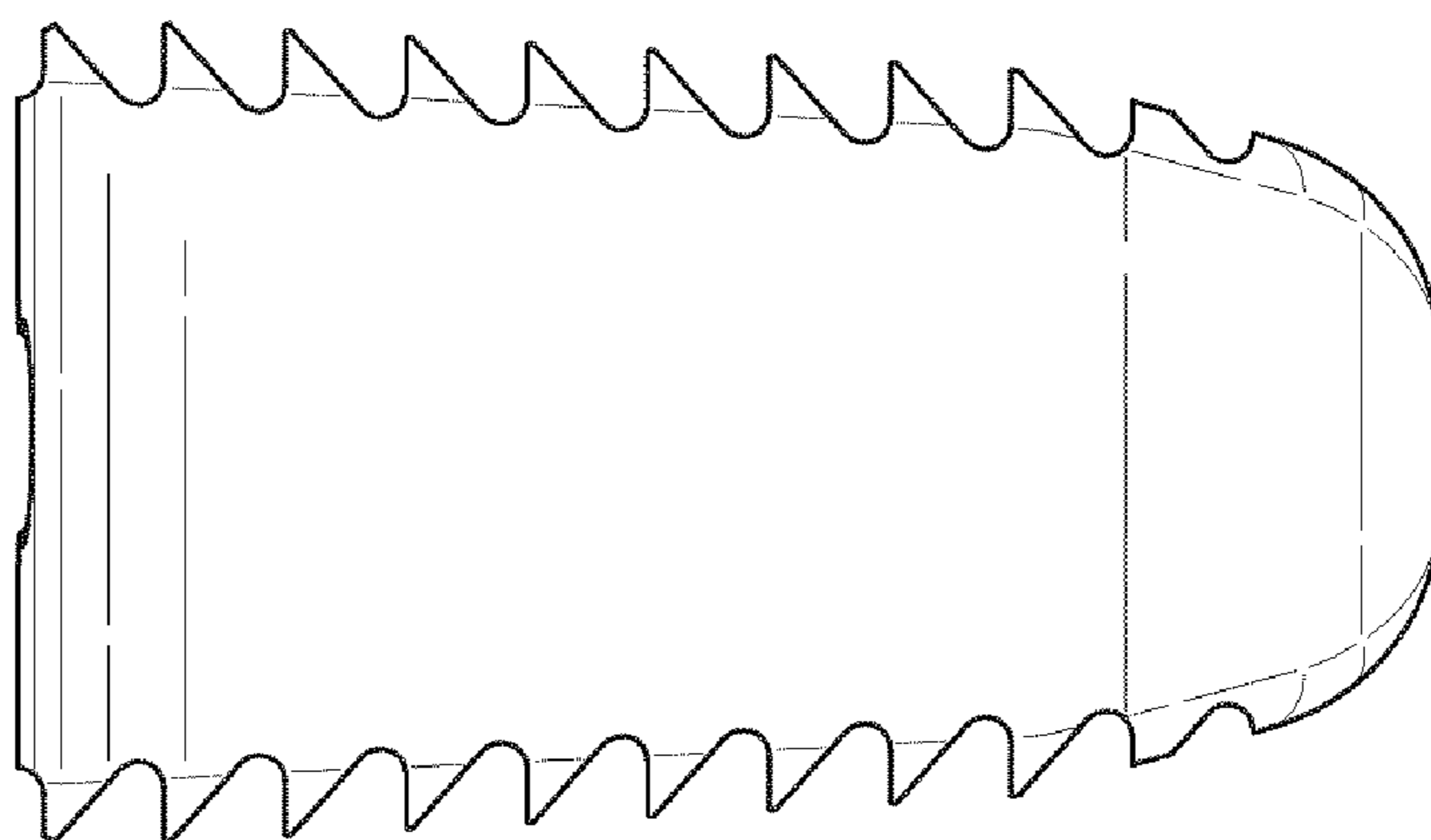


FIG. 5

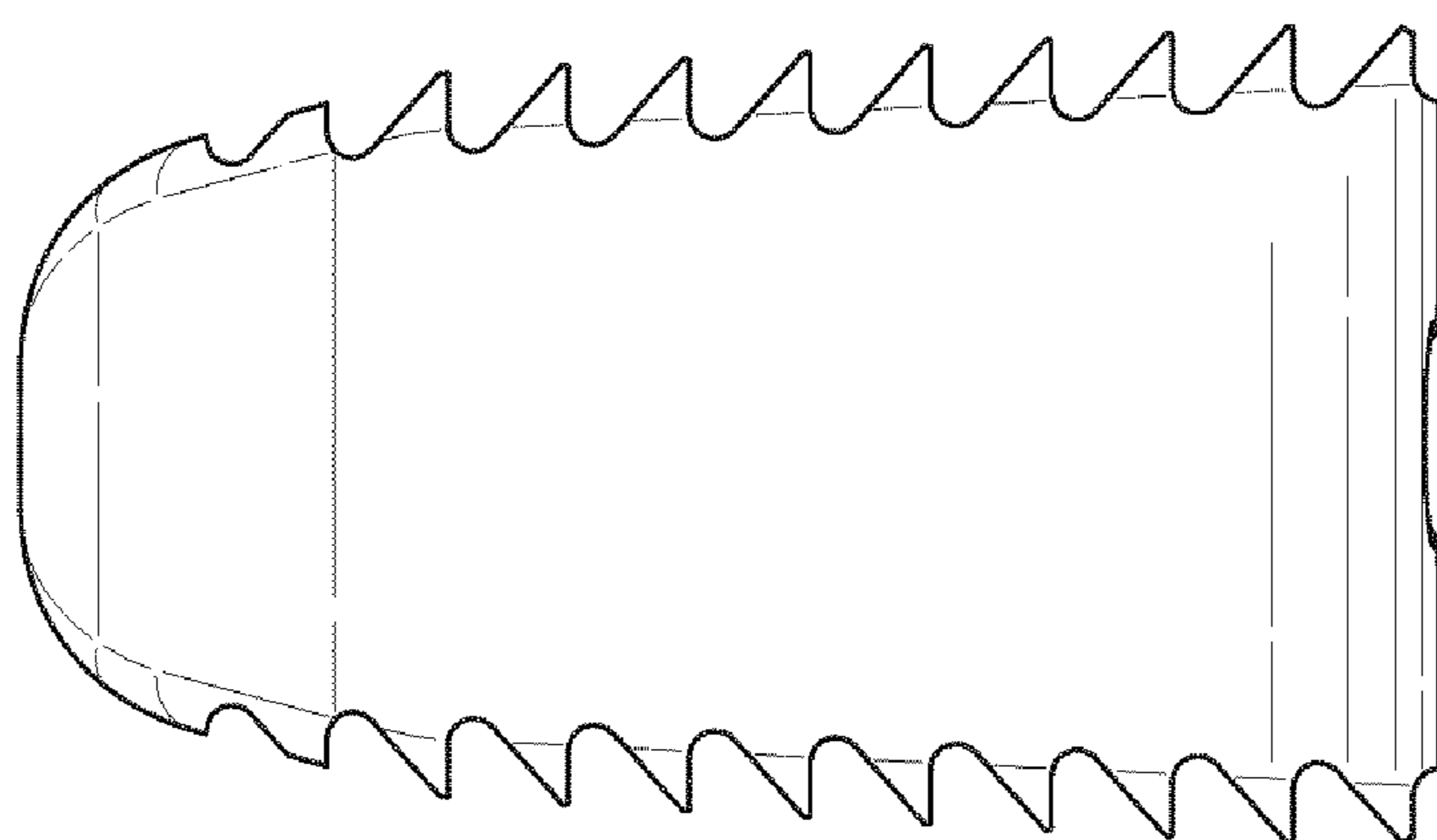


FIG. 6

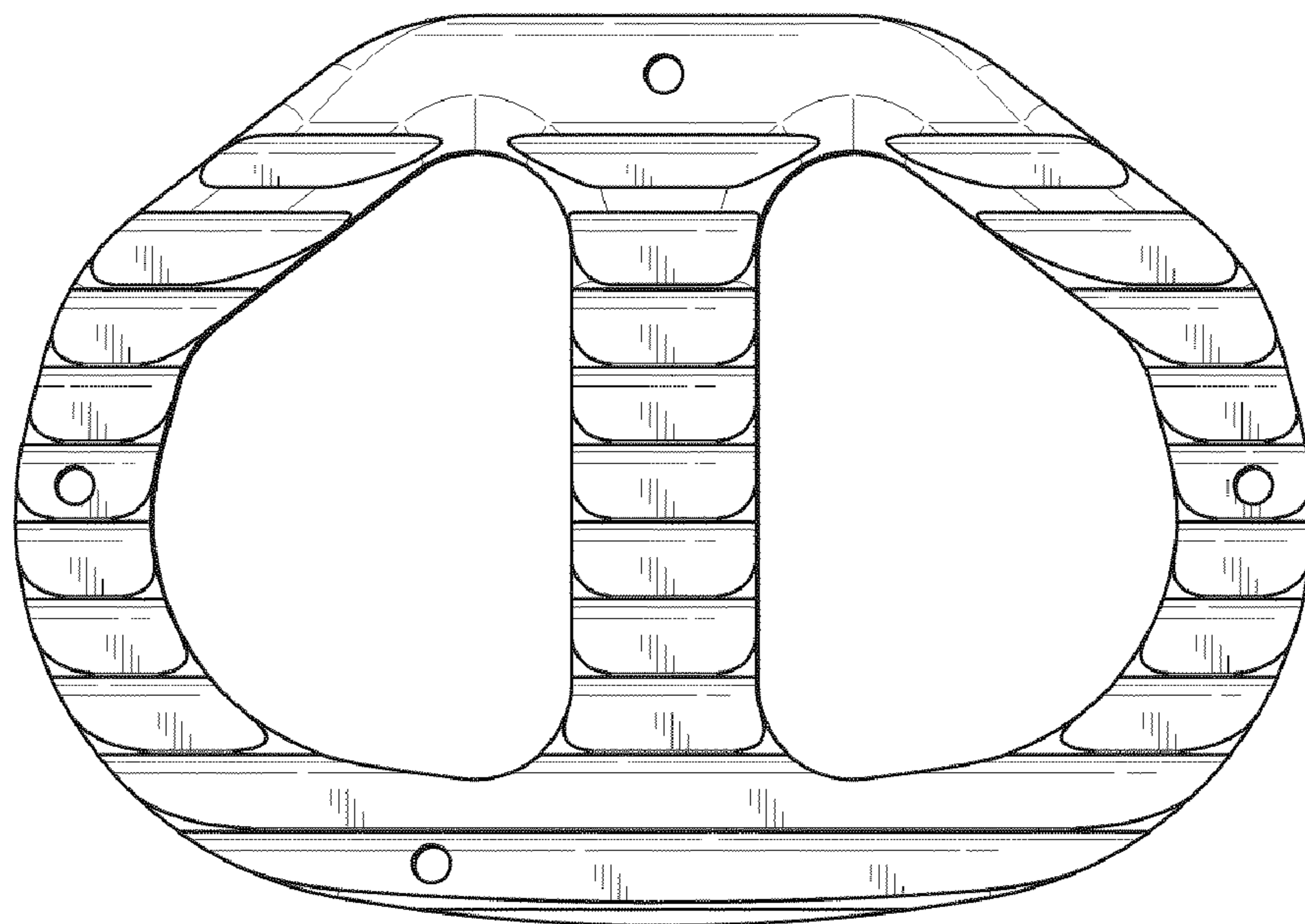


FIG. 7

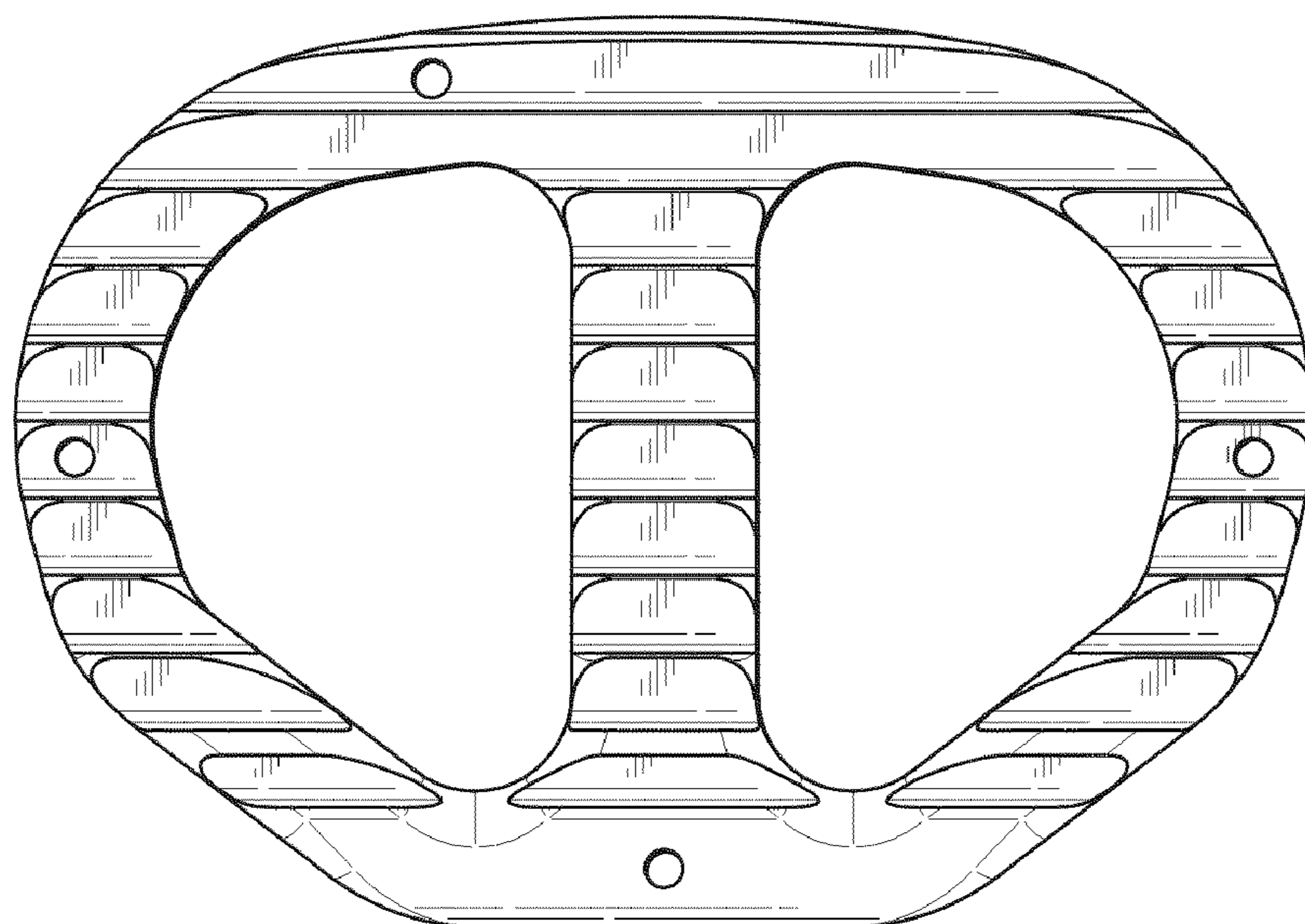


FIG. 8