



US00D620110S

(12) **United States Design Patent**
Courtney et al.

(10) **Patent No.:** **US D620,110 S**
(45) **Date of Patent:** **** Jul. 20, 2010**

(54) **INTERBODY FUSION DEVICE IMPLANT**

(75) Inventors: **Steve Courtney**, Plano, TX (US); **David Freehill**, Temple, TX (US)

(73) Assignee: **Eminent Spine LLC**, Georgetown, TX (US)

(**) Term: **14 Years**

(21) Appl. No.: **29/328,826**

(22) Filed: **Dec. 2, 2008**

(51) **LOC (9) Cl.** **24-03**

(52) **U.S. Cl.** **D24/155**

(58) **Field of Classification Search** D24/155-157;
606/60, 61, 73, 95, 213, 246, 248, 249; 623/17.11,
623/17.12, 17.13, 17.14, 17.15, 17.16, 23.61,
623/23.56, 247, 213, 11.11, 16.14, 20.23,
623/20.33, 33, 41

See application file for complete search history.

| | | | |
|----------------|---------|----------------|-----------|
| D473,650 S | 4/2003 | Anderson | |
| 6,676,703 B2 * | 1/2004 | Biscup | 623/17.16 |
| D493,225 S | 7/2004 | Varga et al. | |
| D494,274 S | 8/2004 | Varga et al. | |
| D501,555 S | 2/2005 | Varga et al. | |
| D503,801 S | 4/2005 | Jackson | |
| 6,964,687 B1 * | 11/2005 | Bernard et al. | 623/17.16 |
| D524,443 S | 7/2006 | Blain | |
| D530,423 S * | 10/2006 | Miles et al. | D24/155 |
| 7,141,068 B2 * | 11/2006 | Ross et al. | 623/17.11 |
| D533,277 S | 12/2006 | Blain | |
| D539,934 S | 4/2007 | Blain | |
| D541,940 S | 5/2007 | Blain | |
| 7,229,477 B2 * | 6/2007 | Biscup | 623/17.11 |
| D553,742 S * | 10/2007 | Park | D24/155 |
| 7,309,358 B2 * | 12/2007 | Berry et al. | 623/17.16 |
| 7,458,988 B2 * | 12/2008 | Trieu et al. | 623/17.13 |
| 7,641,690 B2 * | 1/2010 | Abdou | 623/17.11 |

* cited by examiner

Primary Examiner—Charles A Rademaker

(74) *Attorney, Agent, or Firm*—Scott T. Griggs; Griggs Bergen LLP

(56) **References Cited**

U.S. PATENT DOCUMENTS

| | | | |
|----------------|---------|----------------|-----------|
| D213,282 S | 1/1969 | Ring | |
| D242,827 S | 12/1976 | Elliott | |
| D245,259 S | 8/1977 | Shen | |
| D245,920 S | 9/1977 | Shen | |
| D248,771 S | 8/1978 | Groth et al. | |
| D248,772 S | 8/1978 | Groth et al. | |
| D291,003 S | 7/1987 | Huckstep | |
| D326,156 S | 5/1992 | Martinez | |
| D374,078 S | 9/1996 | Johnson et al. | |
| D377,095 S | 12/1996 | Michelson | |
| D397,439 S | 8/1998 | Koros et al. | |
| D411,009 S | 6/1999 | Asfora | |
| 6,245,108 B1 * | 6/2001 | Biscup | 623/17.11 |
| D450,121 S | 11/2001 | Anderson | |
| D458,373 S | 6/2002 | Jackson | |
| D472,633 S | 4/2003 | Anderson | |
| D472,634 S | 4/2003 | Anderson | |

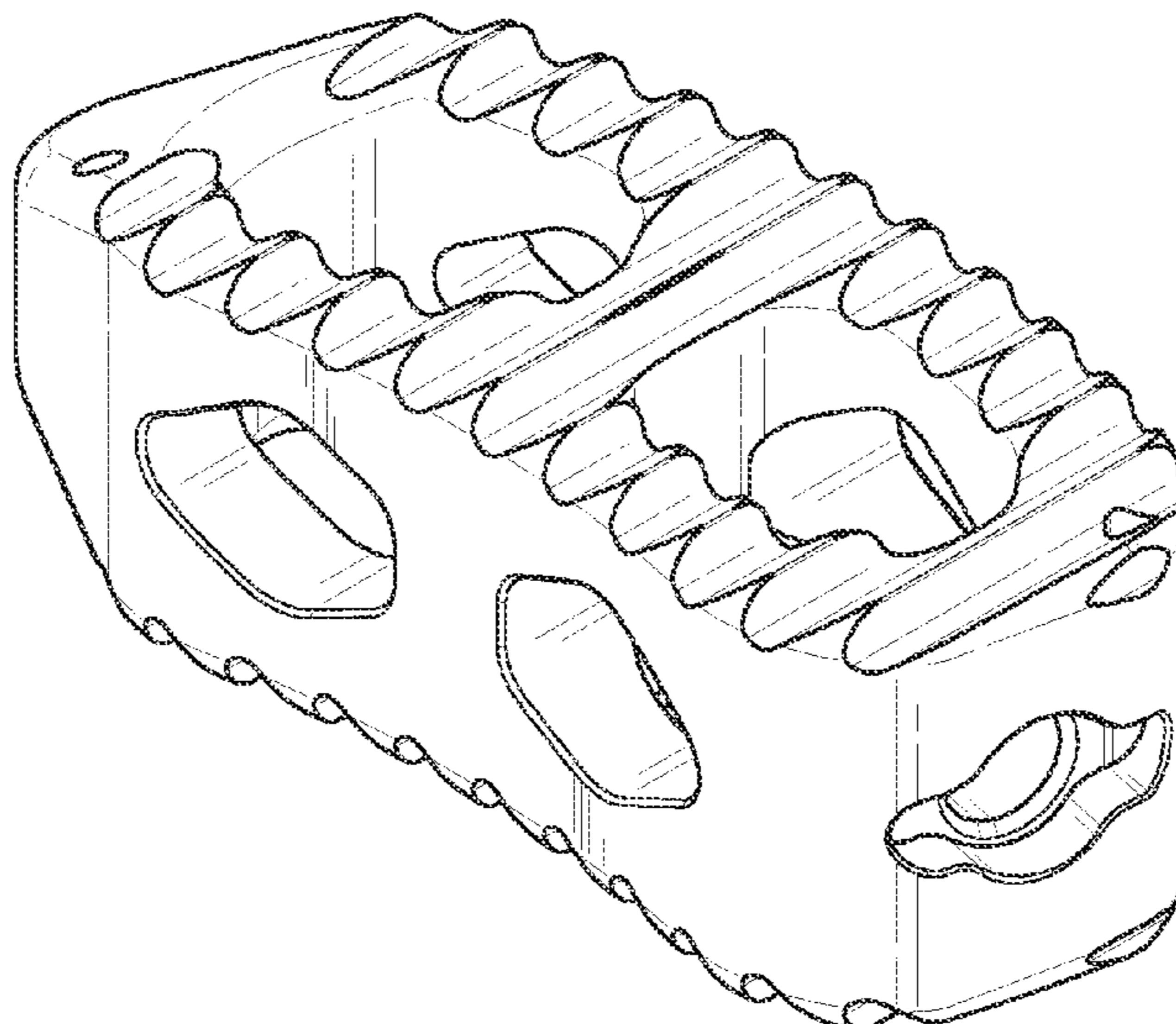
(57) **CLAIM**

The ornamental design for an interbody fusion device implant, as shown and described.

DESCRIPTION

FIG. 1 is a front perspective view of an interbody fusion device implant illustrating the design;
FIG. 2 is a rear perspective view thereof;
FIG. 3 is a front elevation view thereof;
FIG. 4 is a rear elevation view thereof;
FIG. 5 is a right-side elevation view thereof;
FIG. 6 is a left-side elevation view thereof;
FIG. 7 is a top plan view thereof; and,
FIG. 8 is a bottom plan view thereof.

1 Claim, 4 Drawing Sheets



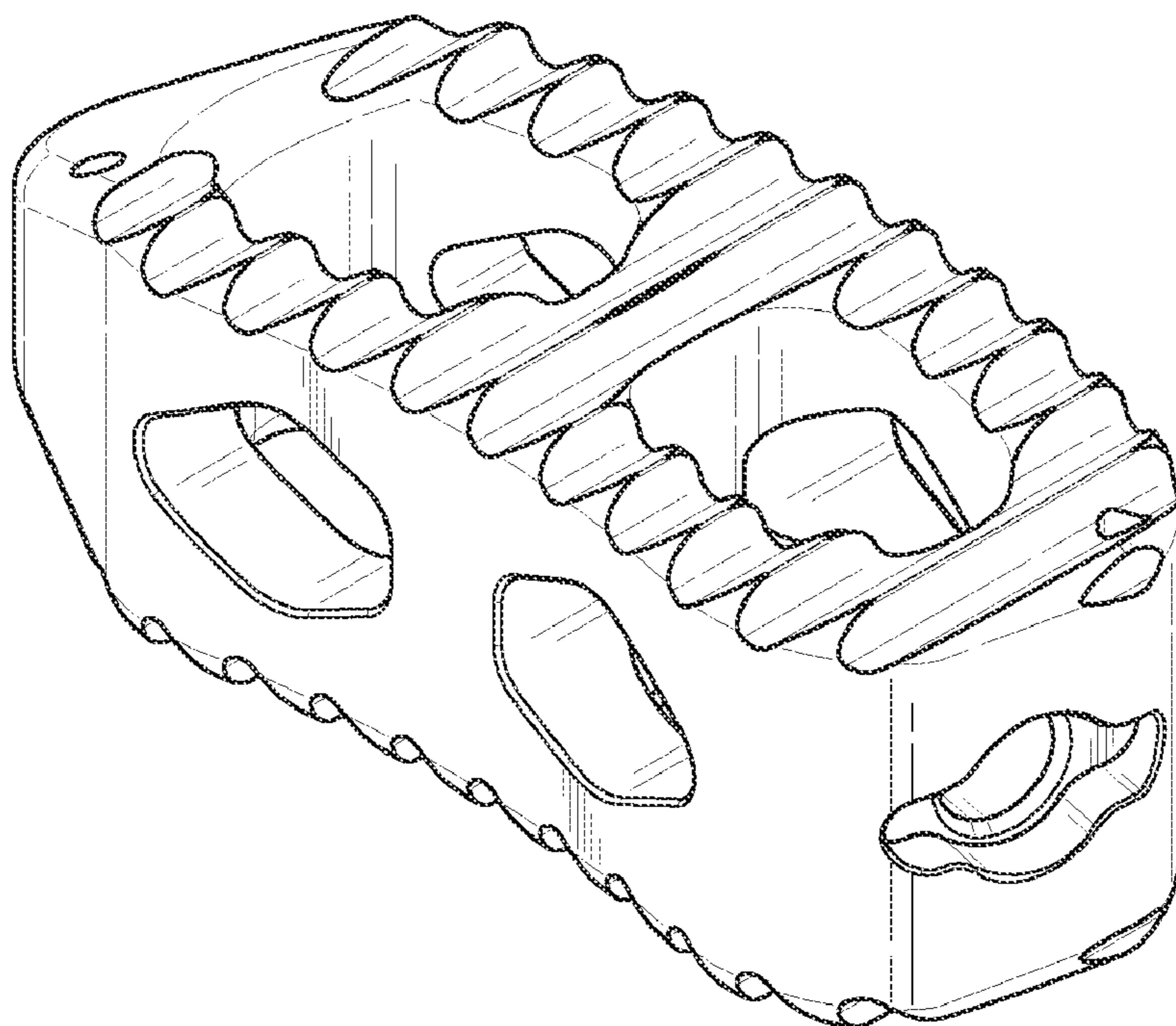


FIG. 1

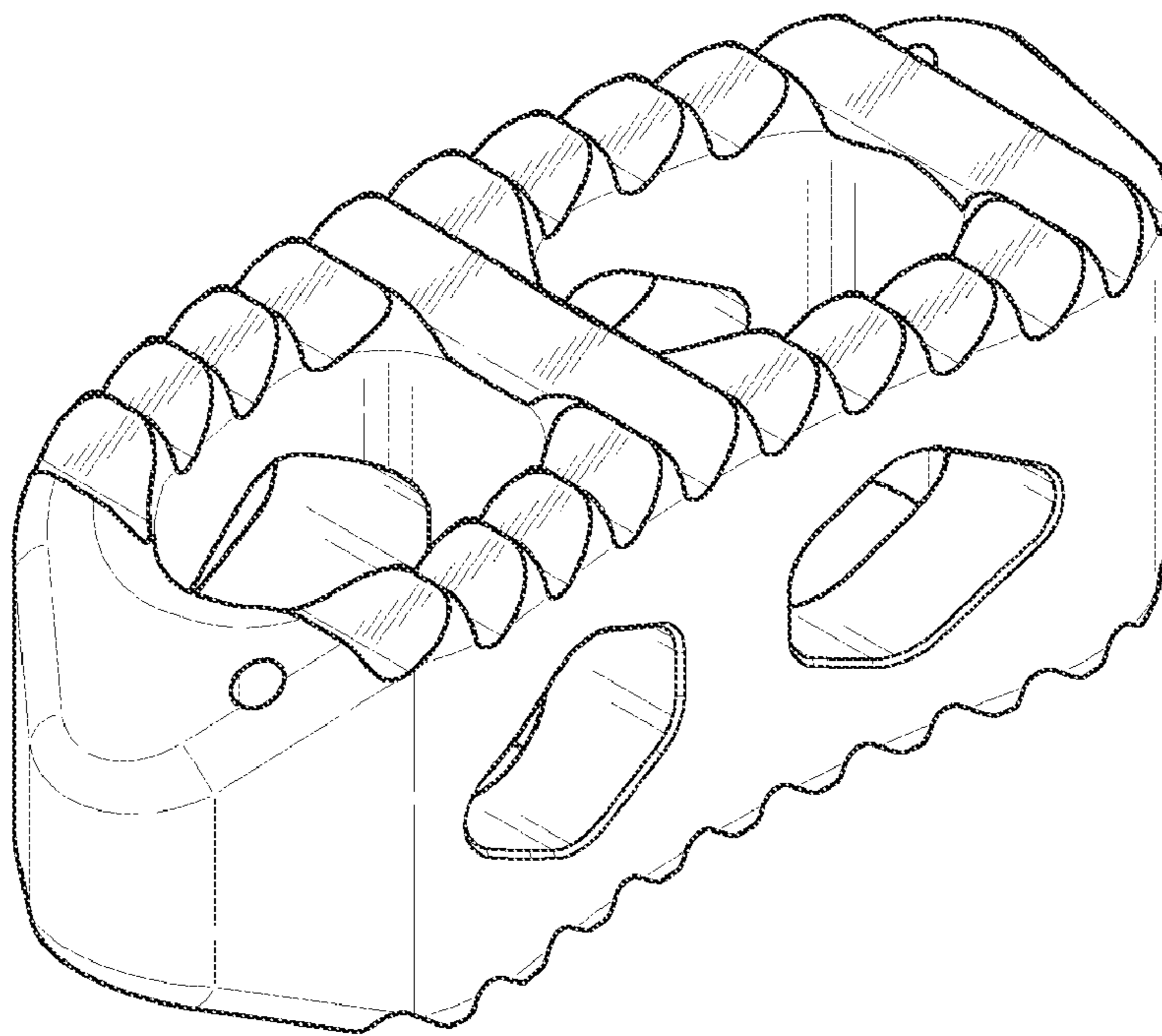


FIG. 2

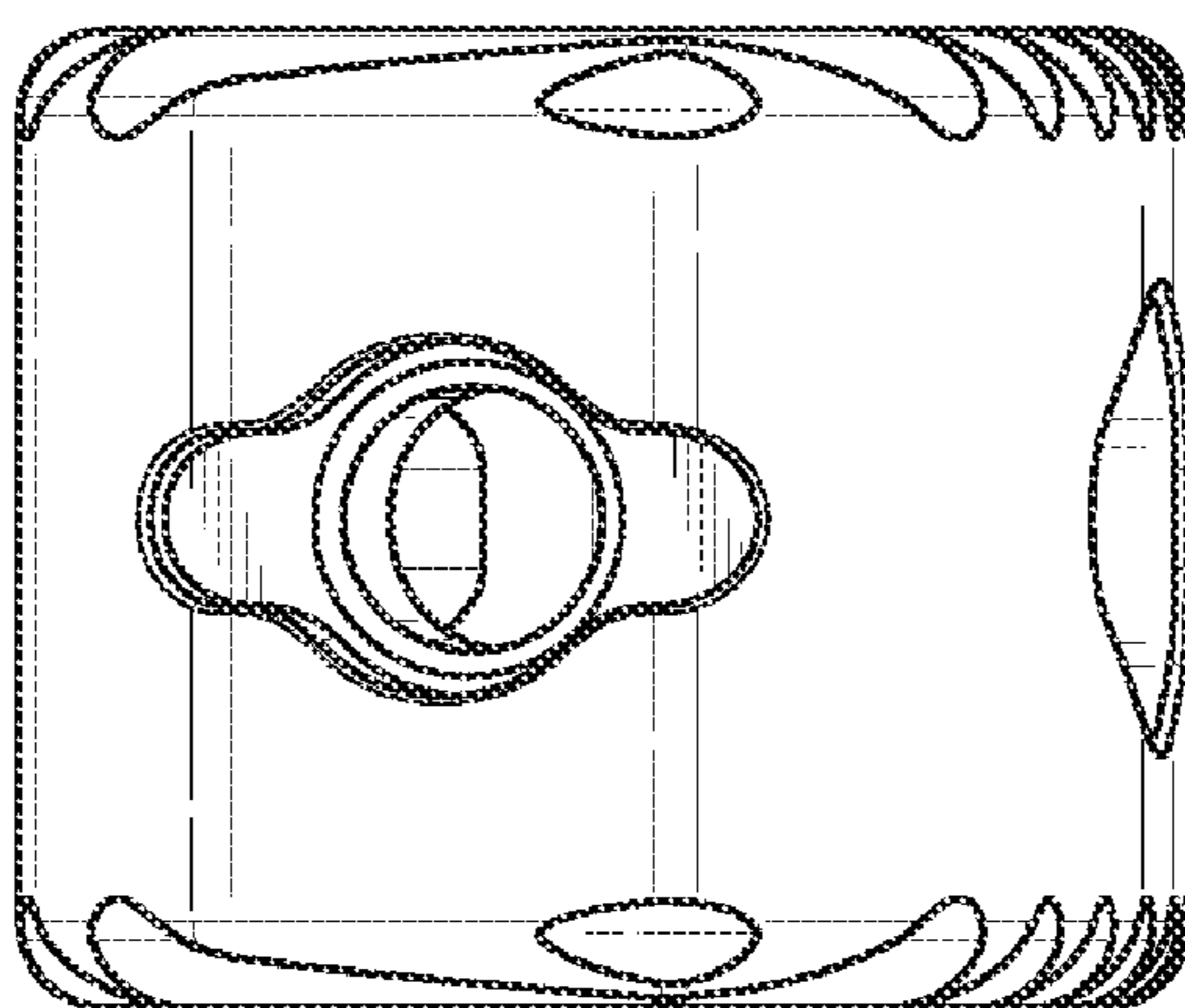


FIG. 3

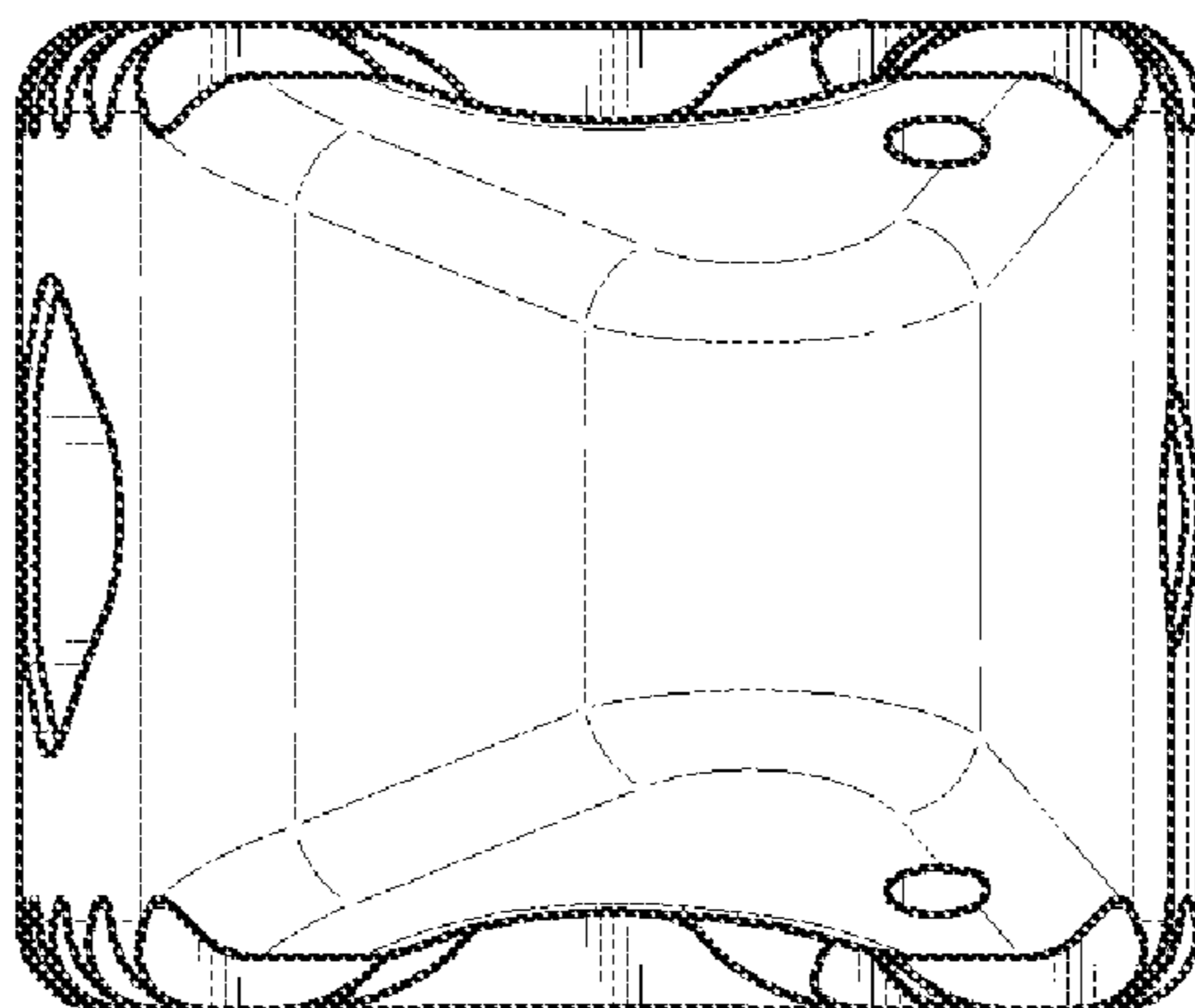


FIG. 4

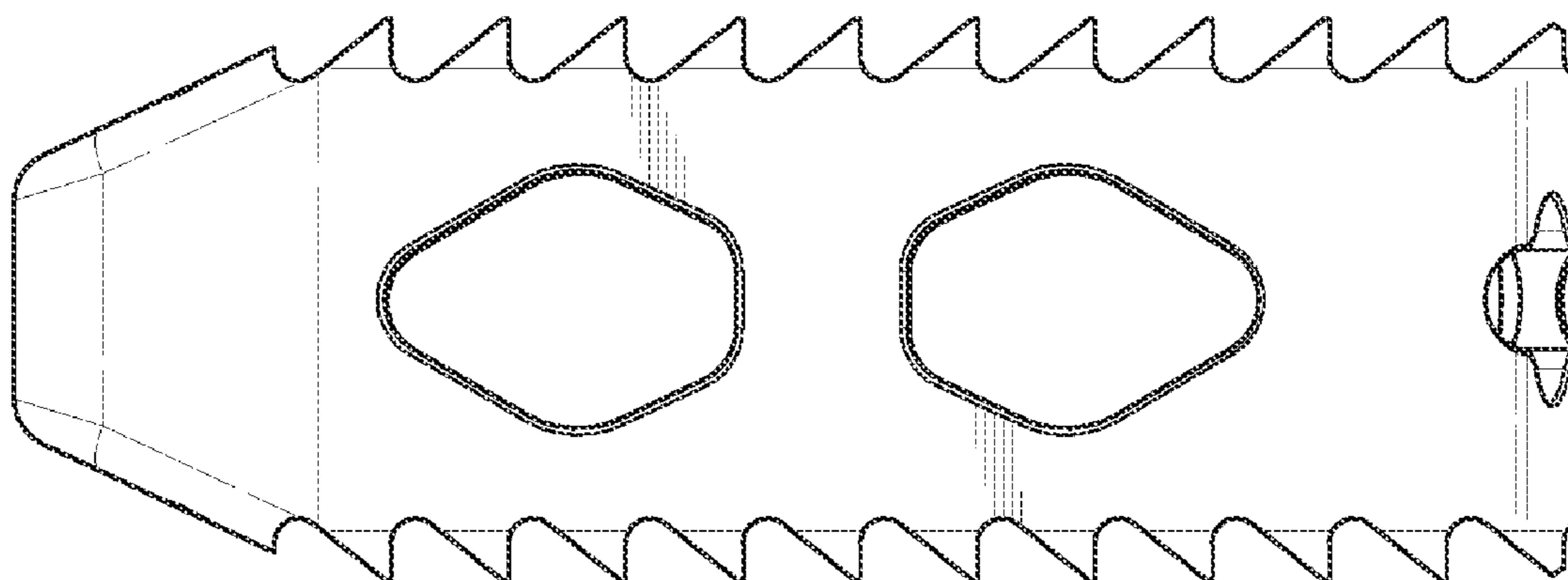


FIG. 5

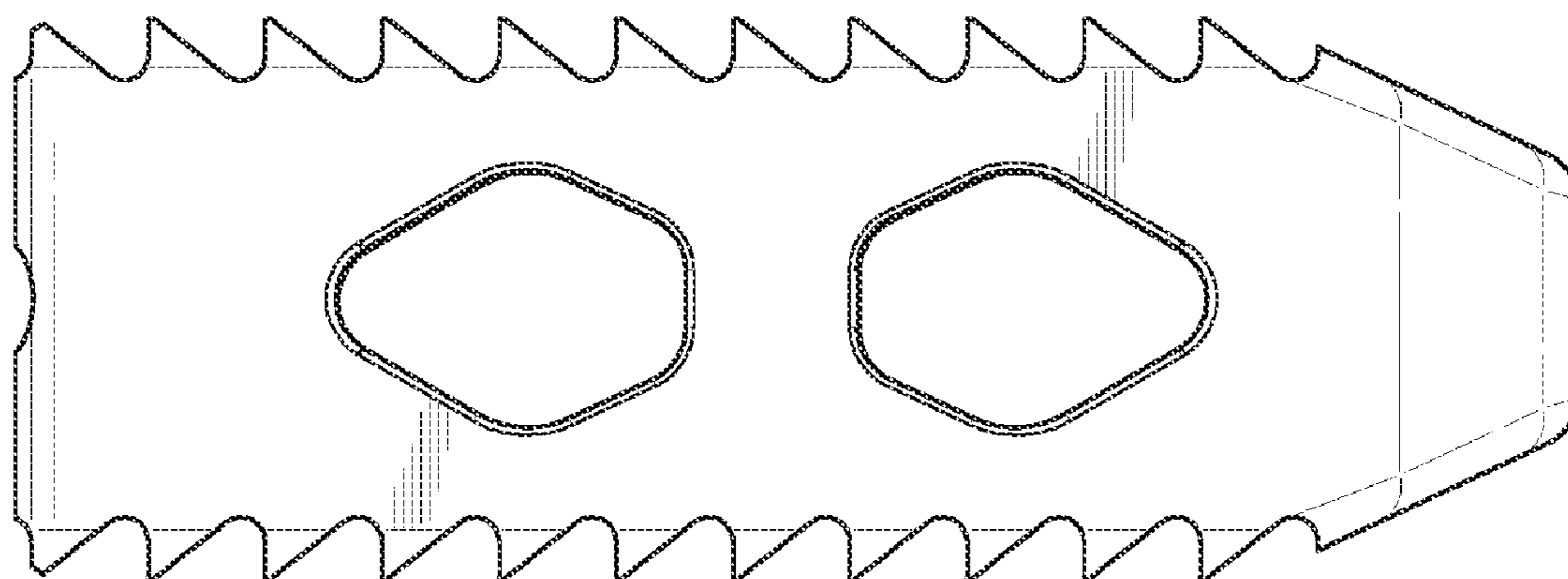


FIG. 6

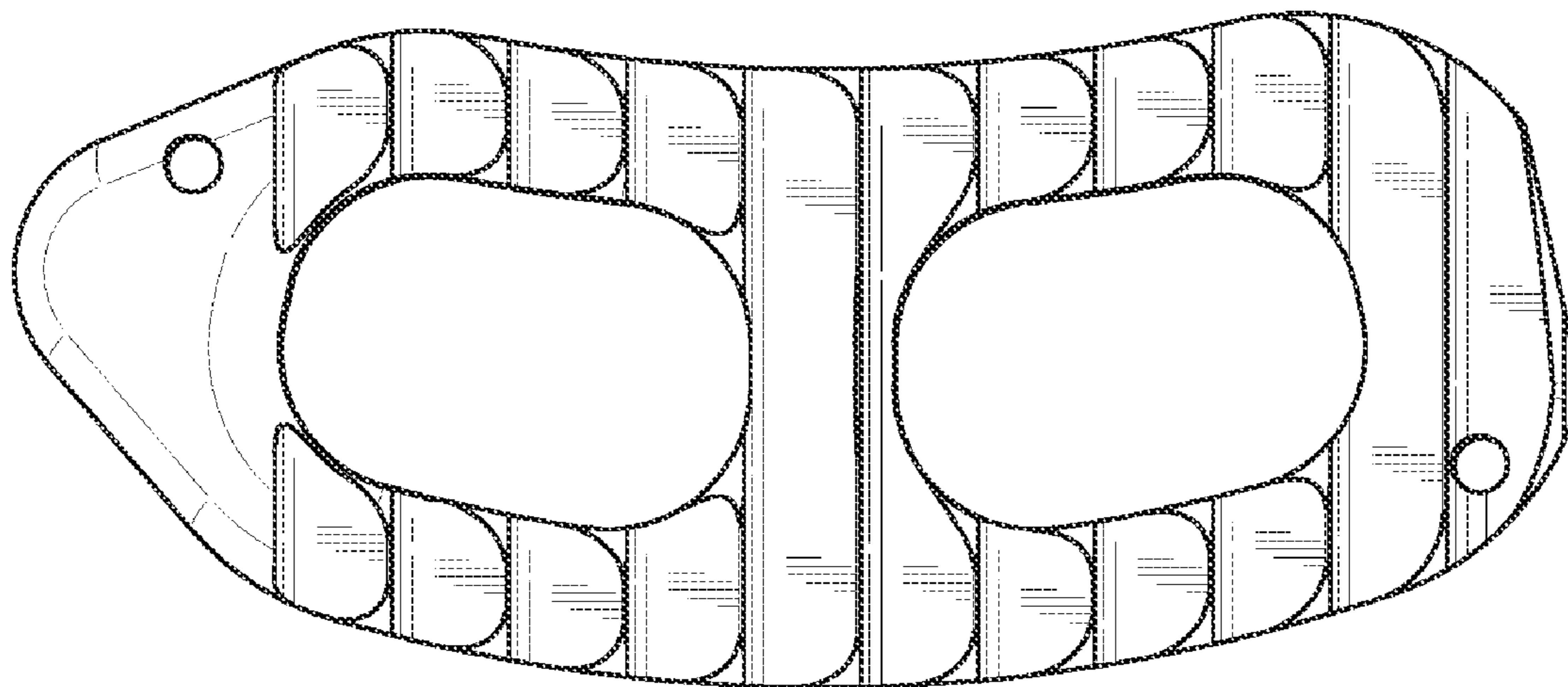


FIG. 7

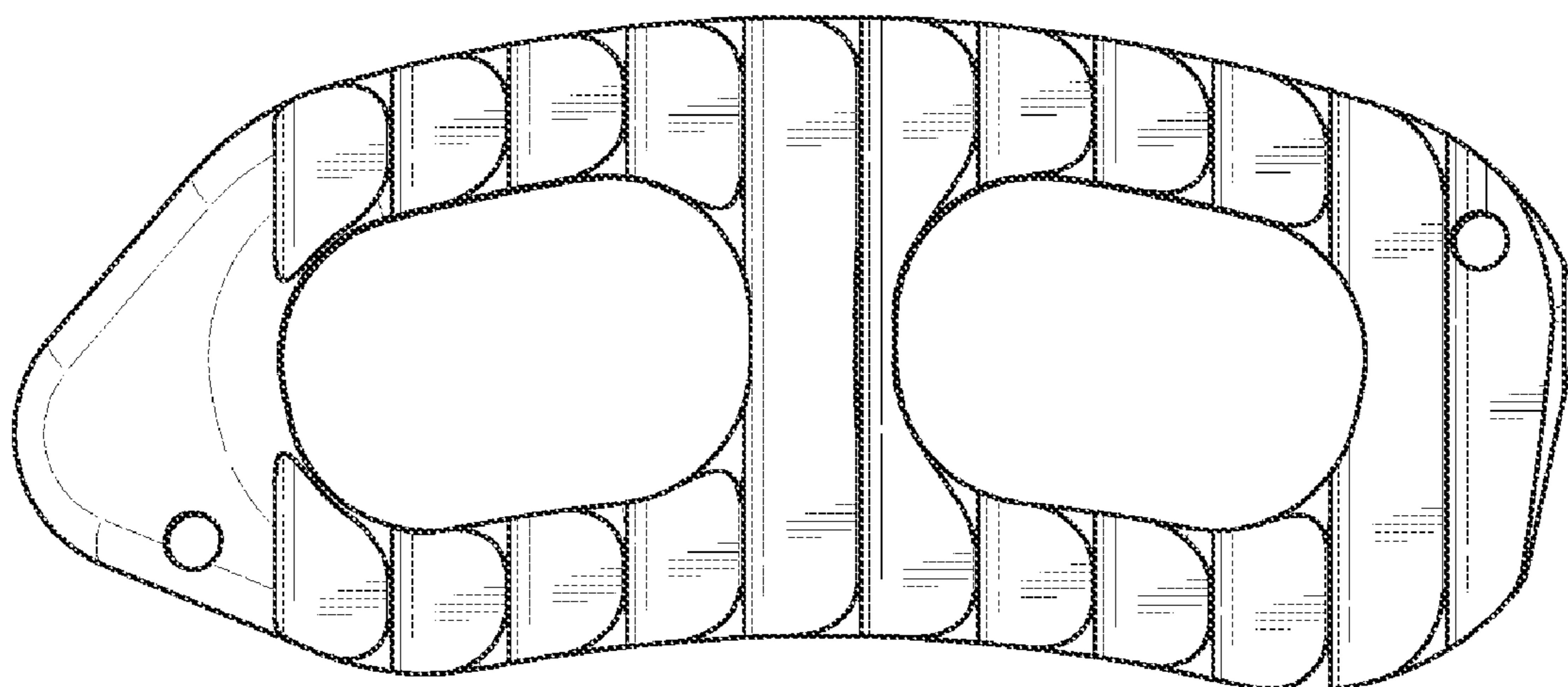


FIG. 8

UNITED STATES PATENT AND TRADEMARK OFFICE
CERTIFICATE OF CORRECTION

PATENT NO. : D620,110 S
APPLICATION NO. : 29/328826
DATED : July 20, 2010
INVENTOR(S) : Courtney et al.

Page 1 of 6

It is certified that error appears in the above-identified patent and that said Letters Patent is hereby corrected as shown below:

The Title page;

The Title page, showing the illustrative figure, should be deleted and substitute therefor the attached Title page.

Delete figs. 1-8 and substitute therefor the drawing sheets, consisting of figs. 1-8 as shown on the attached pages.

Signed and Sealed this
Twentieth Day of September, 2011

A handwritten signature in black ink that reads "David J. Kappos". The signature is written in a cursive, slightly slanted style.

David J. Kappos
Director of the United States Patent and Trademark Office

(12) **United States Design Patent**
Courtney et al.

(10) **Patent No.:** **US D620,110 S**
(45) **Date of Patent:** **** Jul. 20, 2010**

(54) **INTERBODY FUSION DEVICE IMPLANT**

(75) Inventors: **Steve Courtney**, Plano, TX (US); **David Freehill**, Temple, TX (US)

(73) Assignee: **Eminent Spine LLC**, Georgetown, TX (US)

(**) **Term:** **14 Years**

(21) **Appl. No.:** **29/328,826**

(22) **Filed:** **Dec. 2, 2008**

(51) **LOC (9) Cl.** **24-03**

(52) **U.S. Cl.** **D24/155**

(58) **Field of Classification Search** D24/155 157;
606/60, 61, 73, 95, 213, 246, 248, 249; 623/17.11,
623/17.12, 17.13, 17.14, 17.15, 17.16, 23.61,
623/23.56, 247, 213, 11.11, 16.14, 20.23,
623/20.33, 33, 41

See application file for complete search history.

(56) **References Cited**

U.S. PATENT DOCUMENTS

| | | | |
|----------------|---------|----------------|-----------|
| D213,282 S | 1/1969 | Ring | |
| D242,827 S | 12/1976 | Elliott | |
| D245,259 S | 8/1977 | Shen | |
| D245,920 S | 9/1977 | Shen | |
| D248,771 S | 8/1978 | Groth et al. | |
| D248,772 S | 8/1978 | Groth et al. | |
| D291,003 S | 7/1987 | Huckstep | |
| D326,156 S | 5/1992 | Martinez | |
| D374,078 S | 9/1996 | Johnson et al. | |
| D377,095 S | 12/1996 | Michelson | |
| D397,439 S | 8/1998 | Koros et al. | |
| D411,009 S | 6/1999 | Asfora | |
| 6,245,108 B1 * | 6/2001 | Biscup | 623/17.11 |
| D450,121 S | 11/2001 | Anderson | |
| D458,373 S | 6/2002 | Jackson | |
| D472,633 S | 4/2003 | Anderson | |
| D472,634 S | 4/2003 | Anderson | |

| | | | |
|----------------|---------|----------------|-----------|
| D473,650 S | 4/2003 | Anderson | |
| 6,676,703 B2 * | 1/2004 | Biscup | 623/17.16 |
| D493,225 S | 7/2004 | Varga et al. | |
| D494,274 S | 8/2004 | Varga et al. | |
| D501,555 S | 2/2005 | Varga et al. | |
| D503,801 S | 4/2005 | Jackson | |
| 6,964,687 B1 * | 11/2005 | Bernard et al. | 623/17.16 |
| D524,443 S | 7/2006 | Blain | |
| D530,423 S * | 10/2006 | Miles et al. | D24/155 |
| 7,141,068 B2 * | 11/2006 | Ross et al. | 623/17.11 |
| D533,277 S | 12/2006 | Blain | |
| D539,934 S | 4/2007 | Blain | |
| D541,940 S | 5/2007 | Blain | |
| 7,229,477 B2 * | 6/2007 | Biscup | 623/17.11 |
| D553,742 S * | 10/2007 | Park | D24/155 |
| 7,309,358 B2 * | 12/2007 | Berry et al. | 623/17.16 |
| 7,458,988 B2 * | 12/2008 | Trieu et al. | 623/17.13 |
| 7,641,690 B2 * | 1/2010 | Abdou | 623/17.11 |

* cited by examiner

Primary Examiner—Charles A Rademaker

(74) *Attorney, Agent, or Firm*—Scott T. Griggs; Griggs Bergen LLP

(57) **CLAIM**

The ornamental design for an interbody fusion device implant, as shown and described.

DESCRIPTION

FIG. 1 is a front perspective view of an interbody fusion device implant illustrating the design;

FIG. 2 is a rear perspective view thereof;

FIG. 3 is a front elevation view thereof;

FIG. 4 is a rear elevation view thereof;

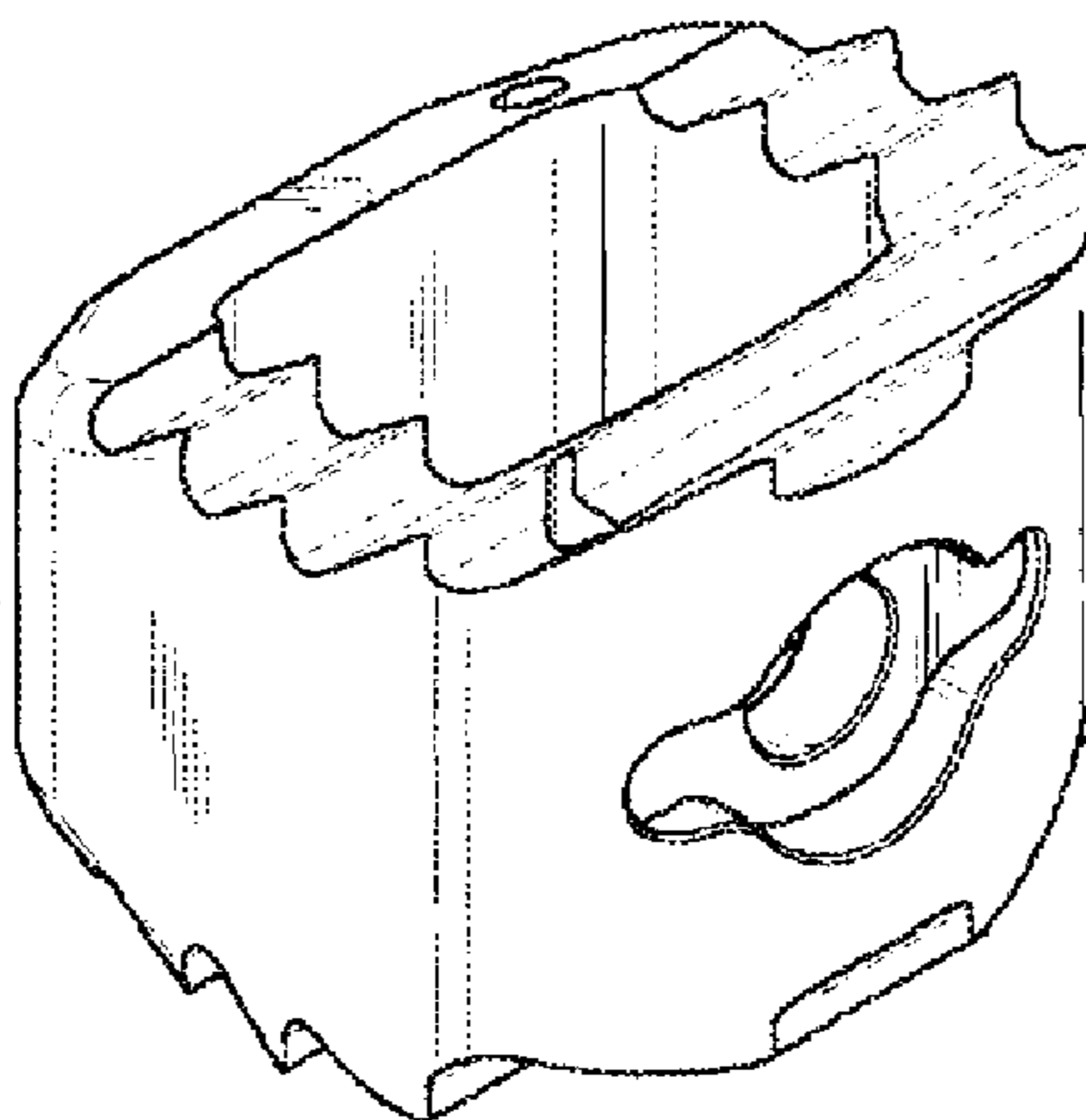
FIG. 5 is a right-side elevation view thereof;

FIG. 6 is a left-side elevation view thereof;

FIG. 7 is a top plan view thereof; and,

FIG. 8 is a bottom plan view thereof.

1 Claim, 4 Drawing Sheets



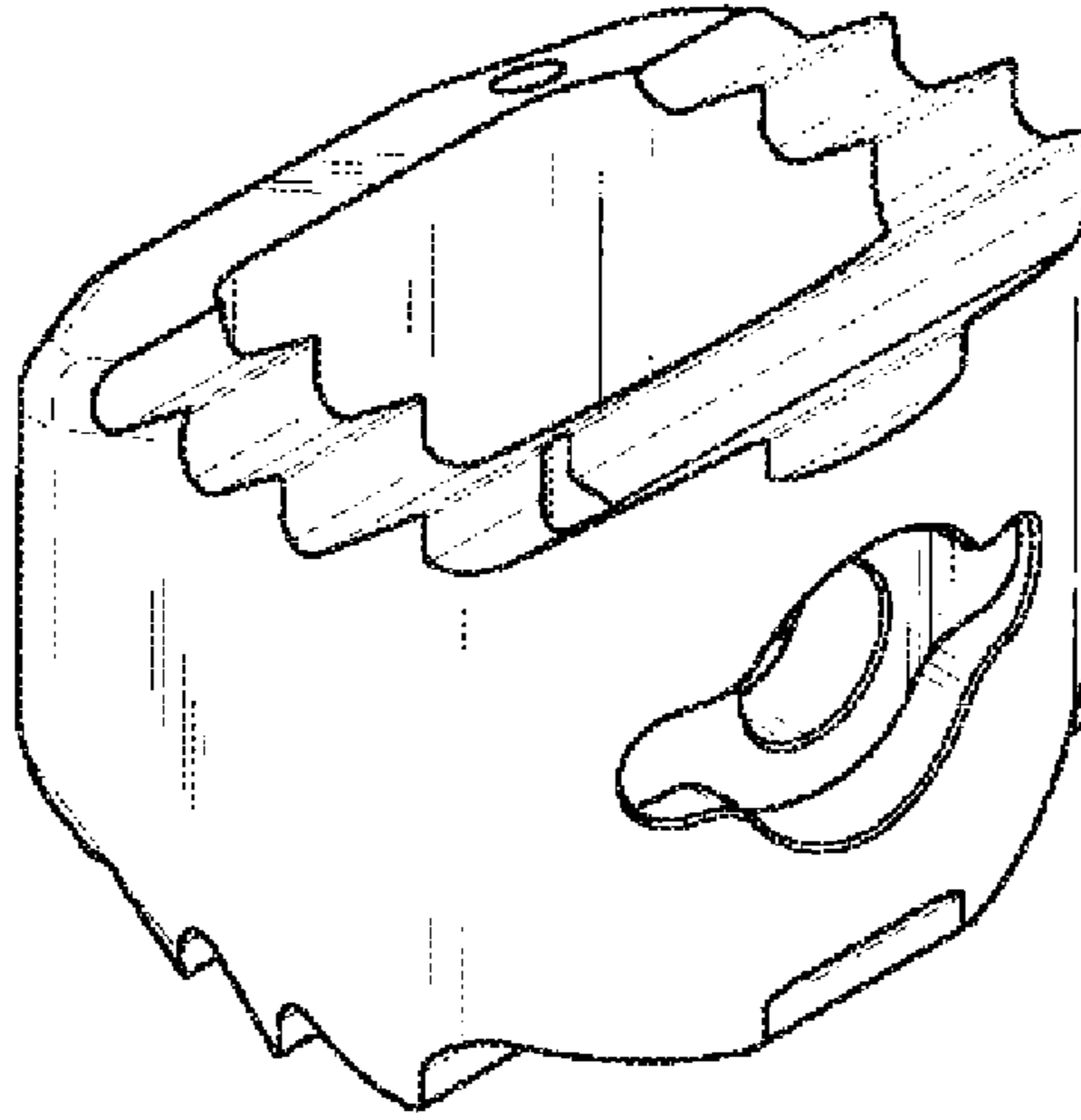


FIG. 1

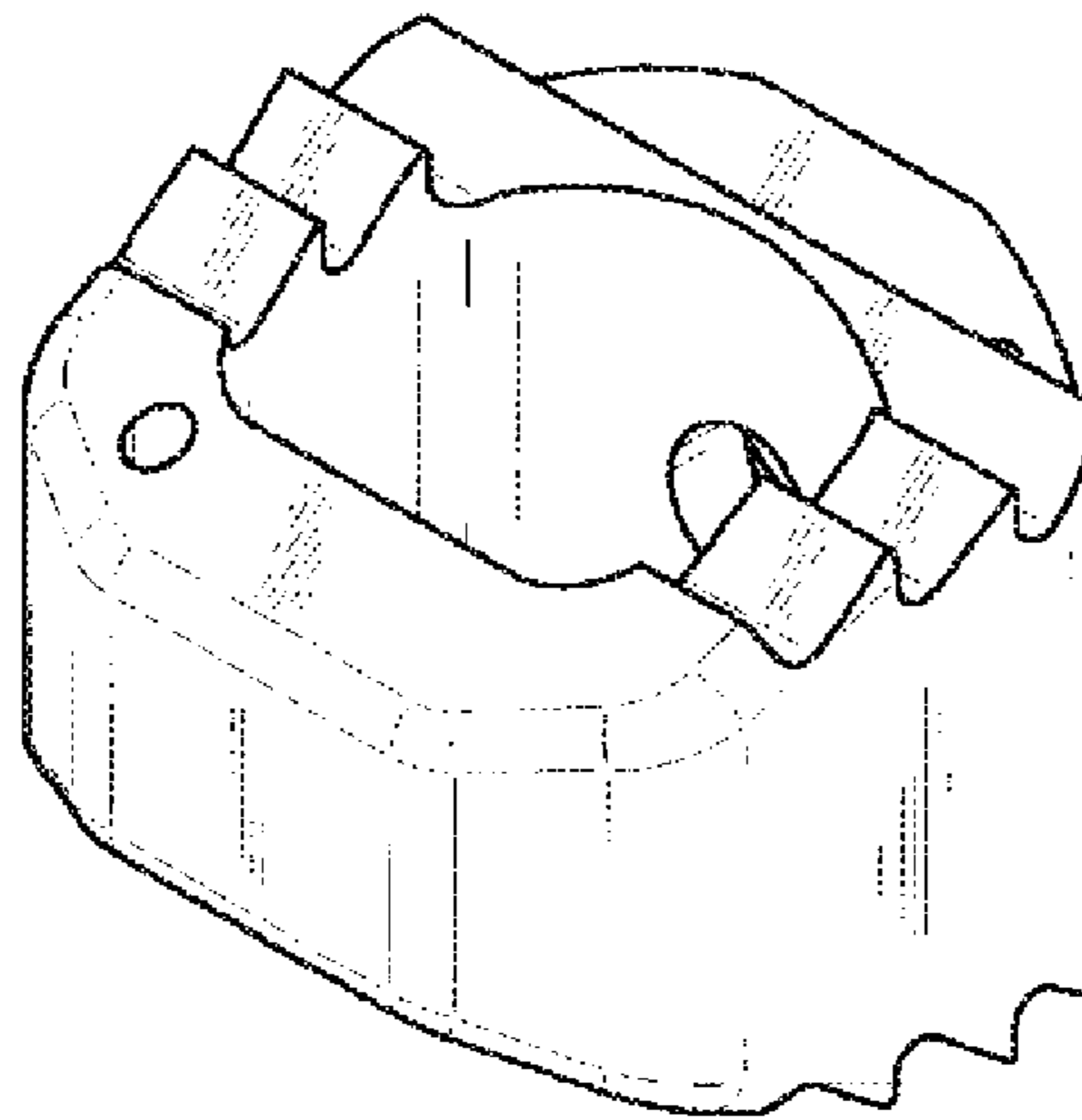


FIG. 2

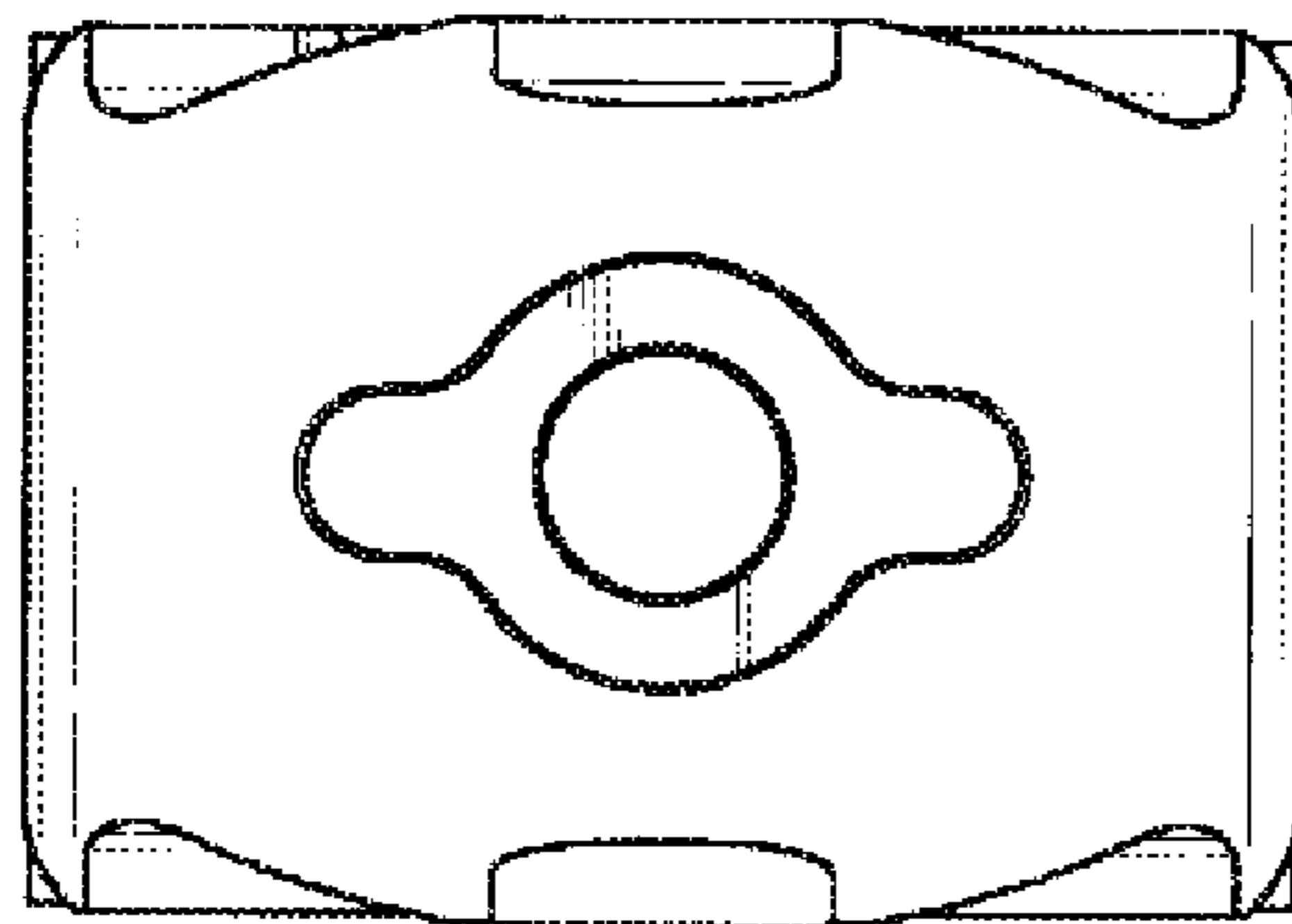


FIG. 3

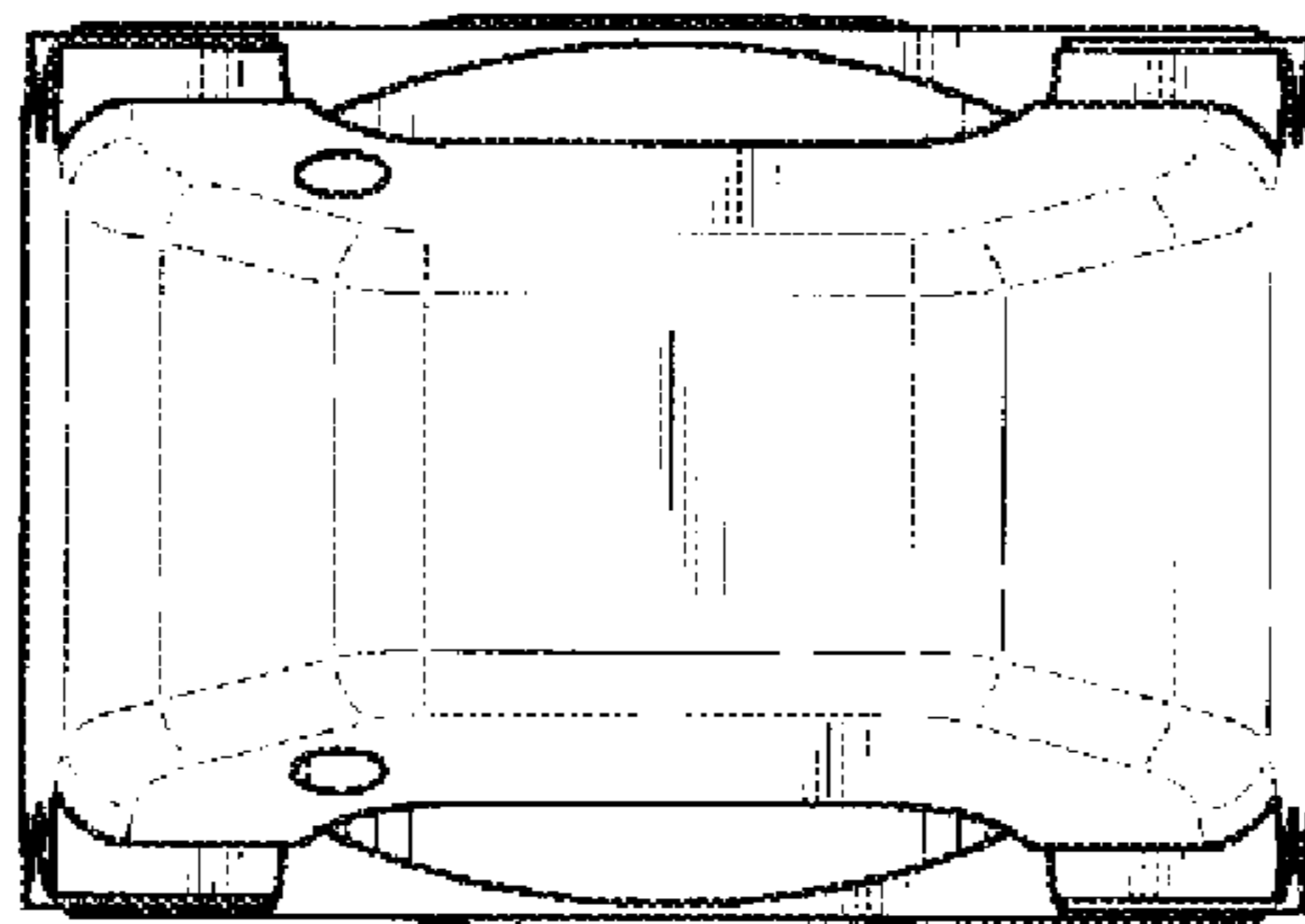


FIG. 4

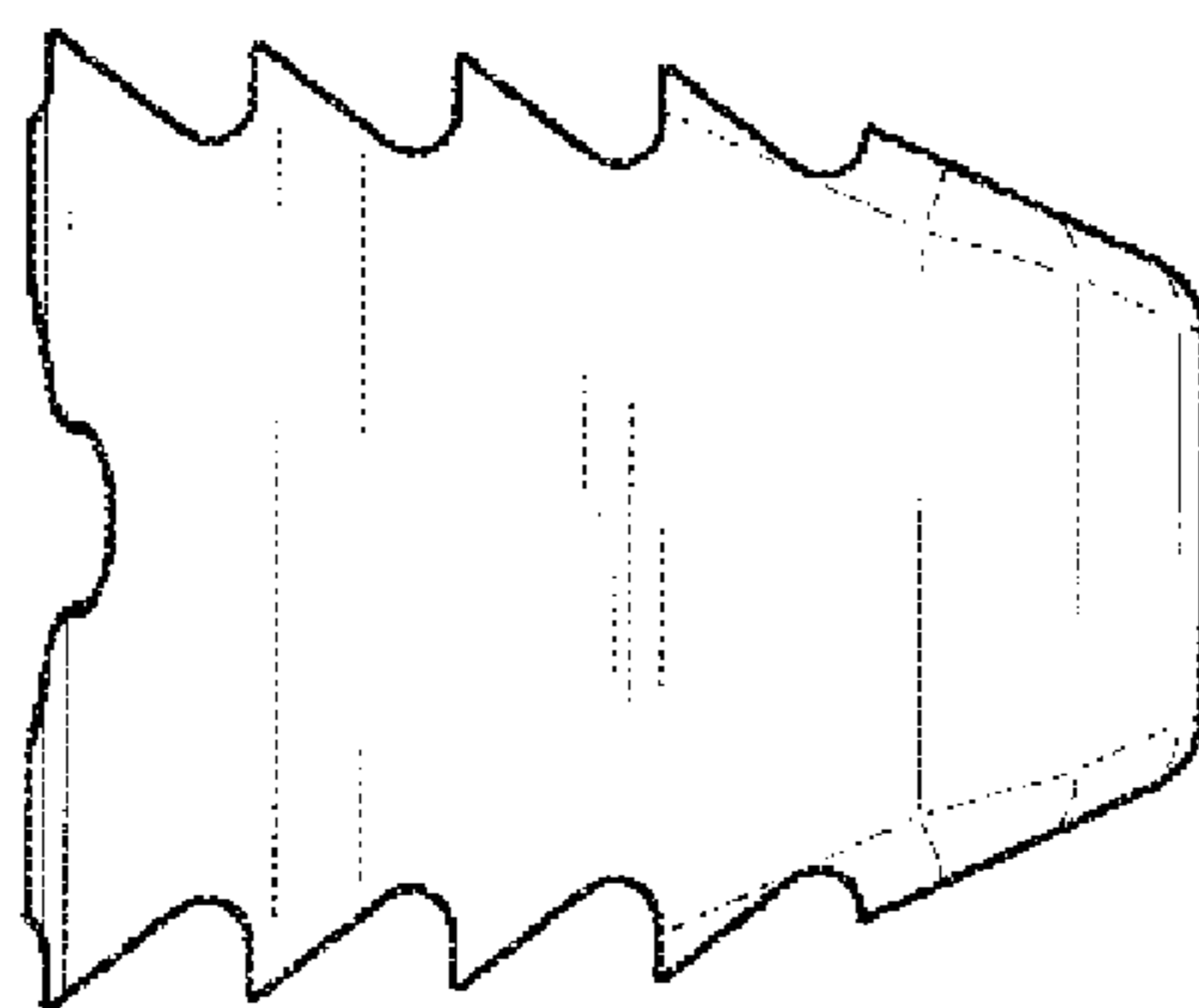


FIG. 5

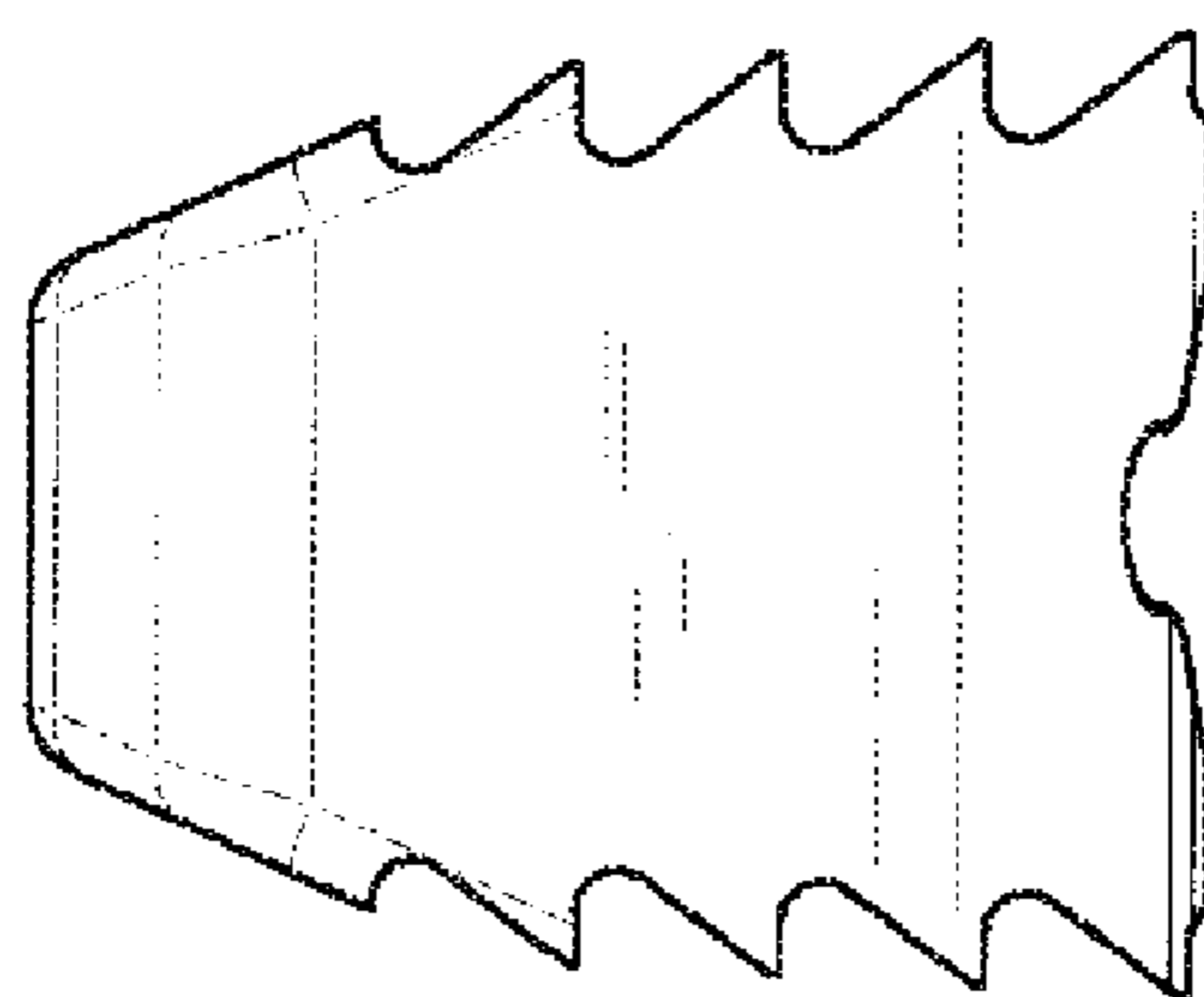


FIG. 6

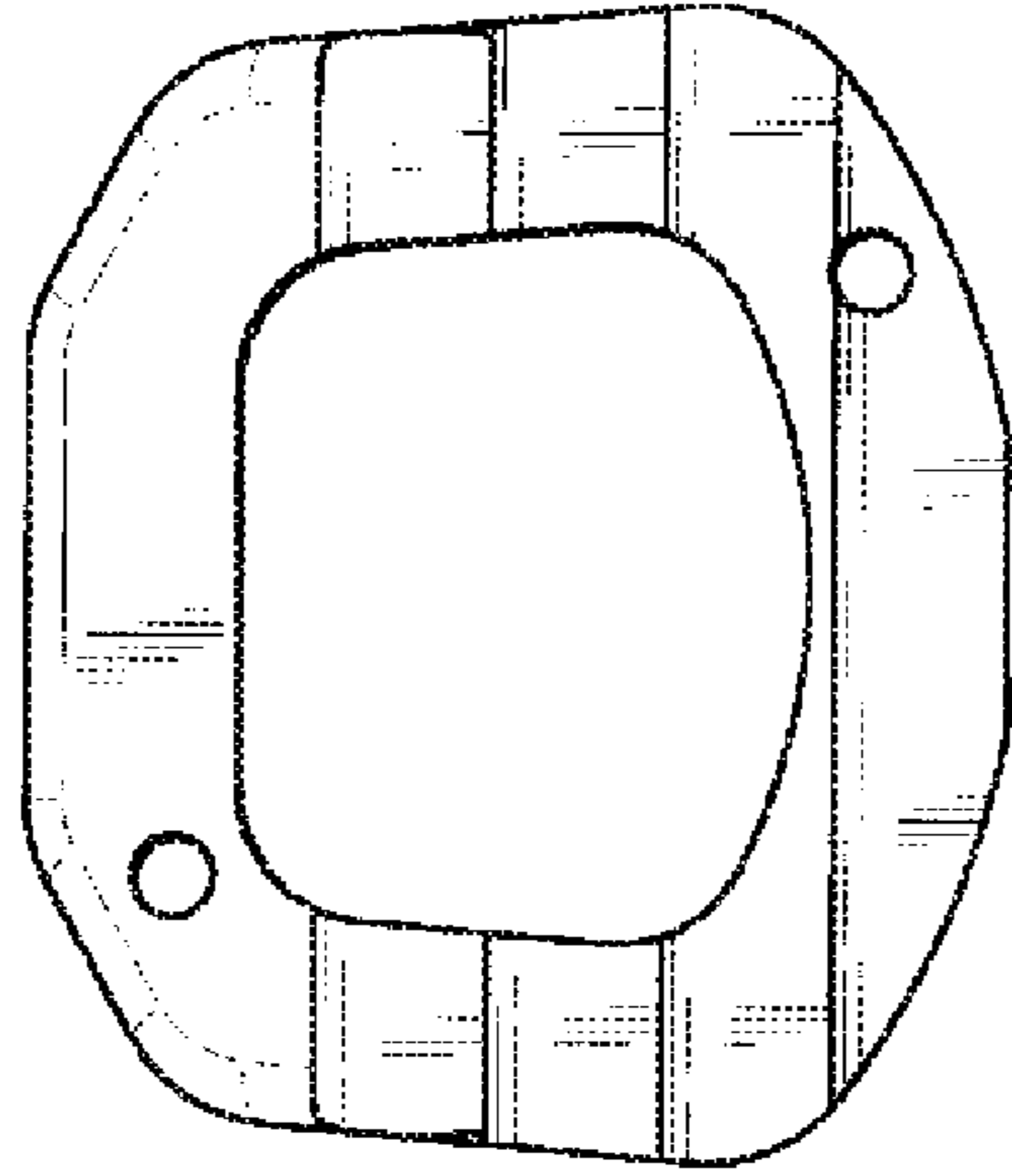


FIG. 7

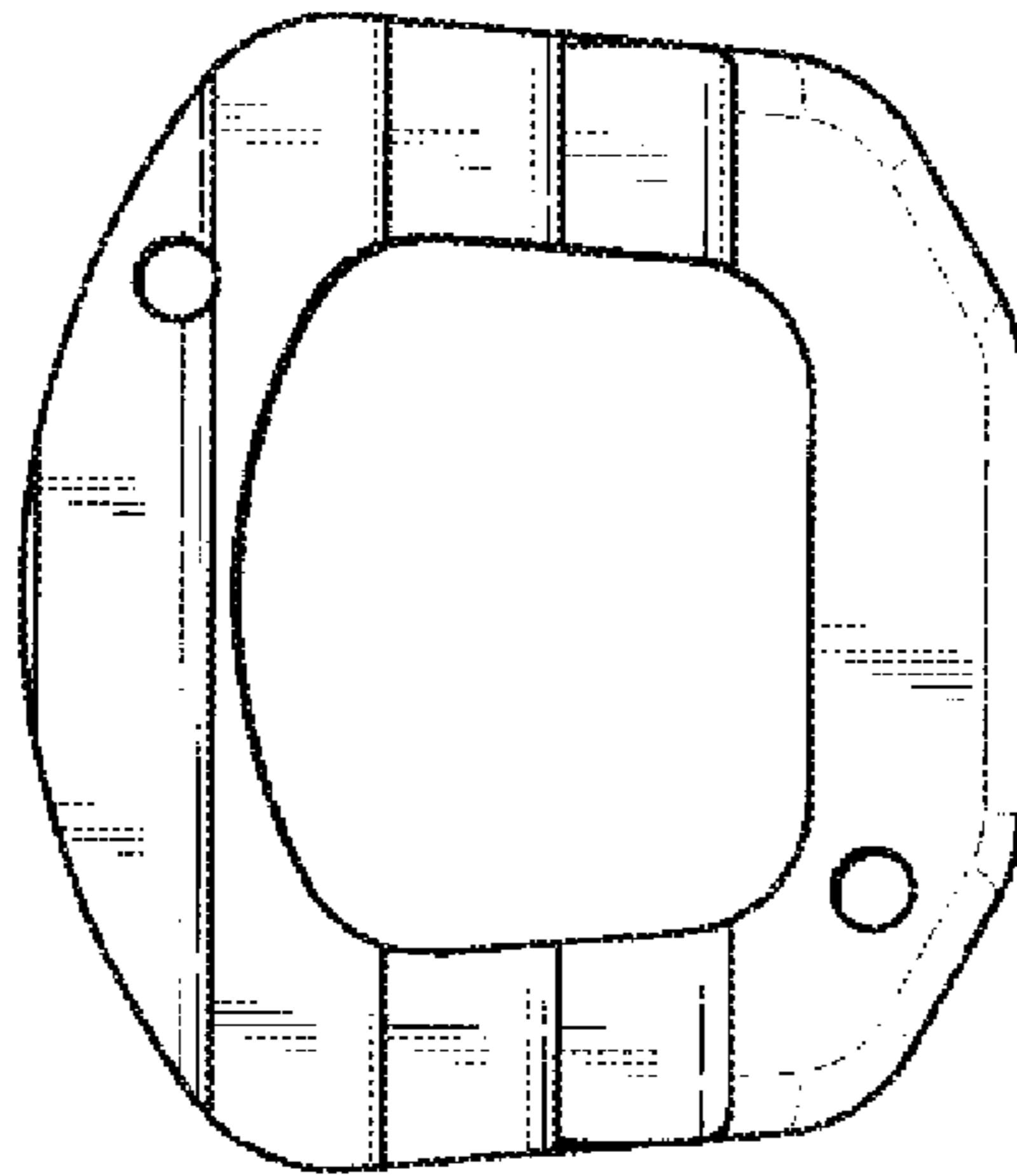


FIG. 8