



US00D620108S

(12) **United States Design Patent**  
**Eitenmueller et al.**

(10) **Patent No.:** **US D620,108 S**  
(45) **Date of Patent:** **\*\* Jul. 20, 2010**

(54) **MEDICAL INSTRUMENT FOR COAGULATION OF TISSUE**

(75) Inventors: **Juergen P. Eitenmueller**,  
Castrop-Rauxel (DE); **Uwe Bacher**,  
Tuttlingen (DE)

(73) Assignee: **Karl Storz GmbH & Co. KG** (DE)

(\*\*) Term: **14 Years**

(21) Appl. No.: **29/326,907**

(22) Filed: **Oct. 27, 2008**

(30) **Foreign Application Priority Data**

Apr. 25, 2008 (EM) ..... 000924741

(51) **LOC (9) Cl.** ..... **24-02**

(52) **U.S. Cl.** ..... **D24/144; D24/133; D24/146**

(58) **Field of Classification Search** ..... D24/112,  
D24/133, 140, 144, 146-147, 138; 606/37-41,  
606/45-50, 170, 172, 184; 604/104, 114  
See application file for complete search history.

(56) **References Cited**

**U.S. PATENT DOCUMENTS**

3,076,457 A \* 2/1963 Copen ..... D24/112  
D318,733 S \* 7/1991 Wyzgala ..... D24/112  
D342,136 S \* 12/1993 Lafferty et al. .... D24/138  
D355,031 S \* 1/1995 Yoshikawa ..... D24/112  
D426,635 S \* 6/2000 Haberland et al. .... D24/146  
D496,728 S \* 9/2004 Holsinger ..... D24/112

D533,941 S \* 12/2006 Furst et al. .... D24/138  
D558,339 S \* 12/2007 Christopher et al. .... D24/112  
D559,980 S \* 1/2008 Rehbein et al. .... D24/133  
2009/0018540 A1 \* 1/2009 Eitenmueller ..... 606/50  
2009/0018568 A1 \* 1/2009 Bacher ..... 606/170

\* cited by examiner

*Primary Examiner*—Ian Simmons

*Assistant Examiner*—Wan Laymon

(74) *Attorney, Agent, or Firm*—St. Onge Steward Johnston & Reens LLC

(57) **CLAIM**

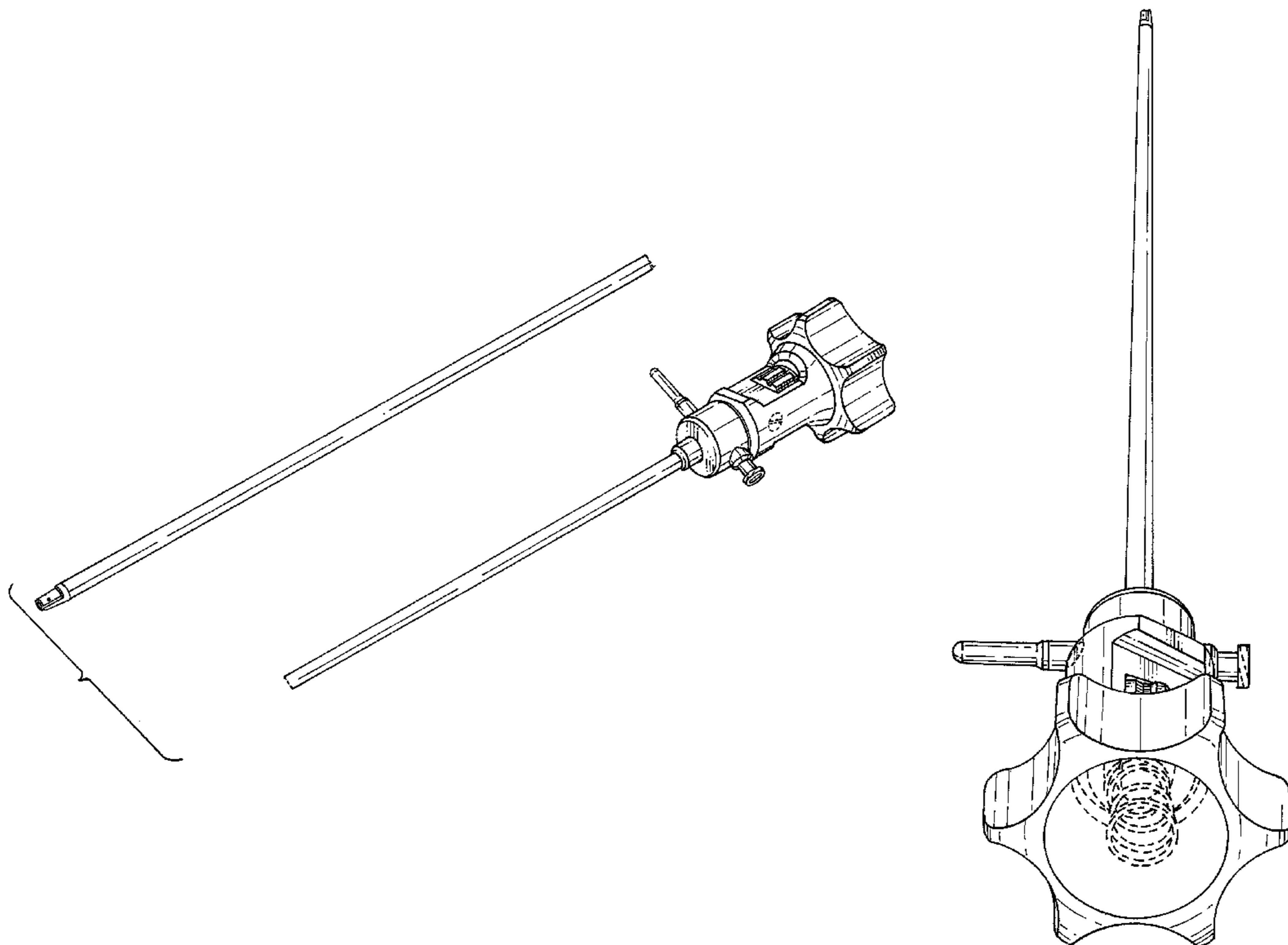
The ornamental design for a medical instrument for coagulation of tissue, as shown and described.

**DESCRIPTION**

FIG. 1 is a side left perspective view of a medical instrument for coagulation of tissue in accordance with the new design; FIG. 2 is a left side view thereof; FIG. 3 is a right side view thereof; FIG. 4 is a top left view thereof; FIG. 5 is a top right view thereof; FIG. 6 is an enlarged front view thereof; and, FIG. 7 is an enlarged rear view thereof.

FIGS. 1-6 show a break indicating no particular length. The broken line showing in FIGS. 1-7 is included for the purpose of illustrating portions of the medical instrument for coagulation of tissue that form no part of the claimed design.

**1 Claim, 7 Drawing Sheets**



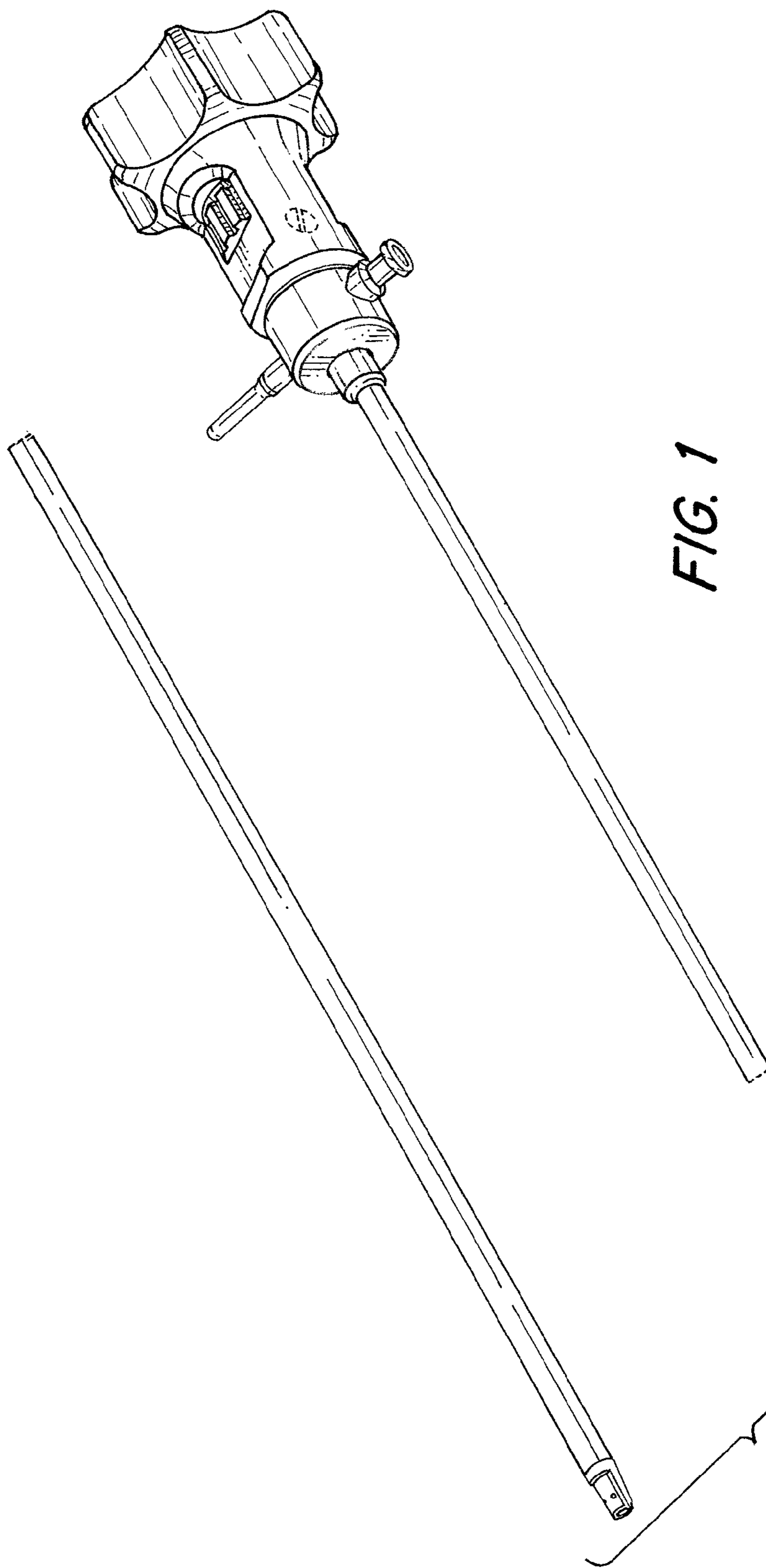


FIG. 1

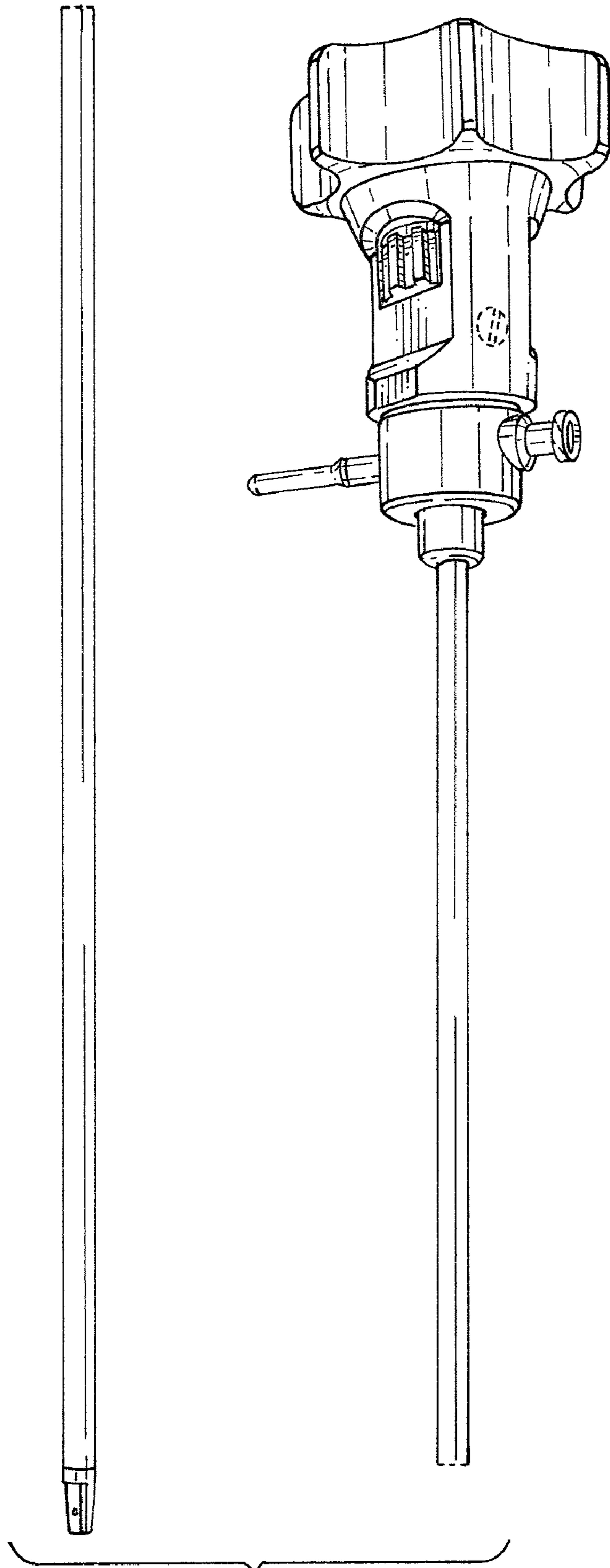


FIG. 2

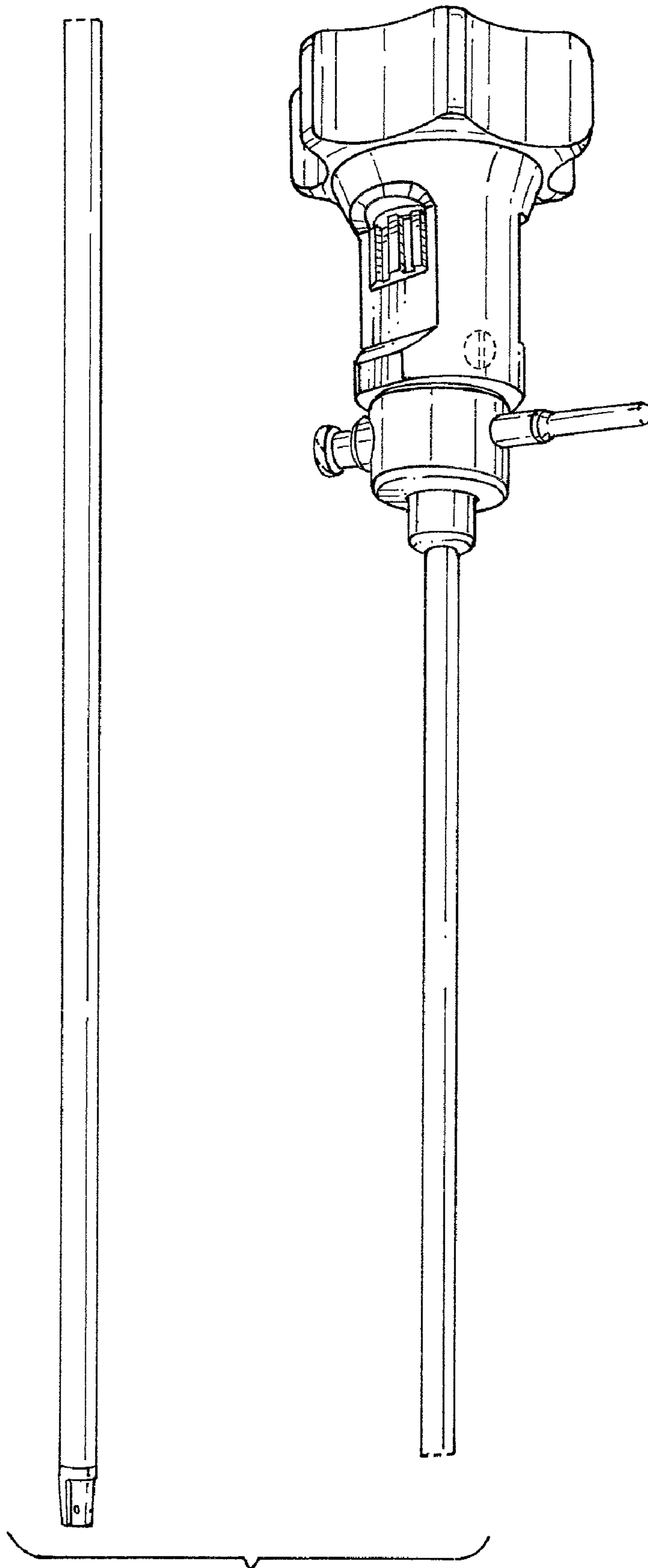


FIG. 3

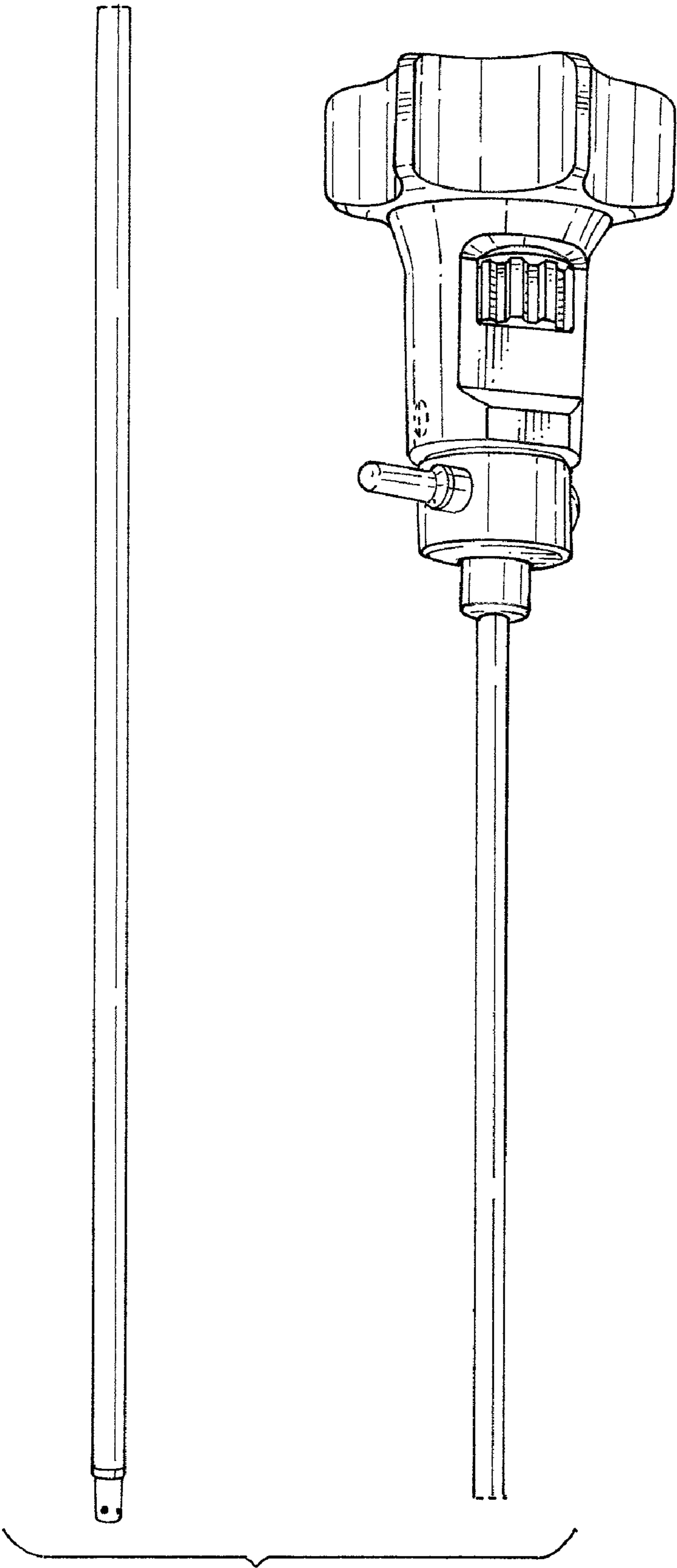


FIG. 4

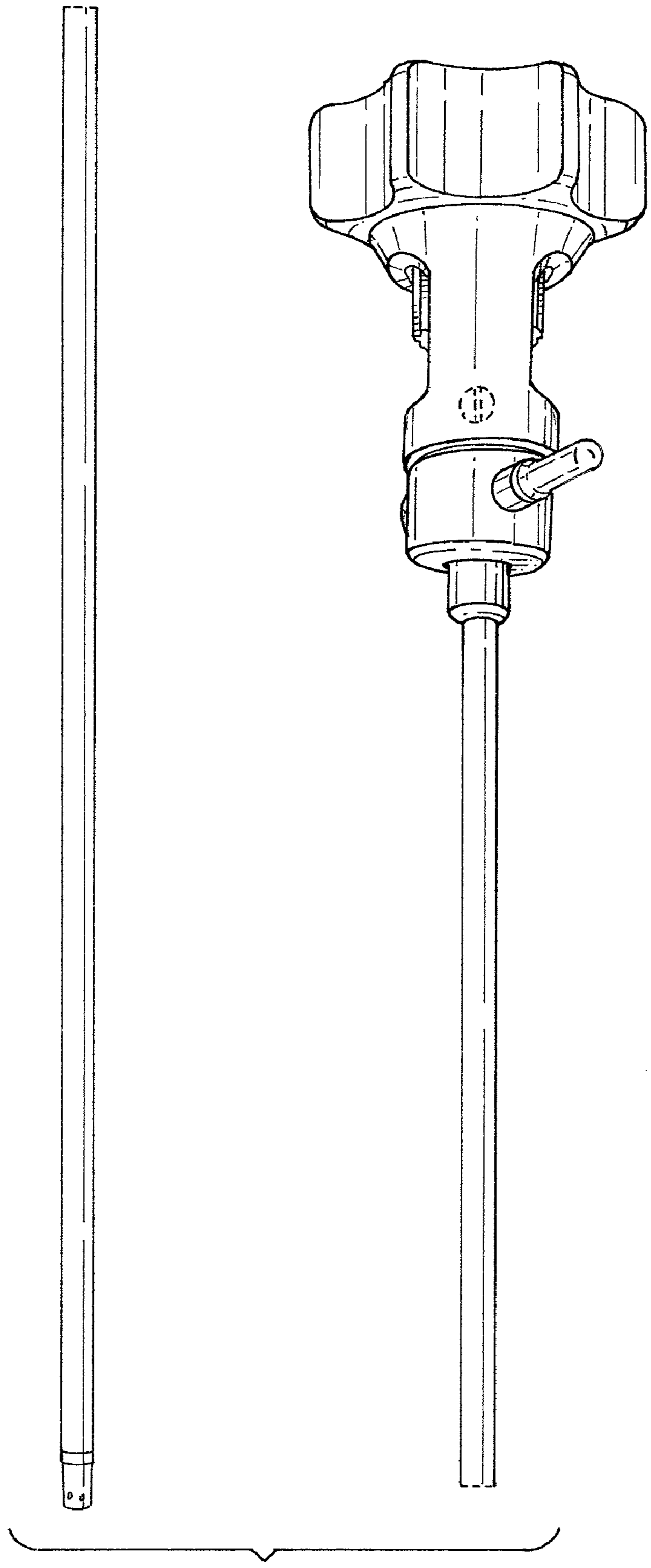


FIG. 5

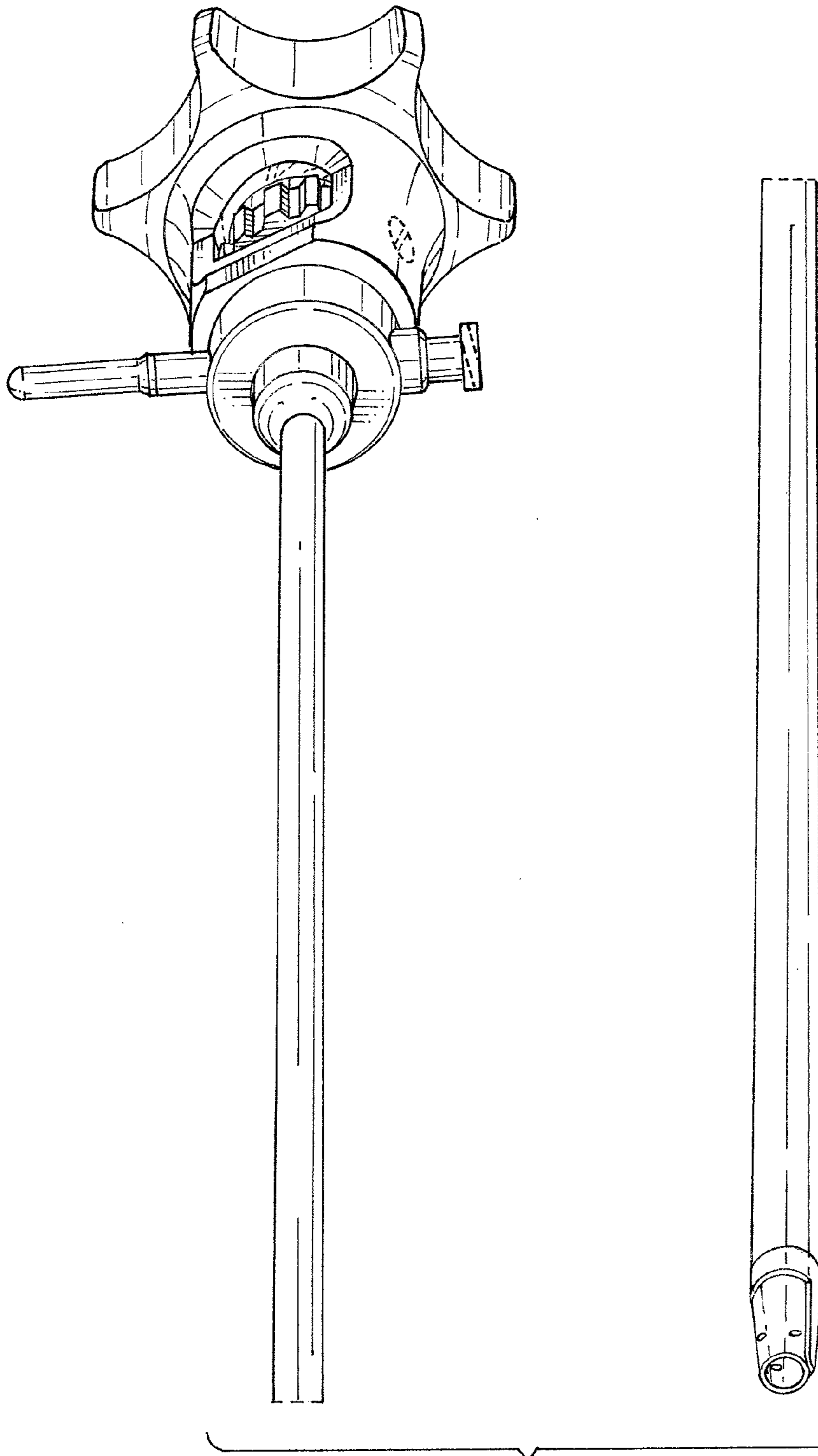
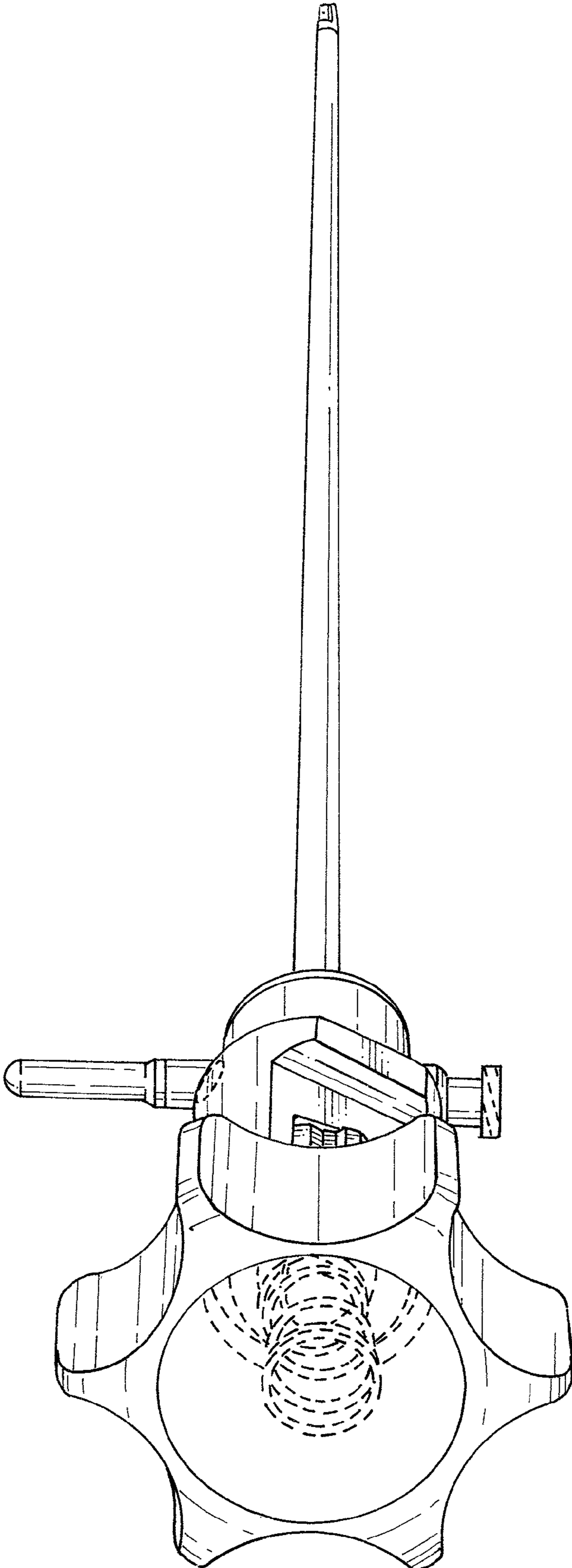


FIG. 6



*FIG. 7*