



US00D620107S

(12) **United States Design Patent**
Bartlett et al.

(10) **Patent No.:** **US D620,107 S**
(45) **Date of Patent:** **** Jul. 20, 2010**

(54) **ENDOSCOPE SHEATH ASSEMBLY**

(75) Inventors: **James Alastair Louis Bartlett**,
Abbeymead (GB); **Gary Victor Louis Warner**,
Malmesbury (GB); **Neil Brian Cant**,
Addeydale (GB)

(73) Assignee: **Q Park Medical Limited** (GB)

(**) Term: **14 Years**

(21) Appl. No.: **29/304,696**

(22) Filed: **Mar. 6, 2008**

(30) **Foreign Application Priority Data**

Sep. 17, 2007 (EM) 000793393

(51) **LOC (9) Cl.** **24-02**

(52) **U.S. Cl.** **D24/138; D24/112**

(58) **Field of Classification Search** D24/130,
D24/133, 137-138, 112, 107, 129, 144, 146;
385/117; 600/132, 134, 160, 131, 142, 459,
600/461, 135, 156, 153, 101, 164, 129, 210,
600/104, 106, 121, 127, 123, 186, 566, 567;
604/158-159, 164.08, 165.02, 165.03, 174,
604/177, 192, 198, 263, 164.01, 167.06,
604/523

See application file for complete search history.

(56) **References Cited**

U.S. PATENT DOCUMENTS

3,598,108 A * 8/1971 Jamshidi et al. 600/567

(Continued)

Primary Examiner—Ian Simmons

Assistant Examiner—Wan Laymon

(74) *Attorney, Agent, or Firm*—Mark J. Nahnsen; Barnes &
Thornburg LLP

(57) **CLAIM**

The ornamental design for an endoscope sheath assembly, as shown and described.

DESCRIPTION

FIG. 1 is a front elevational view of the endoscope sheath assembly;

FIG. 2 is a side elevational view thereof;

FIG. 3 is an enlarged top plan view thereof;

FIG. 4 is a bottom plan view thereof;

FIG. 5 is a perspective view thereof;

FIG. 6 is an enlarged perspective view of the proximal end of the endoscope sheath assembly;

FIG. 7 is a perspective view of the inner portion of the endoscope sheath assembly with the cover removed for ease of illustration;

FIG. 8 is a front elevational view of the proximal end thereof;

FIG. 9 is a side elevational view of the proximal end thereof;

FIG. 10 is a top plan view of the proximal end thereof;

FIG. 11 is an enlarged bottom plan view of the proximal end thereof;

FIG. 12 is another perspective view of the proximal end of the endoscope sheath assembly;

FIG. 13 is an enlarged front plan view of the proximal connector for the endoscope sheath assembly;

FIG. 14 is a side elevational view of the proximal connector thereof;

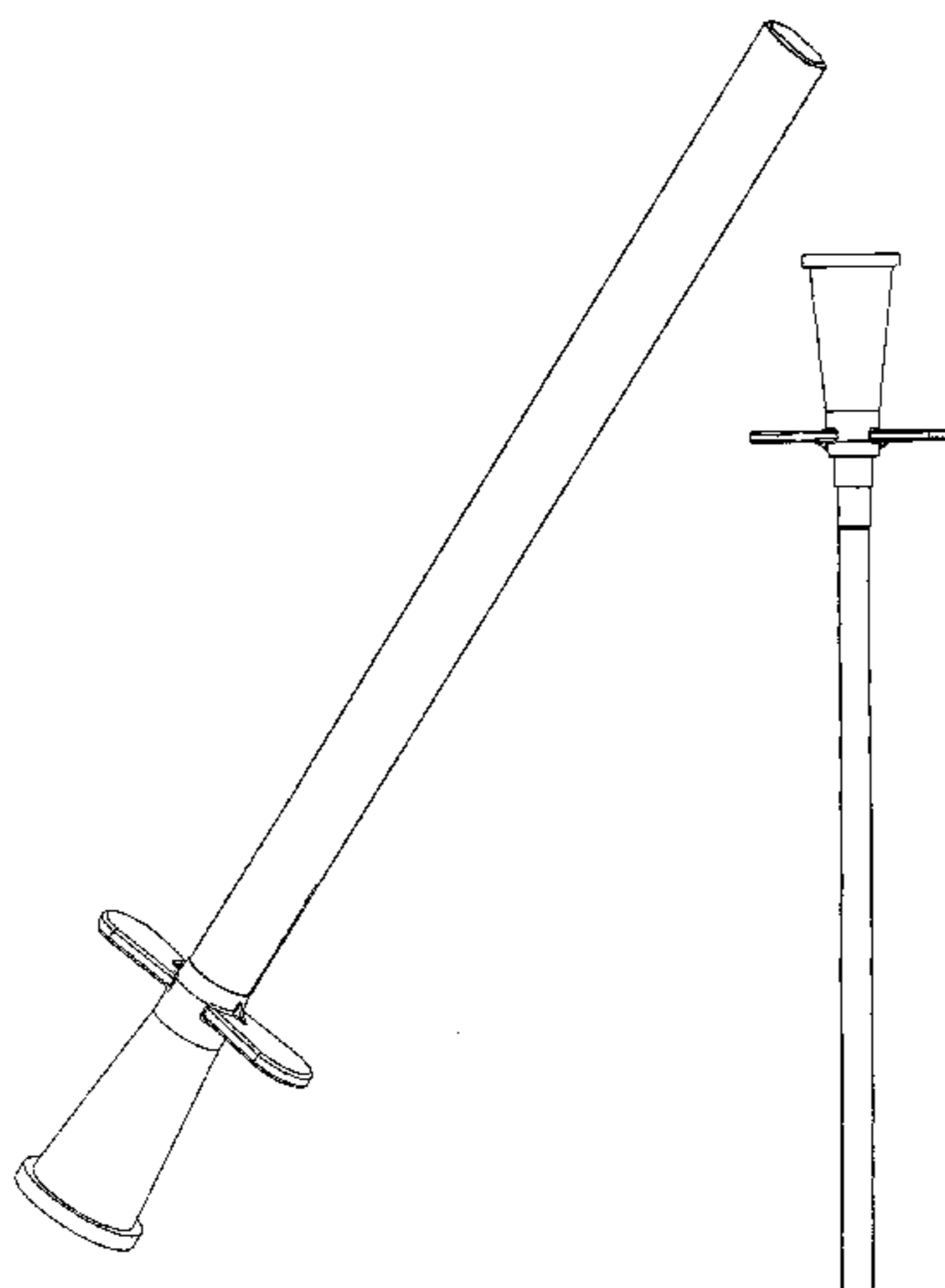
FIG. 15 is an enlarged top plan view of the proximal connector thereof;

FIG. 16 is an enlarged bottom plan view of the proximal connector thereof; and,

FIG. 17 is an enlarged perspective view of the proximal connector thereof.

The broken line showing portion of an endoscope sheath assembly is included for illustrating environmental structure and forms no part of the claimed design.

1 Claim, 17 Drawing Sheets



US D620,107 S

Page 2

U.S. PATENT DOCUMENTS

4,964,854	A *	10/1990	Luther	D24/112	6,443,910	B1 *	9/2002	Krueger et al.	600/567
5,098,392	A *	3/1992	Fleischhacker et al.	D24/130	6,482,180	B2 *	11/2002	Toyokawa et al.	604/165.03
5,246,426	A *	9/1993	Lewis et al.	604/168.01	D469,871	S *	2/2003	Sand	D24/133
5,370,623	A *	12/1994	Kreamer	604/165.02	D482,787	S *	11/2003	Reiss	D24/146
5,480,389	A *	1/1996	McWha et al.	604/165.02	D506,548	S *	6/2005	Andrews et al.	D24/130
D395,501	S *	6/1998	Erskine et al.	D24/112	7,179,244	B2 *	2/2007	Smith et al.	604/164.08
5,846,226	A *	12/1998	Urmey	604/158	D573,256	S *	7/2008	Mauch	D24/130
5,871,470	A *	2/1999	McWha	604/158	D593,679	S *	6/2009	Bartlett et al.	D24/130
6,059,758	A *	5/2000	Padilla et al.	604/263	2006/0116690	A1 *	6/2006	Pagano	606/93
D430,290	S *	8/2000	Cindrich et al.	D24/112	2007/0213633	A1 *	9/2007	McClellan	600/567
6,332,874	B1 *	12/2001	Eliassen et al.	604/174	2007/0250011	A1 *	10/2007	Lee	604/165.03
						2008/0058721	A1 *	3/2008	Hanagasaki	604/158

* cited by examiner

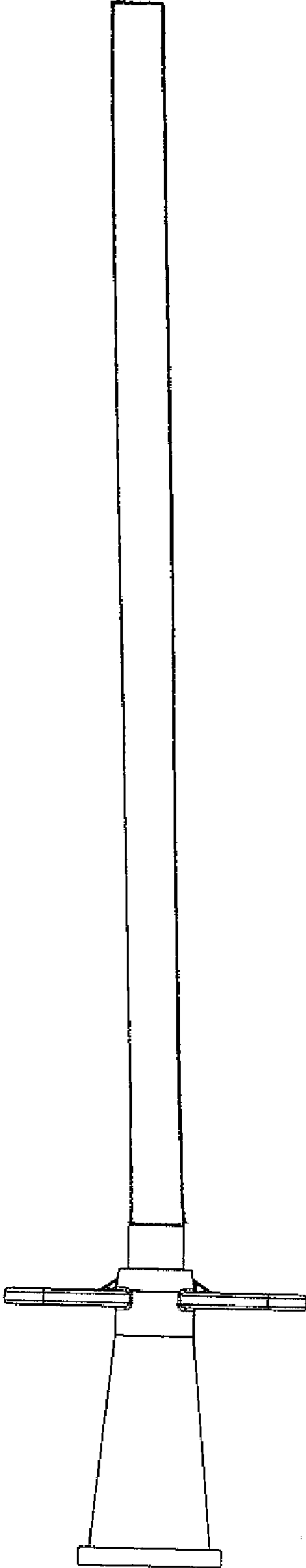


Figure 1

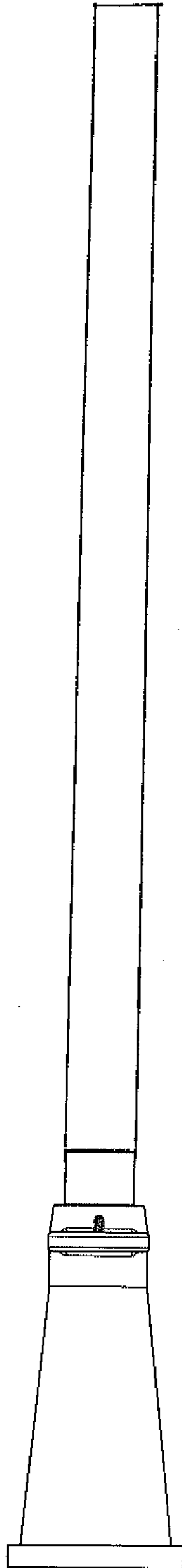


Figure 2

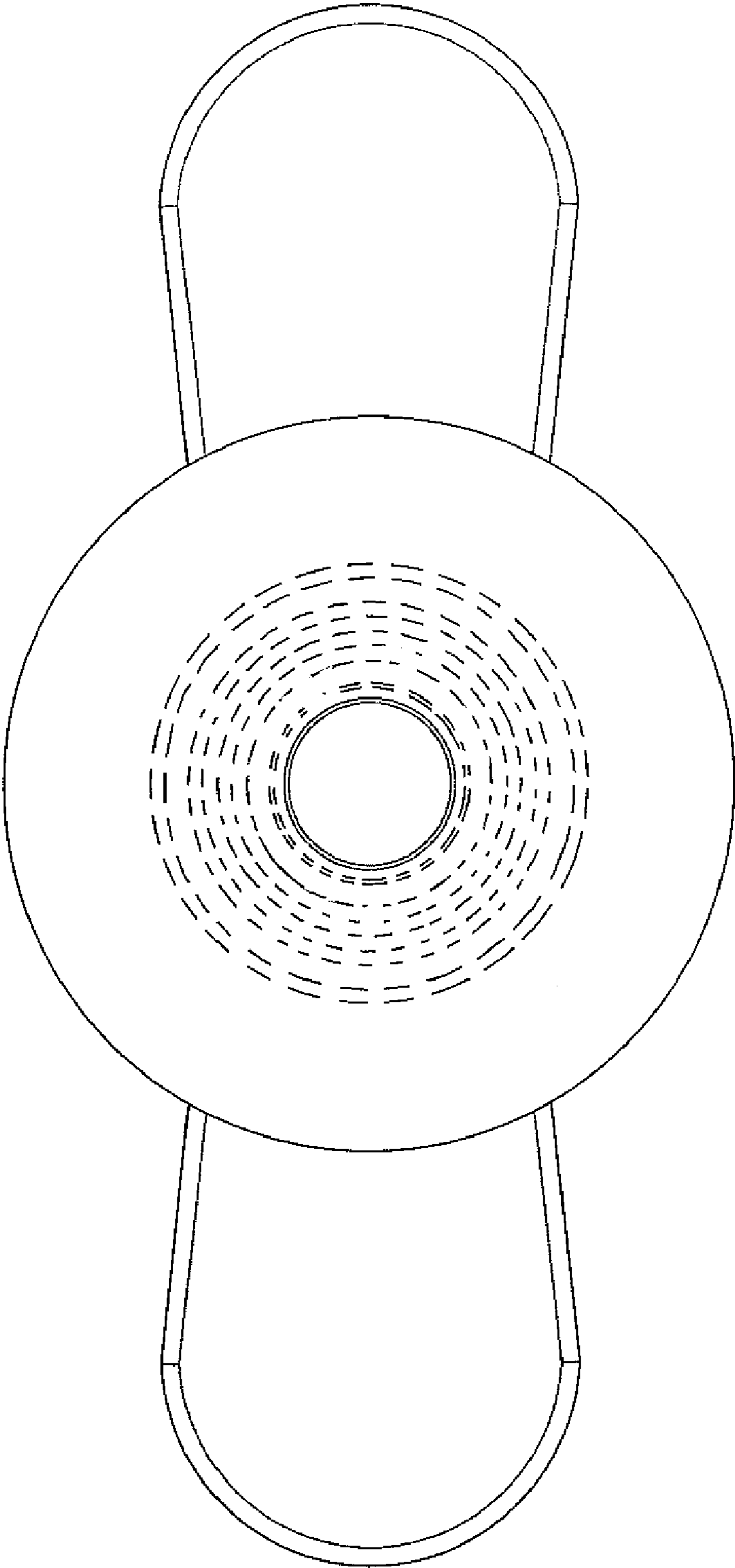


Figure 3

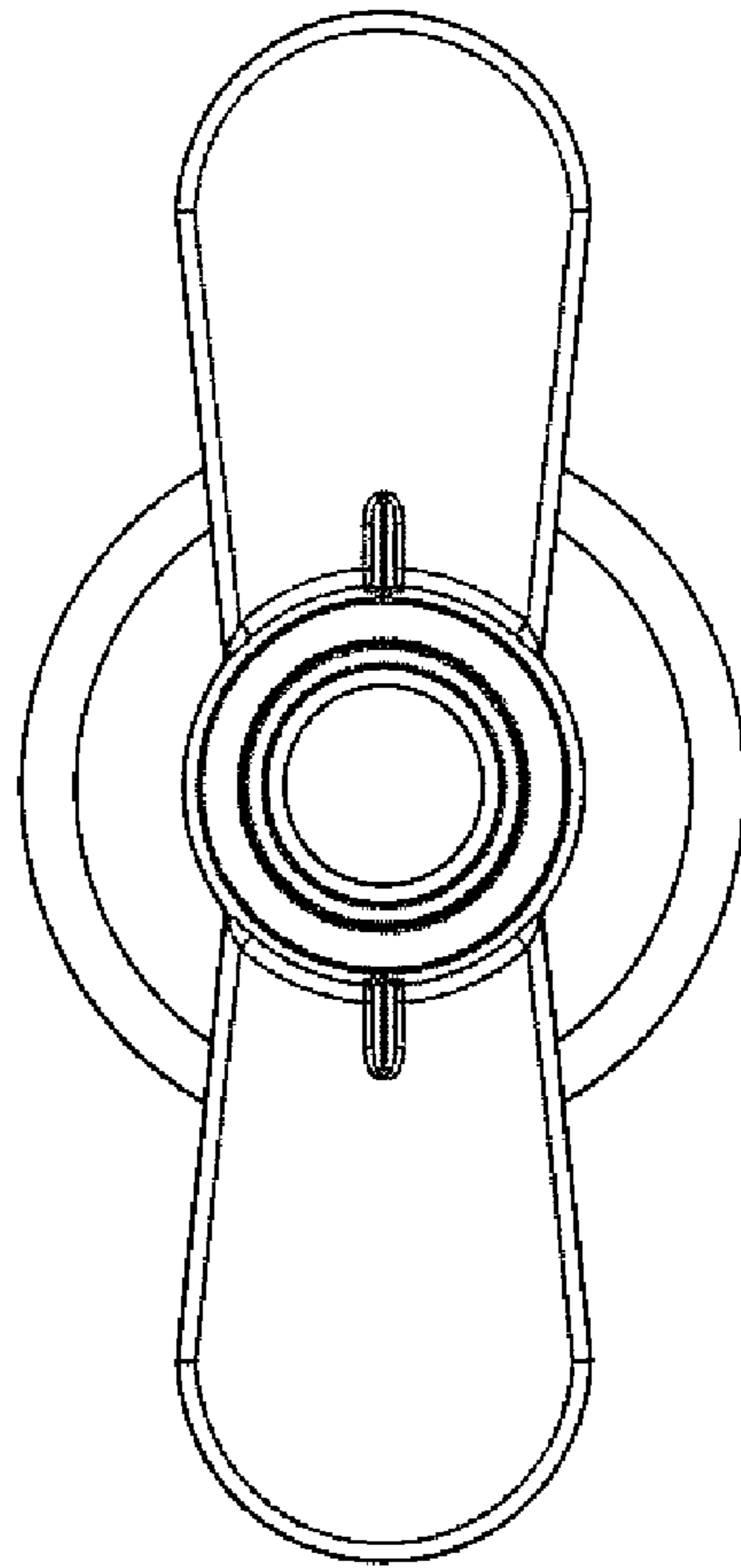


Figure 4

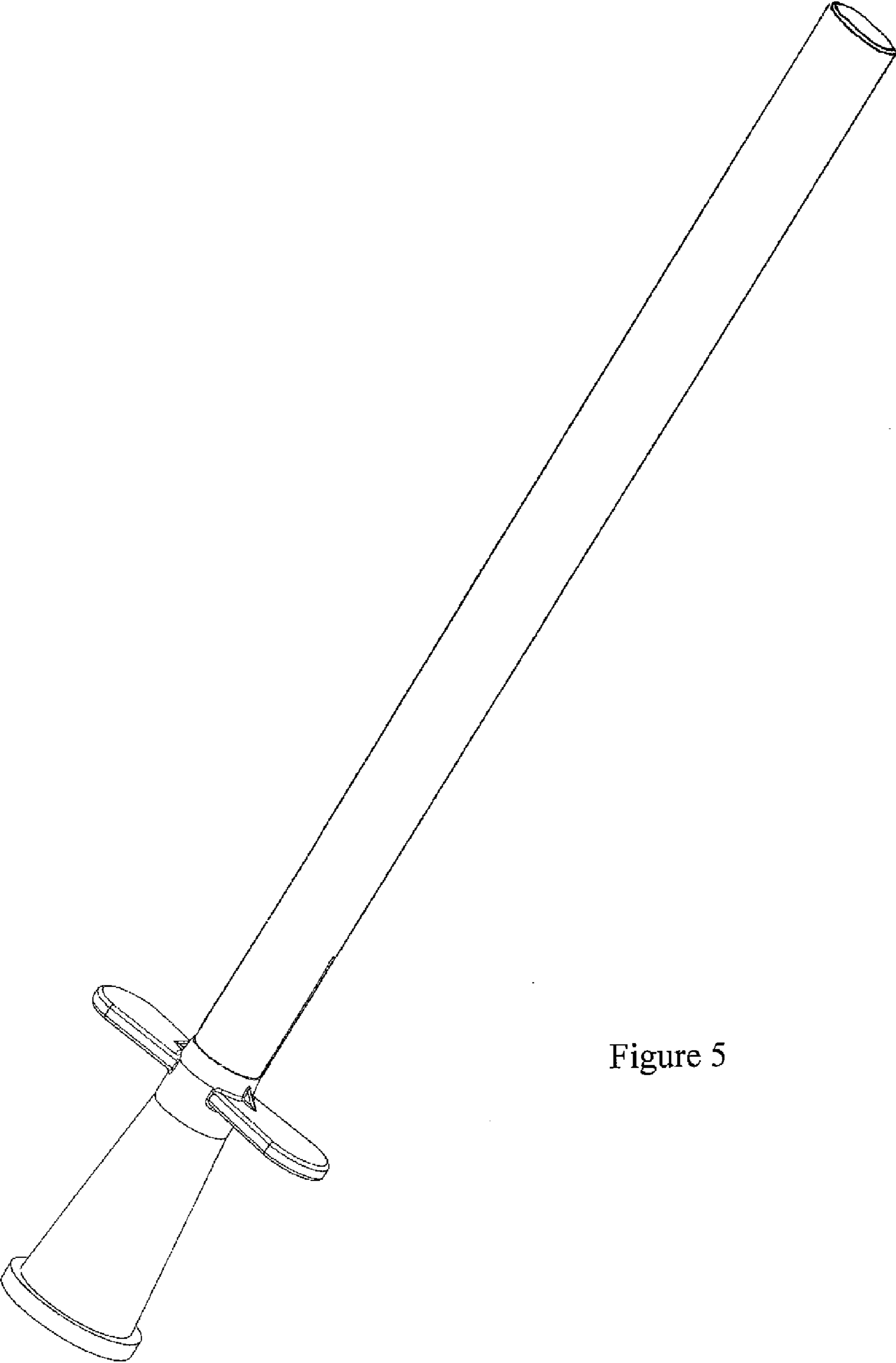


Figure 5

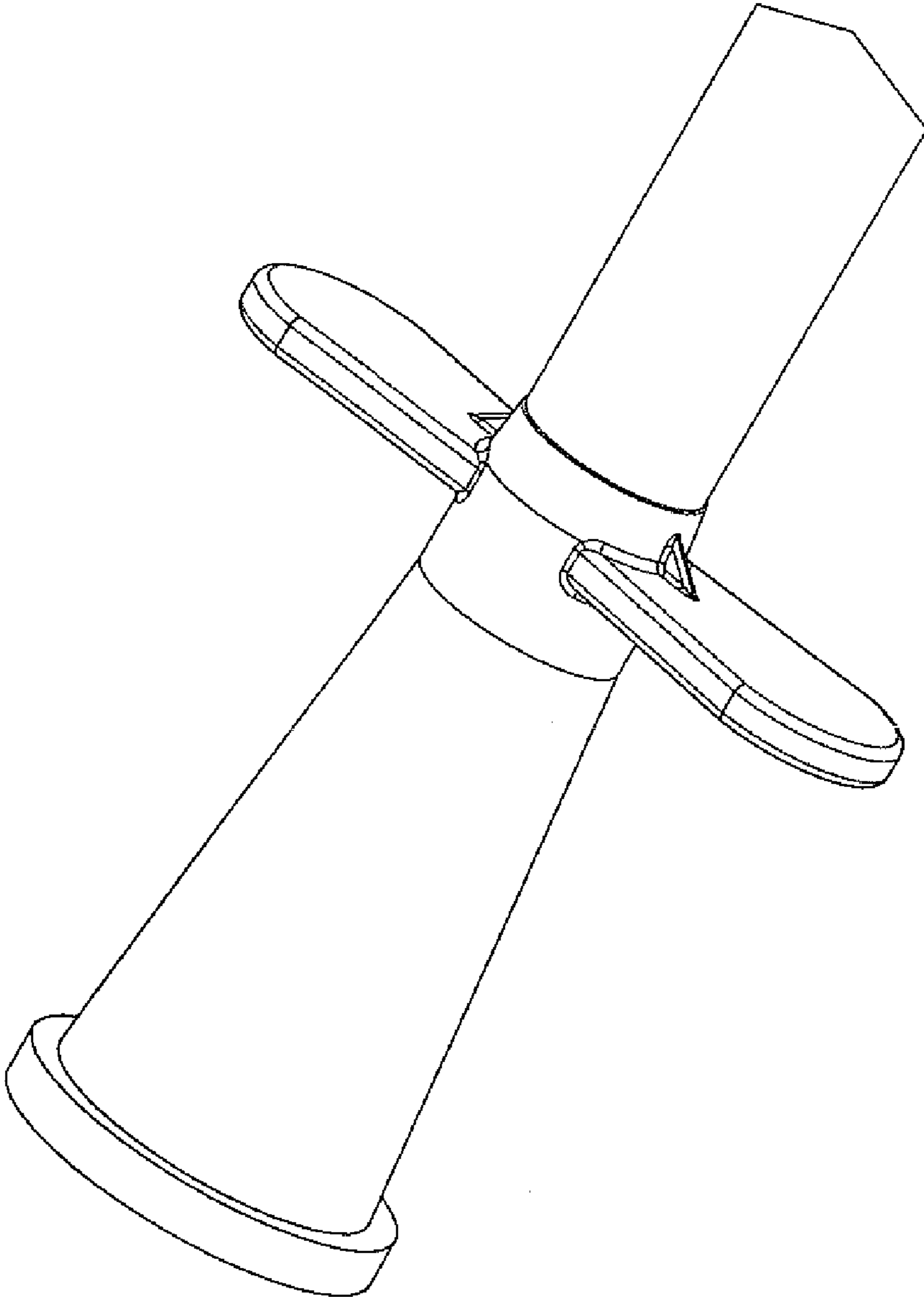


Figure 6

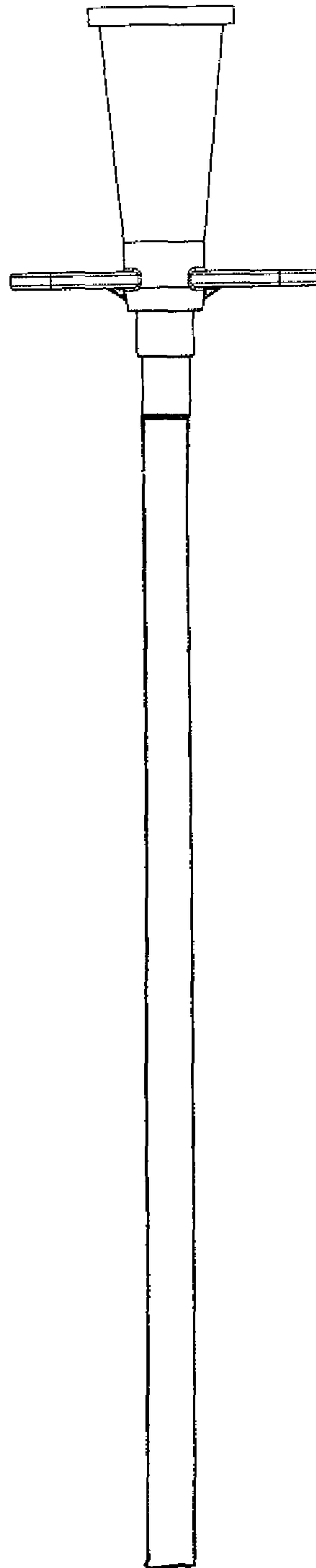


Figure 7

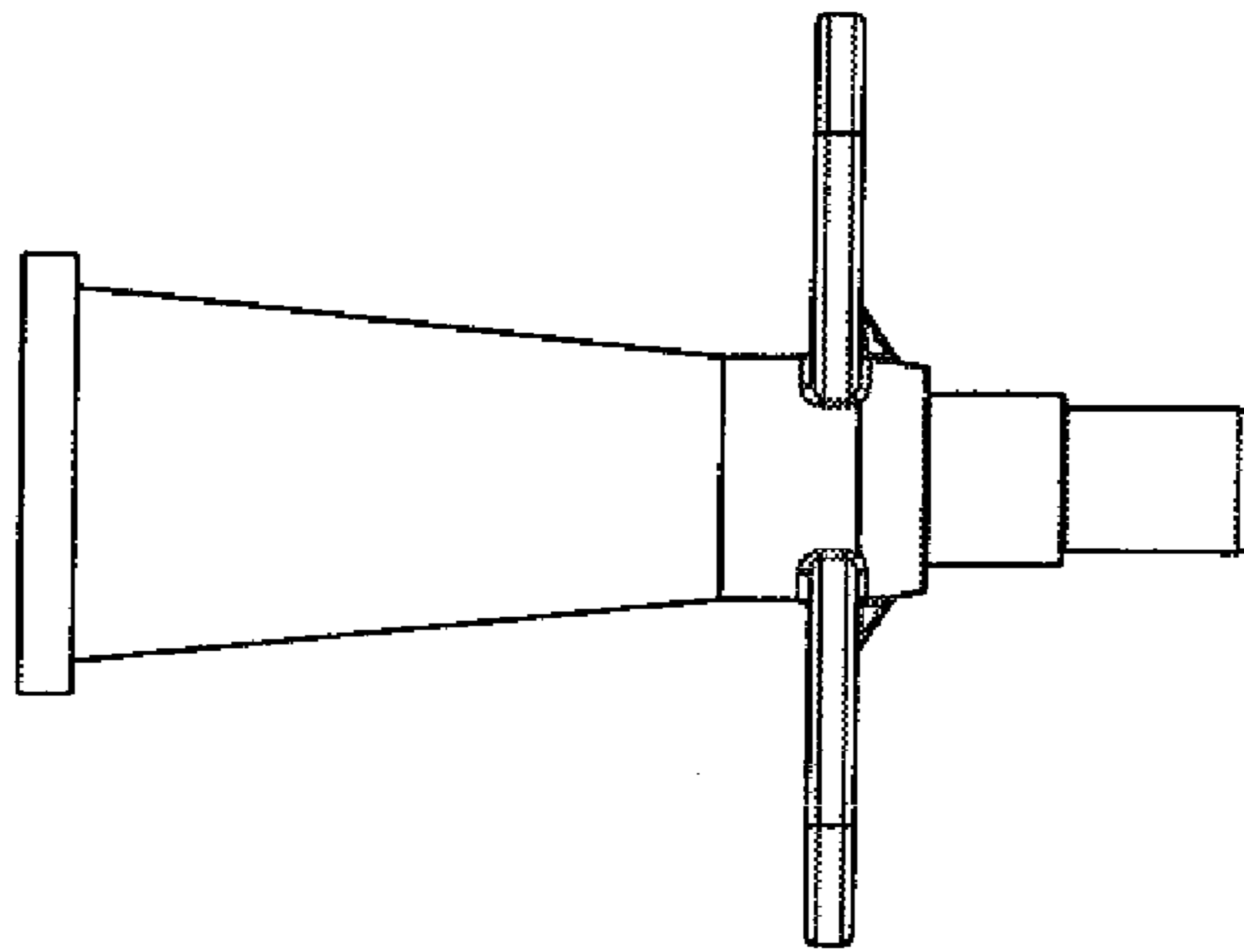


Figure 8

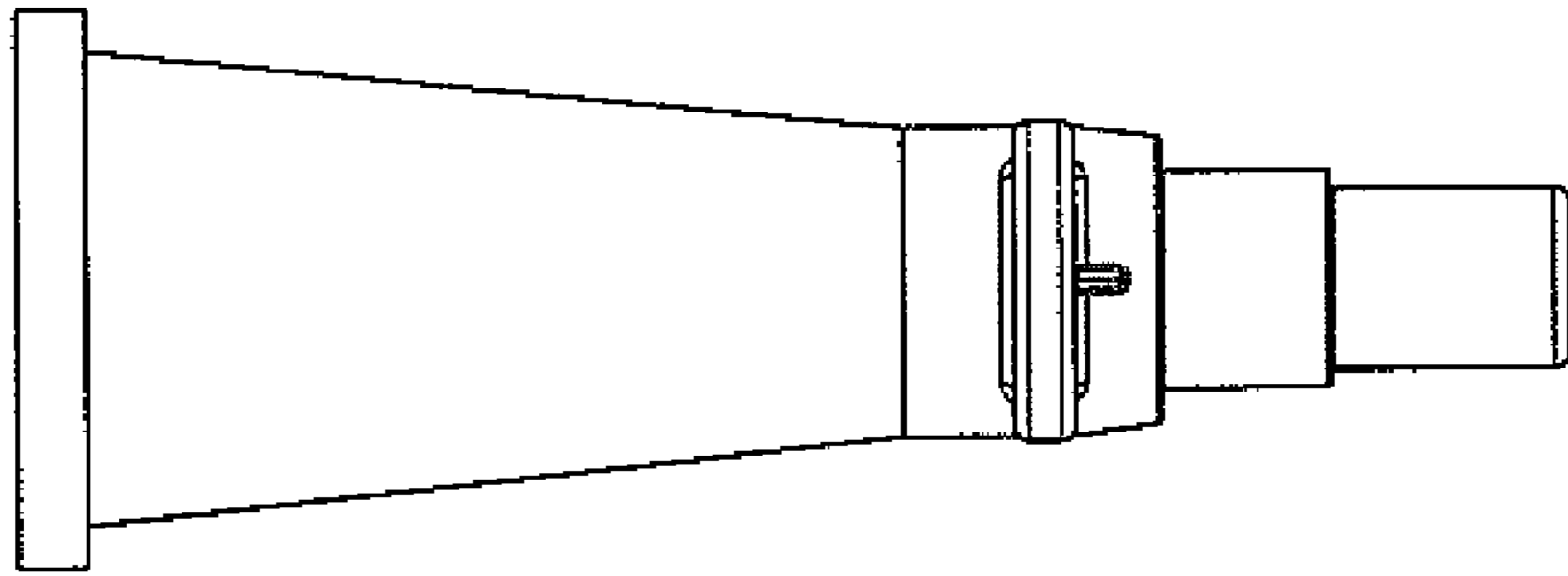


Figure 9

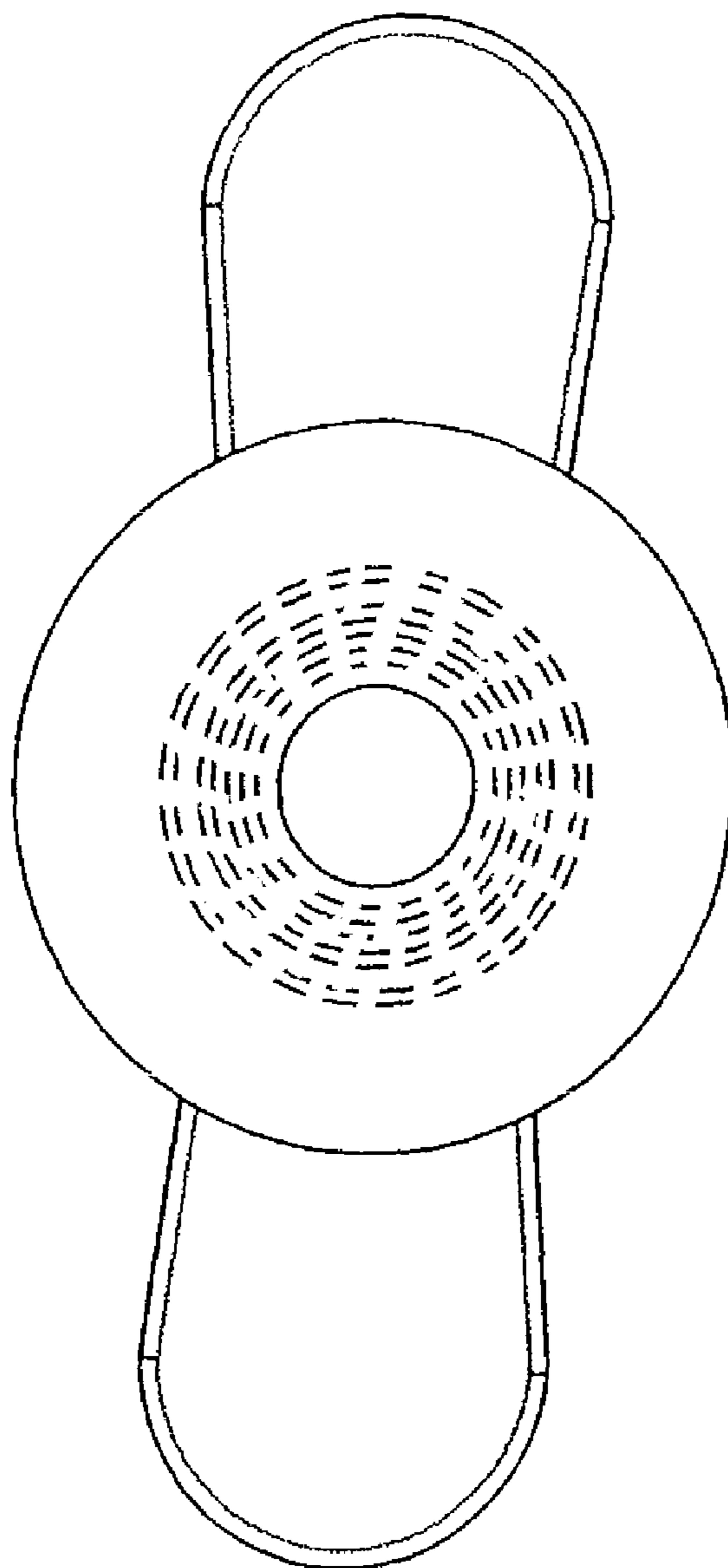


Figure 10

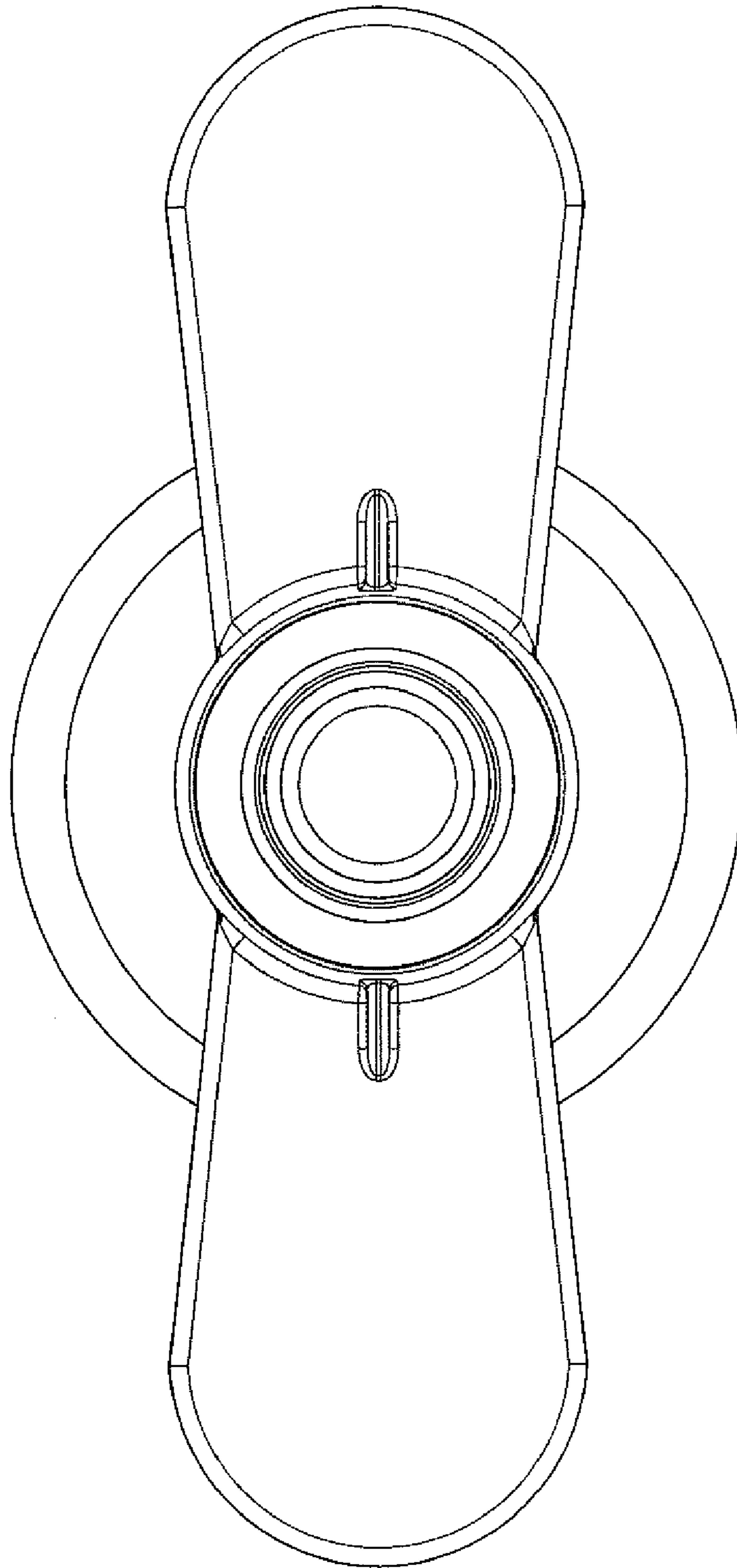


Figure 11

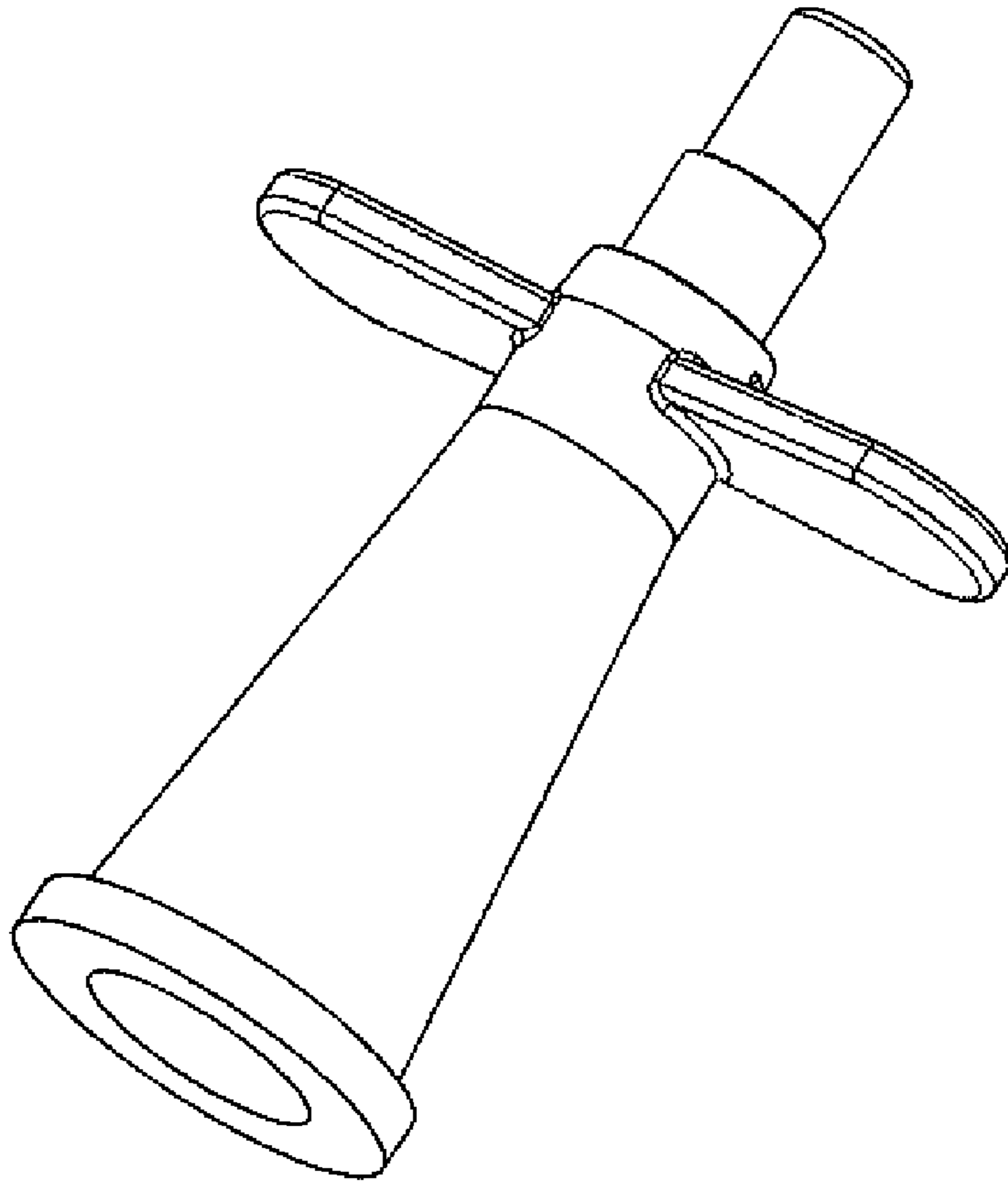


Figure 12

REPLACEMENT SHEET

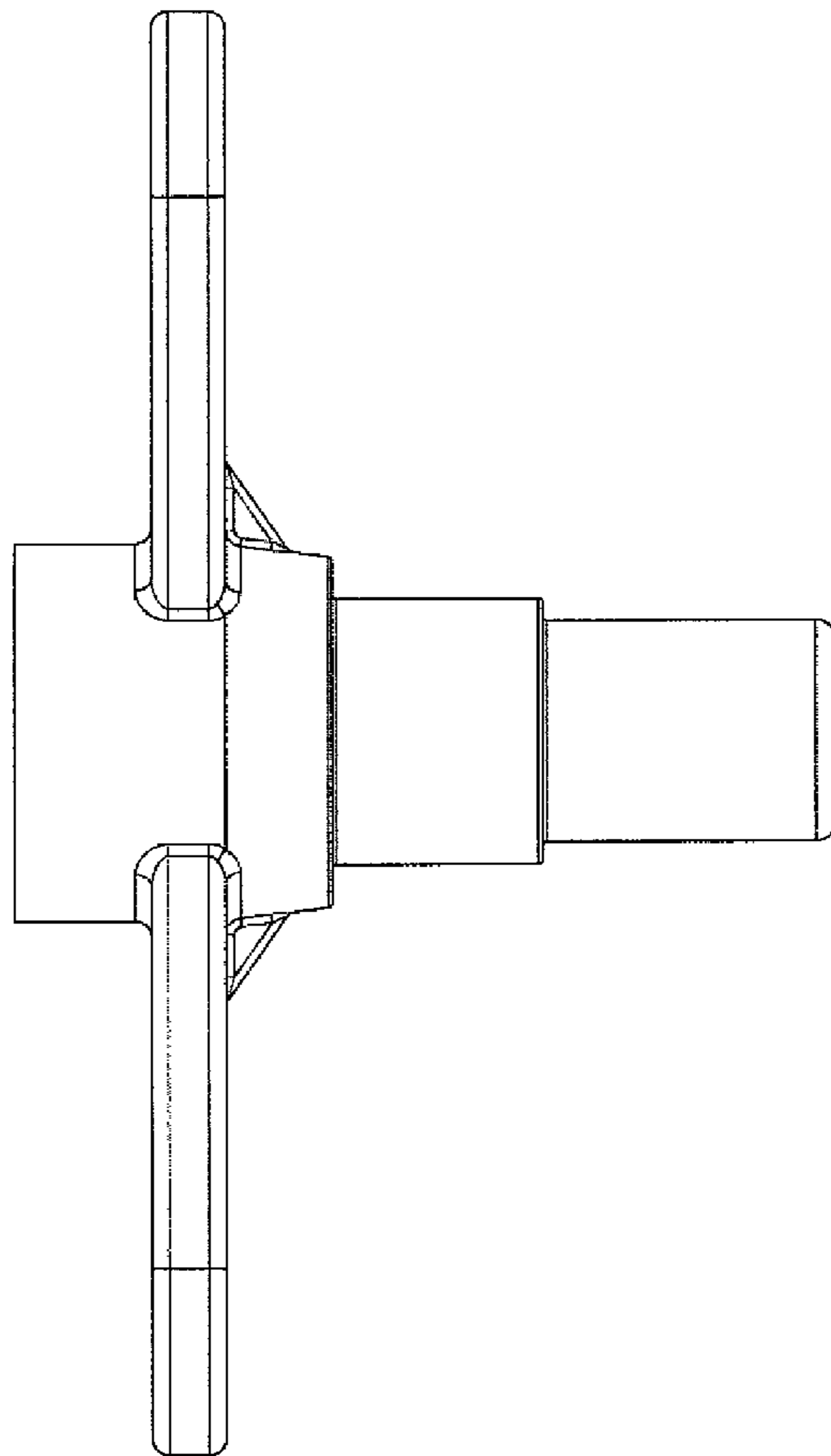


Figure 13

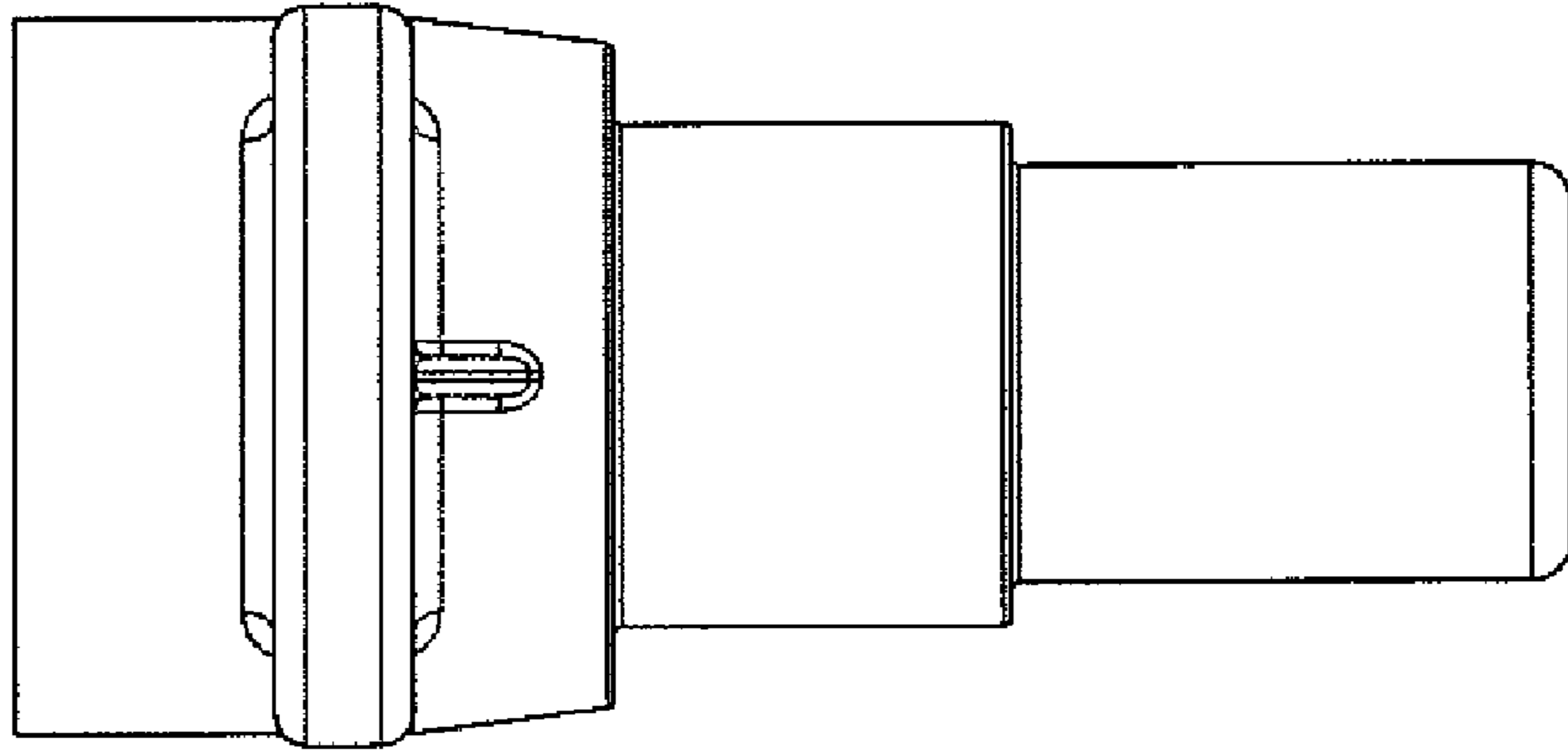


Figure 14

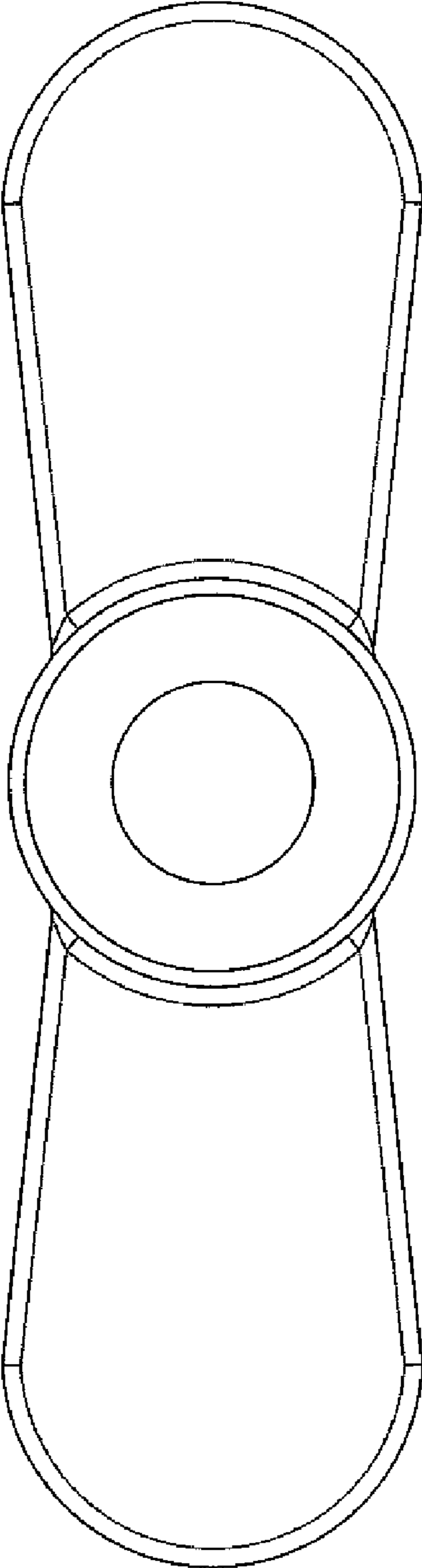


Figure 15

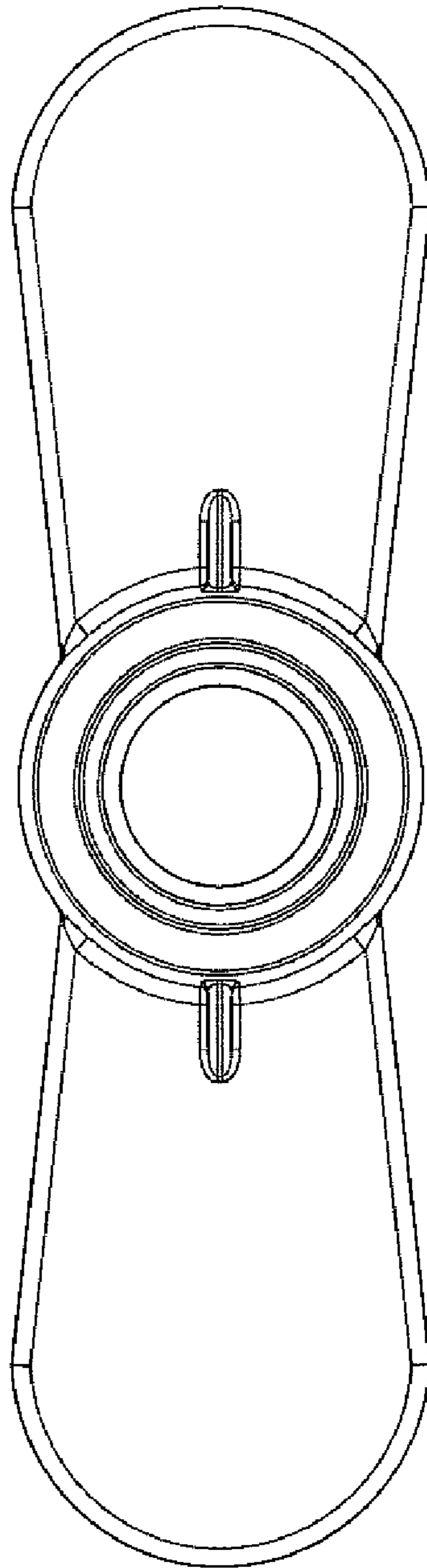


Figure 16

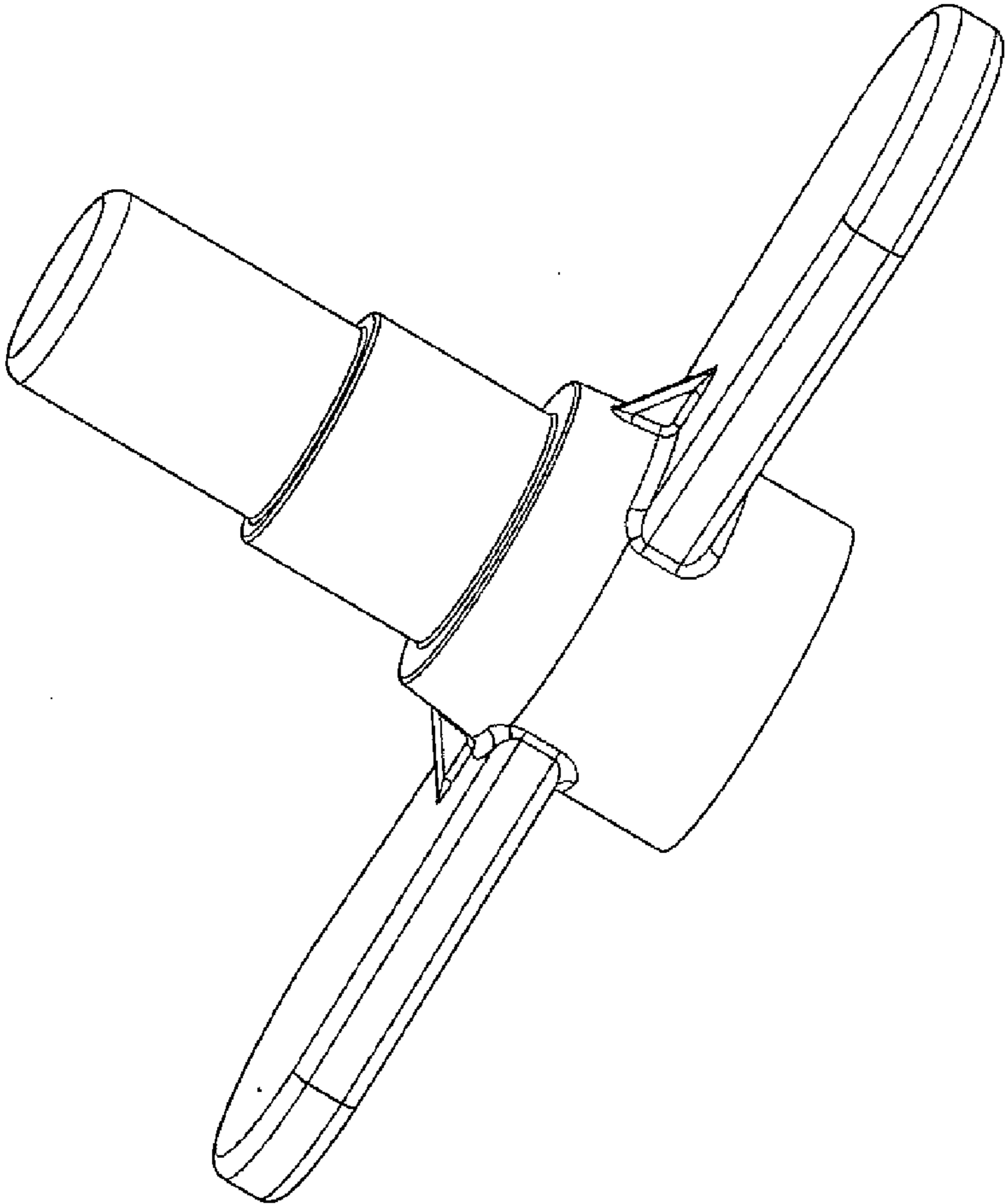


Figure 17