



US00D620103S

(12) **United States Design Patent**  
**Peltier et al.**

(10) **Patent No.:** **US D620,103 S**  
(45) **Date of Patent:** **\*\* Jul. 20, 2010**

(54) **DIFFUSER**

(75) Inventors: **Jérôme Peltier**, Rombas (FR); **Hervé Bodet**, Verdun (FR)

(73) Assignee: **Lindal France SAS**, Briey (FR)

(\*\*) Term: **14 Years**

(21) Appl. No.: **29/324,761**

(22) Filed: **Sep. 19, 2008**

(30) **Foreign Application Priority Data**

Mar. 20, 2008 (EM) ..... 000901046-0001

(51) **LOC (9) Cl.** ..... **29-02**

(52) **U.S. Cl.** ..... **D24/110**

(58) **Field of Classification Search** ..... D24/110,  
D24/113, 115; D9/447, 448, 449; 128/200.18,  
128/200.14, 200.21, 203.15

See application file for complete search history.

(56) **References Cited**

**U.S. PATENT DOCUMENTS**

D282,209 S \* 1/1986 Newell et al. .... D24/110  
D364,811 S \* 12/1995 Zimmerhackel et al. .... D9/448  
6,340,103 B1 \* 1/2002 Scheindel et al. .... 222/402.15

D471,811 S \* 3/2003 Lehnert ..... D9/447  
D493,366 S \* 7/2004 Rackwitz ..... D9/435  
D523,749 S \* 6/2006 Kolanus et al. .... D9/448  
D538,650 S \* 3/2007 Paas et al. .... D9/448  
2005/0205085 A1 \* 9/2005 Blacker et al. .... 128/200.21  
2006/0185672 A1 \* 8/2006 Pinon et al. .... 128/203.15

\* cited by examiner

*Primary Examiner*—Ian Simmons

*Assistant Examiner*—Christopher Lee

(74) *Attorney, Agent, or Firm*—Westerman, Hattori, Daniels & Adrian, LLP

(57) **CLAIM**

The ornamental design for a diffuser, as shown and described.

**DESCRIPTION**

FIG. 1 is a rear perspective view of the diffuser.

FIG. 2 is a left-side view of the diffuser.

FIG. 3 is a right-side view of the diffuser.

FIG. 4 is a rear view of the diffuser.

FIG. 5 is a front view of the diffuser.

FIG. 6 is a top view of the diffuser; and,

FIG. 7 is a front perspective view of the diffuser.

**1 Claim, 7 Drawing Sheets**

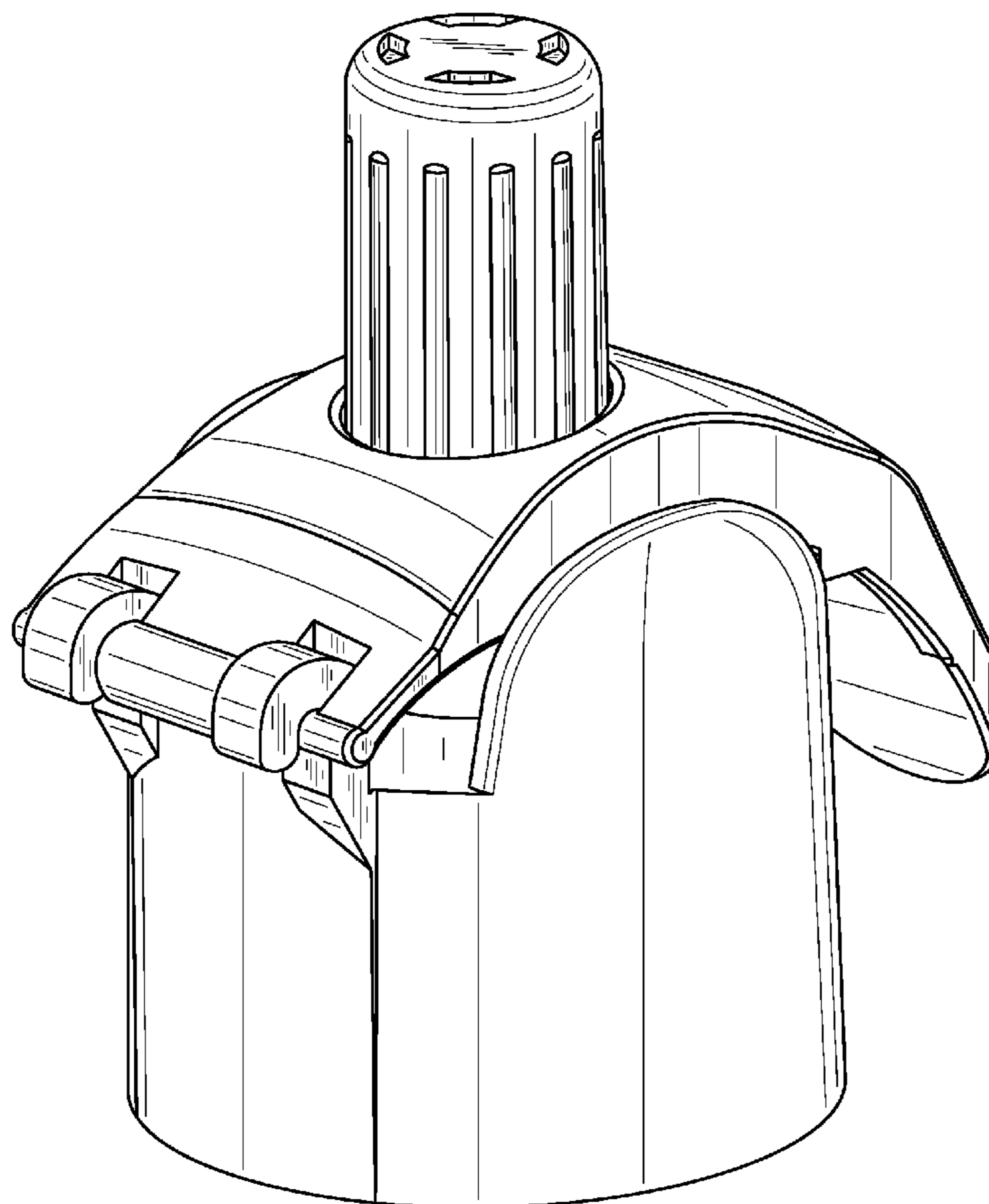


FIG. 1

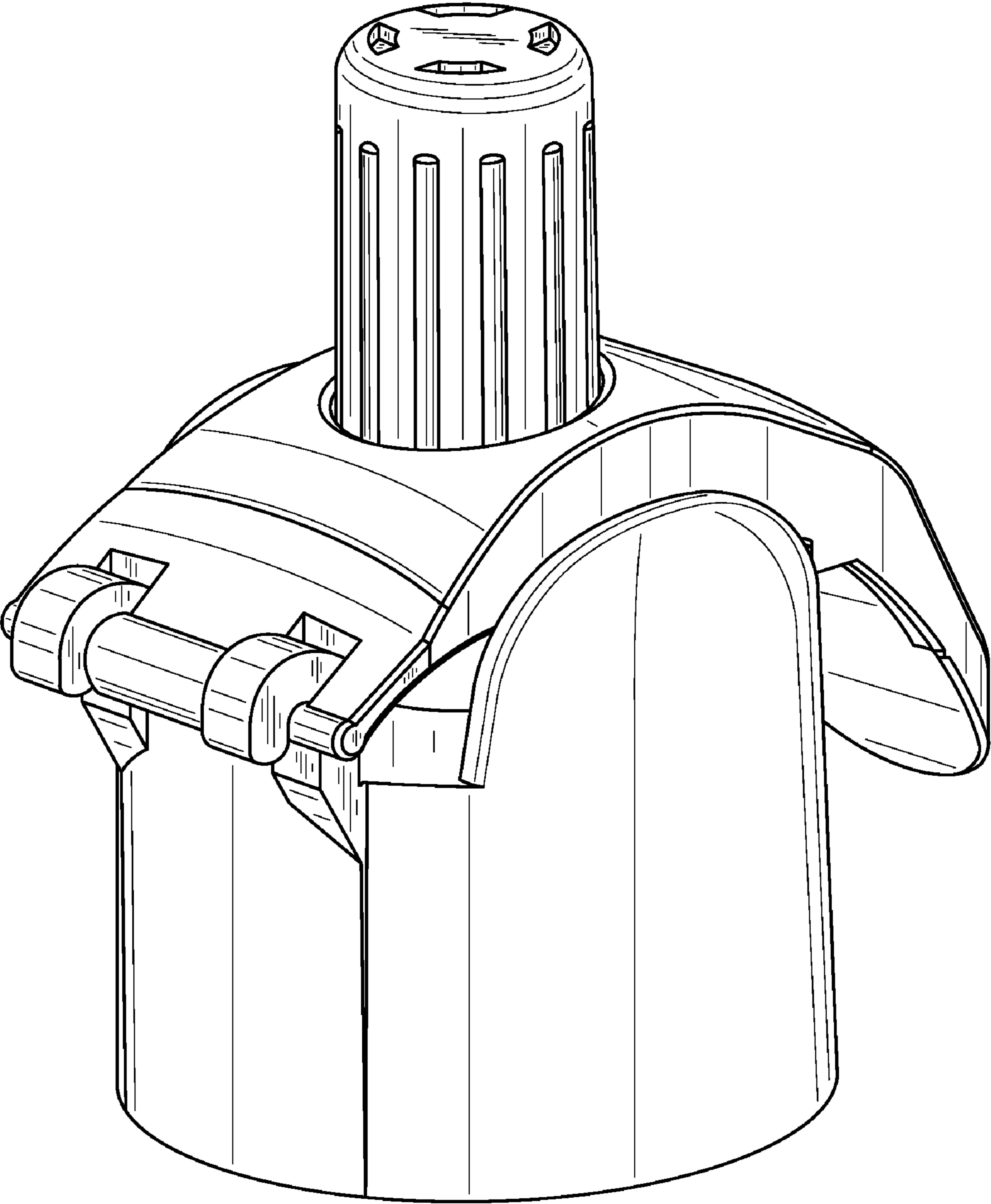


FIG.2

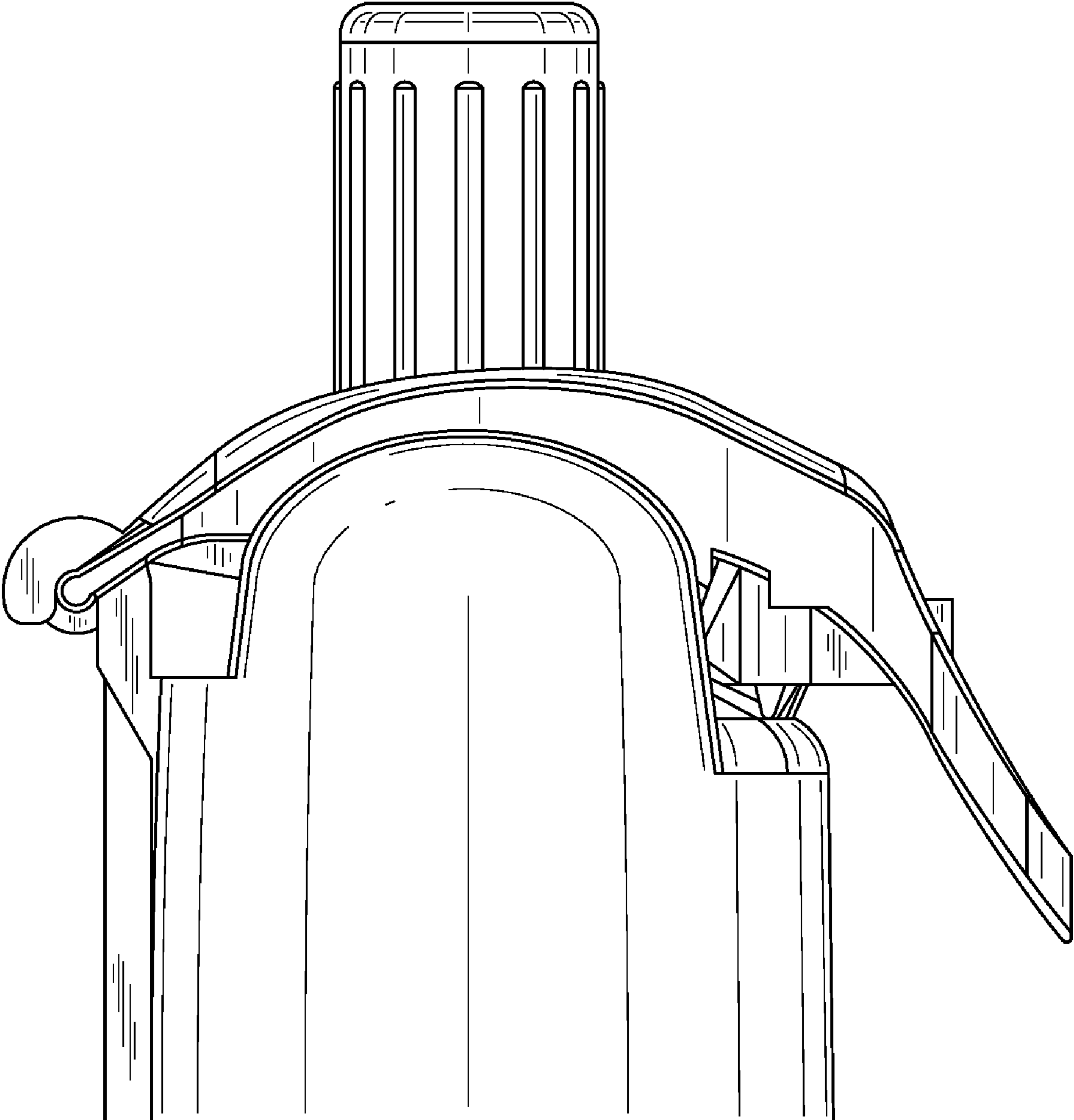


FIG.3

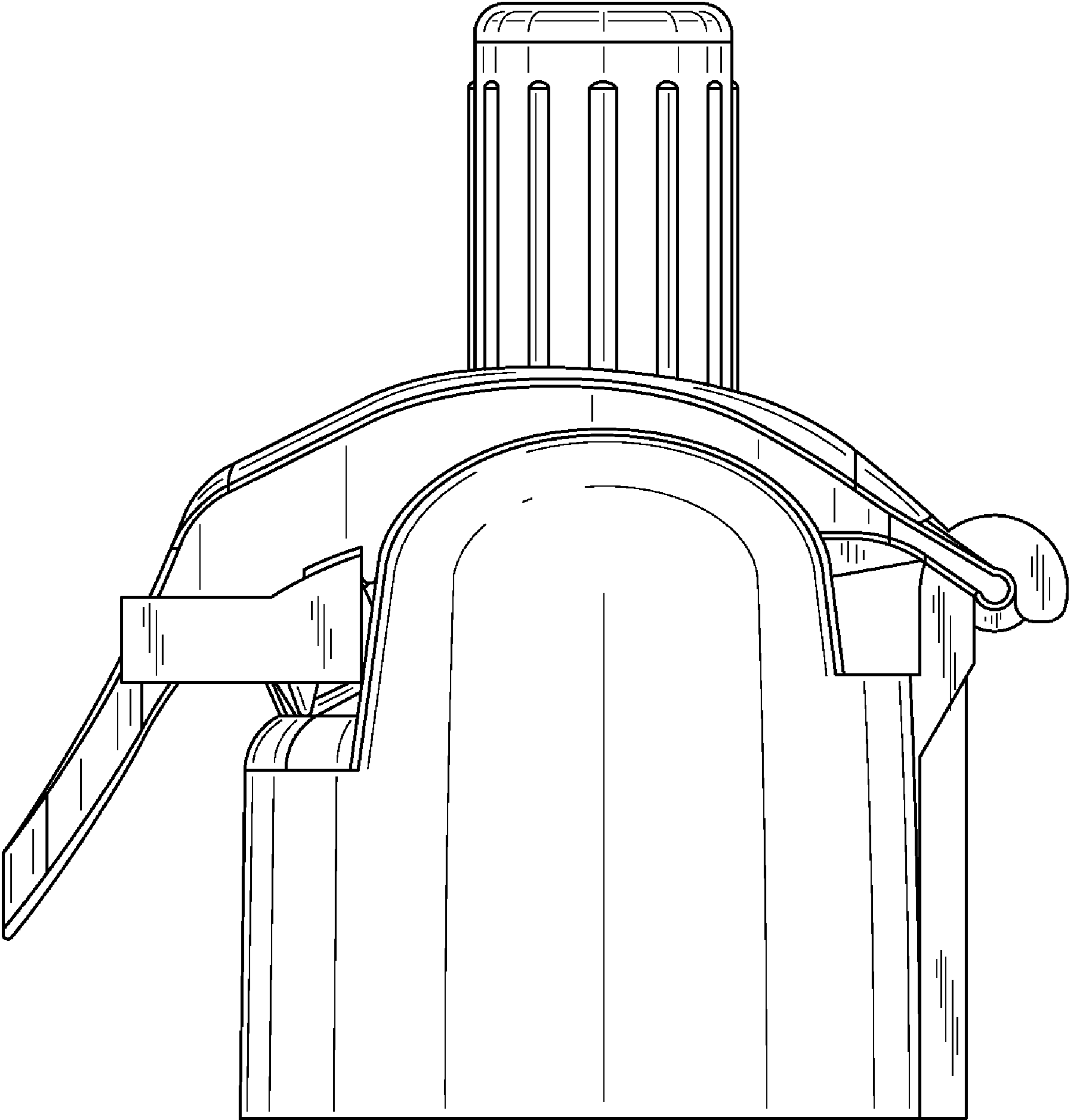


FIG.4

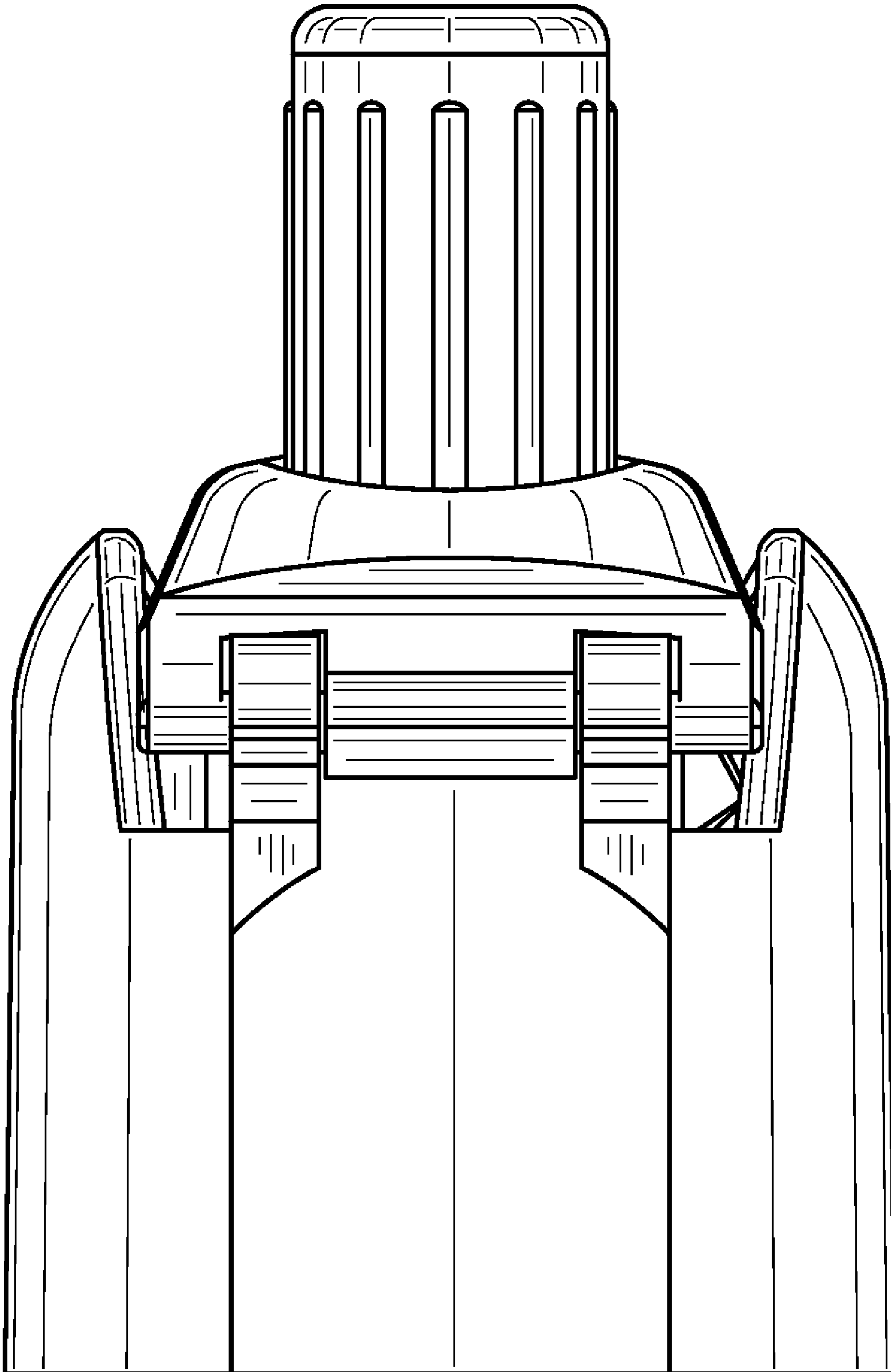


FIG.5

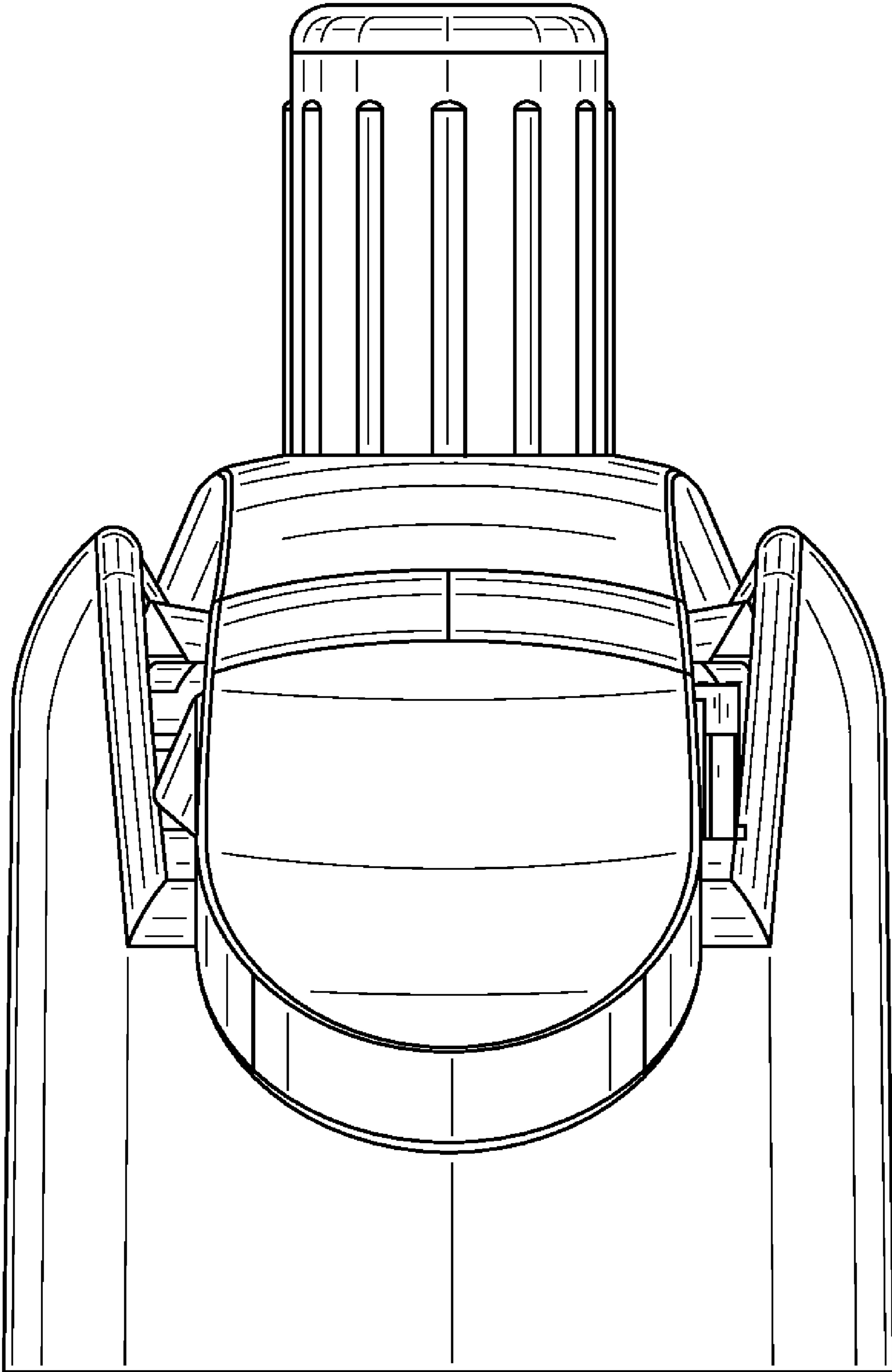


FIG.6

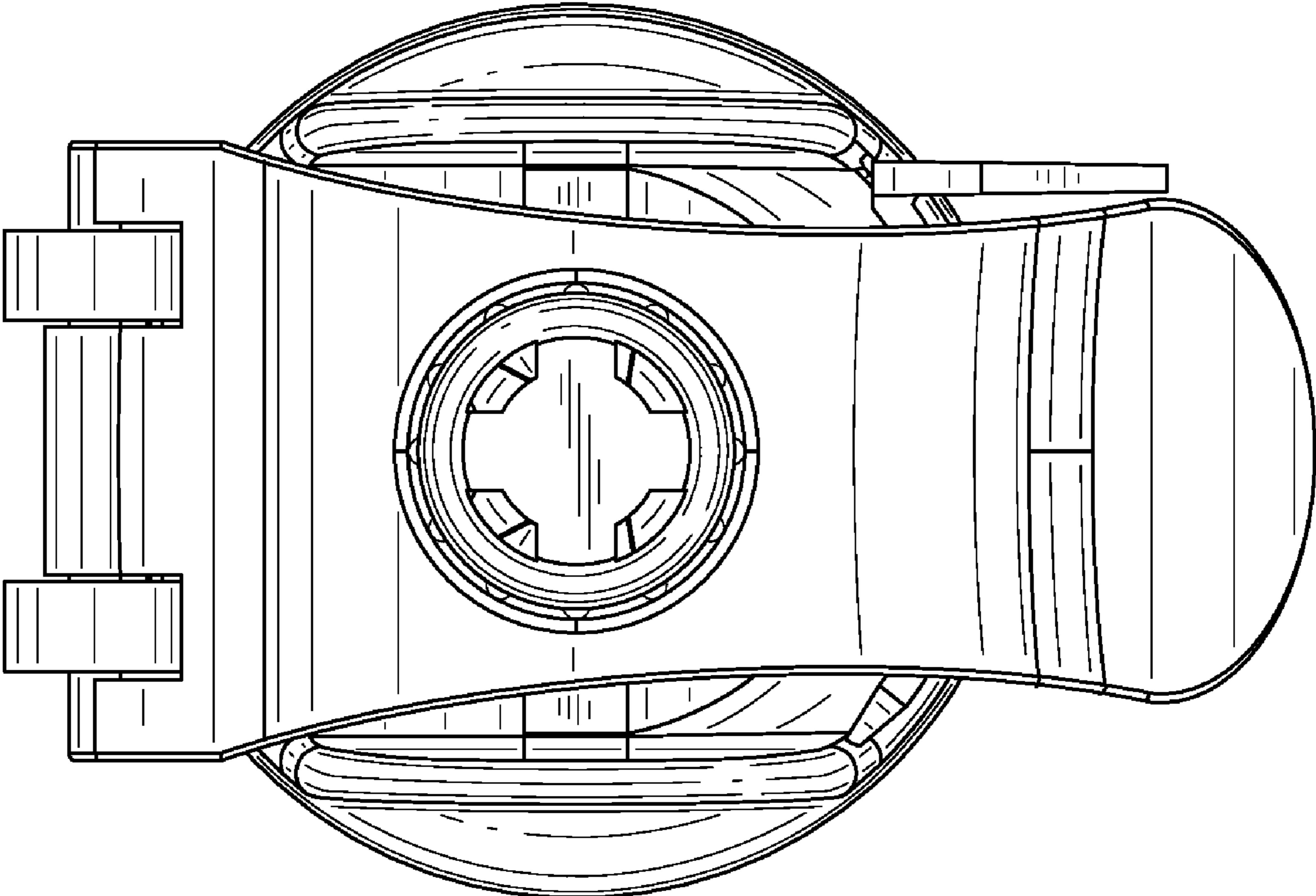


FIG. 7

