



US00D620102S

(12) **United States Design Patent**
Klien et al.

(10) **Patent No.:** **US D620,102 S**
(45) **Date of Patent:** **** Jul. 20, 2010**

(54) **RESPIRATORY DEVICE**

(75) Inventors: **Peter Klien**, Trisenberg (LI); **Jakob Daescher**, Buchs SG (CH); **Harri Friberg**, Buchs SG (CH)

(73) Assignee: **IMT Information Management Technology AG**, Buchs SG (CH)

(**) Term: **14 Years**

(21) Appl. No.: **29/318,089**

(22) Filed: **May 13, 2008**

(30) **Foreign Application Priority Data**

Nov. 13, 2007 (CH) 2007-01049

(51) **LOC (9) Cl.** **29-02**

(52) **U.S. Cl.** **D24/110**

(58) **Field of Classification Search** D24/110;
128/200.24, 204.23, 200.22, 204.21, 200.18,
128/200.16, 204.18, 204.15, 203.12

See application file for complete search history.

(56) **References Cited**

U.S. PATENT DOCUMENTS

2006/0283451 A1* 12/2006 Albertelli 128/204.28
* cited by examiner

Primary Examiner—Ian Simmons

Assistant Examiner—Christopher Lee

(74) *Attorney, Agent, or Firm*—Matthew B. Dernier, Esq.;
Gibson & Dernier LLP

(57) **CLAIM**

The ornamental design for a respiratory device, as shown and described.

DESCRIPTION

FIG. 1 is a left-front perspective view of the respiratory device;

FIG. 2 is a right-front perspective view of the respiratory device;

FIG. 3 is a right-side view of the respiratory device;

FIG. 4 is a left-side view of the respiratory device;

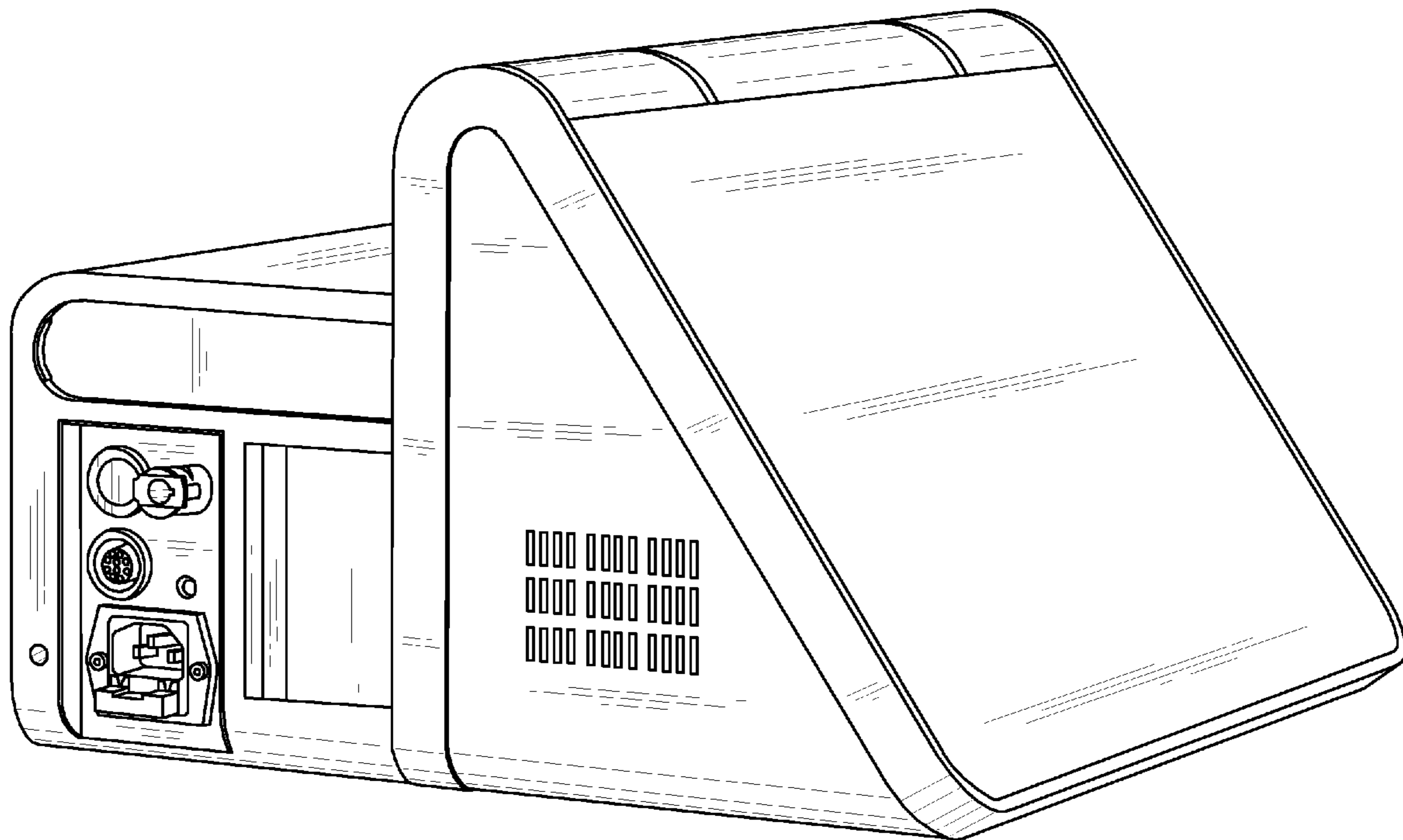
FIG. 5 is a front view of the respiratory device;

FIG. 6 is a top view of the respiratory device;

FIG. 7 is a rear view of the respiratory device; and,

FIG. 8 is a bottom view of the respiratory device.

1 Claim, 8 Drawing Sheets



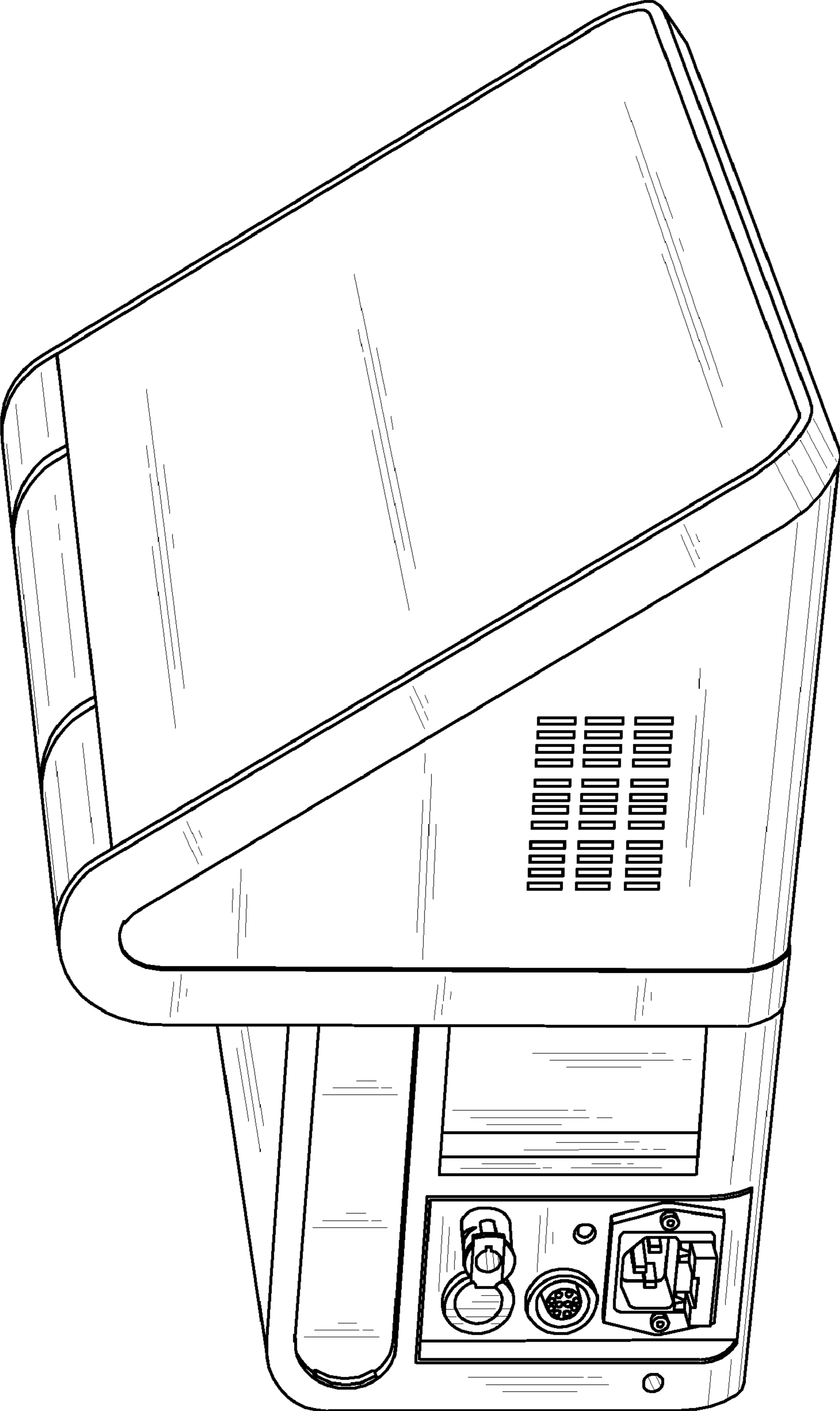


FIG. 1

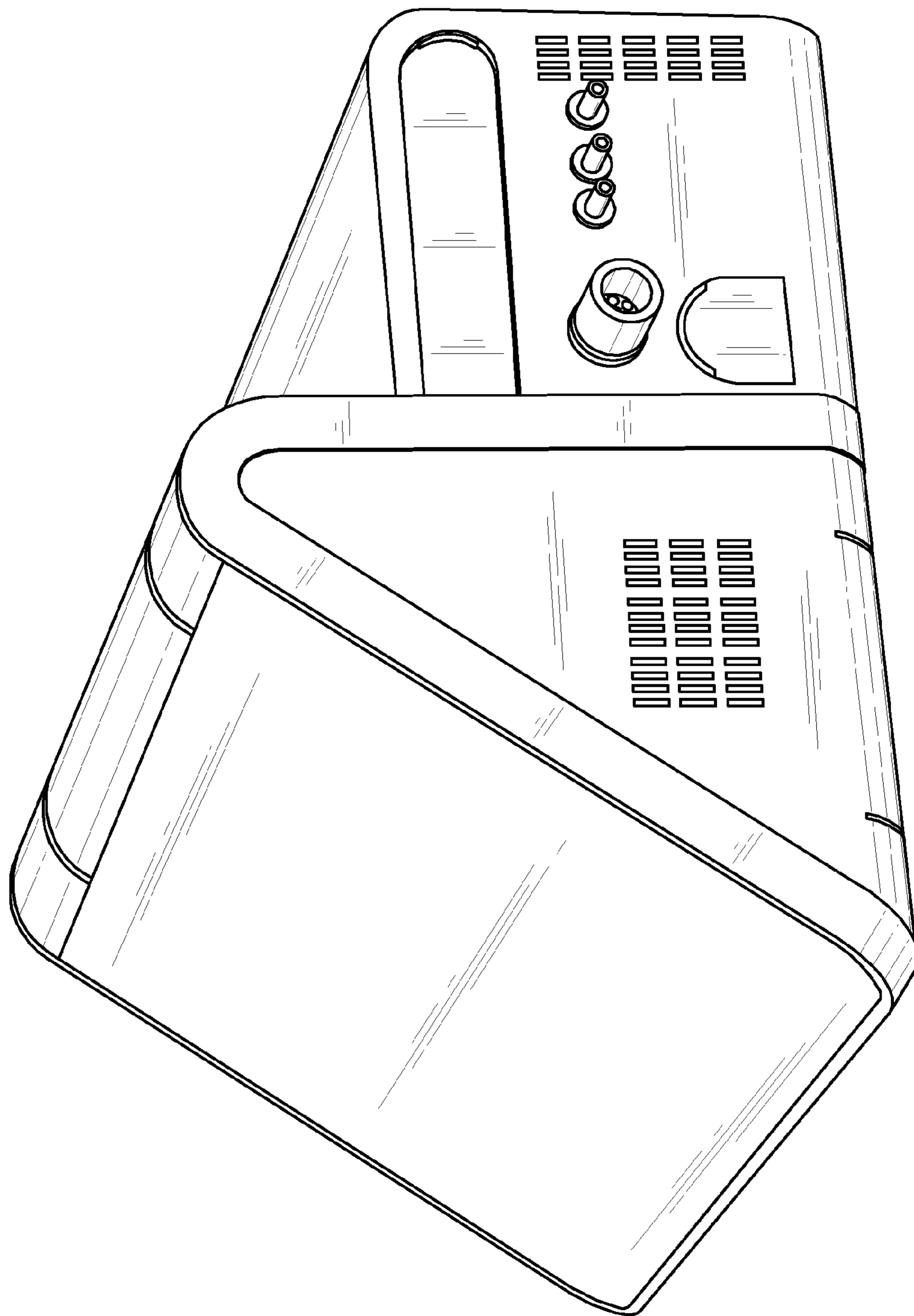


FIG. 2

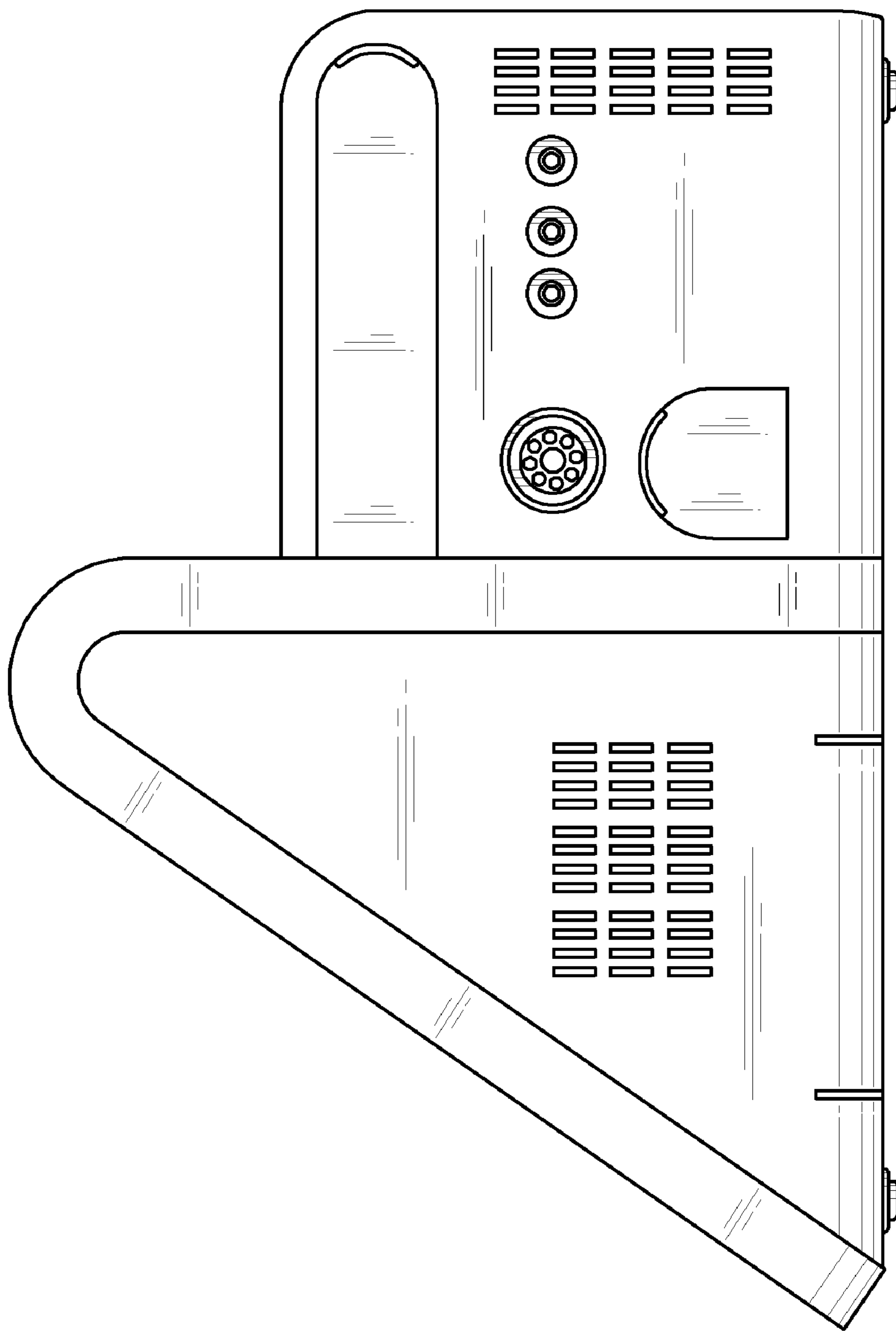


FIG. 3

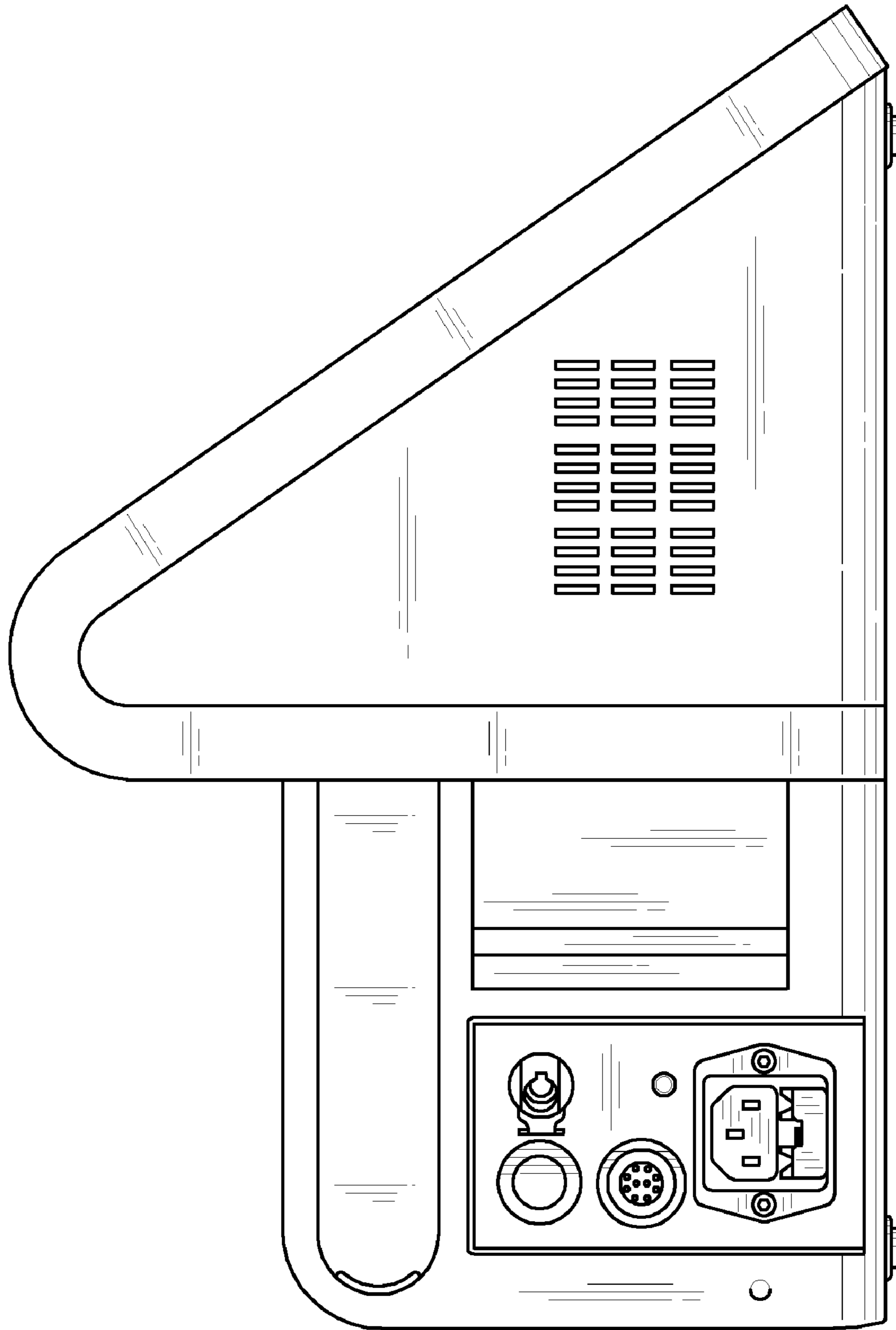


FIG. 4

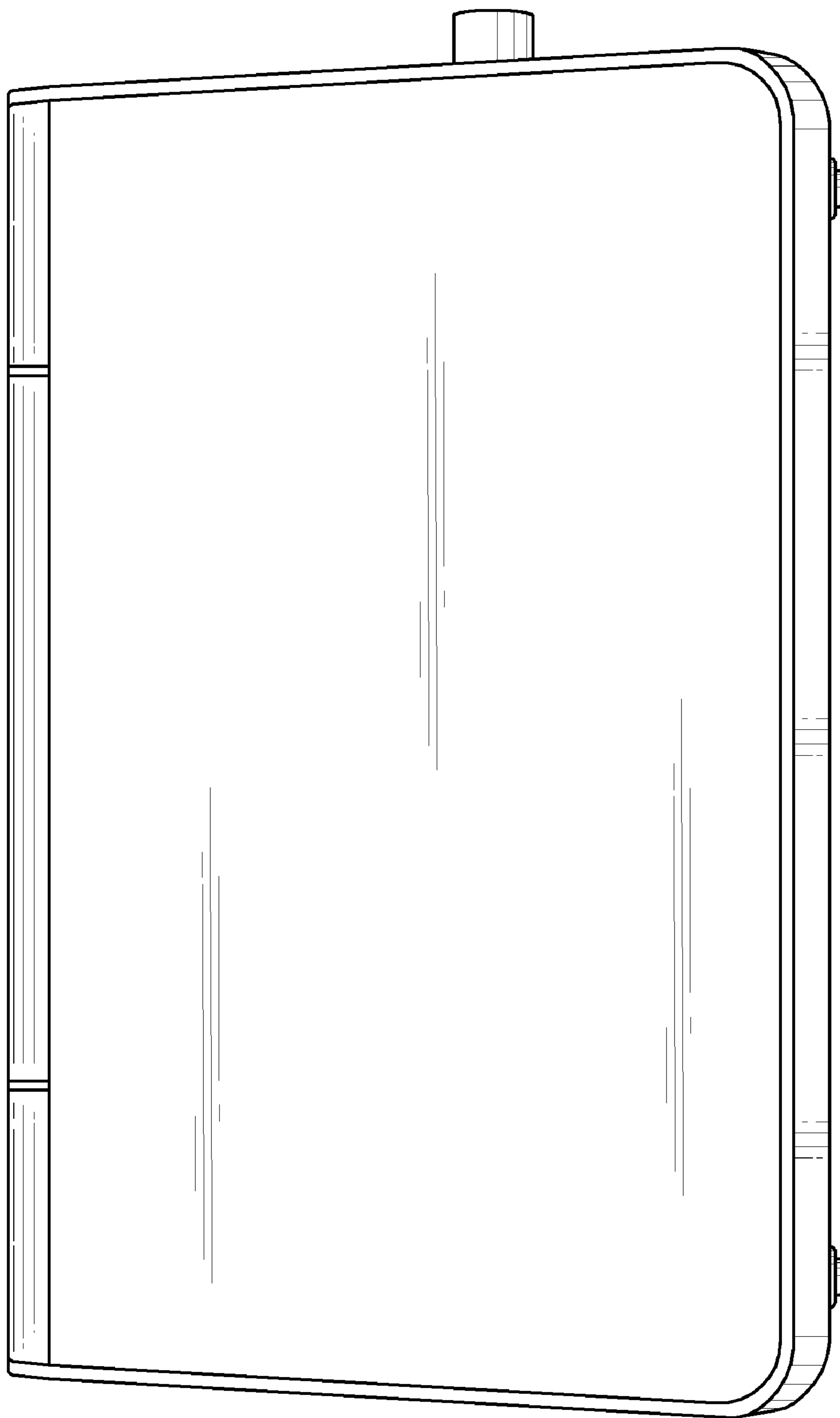


FIG. 5

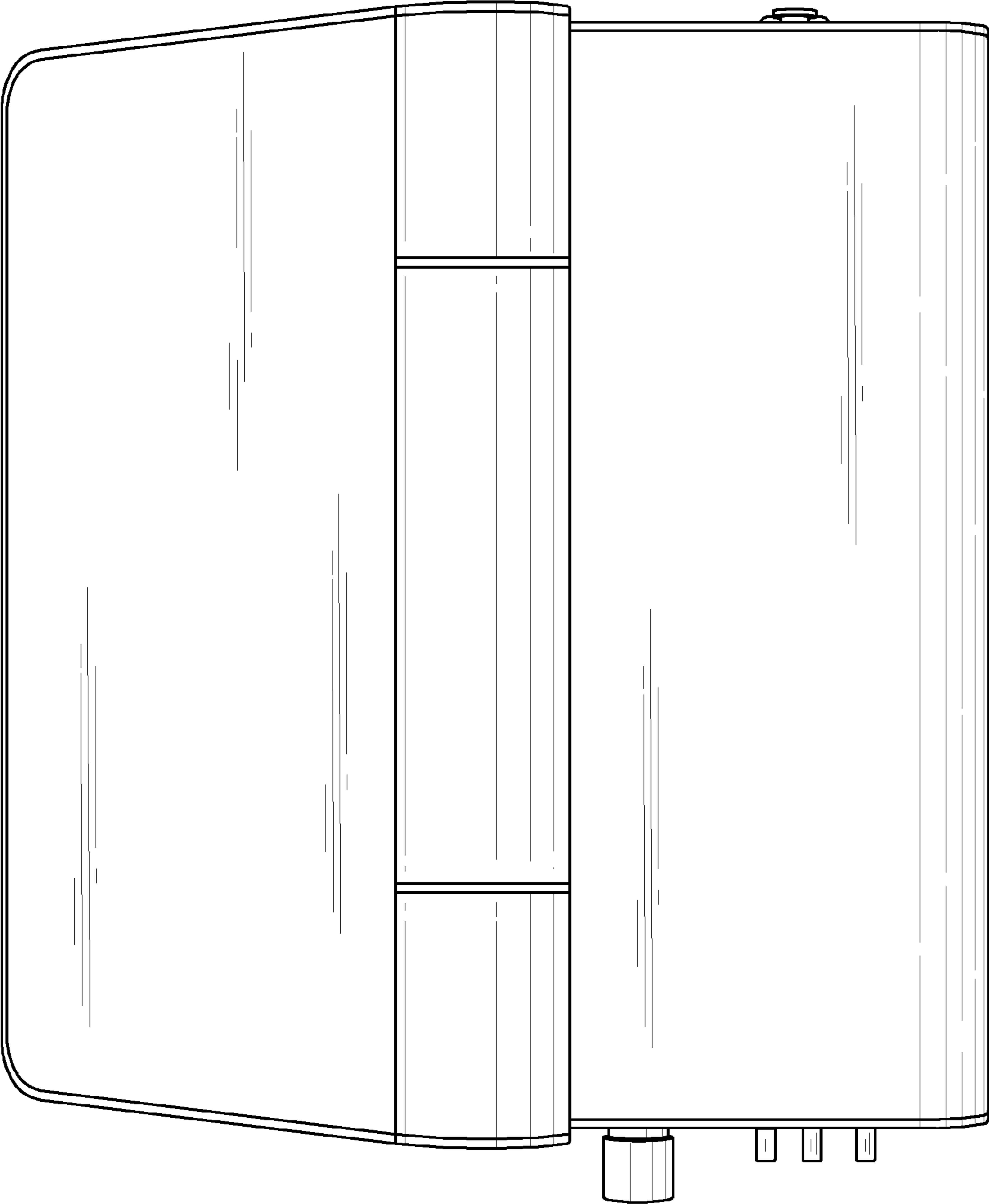


FIG. 6

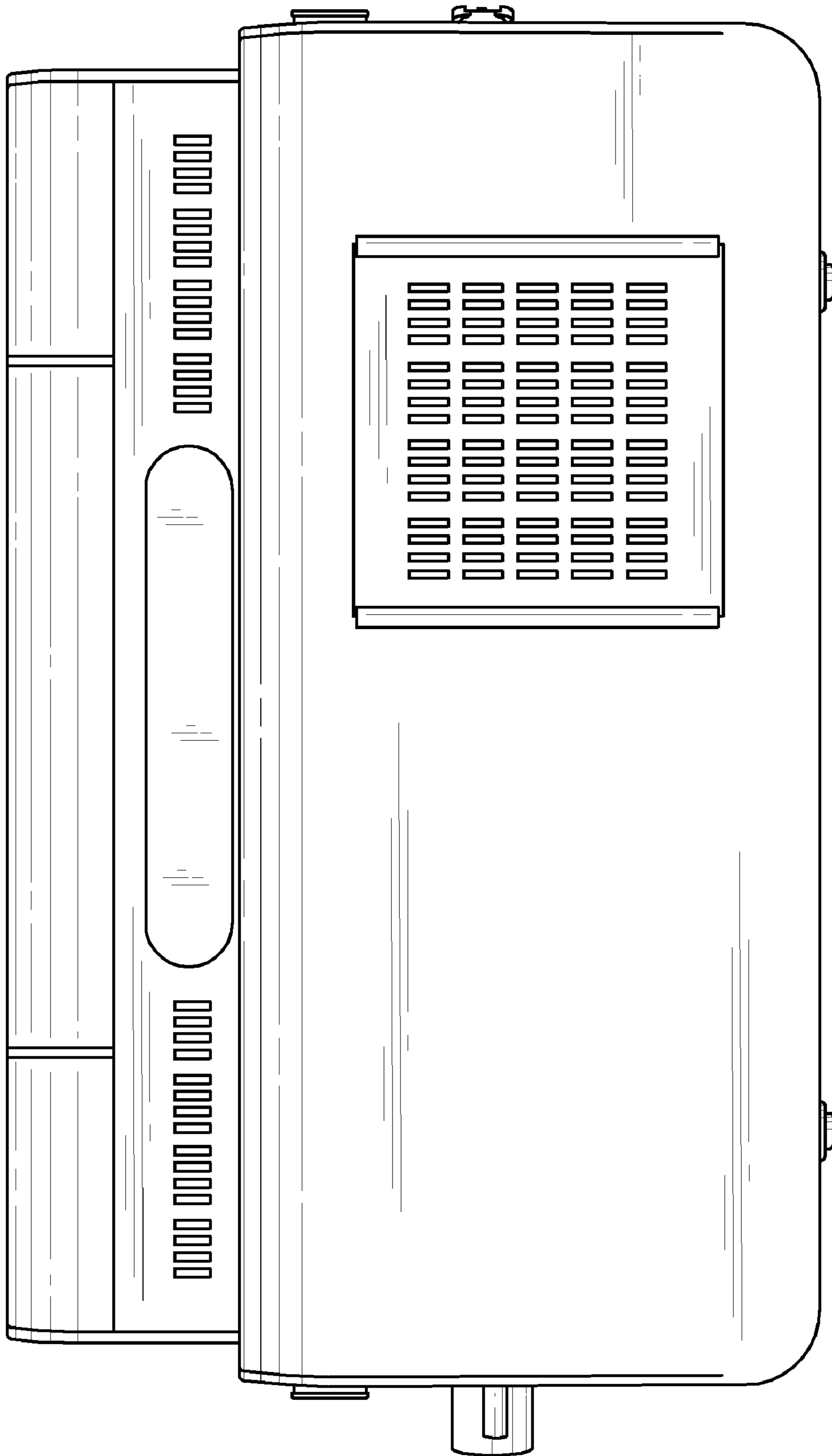


FIG. 7

FIG. 8

