



US00D620099S

(12) **United States Design Patent**
Flores

(10) **Patent No.:** **US D620,099 S**
(45) **Date of Patent:** **** Jul. 20, 2010**

(54) **CEILING FAN BLADE IRON**

(75) Inventor: **Miguel Flores**, Riverside, CA (US)

(73) Assignee: **Minka Lighting, Inc.**, Corona, CA (US)

(**) Term: **14 Years**

(21) Appl. No.: **29/330,784**

(22) Filed: **Jan. 14, 2009**

(51) **LOC (9) Cl.** **23-04**

(52) **U.S. Cl.** **D23/411**

(58) **Field of Classification Search** D23/377,
D23/379, 385, 411, 413; 416/5
See application file for complete search history.

(56) **References Cited**

U.S. PATENT DOCUMENTS

D486,219 S	*	2/2004	Hsieh	D23/411
D486,220 S	*	2/2004	Hsieh	D23/411
D487,801 S	*	3/2004	Hsieh	D23/377
D582,030 S	*	12/2008	Pickett	D23/411

OTHER PUBLICATIONS

Craftmade Internet Catalog; Kona Bay; Model #K520B; printed from hansenwholesale.com on May 10, 2008.
Casablanca Internet Catalog; le Grande; Model #85U45M; printed from hansenwholesale.com on May 10, 2008.
Hunter Internet Catalog; Tribeca; Model #28121; printed from hansenwholesale.com on May 10, 2008.

Montecarlo Internet Catalog; Micro 24; Model #3TF24BS; printed from hansenwholesale.com on May 10, 2008.

* cited by examiner

Primary Examiner—Lisa P Lichtenstein

(74) *Attorney, Agent, or Firm*—Baker & McKenzie LLP

(57) **CLAIM**

The ornamental design for a ceiling fan blade iron, as shown and described.

DESCRIPTION

FIG. 1 is a bottom perspective view of a ceiling fan blade iron showing an embodiment in accordance with my design;

FIG. 2 is an enlarged bottom perspective view of the ceiling fan blade iron in accordance with my design;

FIG. 3 is an enlarged side elevation view of the ceiling fan blade iron in accordance with my design;

FIG. 4 is an enlarged opposite side elevation view of the ceiling fan blade iron in accordance with my design;

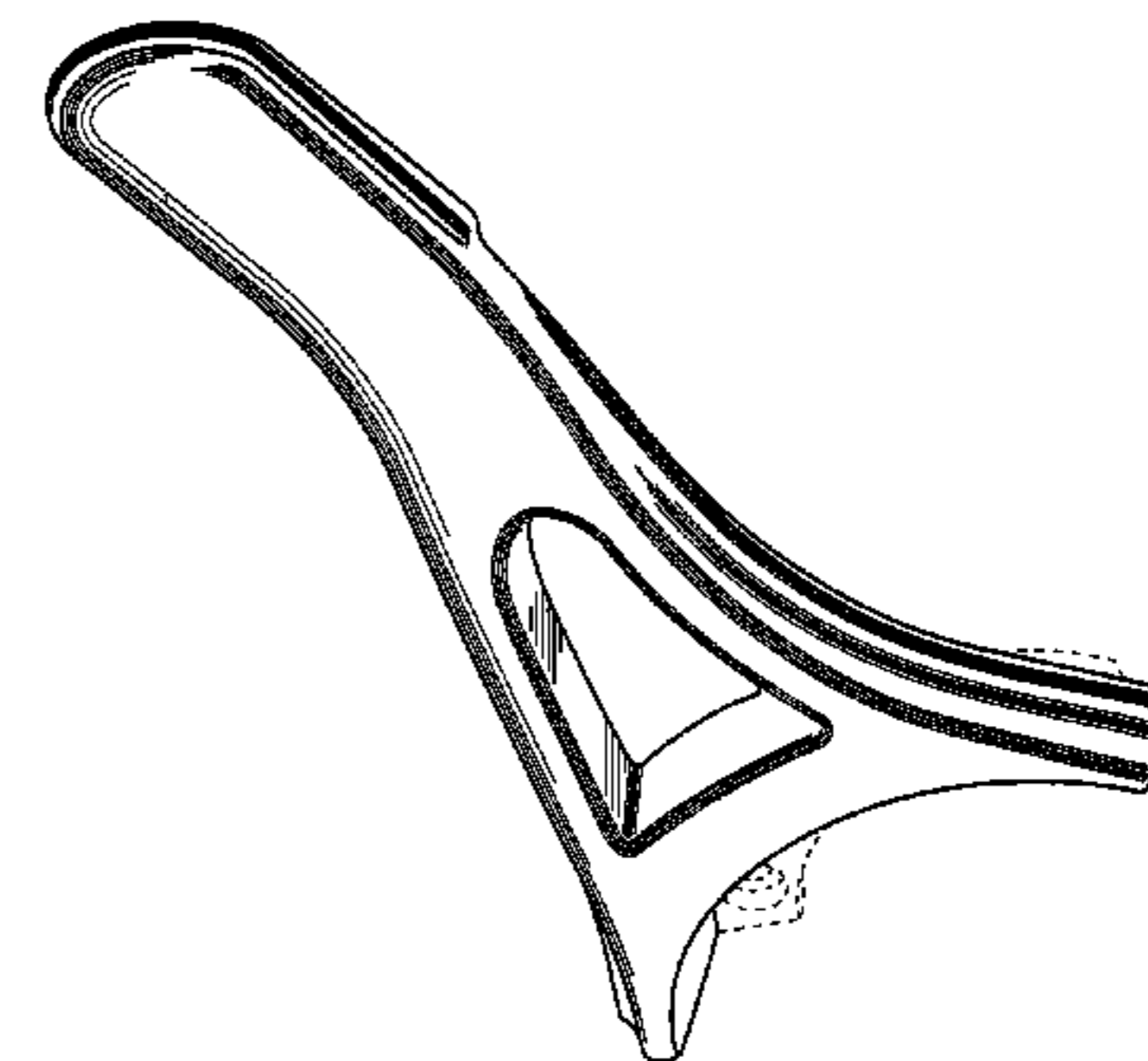
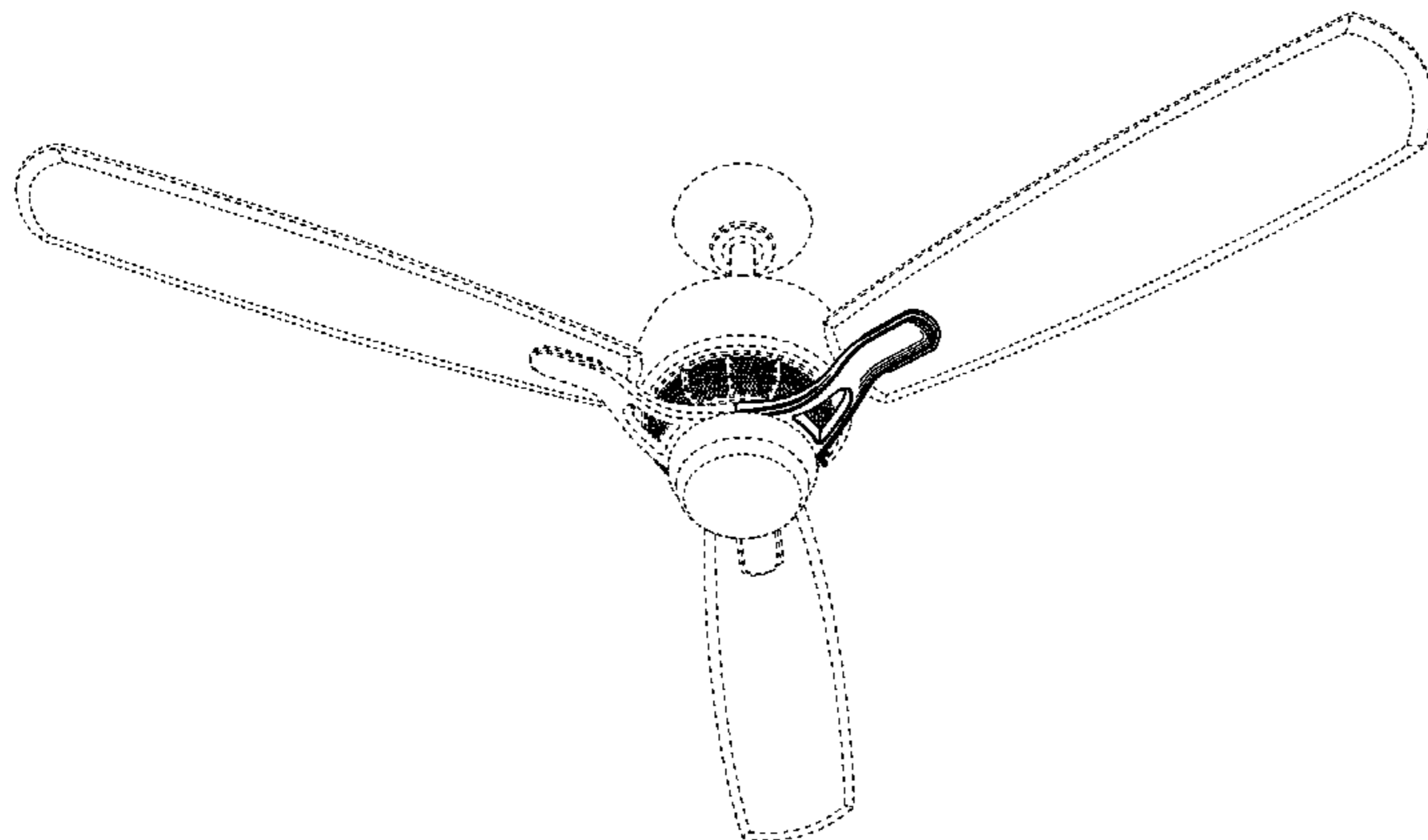
FIG. 5 is an enlarged bottom plan view of the ceiling fan blade iron in accordance with my design;

FIG. 6 is an enlarged top plan view of the ceiling fan blade iron in accordance with my design; and,

FIG. 7 is an enlarged front elevation view of the ceiling fan blade iron in accordance with my design.

The broken lines showing the environmental structure are for illustrative purposes and form no part of the claimed design.

1 Claim, 3 Drawing Sheets



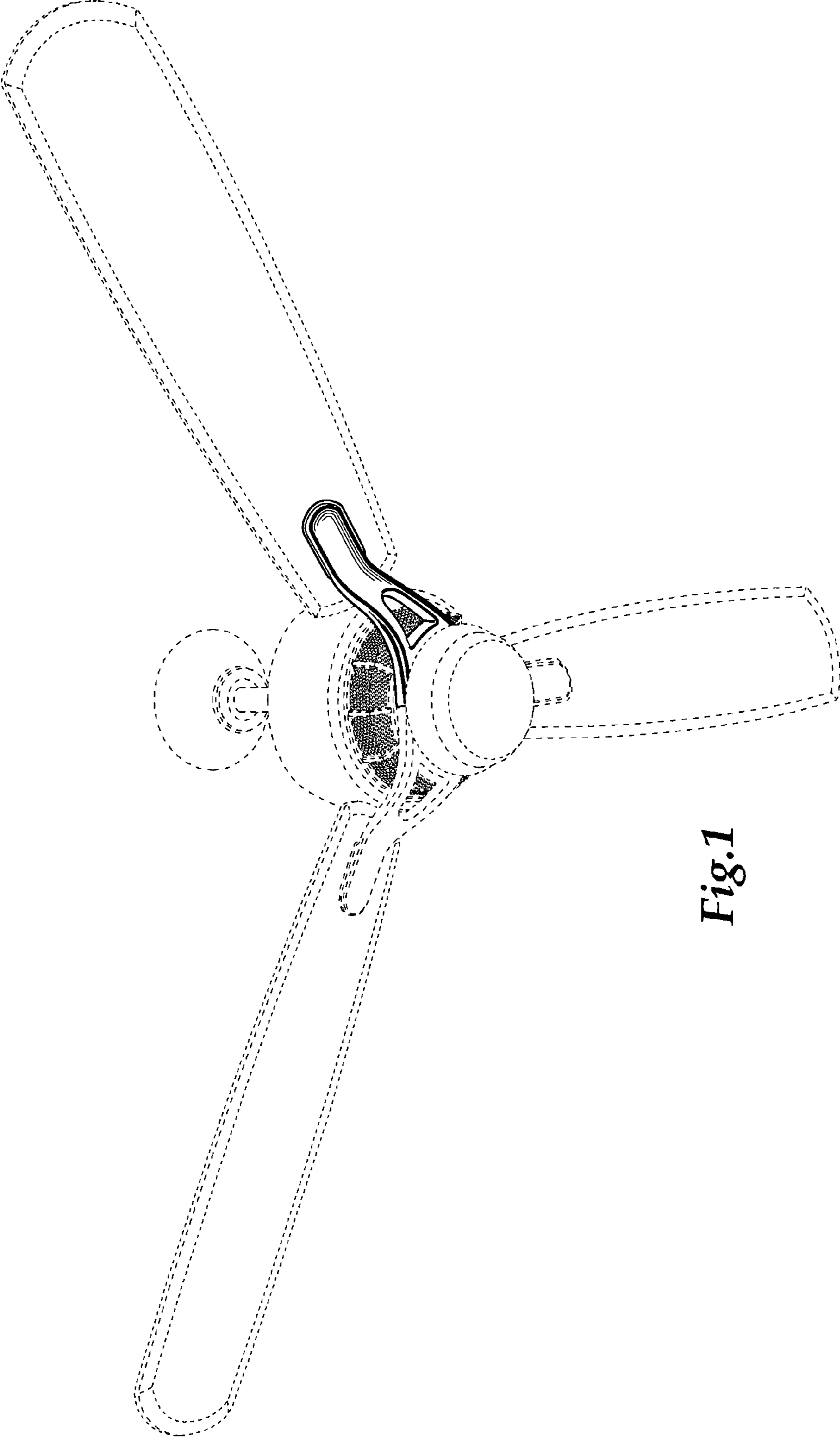
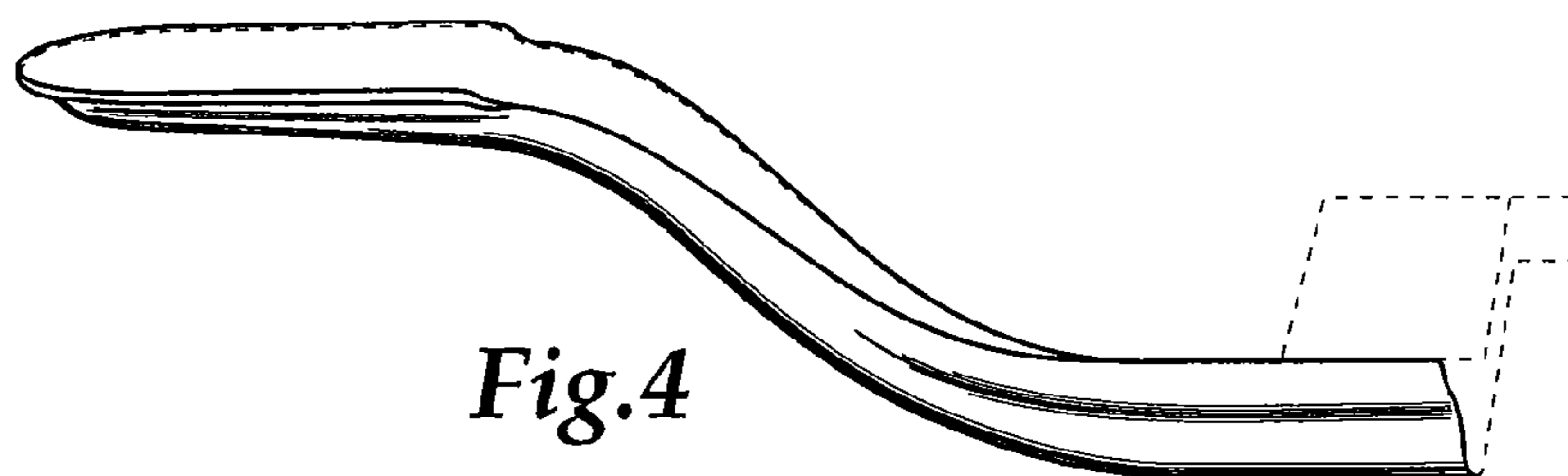
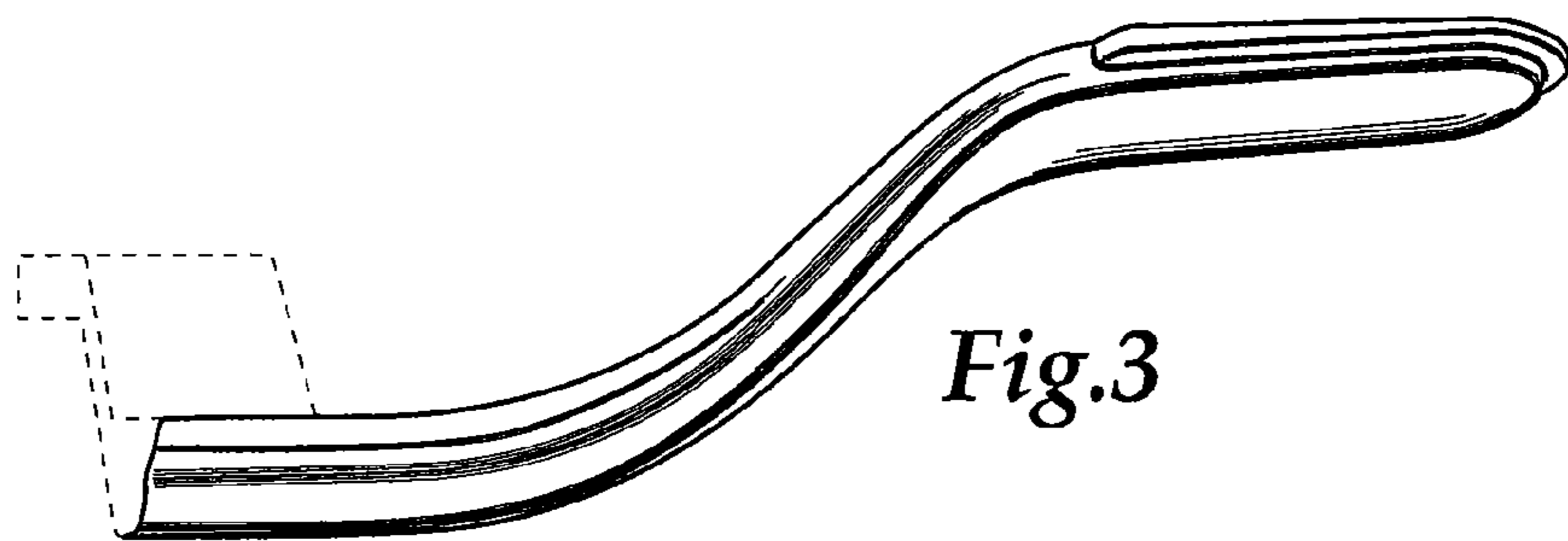
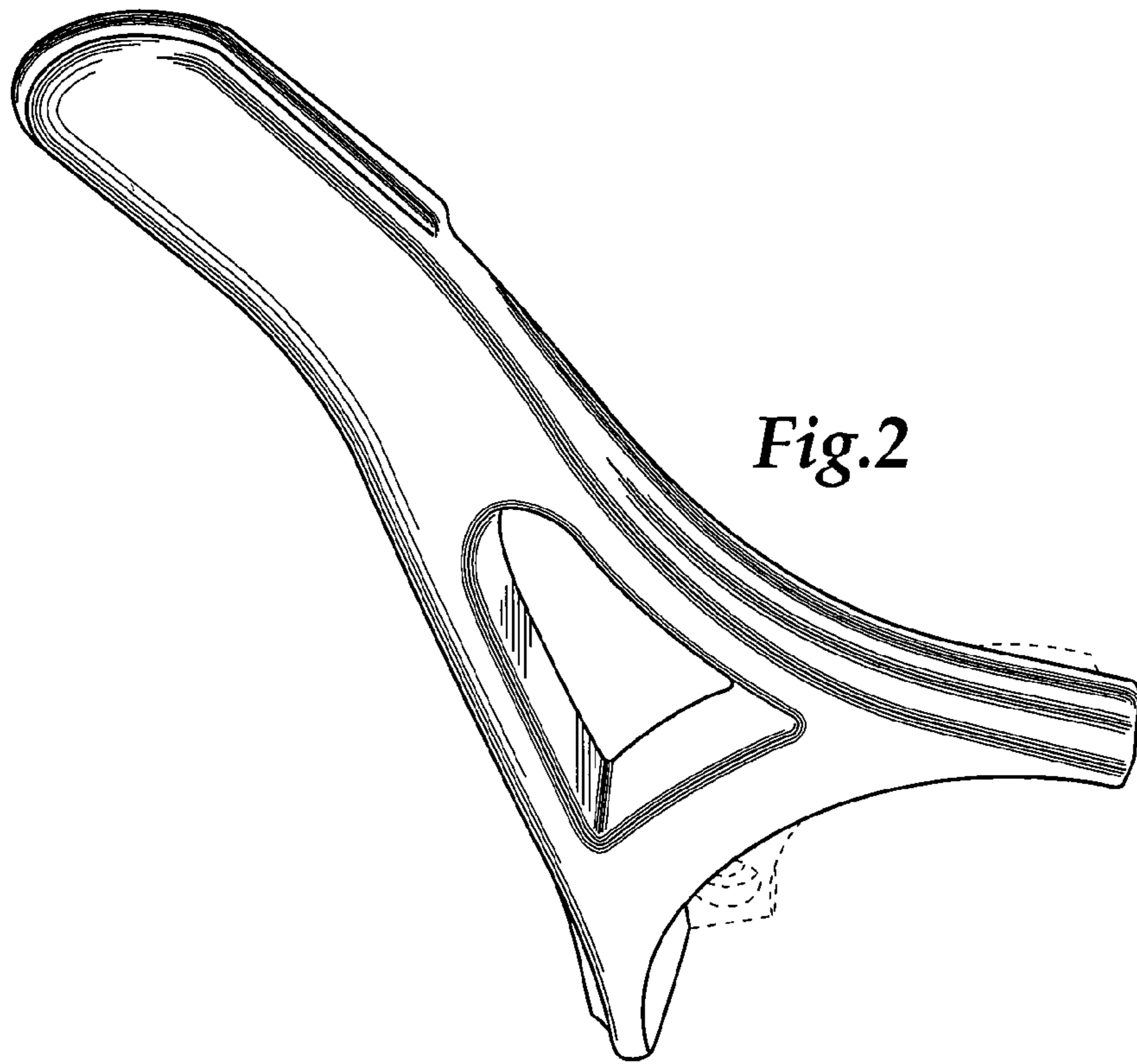


Fig.1



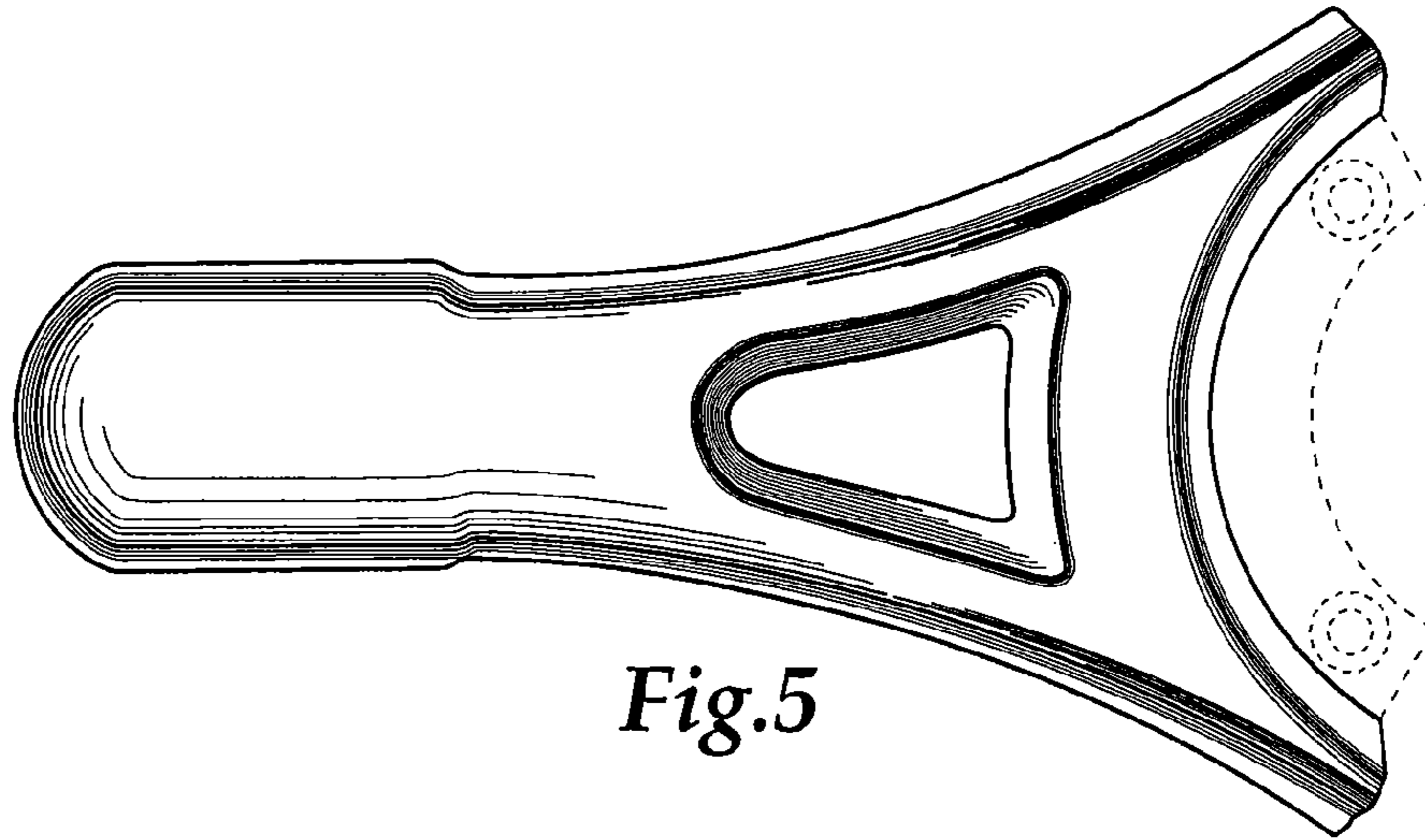


Fig.5

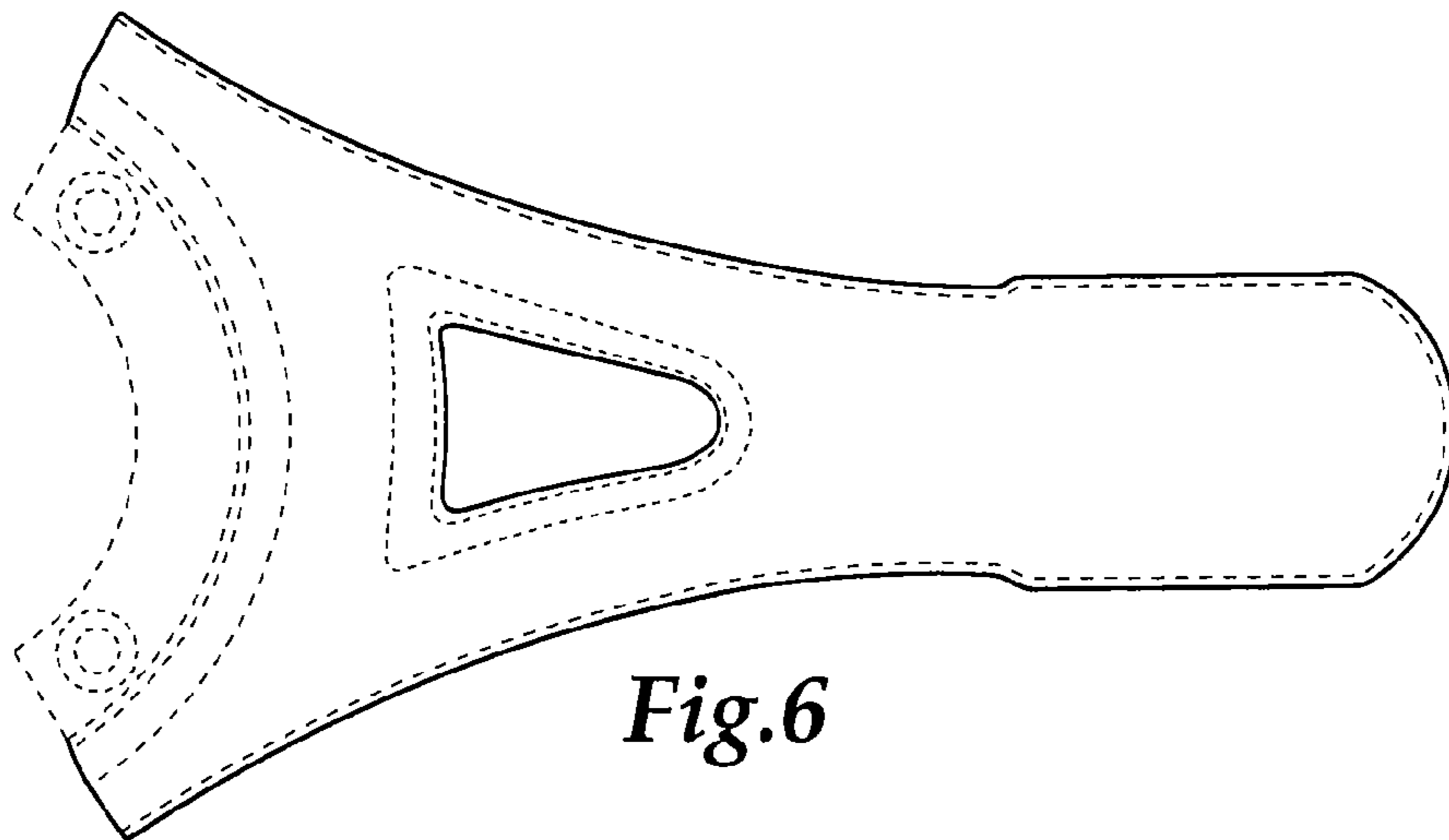


Fig.6

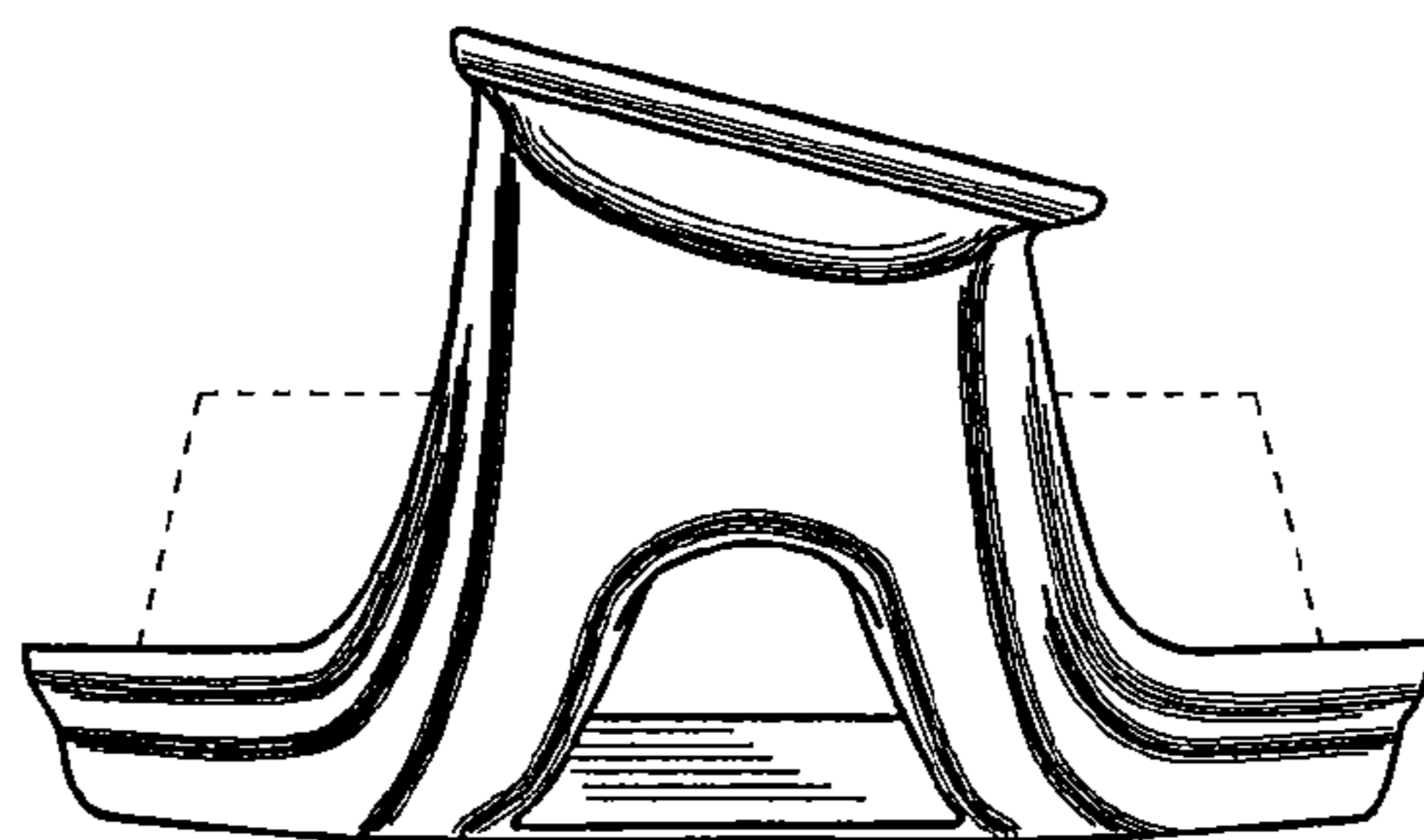


Fig.7