



US00D620098S

(12) **United States Design Patent**
Lau et al.

(10) **Patent No.:** **US D620,098 S**
(45) **Date of Patent:** **** Jul. 20, 2010**

(54) **CURVED BURNER FIREPLACE**

5,988,159 A * 11/1999 Blount 126/512
6,095,794 A * 8/2000 Jamieson et al. 431/125

(75) Inventors: **George H. K. Lau**, Vancouver (CA);
Andrew Mah, Vancouver (CA)

(Continued)

(73) Assignee: **FPI Fireplace Products International Ltd.**, British Columbia (CA)

FOREIGN PATENT DOCUMENTS

(**) Term: **14 Years**

EM 714423-0001 * 4/2007

(21) Appl. No.: **29/303,895**

(Continued)

(22) Filed: **Feb. 20, 2008**

Primary Examiner—Robert M Spear
Assistant Examiner—Karen Acker
(74) *Attorney, Agent, or Firm*—Snell & Wilmer L.L.P.

(51) **LOC (9) Cl.** **23-03**

(52) **U.S. Cl.** **D23/403**

(58) **Field of Classification Search** D23/331,
D23/335–341, 343, 344, 346, 350, 386, 387,
D23/390, 391, 393, 396–410, 415–421, 499;
D7/402, 407, 408; 126/12, 13.29, 44, 58,
126/92 AC, 144, 152 R, 215, 218, 219, 242,
126/243, 245, 500, 501, 509, 510, 544, 546,
126/548; 428/15, 21, 102; 431/125, 258,
431/268, 298, 302

(57) **CLAIM**

The ornamental design for the curved burner fireplace, as shown and described.

See application file for complete search history.

DESCRIPTION

FIG. 1 is a perspective view of a new design of the curved burner fireplace in one exemplary embodiment of the present invention;

(56) **References Cited**

U.S. PATENT DOCUMENTS

204,506 A *	6/1878	Ruggles	126/544
2,578,564 A *	12/1951	Love et al.	126/298
3,394,697 A *	7/1968	Lewis	126/502
3,747,585 A *	7/1973	Coats	126/92 R
4,191,161 A *	3/1980	Kling	126/508
4,194,490 A *	3/1980	Crnkovic	126/553
4,217,880 A *	8/1980	Turner, Jr.	126/531
D286,322 S *	10/1986	Catania et al.	D23/406
4,688,548 A *	8/1987	Stoughton	126/298
4,770,159 A *	9/1988	Brown et al.	126/541
4,838,781 A *	6/1989	Fischer	431/125
5,263,852 A *	11/1993	Beck	431/125
5,392,763 A *	2/1995	Shaw et al.	126/512
5,399,084 A *	3/1995	McCullough et al.	431/125
5,664,556 A *	9/1997	Byers	126/553
5,722,824 A *	3/1998	Beck	431/125
5,794,610 A *	8/1998	Facchina	126/512

FIG. 2 is a front view of a new design of the curved burner fireplace of FIG. 1;

FIG. 3 is a back view of a new design of the curved burner fireplace of FIG. 1;

FIG. 4 is a right side view of a new design of the curved burner fireplace of FIG. 1;

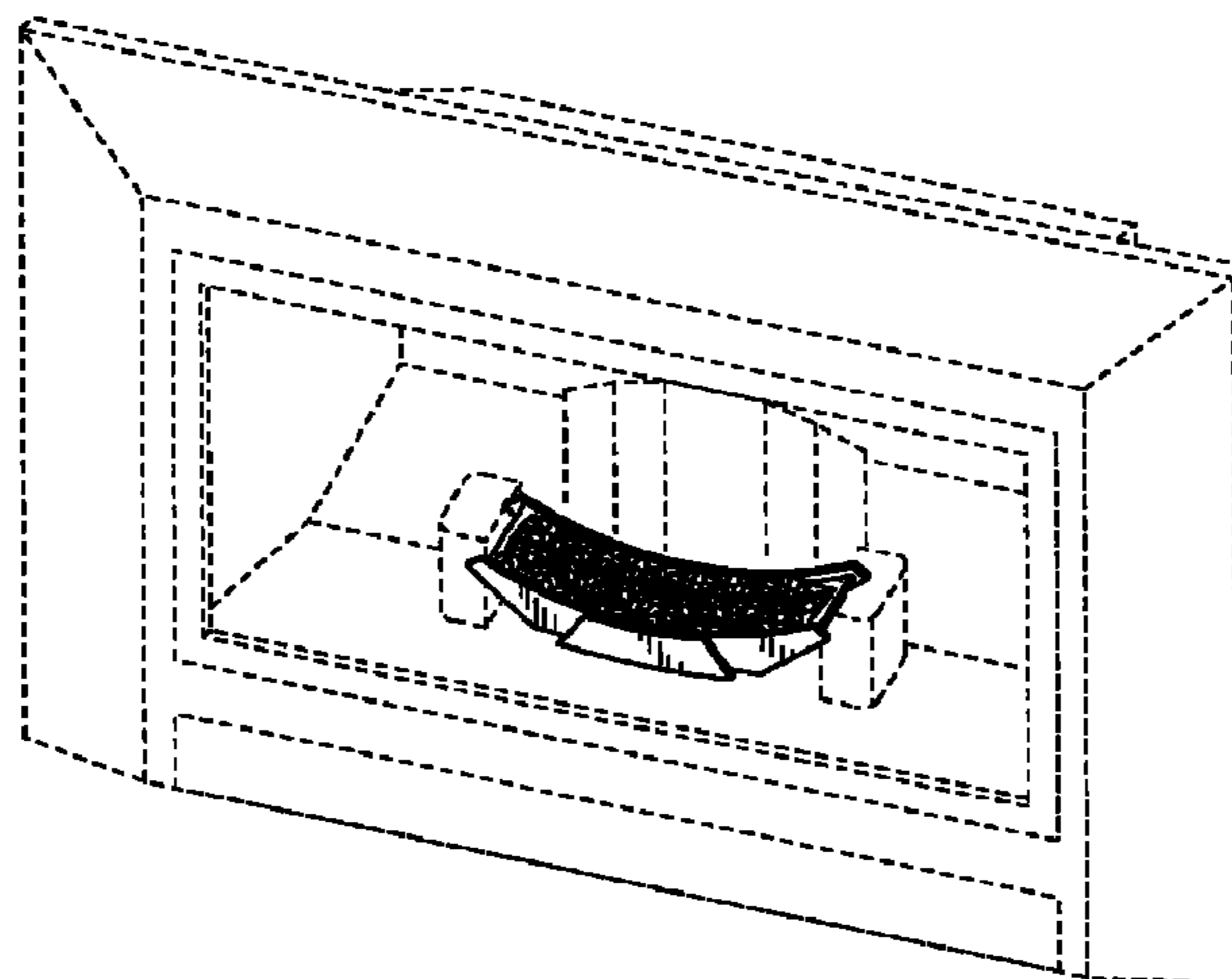
FIG. 5 is a left side view of a new design of the curved burner fireplace of FIG. 1;

FIG. 6 is a top view of a new design of the curved burner fireplace of FIG. 1; and,

FIG. 7 is a bottom view of a new design of the curved burner fireplace of FIG. 1.

The broken lines in the drawings represent unclaimed environmental subject matter.

1 Claim, 7 Drawing Sheets



US D620,098 S

Page 2

U.S. PATENT DOCUMENTS

6,129,079 A * 10/2000 French et al. 126/502
D439,652 S * 3/2001 Schonberger et al. D23/406
6,269,809 B1 * 8/2001 Fleming 126/512
6,602,068 B2 * 8/2003 Atemboski et al. 431/125
6,736,132 B2 * 5/2004 Schlosser et al. 126/512
6,880,275 B2 * 4/2005 Mix et al. 40/428

D559,375 S * 1/2008 Rumens et al. D23/403

FOREIGN PATENT DOCUMENTS

EM 714423-0002 * 4/2007
EP 409371 A1 * 1/1991
GB 2182131 A * 5/1987

* cited by examiner

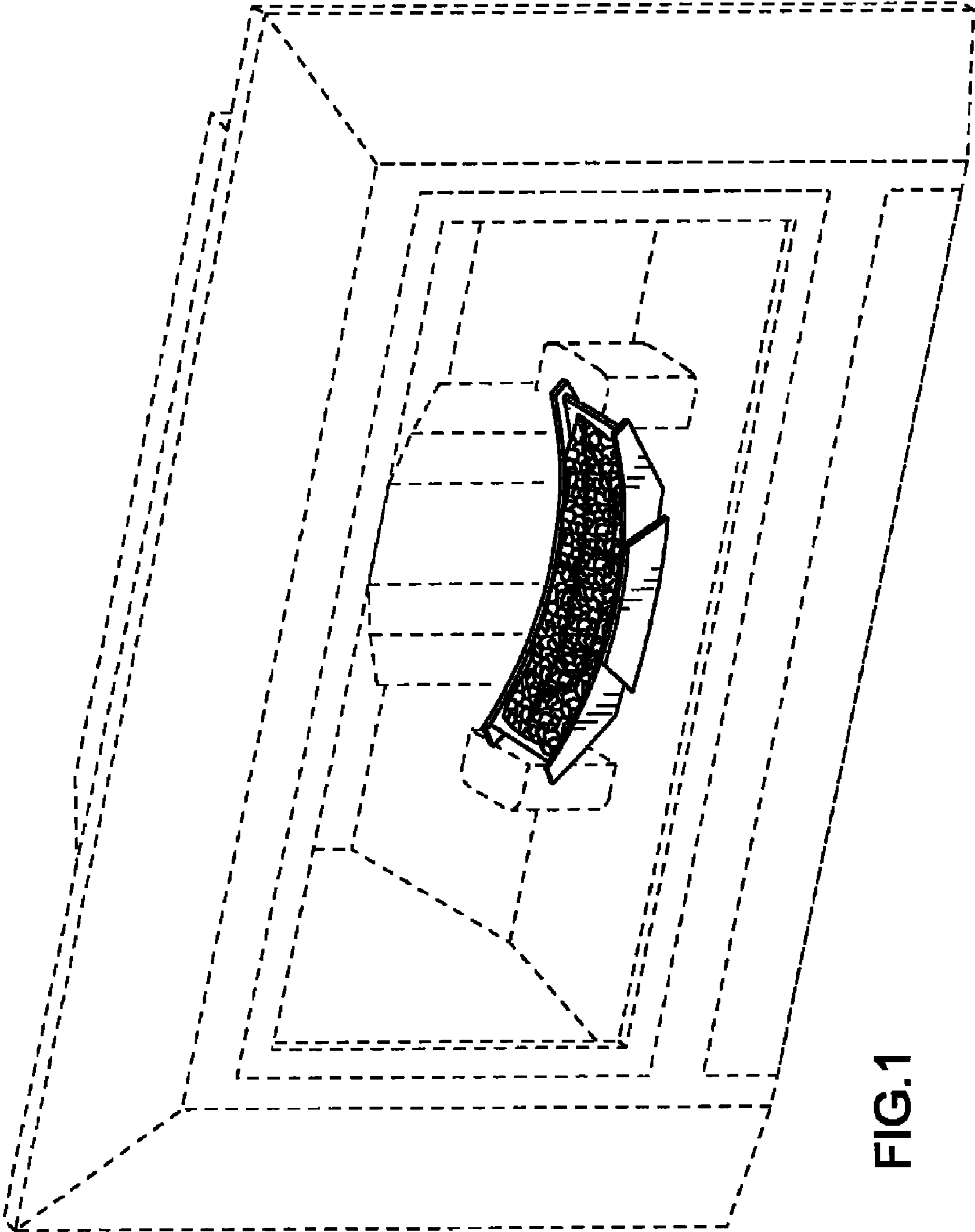


FIG.1

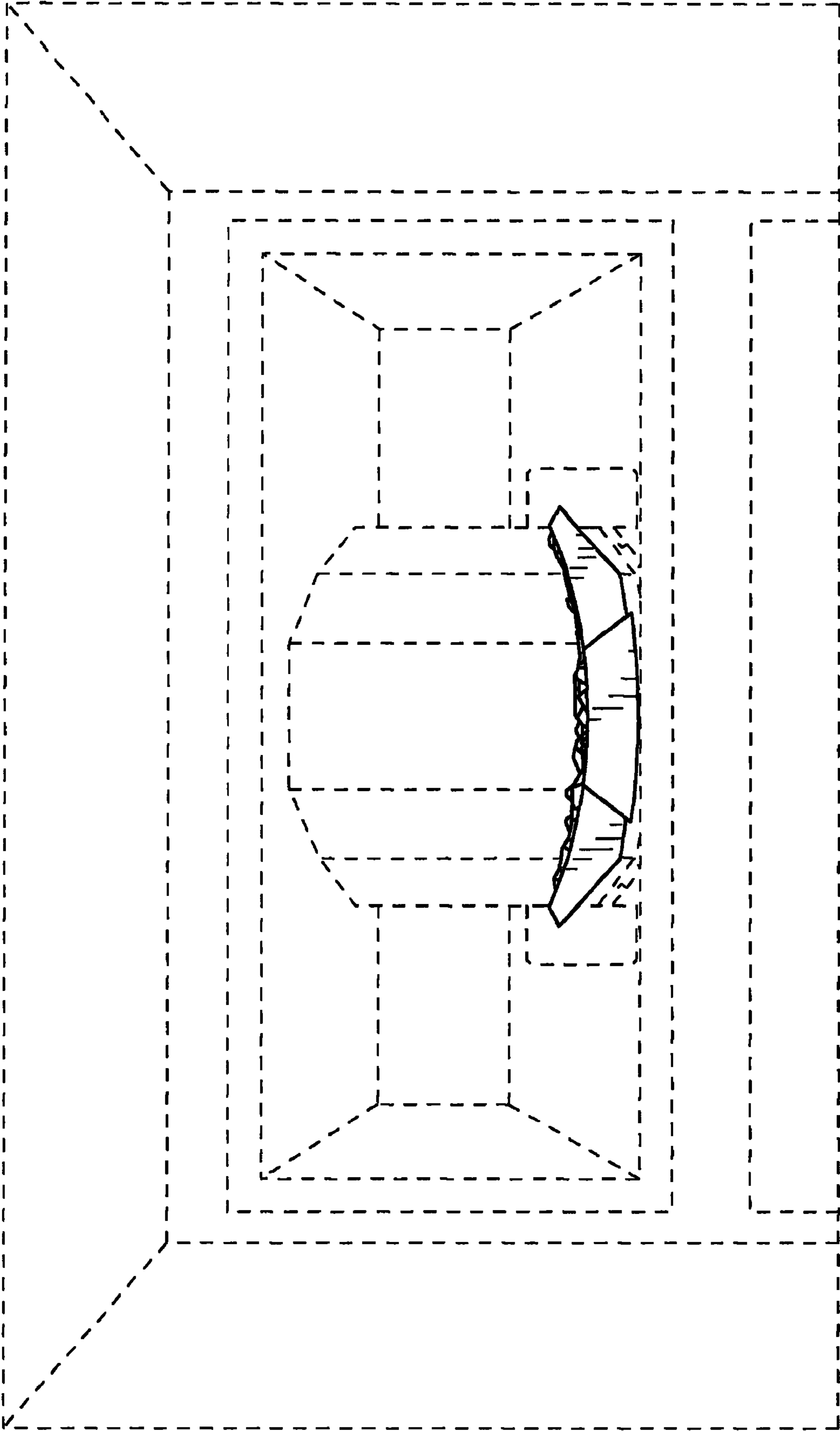


FIG.2

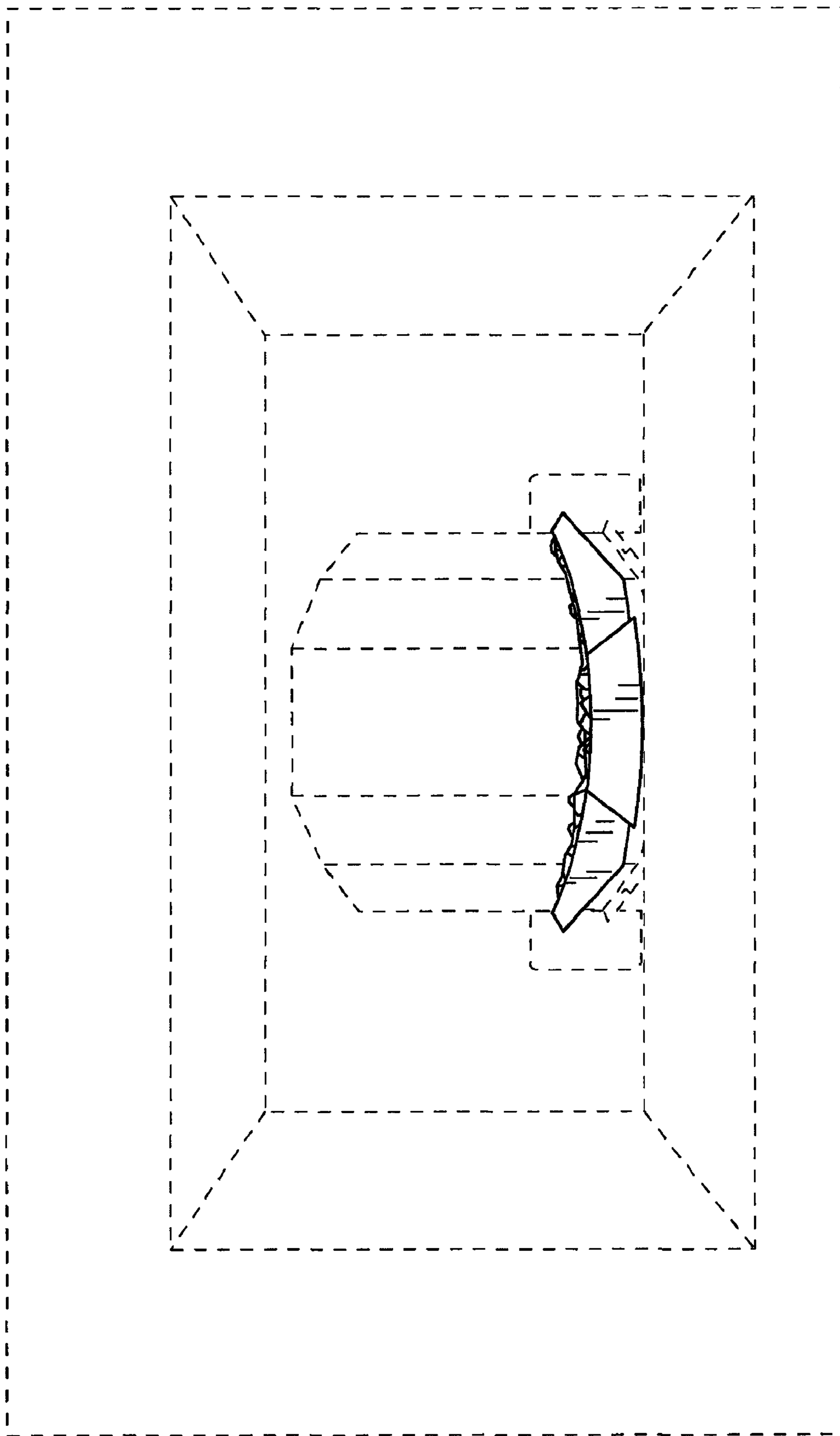


FIG.3

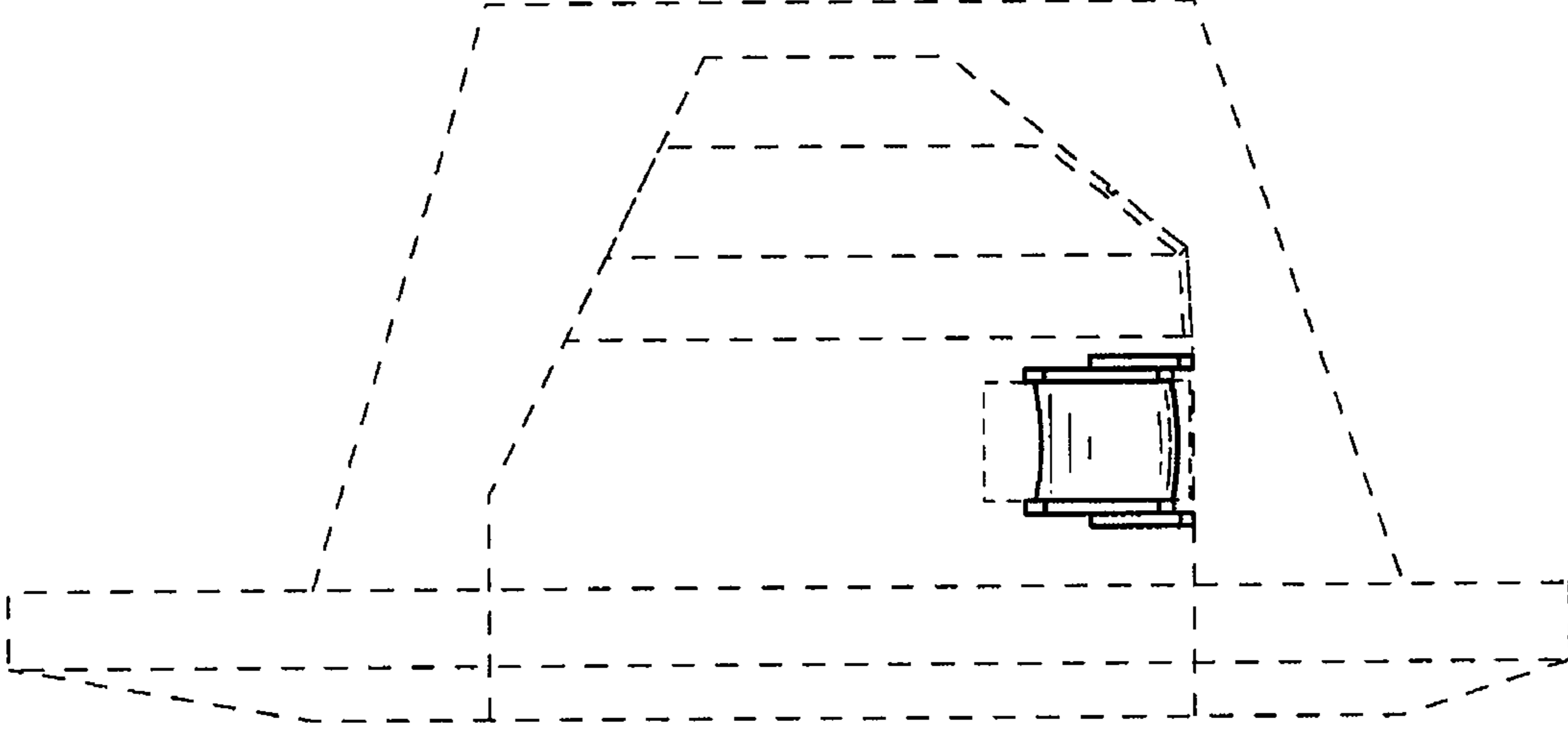


FIG.4

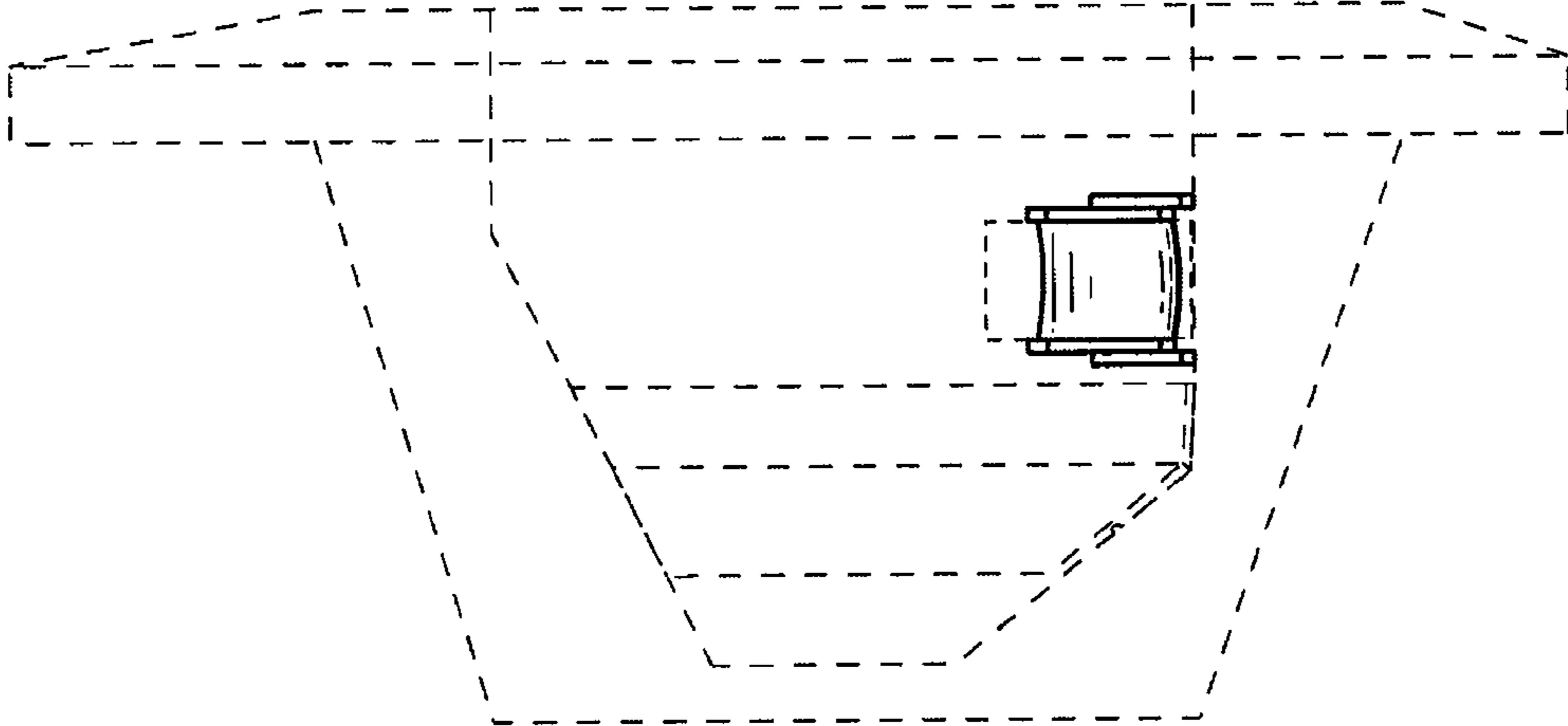


FIG.5

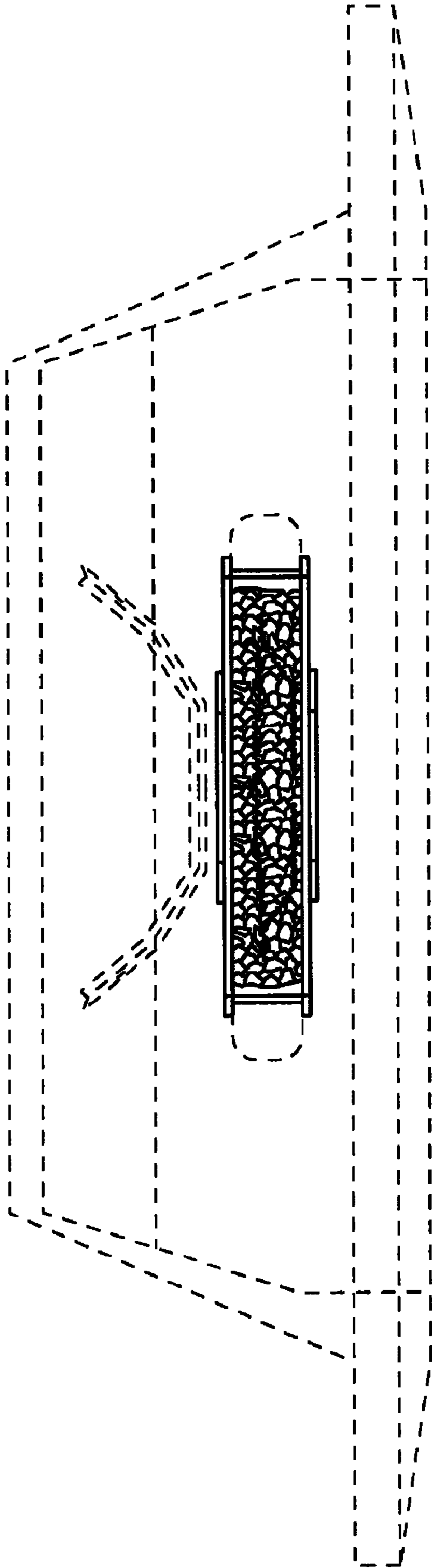


FIG.6

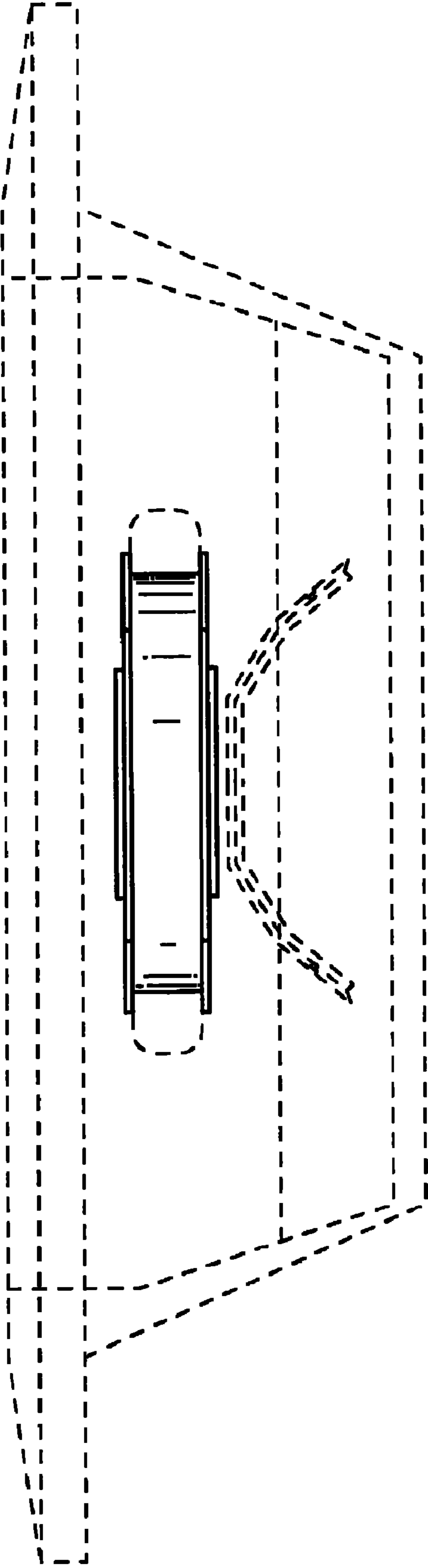


FIG.7