



US00D620097S

(12) **United States Design Patent**  
**Bucher et al.**

(10) **Patent No.:** **US D620,097 S**  
(45) **Date of Patent:** **\*\* Jul. 20, 2010**

(54) **SMALL TOWER FAN AND PEDESTAL STAND**

(75) Inventors: **John C. Bucher**, Hillsboro Bch, FL (US); **Chad J. Ricker**, North Lauderdale, FL (US)

(73) Assignee: **Chien Luen Industries Co., Ltd., Inc.**, Oakland Park, FL (US)

(\*\*) Term: **14 Years**

(21) Appl. No.: **29/308,557**

(22) Filed: **Jun. 20, 2008**

*Primary Examiner*—Lisa P Lichtenstein

(74) *Attorney, Agent, or Firm*—Brian S. Steinberger; Law Offices of Brian S. Steinberger, P.A.

(57) **CLAIM**

The ornamental design for a small tower fan and pedestal stand, as shown and described.

**DESCRIPTION**

**Related U.S. Application Data**

(62) Division of application No. 29/263,368, filed on Jul. 21, 2006, now Pat. No. Des. 594,110.

(51) **LOC (9) Cl.** ..... **23-04**

(52) **U.S. Cl.** ..... **D23/382**

(58) **Field of Classification Search** ..... D23/382,  
D23/381, 332, 370, 411, 412; 416/246 R,  
416/247 R, 244 R

See application file for complete search history.

(56) **References Cited**

**U.S. PATENT DOCUMENTS**

D322,669 S	12/1991	Yamamoto et al.	
D329,284 S	9/1992	Patton	
D423,093 S	4/2000	Fok	
D459,467 S	6/2002	Wilson, Jr.	
D460,548 S	7/2002	Melwani	
D464,723 S	10/2002	Fok	
D479,593 S	9/2003	Fok	
D479,874 S	9/2003	Shapiro	
D482,778 S	11/2003	Shapiro	
D483,466 S	12/2003	Shapiro	
D484,234 S	12/2003	Wilson, Jr.	
D486,216 S	2/2004	Wilson, Jr.	
D486,217 S	2/2004	Shapiro	
D486,218 S	2/2004	Shapiro	
D486,222 S	2/2004	Shapiro	
D488,551 S	4/2004	Shapiro	
D594,110 S *	6/2009	Bucher et al. ....	D23/382

\* cited by examiner

FIG. 1 is a left front side perspective view of a novel small floor fan tower on elongated tower.

FIG. 2 is right front side perspective view of the novel floor fan tower design of FIG 1.

FIG. 3 is a left rear perspective view of the novel floor fan tower design of FIG. 1.

FIG. 4 is a right rear perspective view of the novel floor fan tower design of FIG. 1.

FIG. 5 is a front view of the novel floor fan tower design of FIG. 1.

FIG. 6 is a right side view of the novel floor fan tower design of FIG. 1.

FIG. 7 is a left side view of the novel floor fan tower design of FIG 1.

FIG. 8 is a top perspective view of the novel floor fan tower design of FIG. 1.

FIG. 9 is a rear view of the novel floor fan tower design of FIG. 1.

FIG. 10 is a top view of the novel floor fan tower design of FIG 1.

FIG. 11 is a bottom view of the novel floor fan tower design of FIG 1.

FIG. 12 is a left front side perspective view of a novel pedestal stand for a fan.

FIG. 13 is right front side perspective view of the novel floor pedestal stand of FIG. 12.

FIG. 14 is a left rear perspective view of the novel floor pedestal stand of FIG. 12.

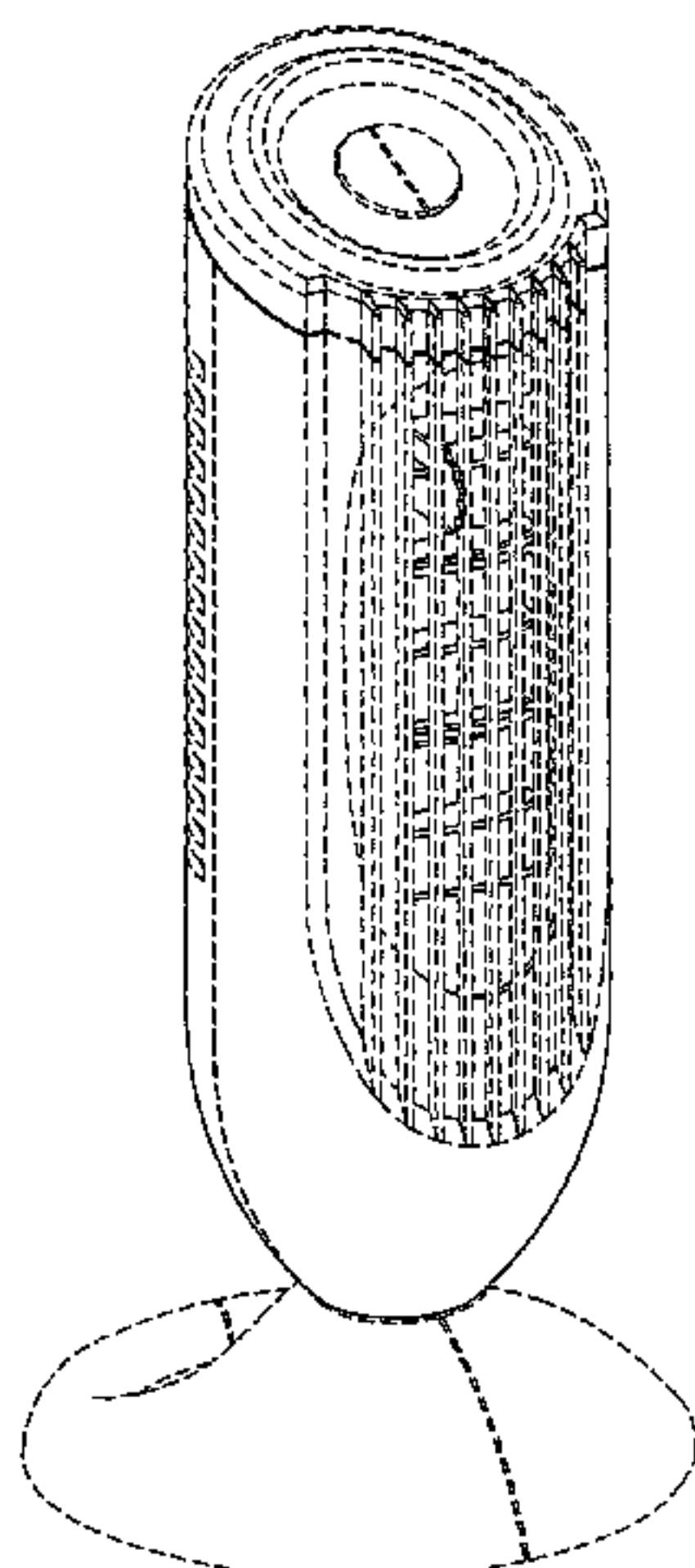


FIG. **15** is a right rear perspective view of the novel floor pedestal stand of FIG. **12**.

FIG. **16** is a front view of the novel floor pedestal stand of FIG. **12**.

FIG. **17** is a right side view of the novel floor pedestal stand of FIG. **12**.

FIG. **18** is a left side view of the novel floor pedestal stand of FIG. **12**.

FIG. **19** is a rear view of the novel floor pedestal stand of FIG. **12**.

FIG. **20** is a top view of the novel floor pedestal stand of FIG. **12**; and,

FIG. **21** is a bottom view of the novel floor pedestal stand of FIG. **12**.

The broken line showing of seams, the rear grid, the power cord, the rear grip cavity, the front grill, the top control panel, the tower fan housing and the bottom of the base is included for the purpose of illustrating environmental structure and forms no part of the claimed design.

**1 Claim, 19 Drawing Sheets**

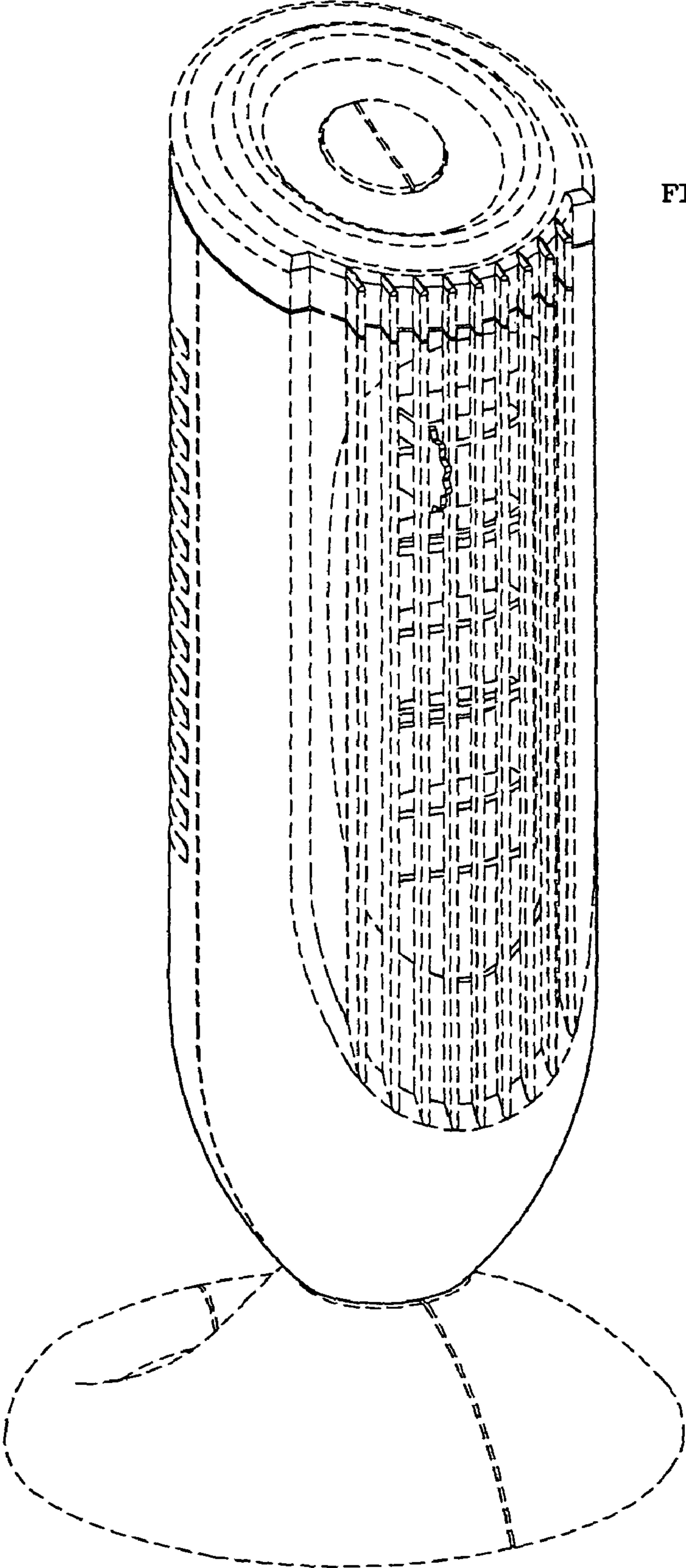


FIG. 1

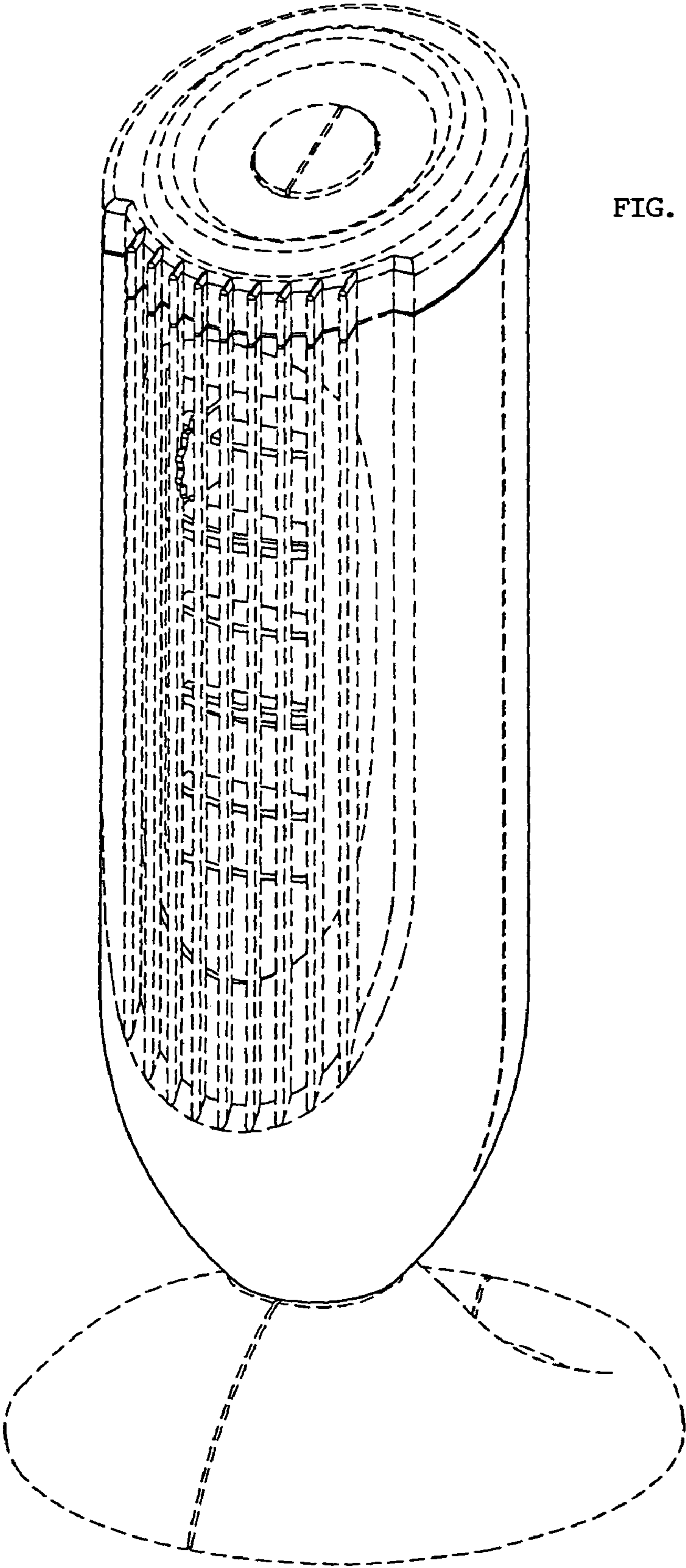


FIG. 2



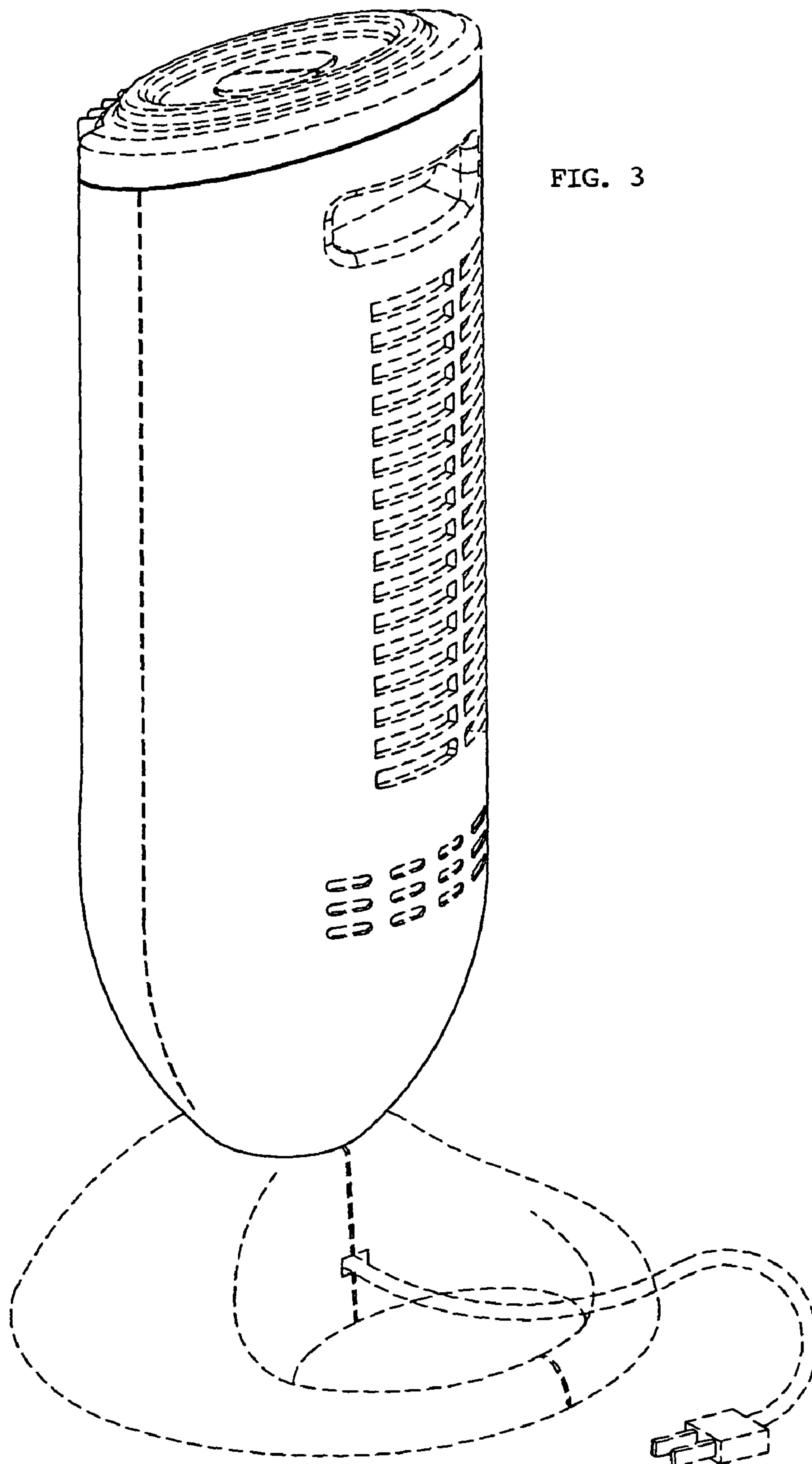


FIG. 3

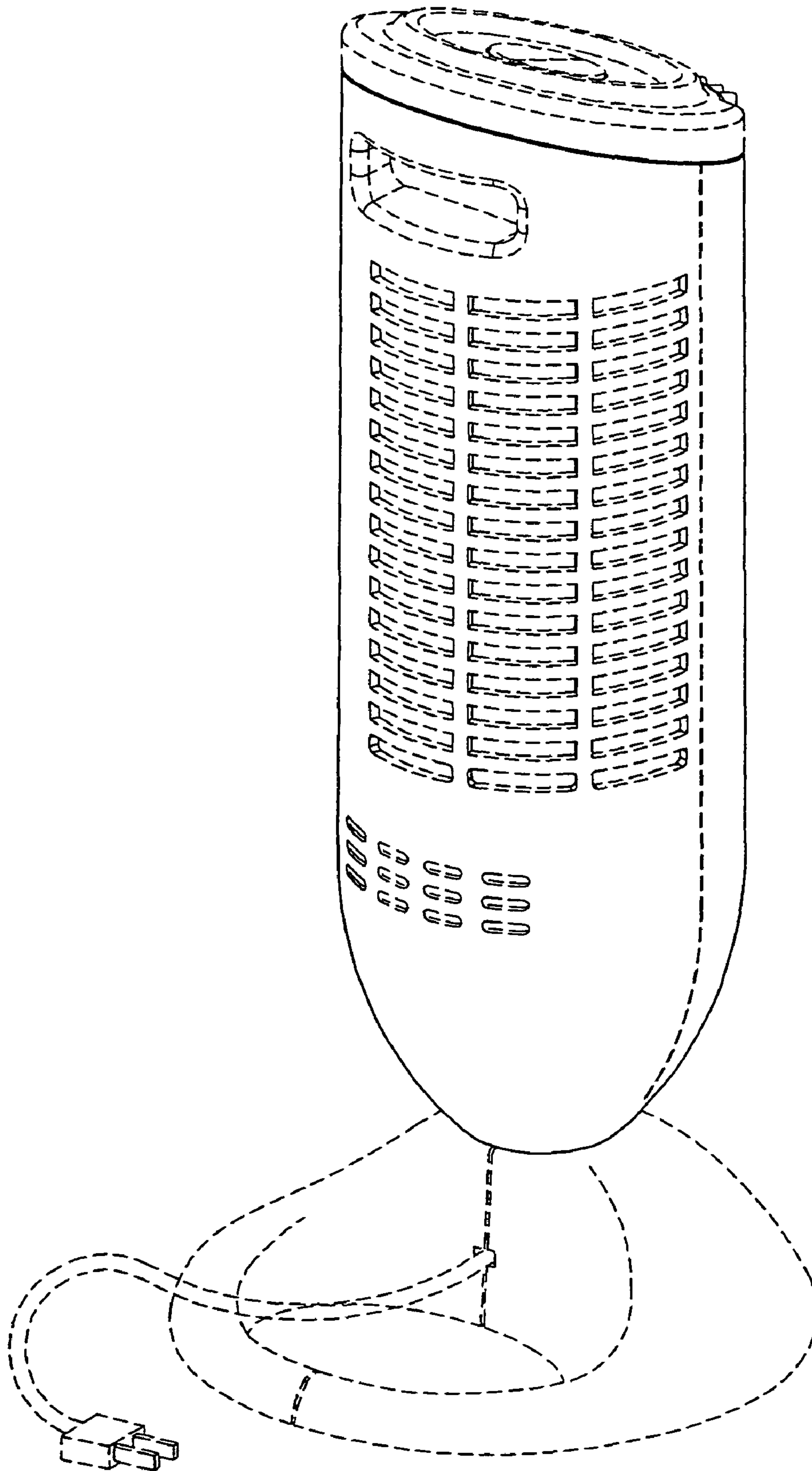


FIG. 4

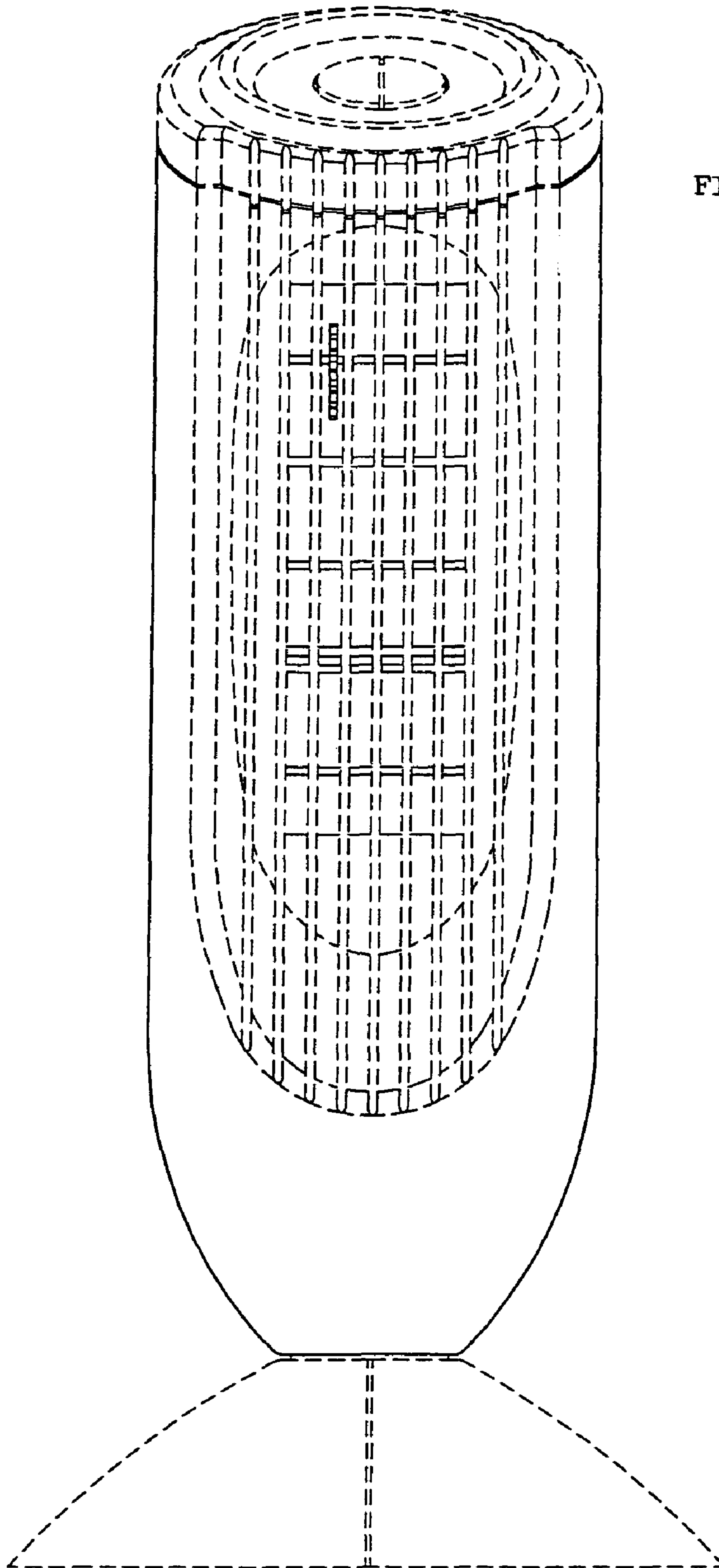
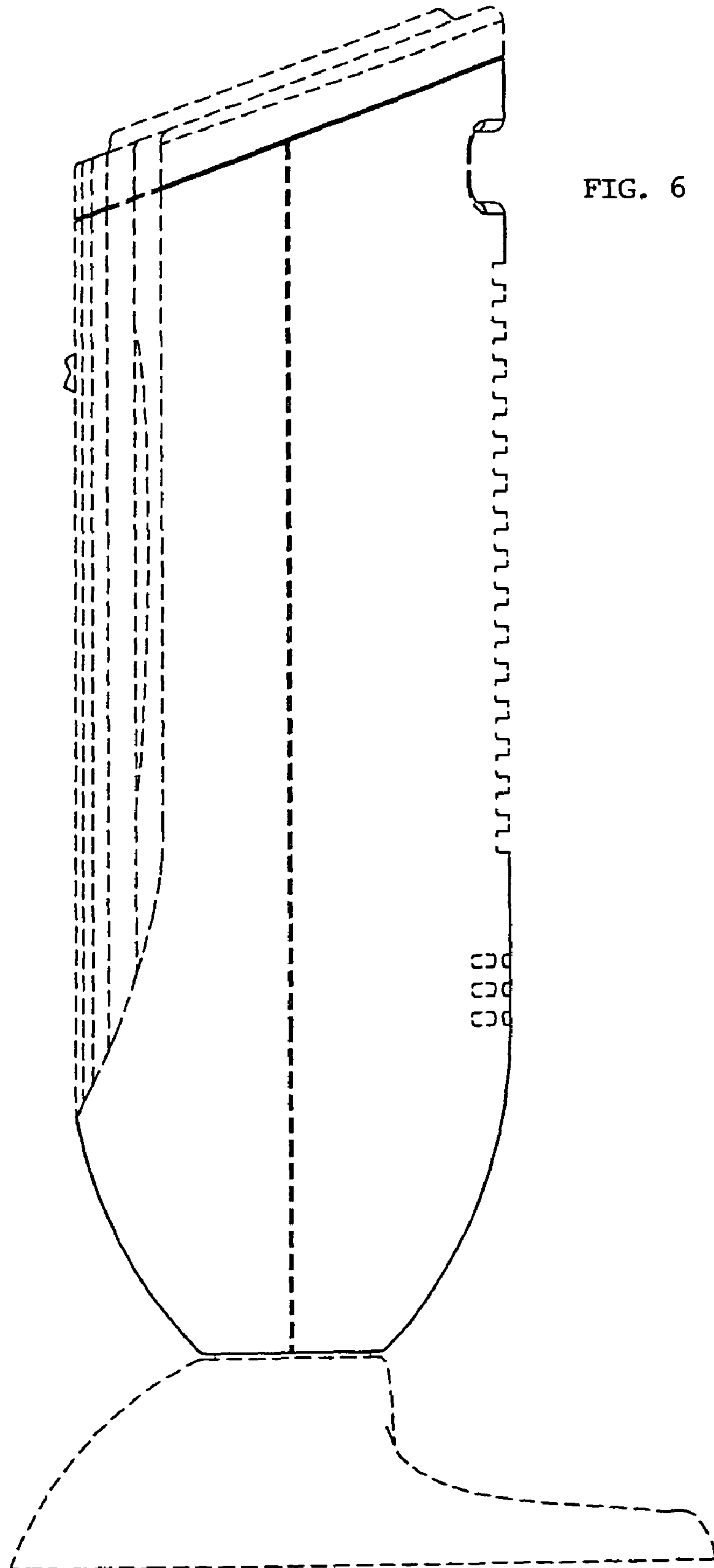


FIG. 5





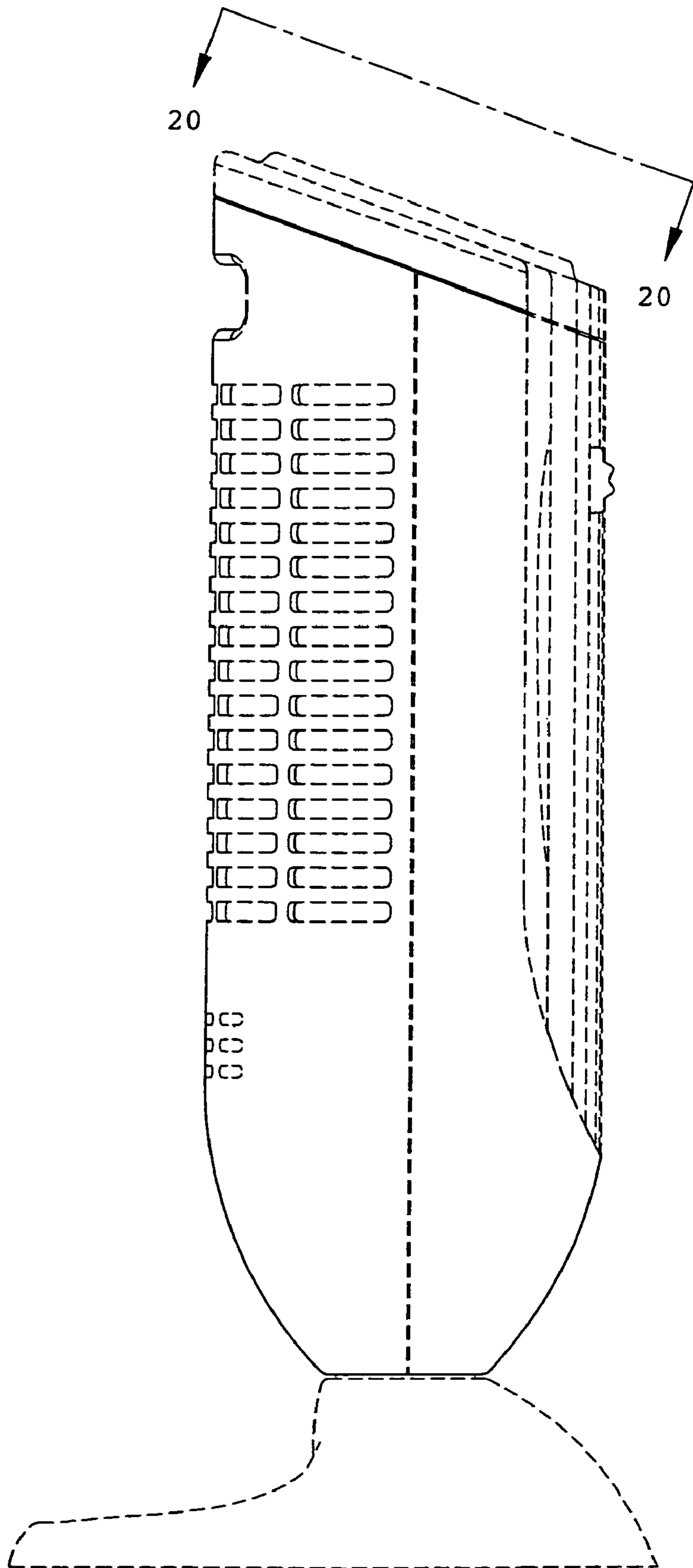


FIG. 7

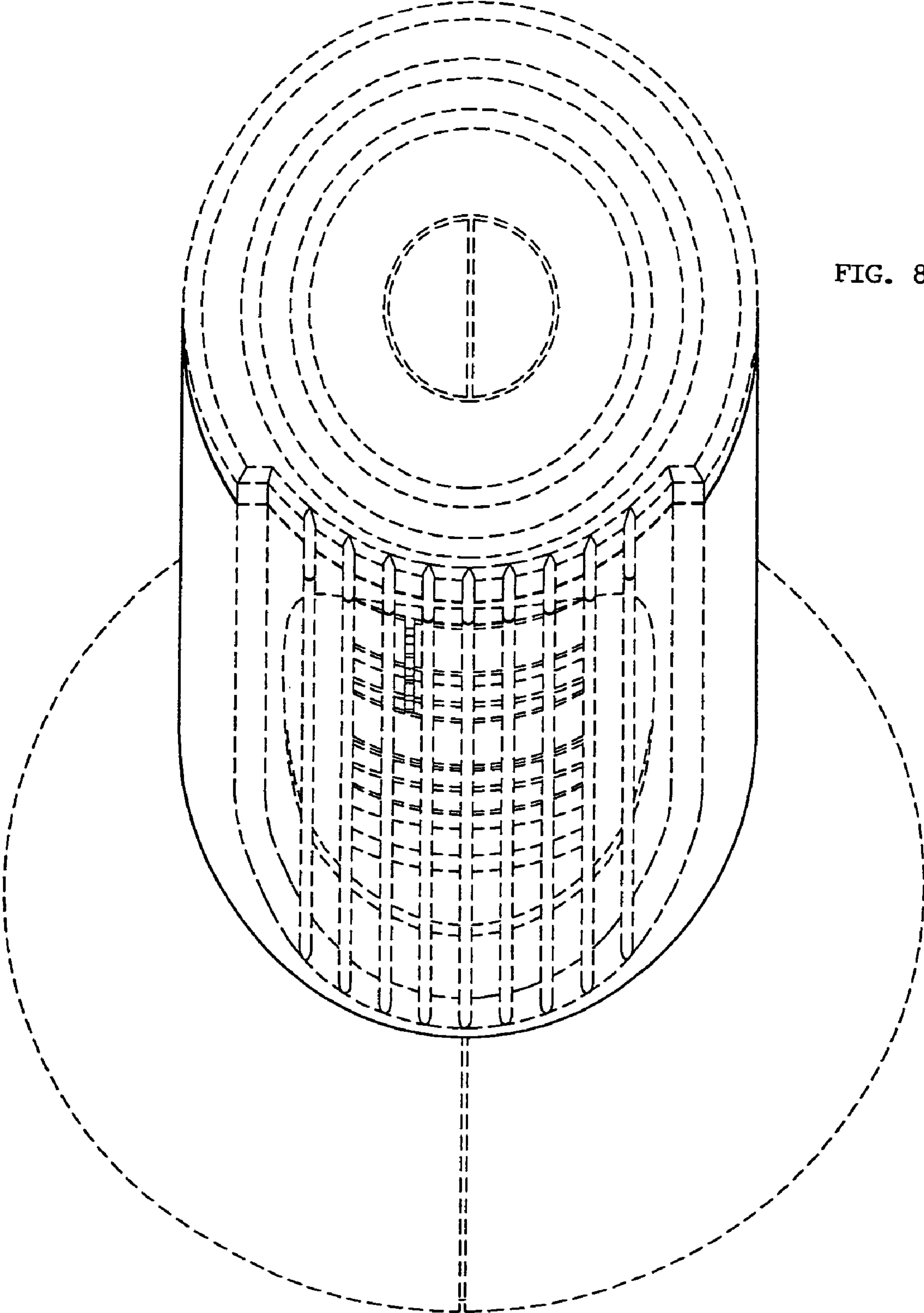


FIG. 8

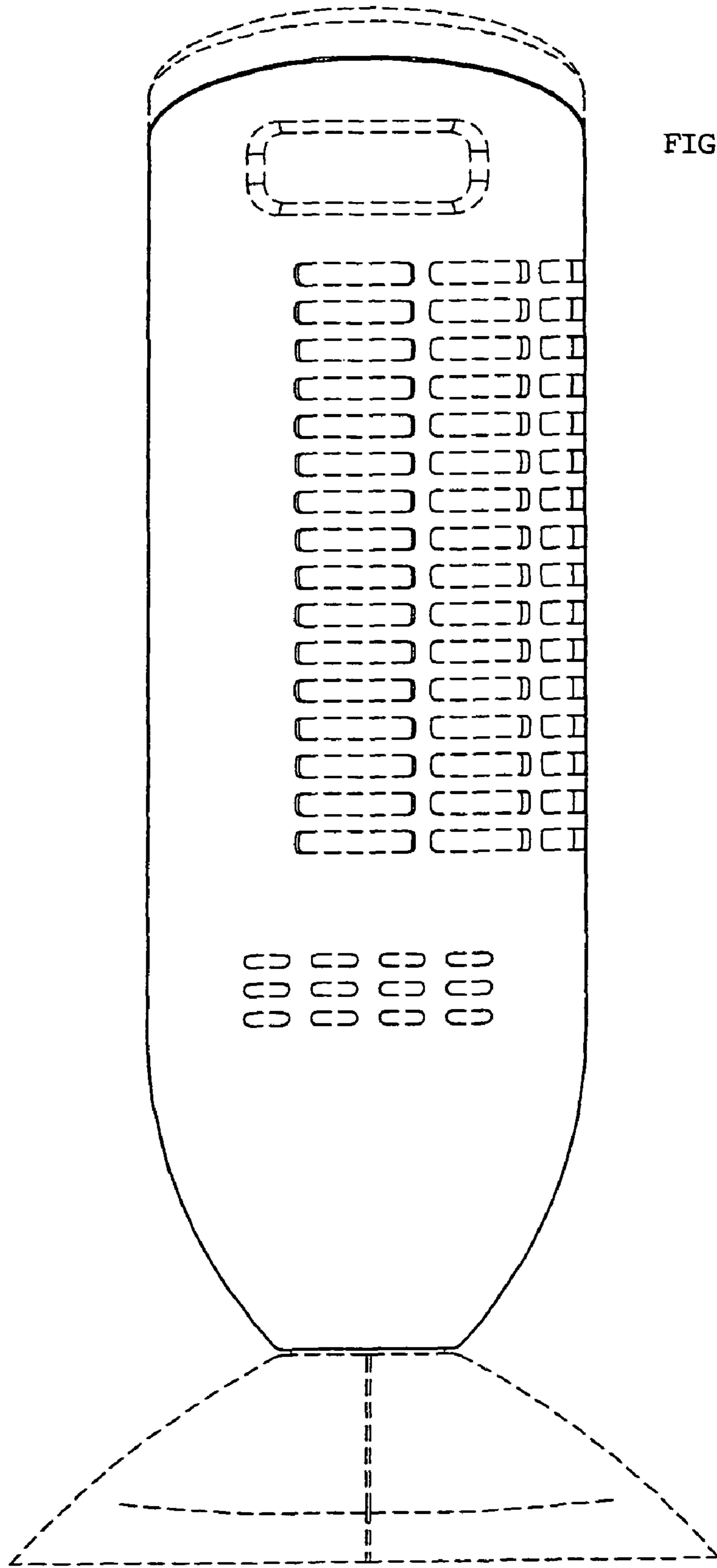


FIG. 9

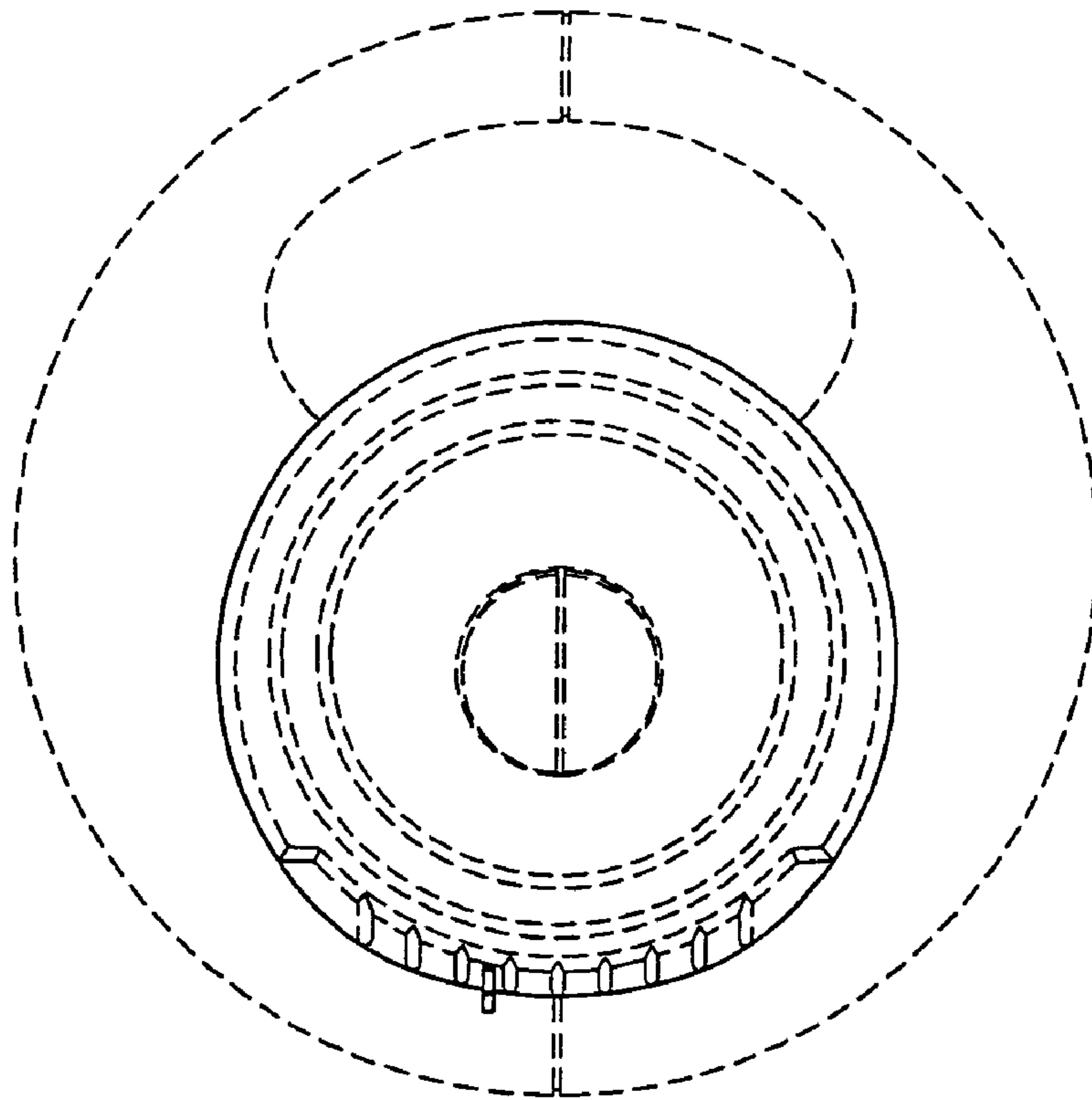


FIG. 10

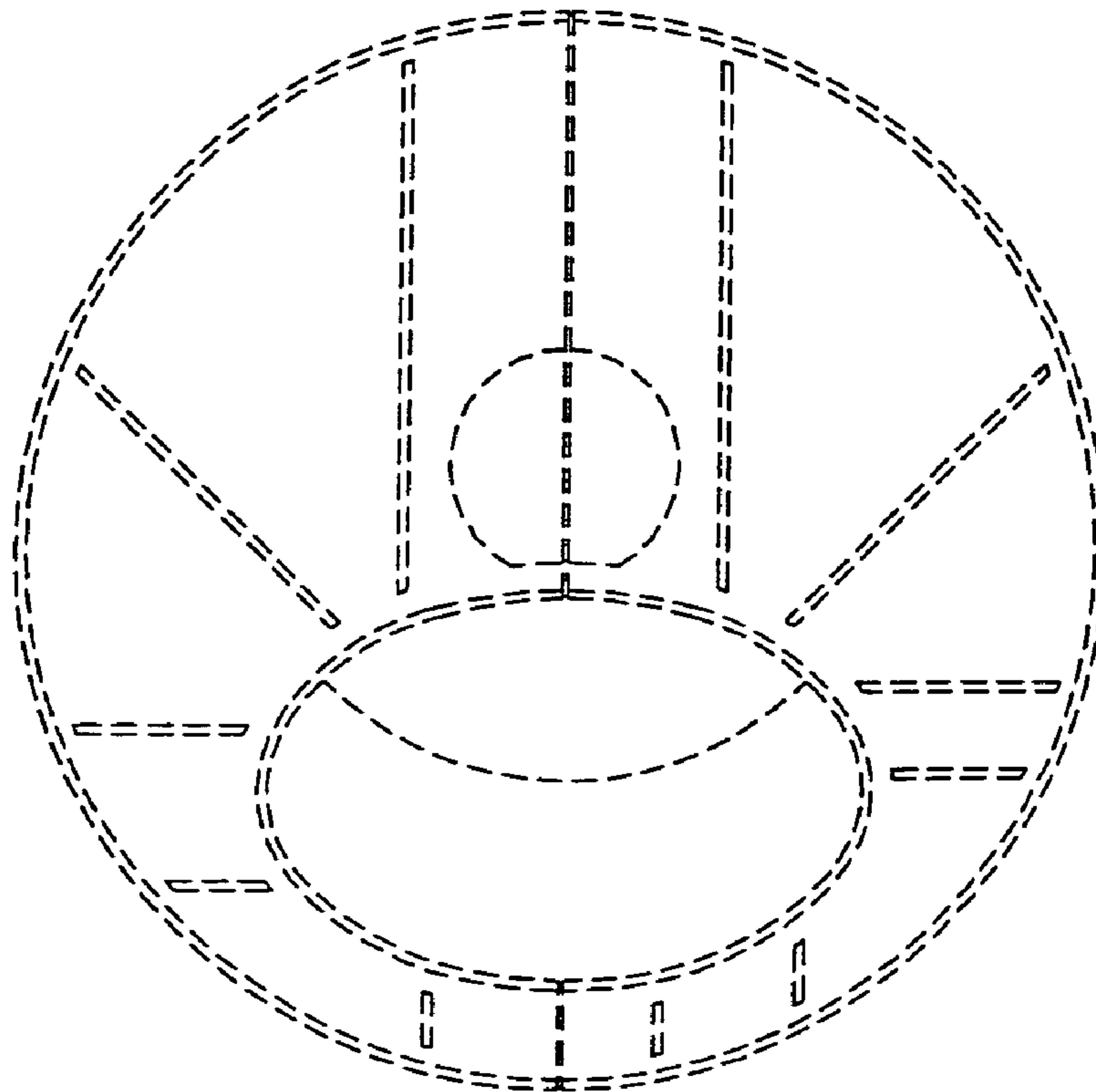


FIG. 11

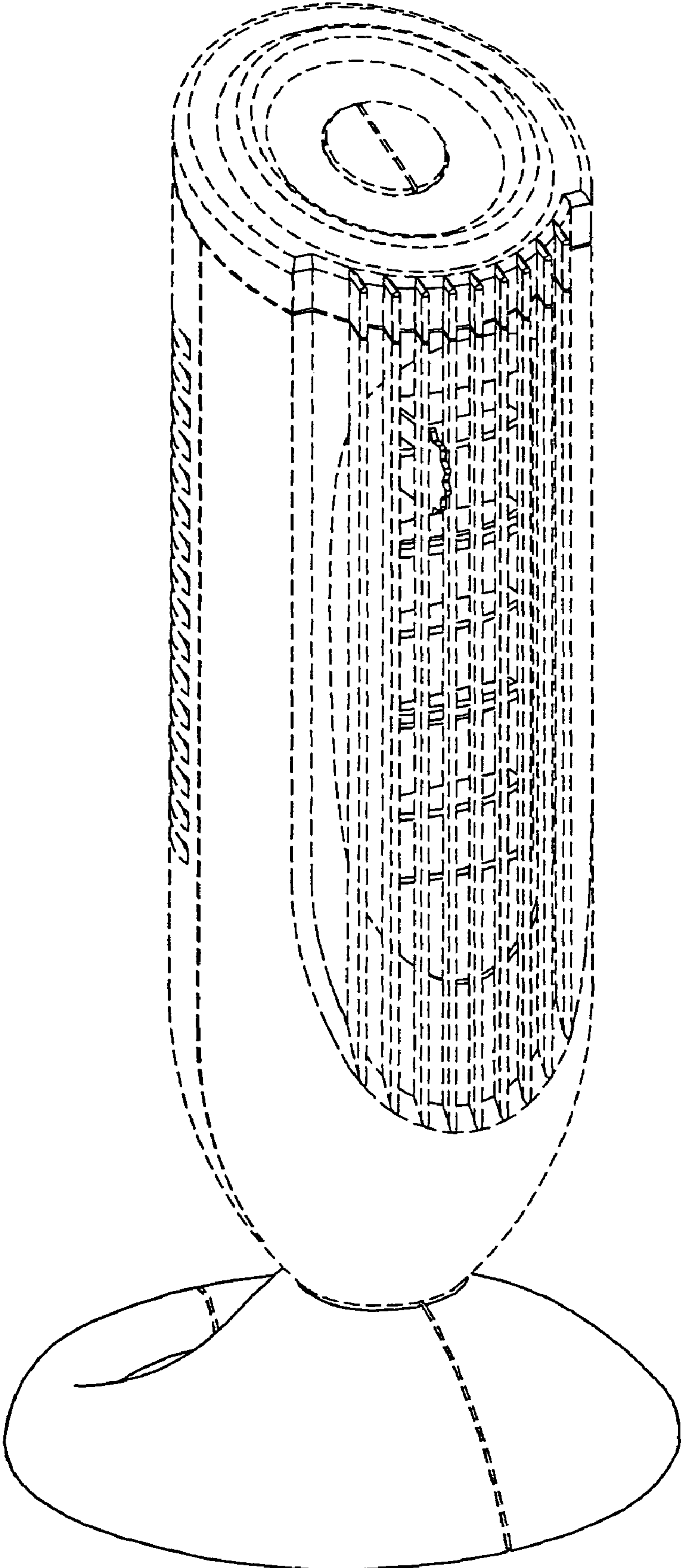


FIG. 12



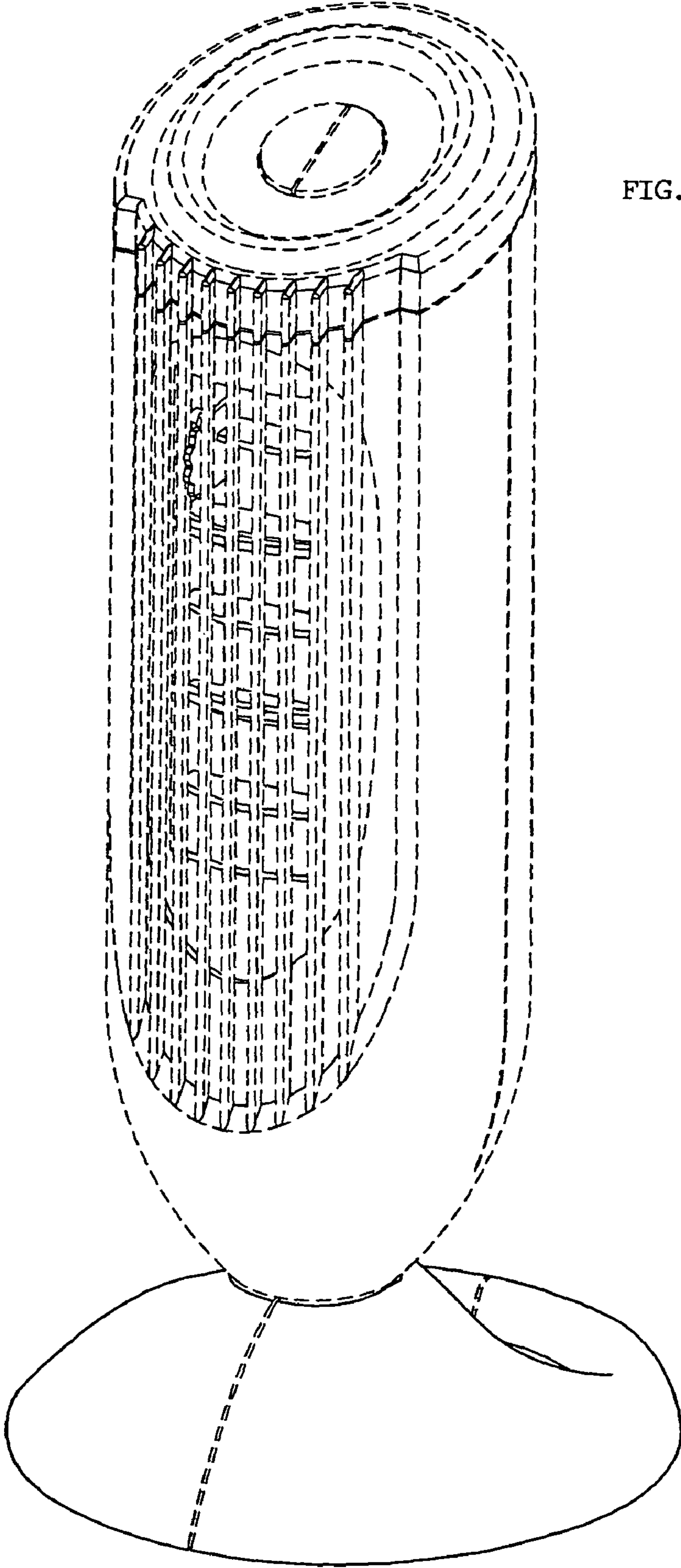


FIG. 13

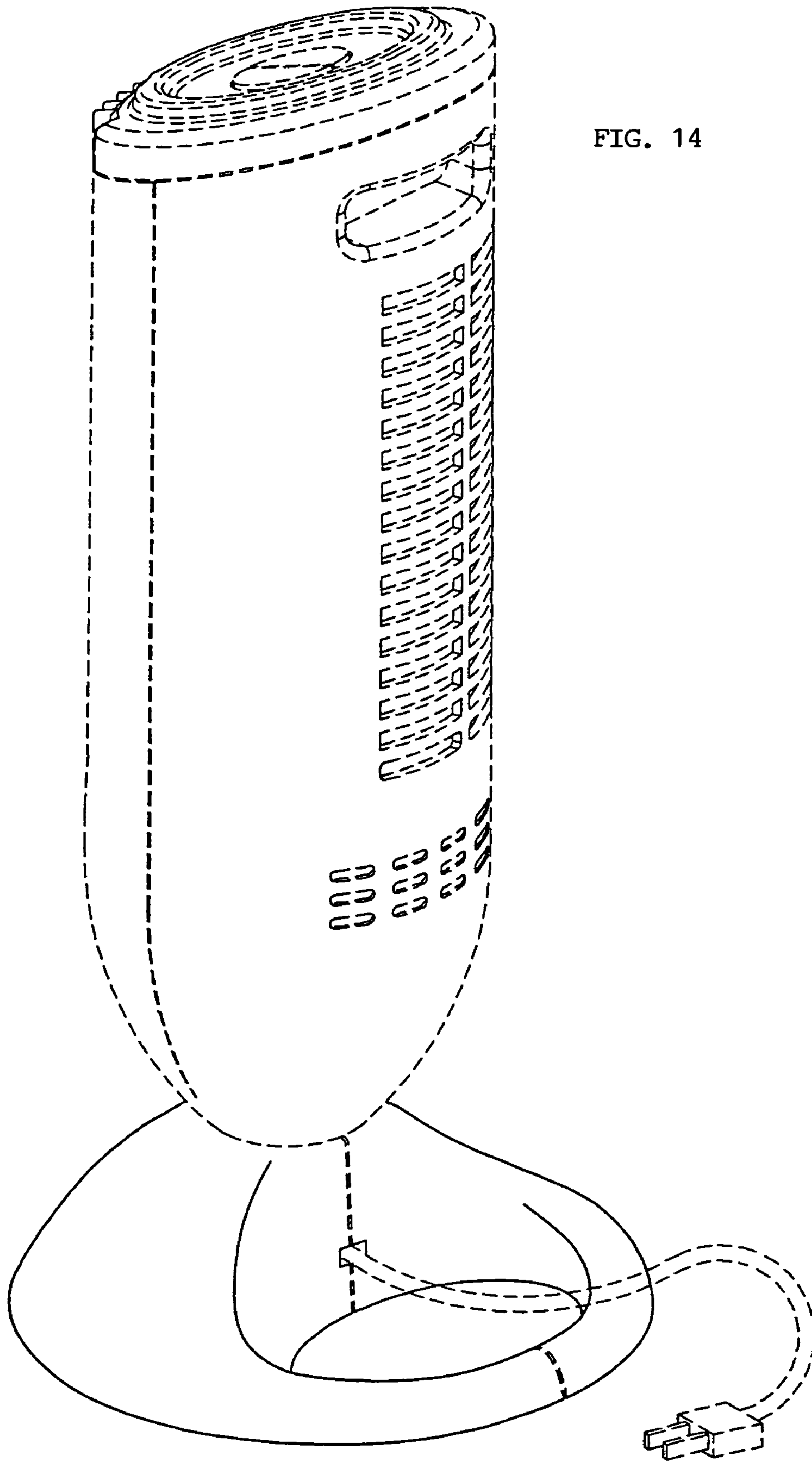


FIG. 14

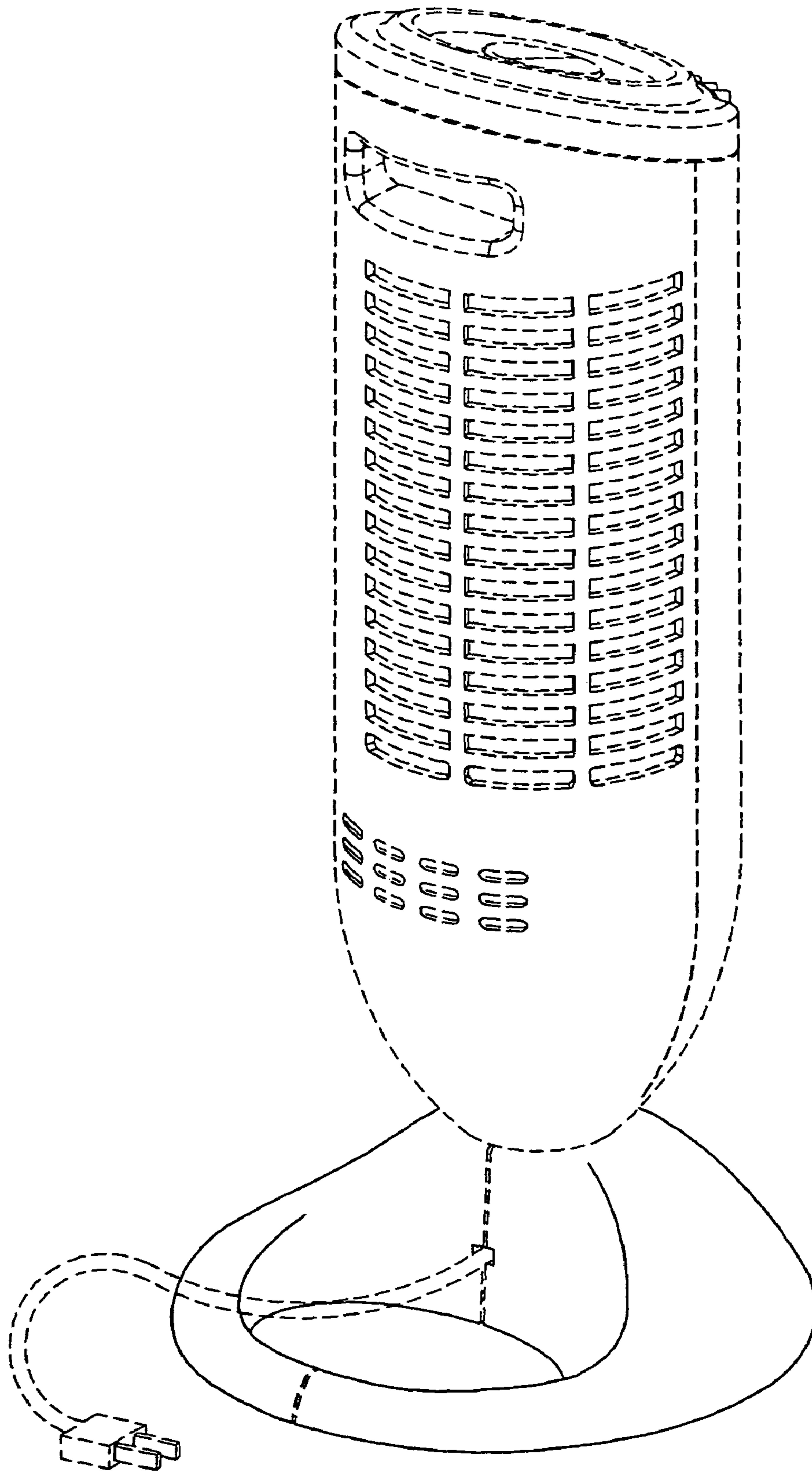


FIG. 15

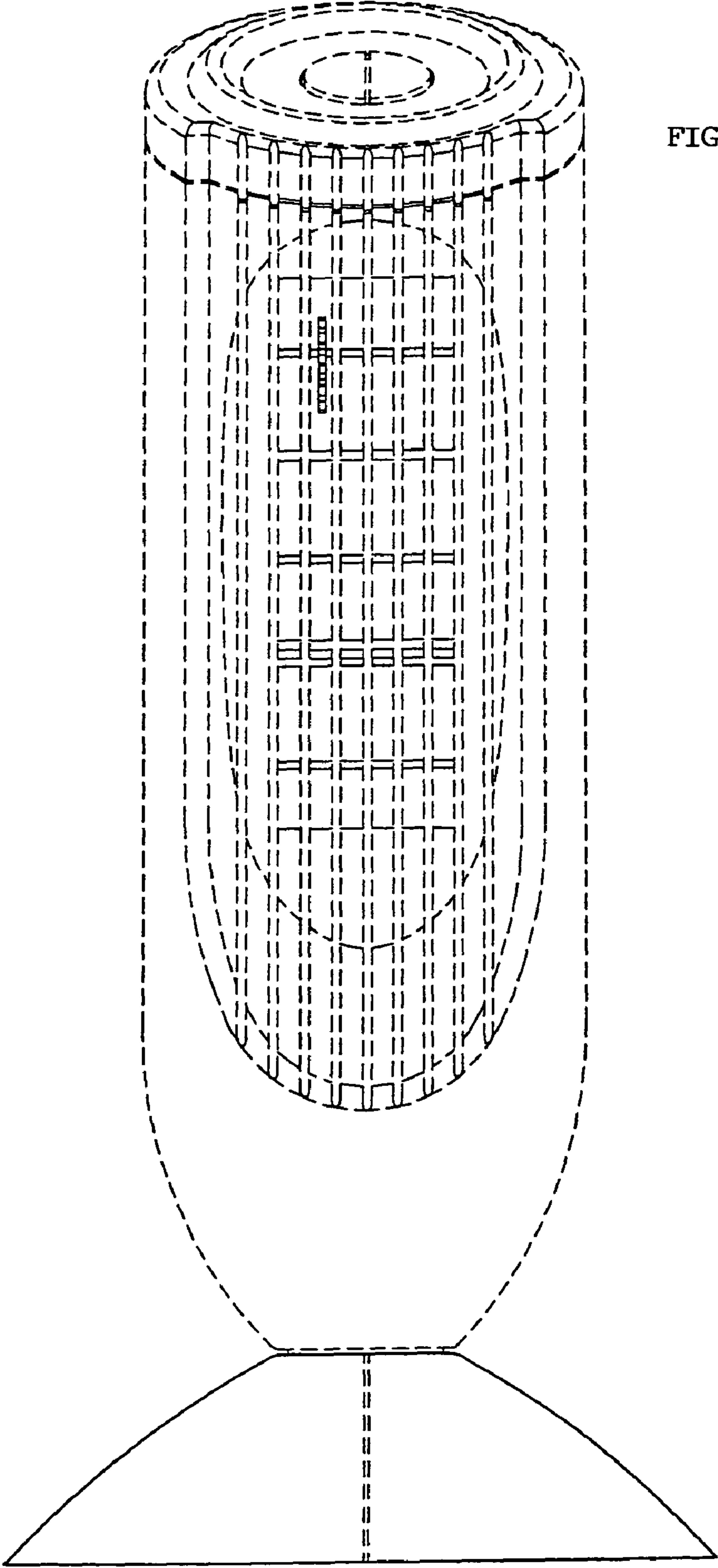
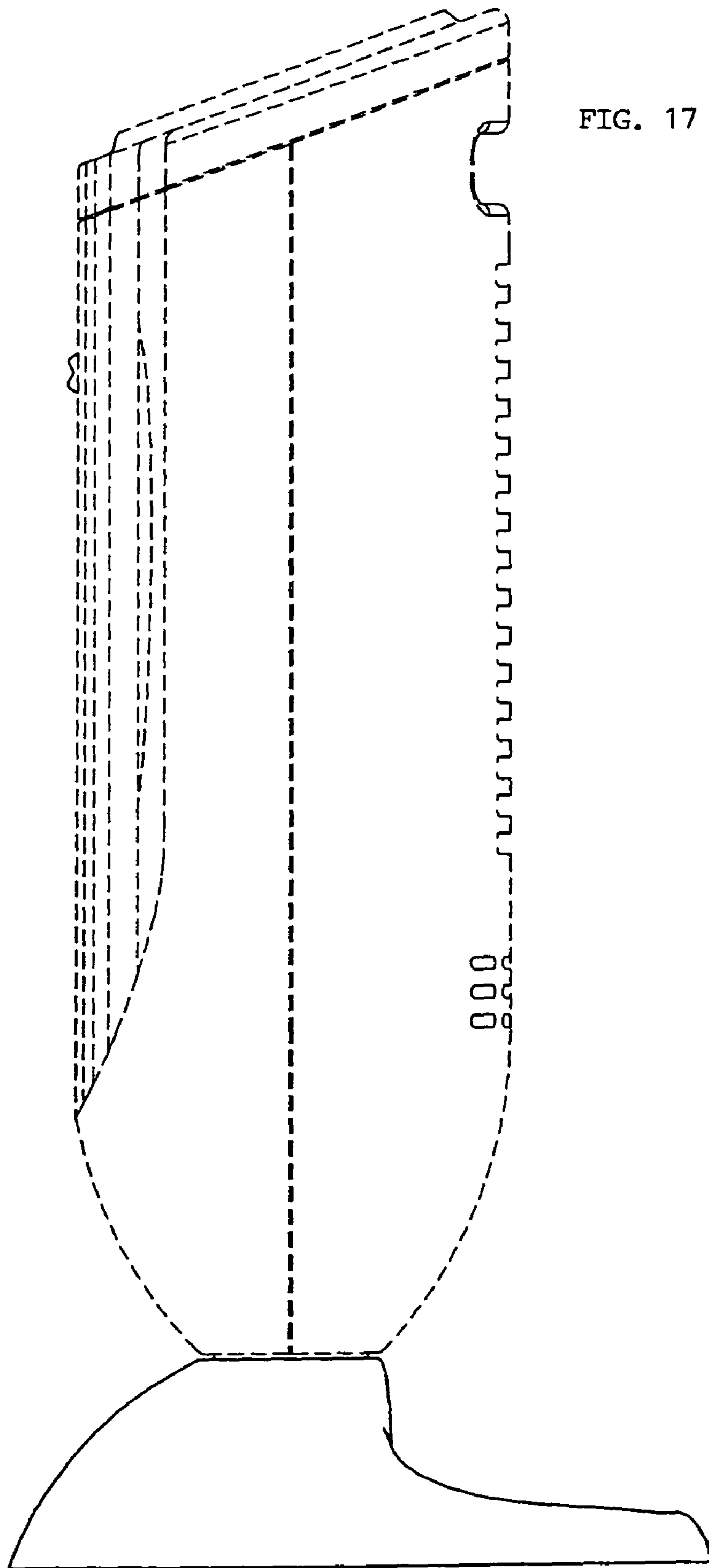


FIG. 16





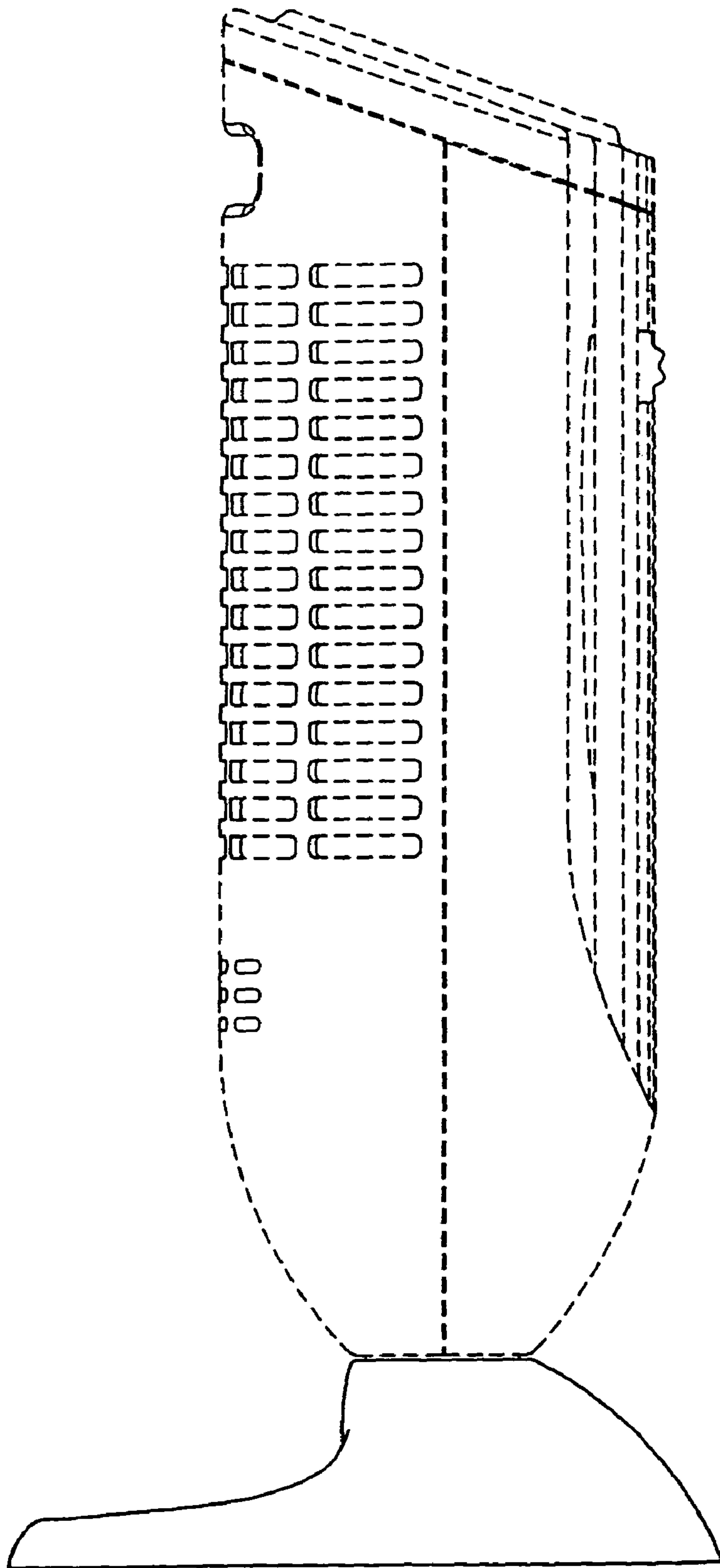


FIG. 18

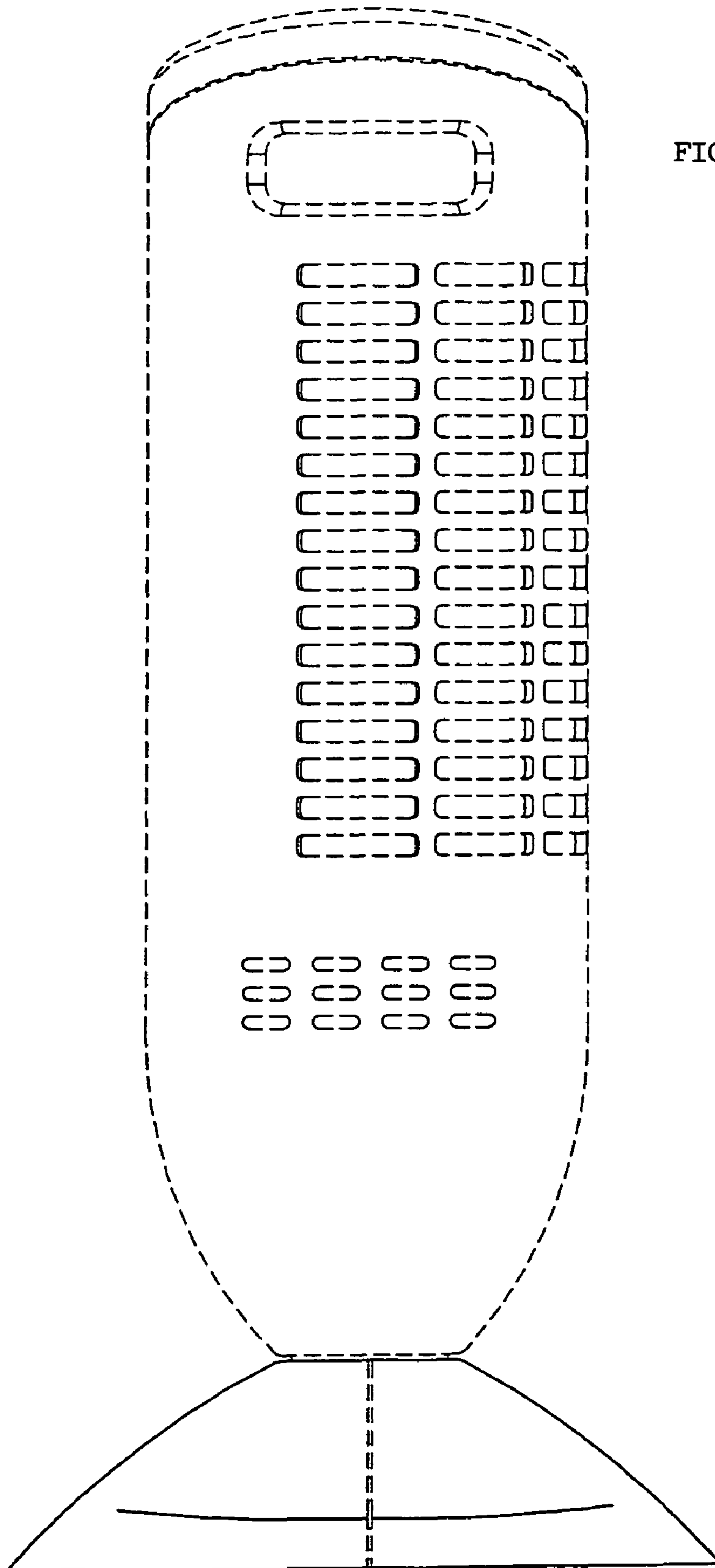


FIG. 19

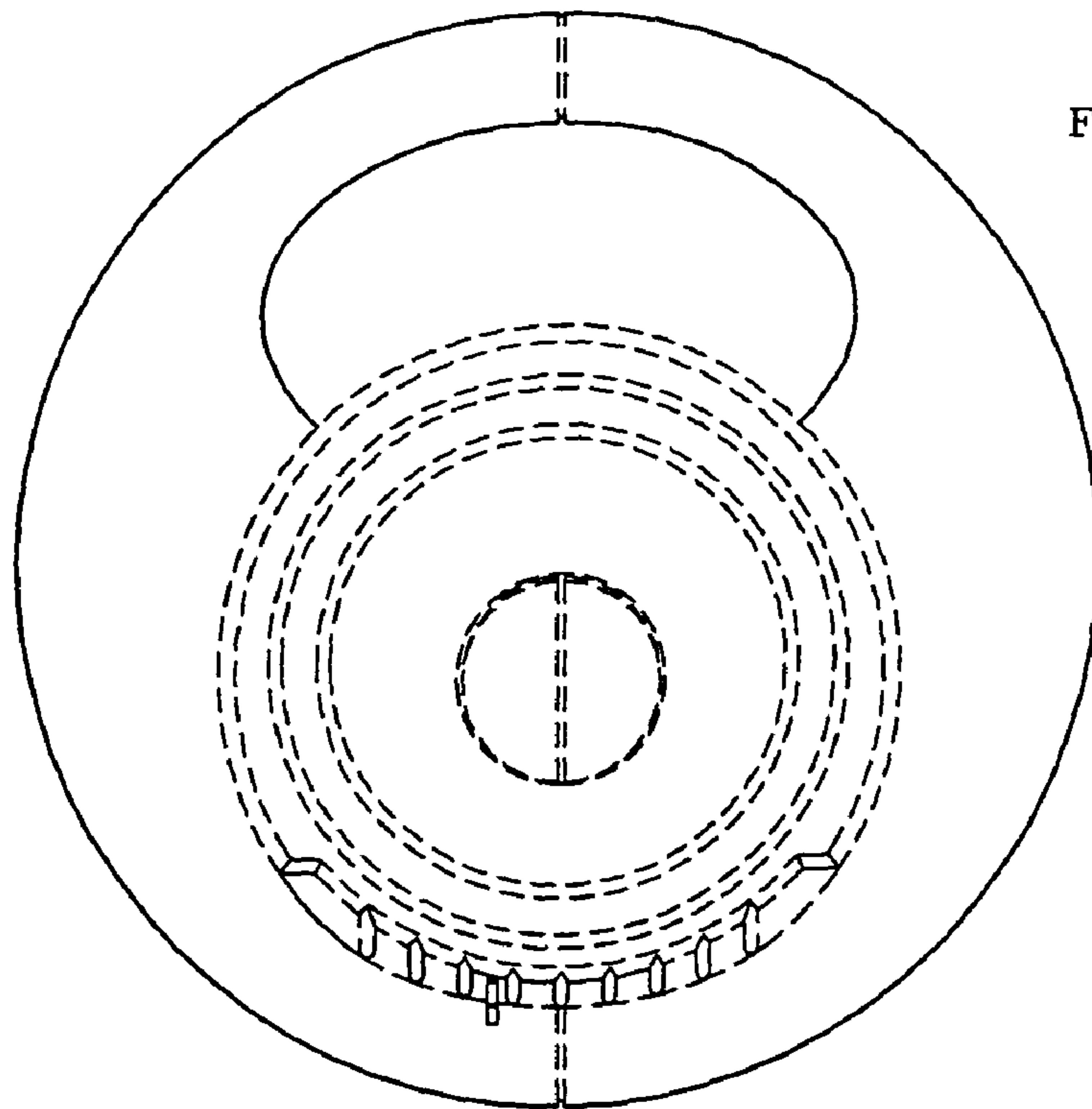


FIG. 20

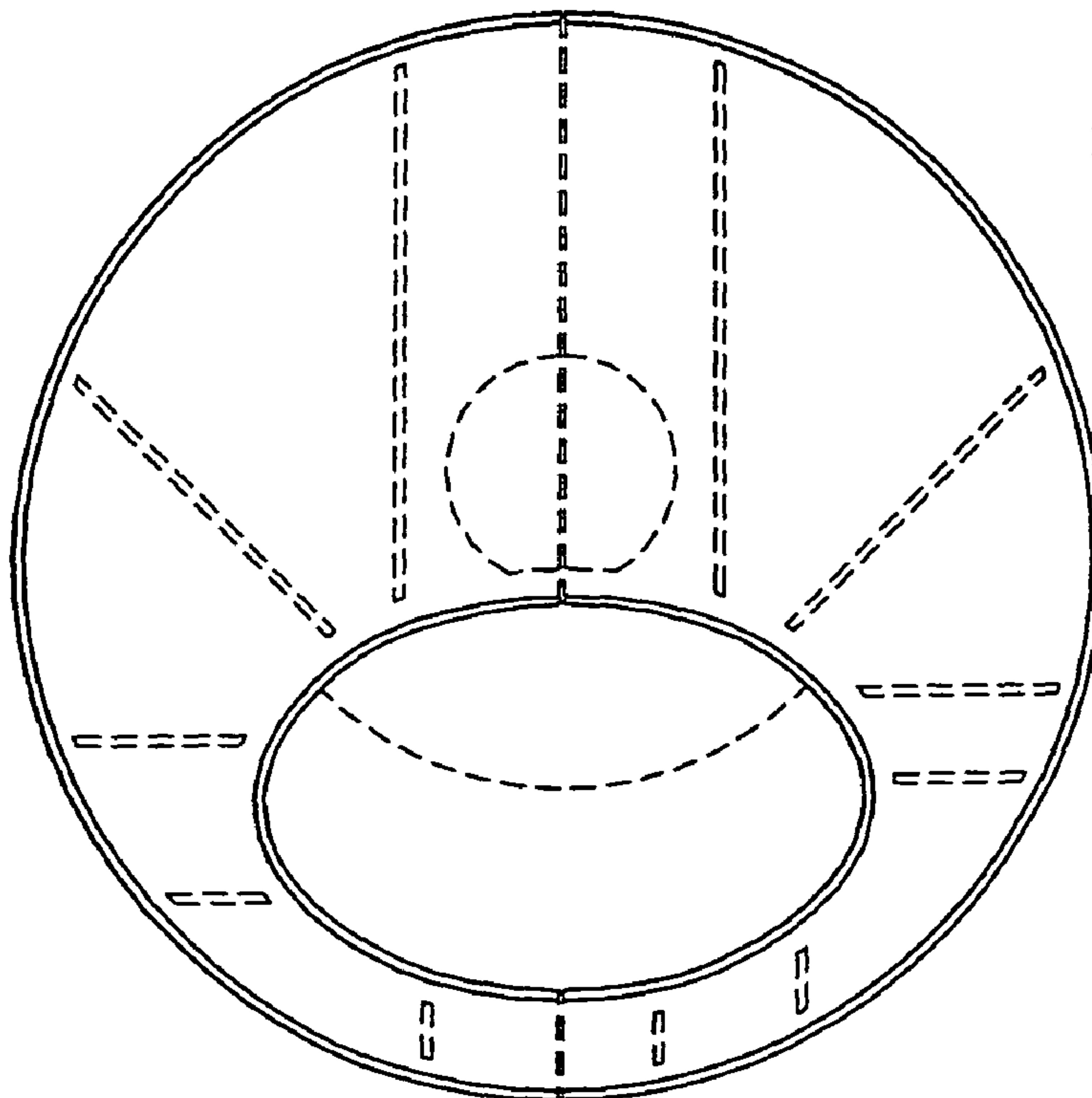


FIG. 21