



US00D620094S

(12) **United States Design Patent**  
**Kelver**

(10) **Patent No.:** **US D620,094 S**

(45) **Date of Patent:** **\*\* Jul. 20, 2010**

(54) **HEAT EXCHANGER**

(75) Inventor: **Gregory D. Kelter**, Union Mills, IN (US)

(73) Assignee: **Thermo-Cycler Industries, Inc.**, Union Mills, IN (US)

(\*\*) Term: **14 Years**

(21) Appl. No.: **29/360,058**

(22) Filed: **Apr. 20, 2010**

(51) **LOC (9) Cl.** ..... **23-03**

(52) **U.S. Cl.** ..... **D23/323**

(58) **Field of Classification Search** ..... D23/317, D23/314, 332, 333, 334, 335, 337, 342, 351, D23/355, 378, 370, 381, 364, 336, 341, 323, D23/330; 416/244 R, 247 R, 53.1-53.3; 392/365, 367; D13/199, 179

See application file for complete search history.

(56) **References Cited**

**U.S. PATENT DOCUMENTS**

D483,454 S *	12/2003	Coy et al.	.....	D23/323
D529,594 S *	10/2006	Pruitt	.....	D23/351
7,497,250 B2 *	3/2009	Coy et al.	.....	165/122
D603,495 S *	11/2009	Safa et al.	.....	D23/351

\* cited by examiner

*Primary Examiner*—T. Chase Nelson  
*Assistant Examiner*—Ania K Dworzecka

(74) *Attorney, Agent, or Firm*—McCracken & Frank LLP

(57) **CLAIM**

The ornamental design for a heat exchanger, as shown and described.

**DESCRIPTION**

FIG. 1 is an isometric view of a front, top, and right side of an ornamental design for a heat exchanger;

FIG. 2 is a front elevational view of the heat exchanger of FIG. 1;

FIG. 3 is a rear elevational view of the heat exchanger of FIG. 1;

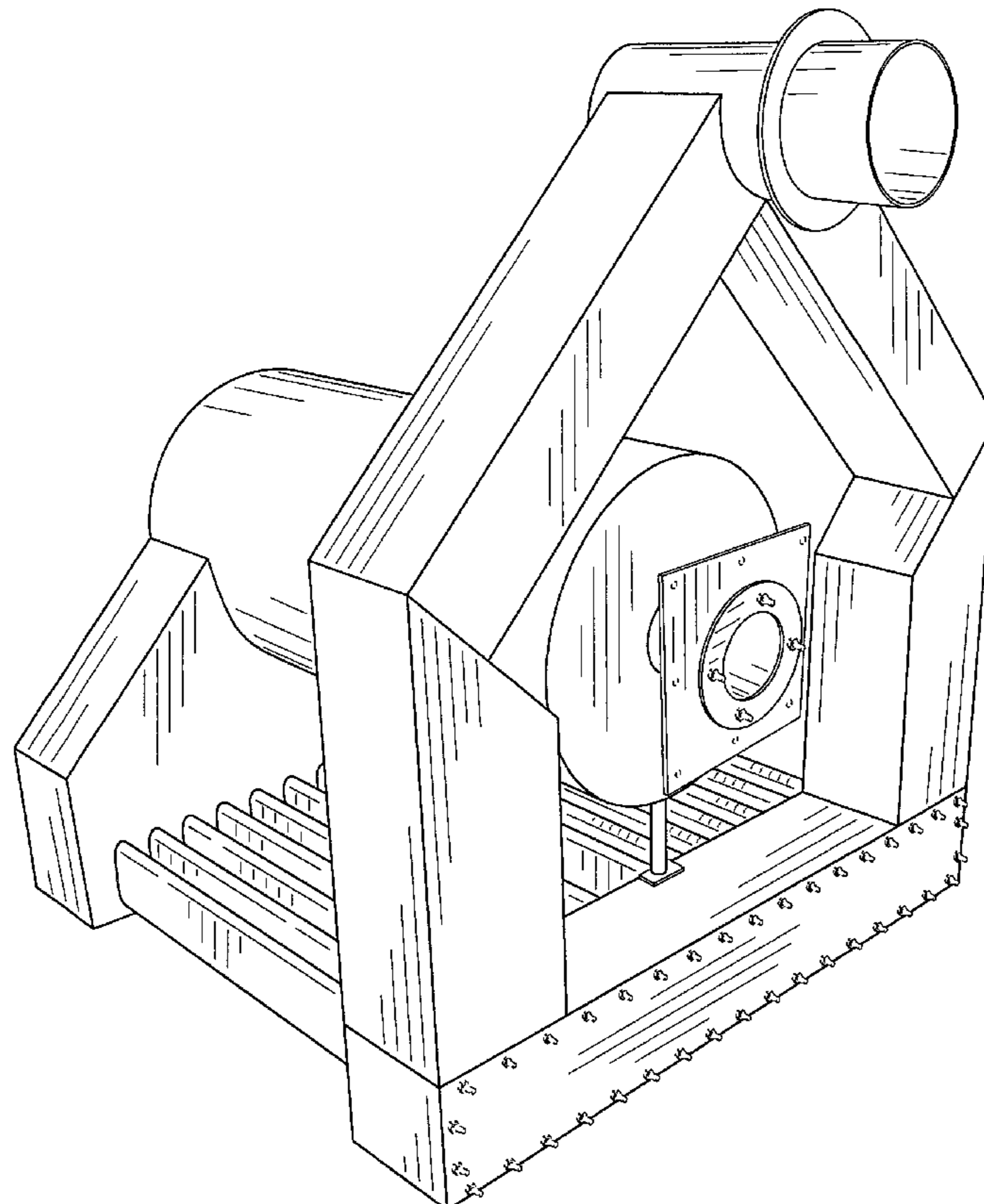
FIG. 4 is a left side elevational view of the heat exchanger of FIG. 1, wherein the right side elevational view is a mirror image of the left side elevational view;

FIG. 5 is a top plan view of the heat exchanger of FIG. 1; and,

FIG. 6 is a bottom plan view of the heat exchanger of FIG. 1.

The broken lines are for the purpose of illustrating environmental structure and form no part of the claimed design.

**1 Claim, 6 Drawing Sheets**



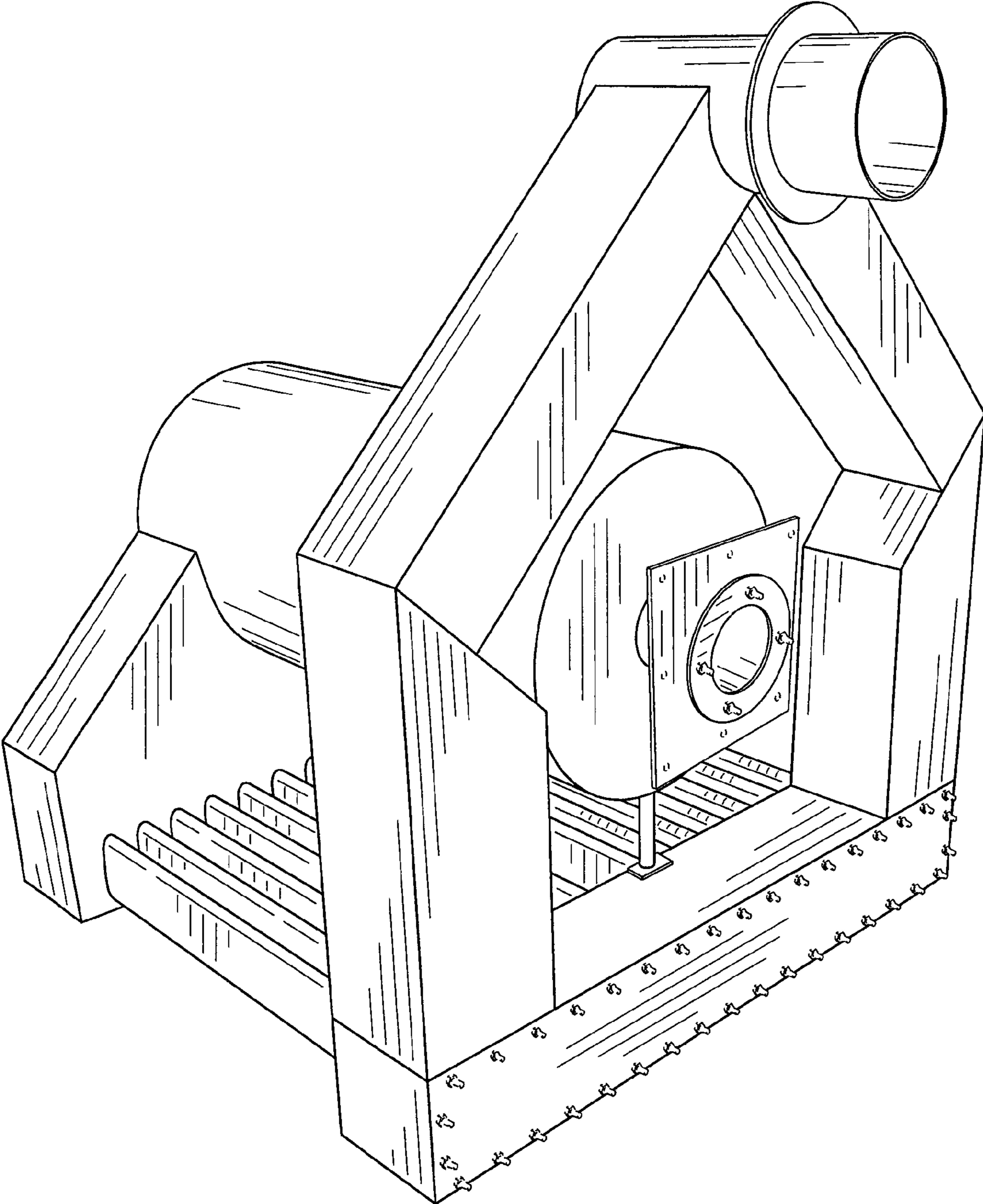


FIG. 1

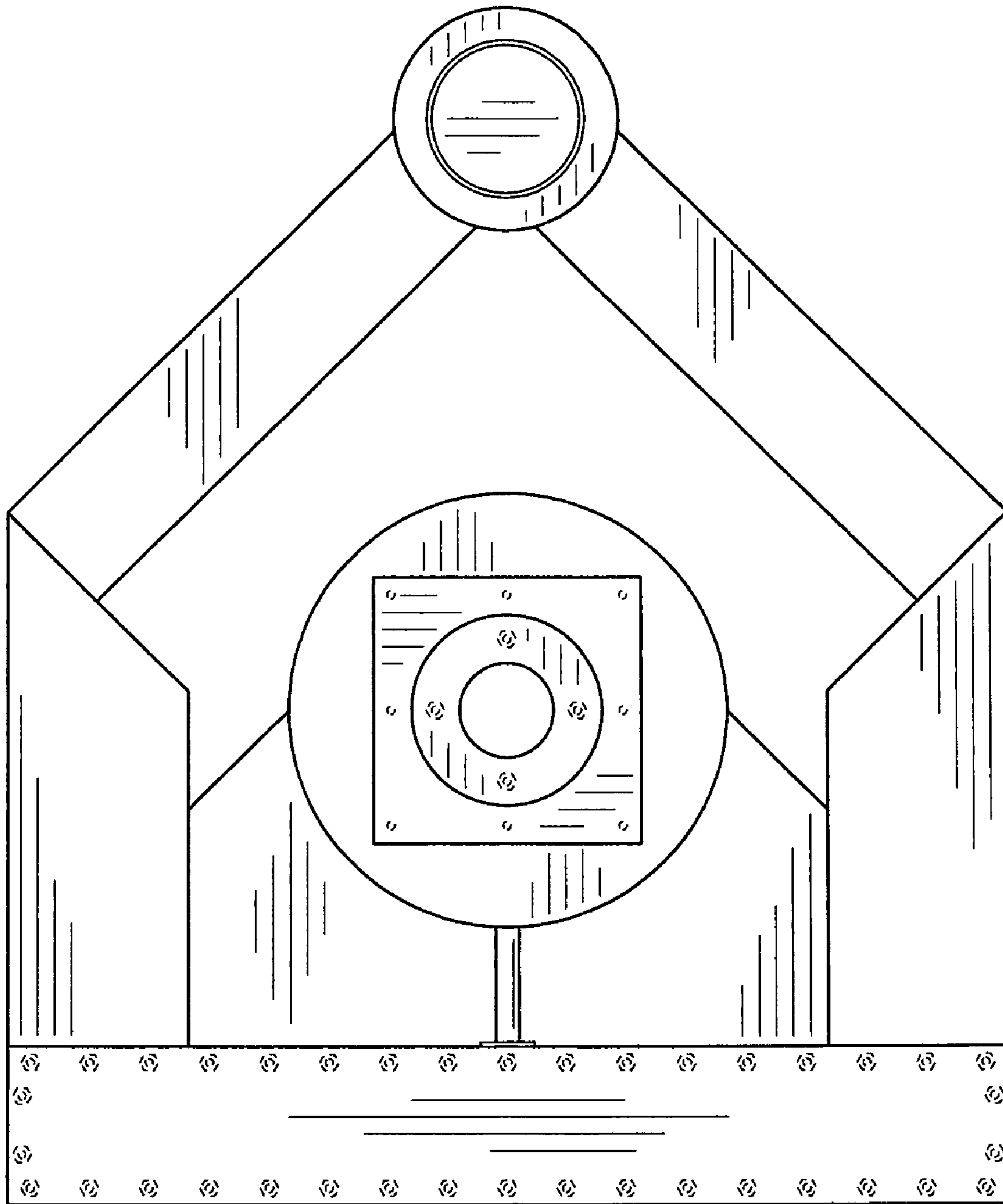


FIG. 2

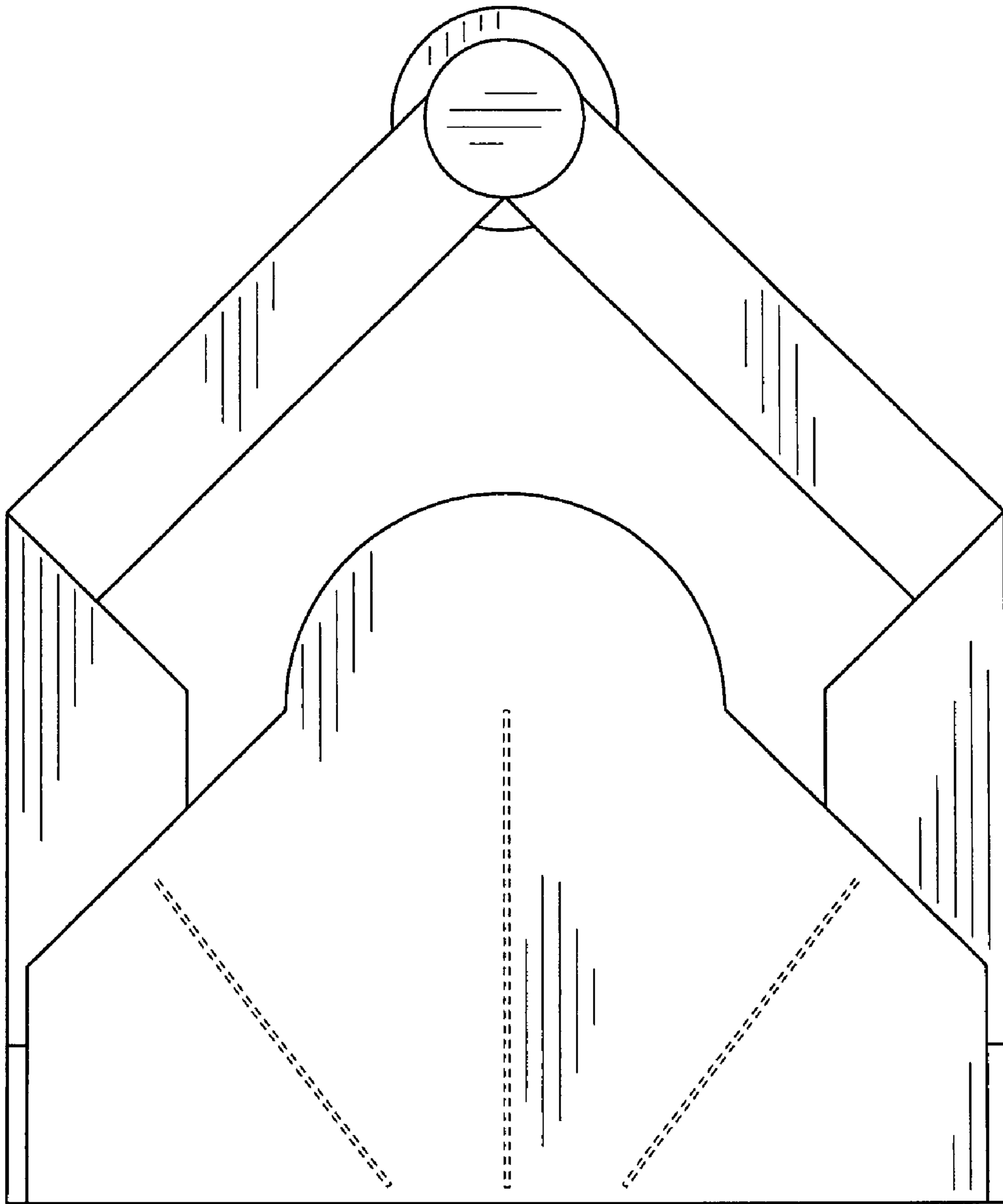


FIG. 3

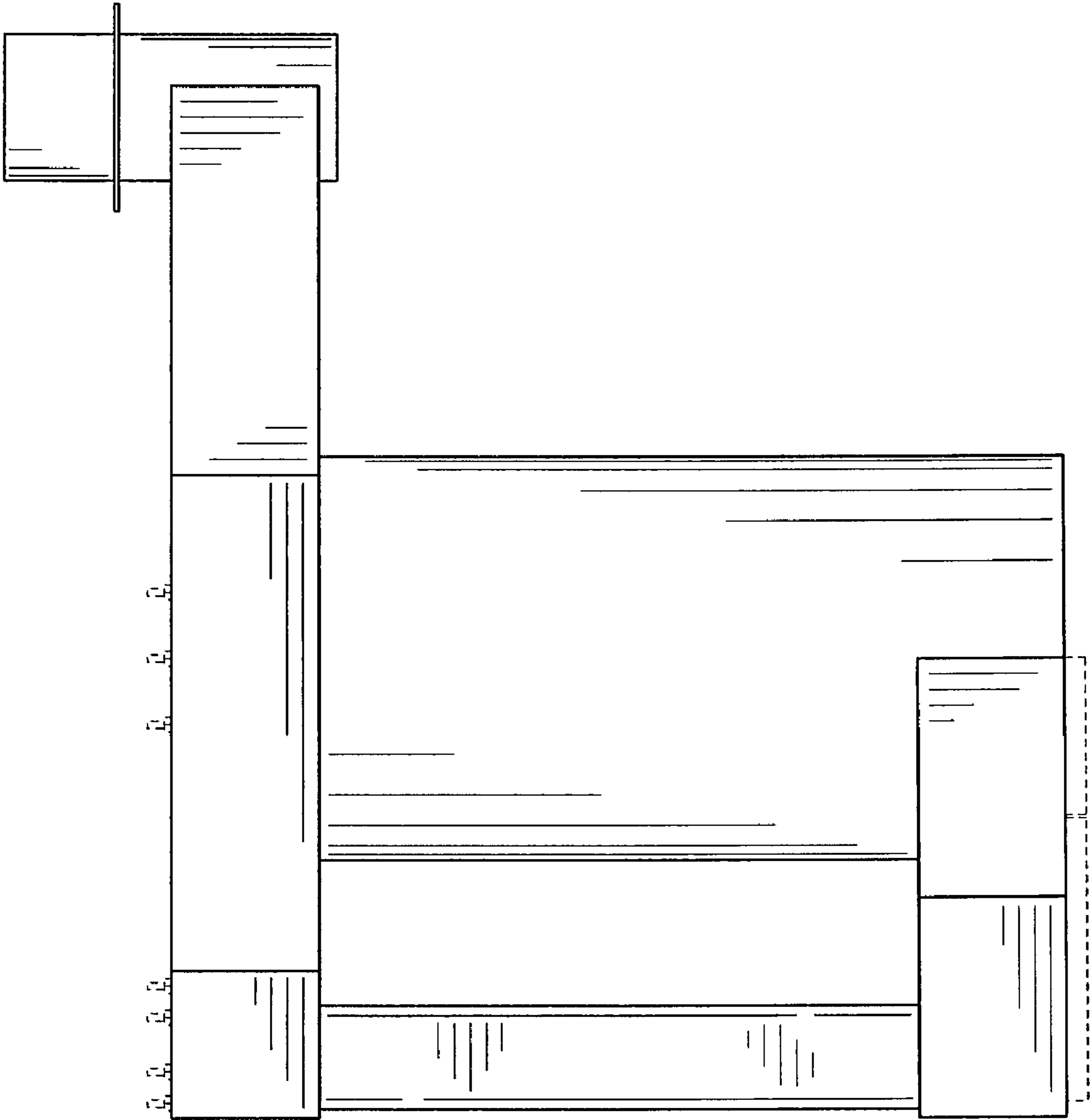


FIG. 4

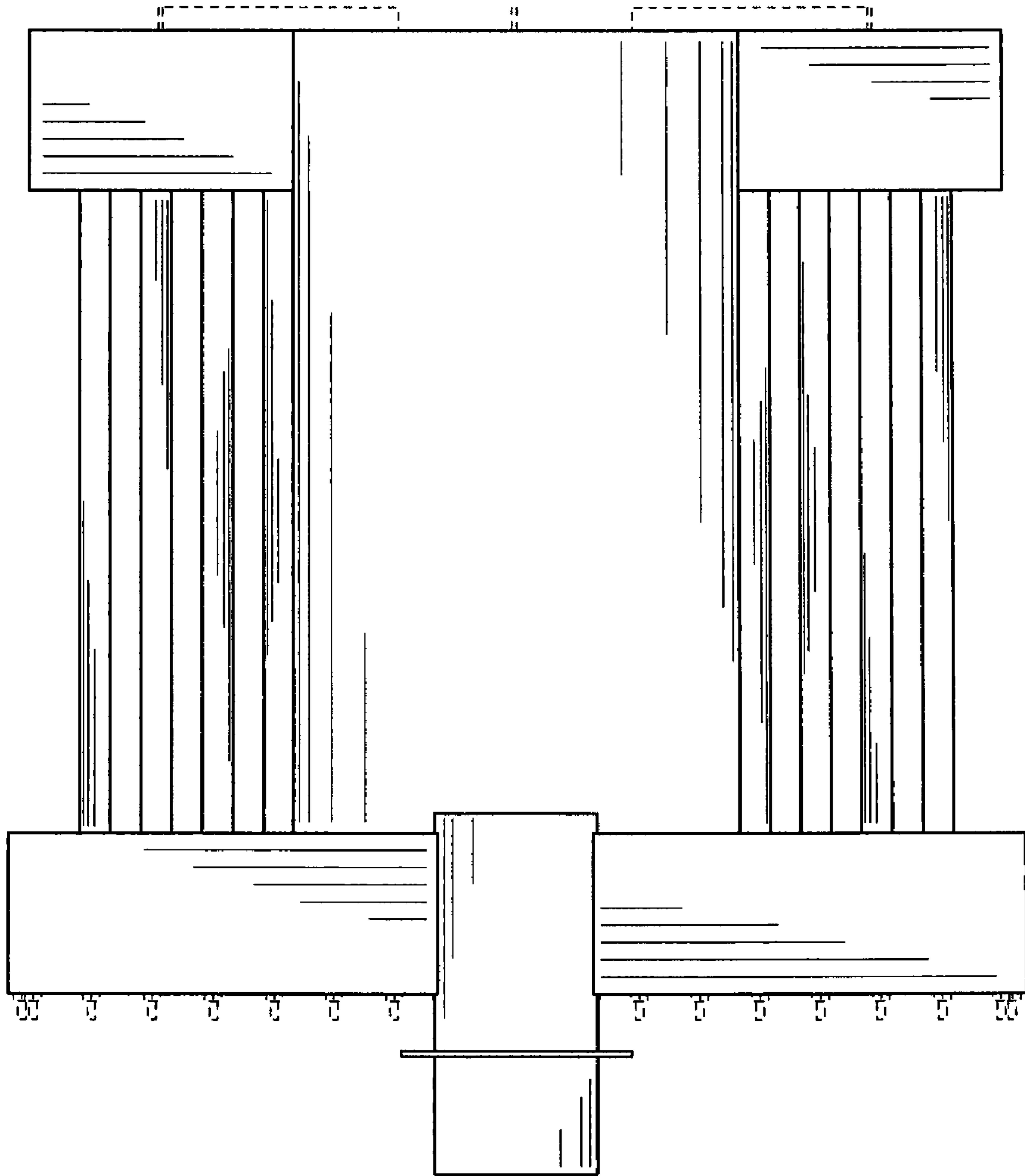


FIG. 5

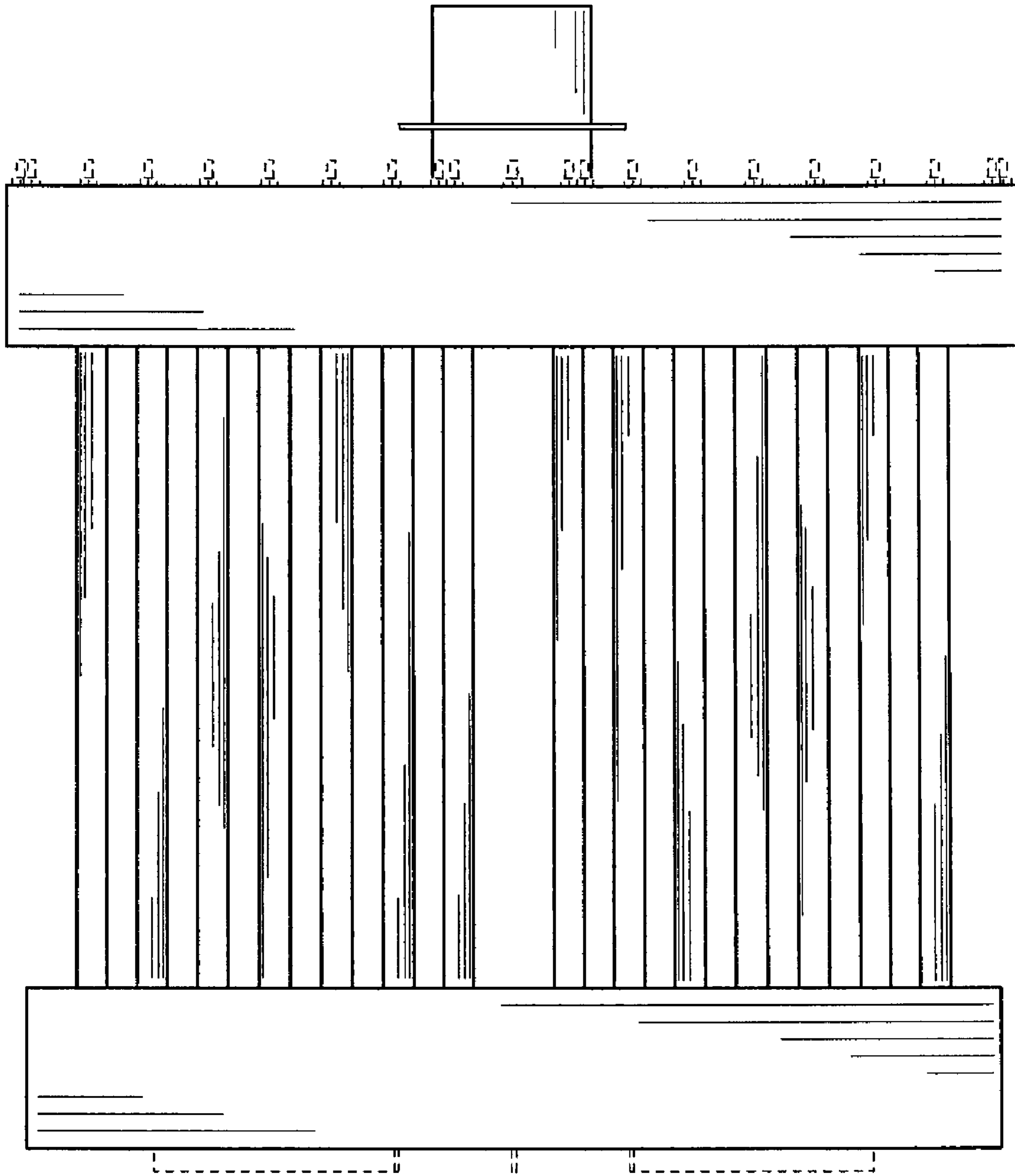


FIG. 6