



US00D620090S

(12) **United States Design Patent**
Jenner

(10) **Patent No.:** **US D620,090 S**

(45) **Date of Patent:** **** Jul. 20, 2010**

(54) **POTTY**

4,769,860 A * 9/1988 Sargent et al. 4/460

D532,492 S * 11/2006 Giese D23/299

(75) Inventor: **Amanda Jenner**, Poole (GB)

(73) Assignee: **My Carry Potty Ltd.**, Branksome,
Poole, Dorset (GB)

(**) Term: **14 Years**

(21) Appl. No.: **29/332,903**

(22) Filed: **Feb. 27, 2009**

(30) **Foreign Application Priority Data**

Aug. 27, 2008 (EM) 000992326-0001

(51) **LOC (9) Cl.** **23-02**

(52) **U.S. Cl.** **D23/299**

(58) **Field of Classification Search** D23/295-296,
D23/301, 303, 309, 299; 4/300, 312, 329,
4/449, 460

See application file for complete search history.

(56) **References Cited**

U.S. PATENT DOCUMENTS

D255,597 S * 6/1980 Sargent et al. D23/299

* cited by examiner

Primary Examiner—Robert A Delehanty

(74) *Attorney, Agent, or Firm*—Edwin D. Schindler

(57) **CLAIM**

The ornamental design for a potty, as shown and described.

DESCRIPTION

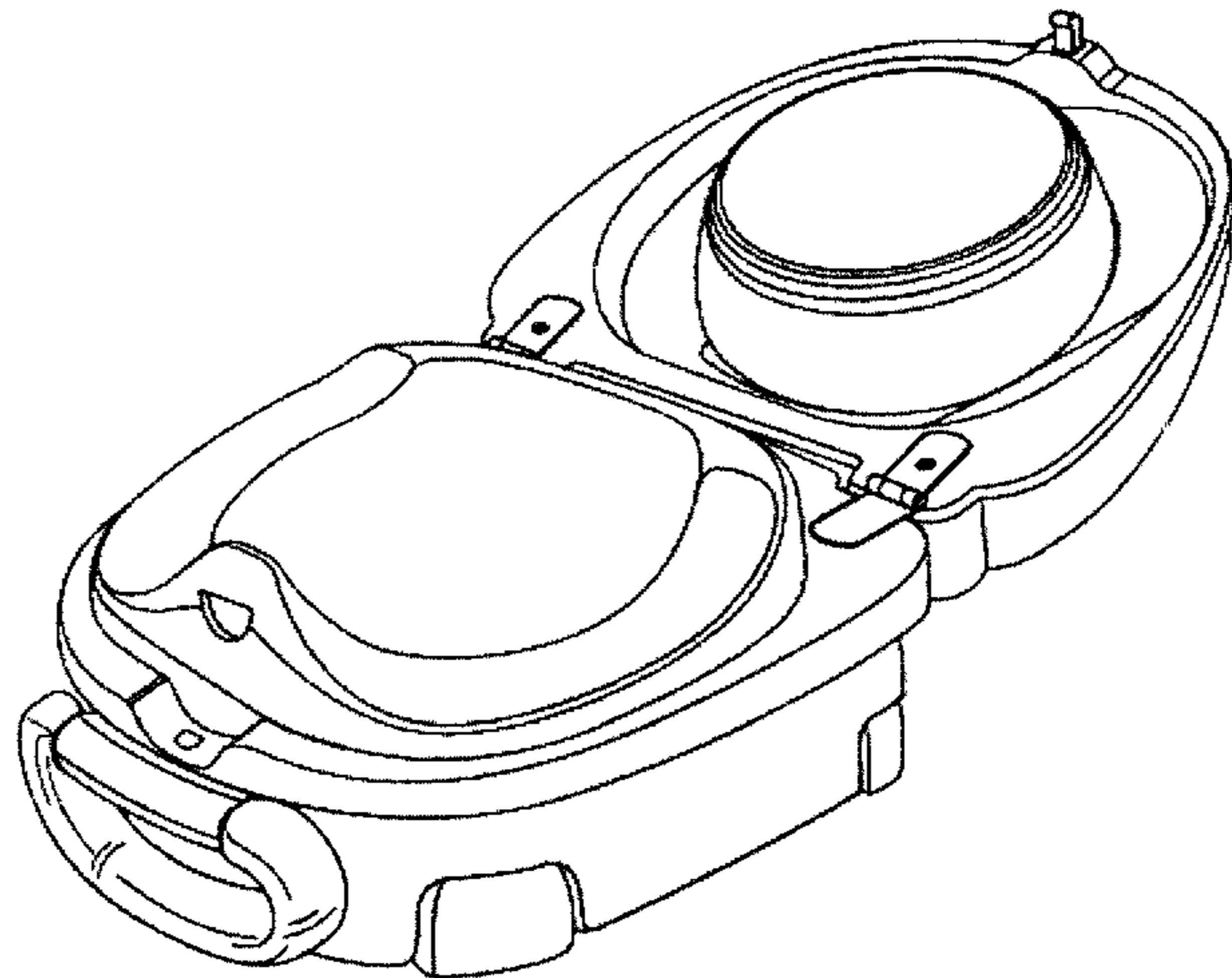
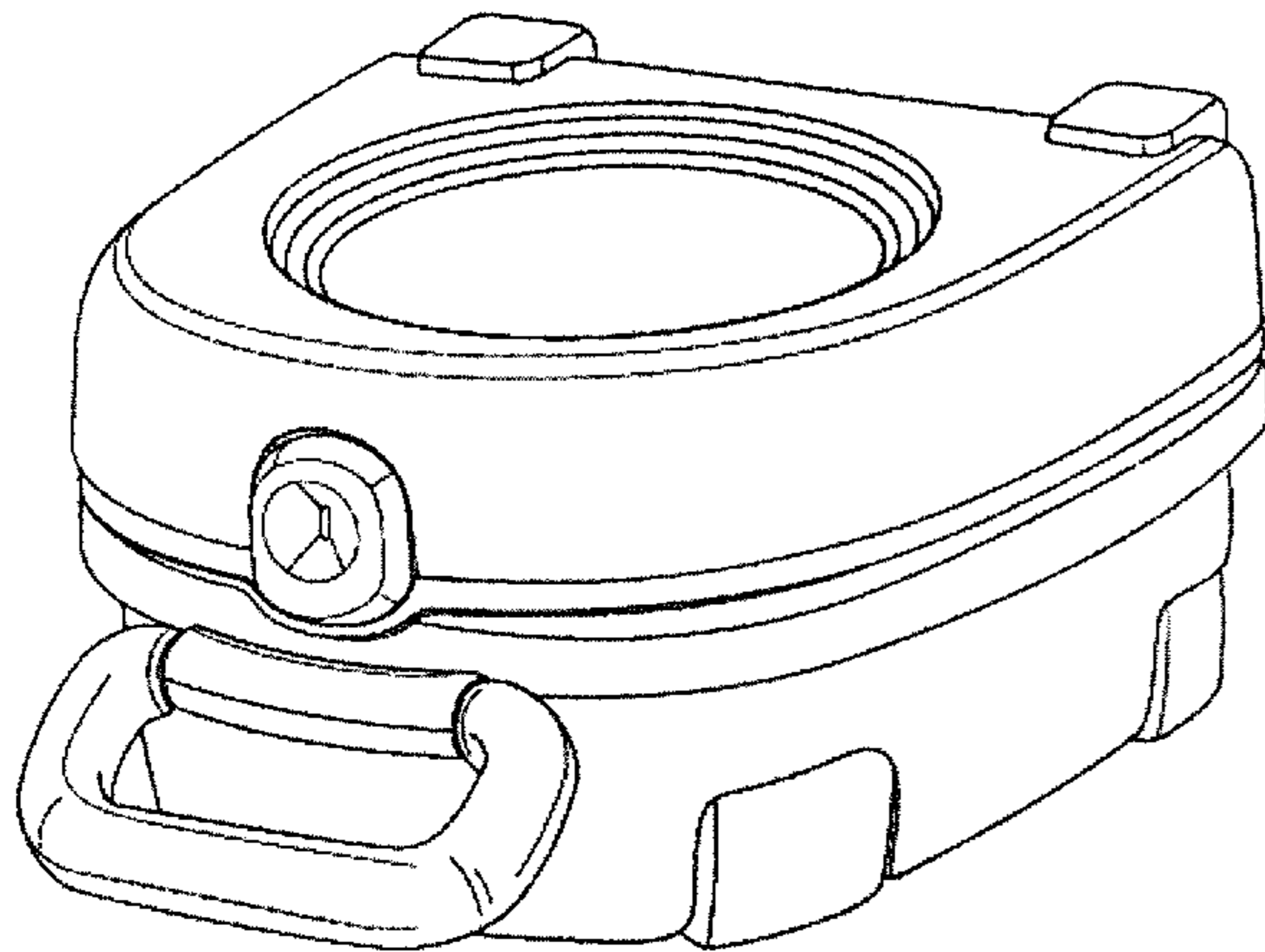
FIG. 1 is a top perspective view of a potty showing the present design;

FIG. 2 is a perspective view of the potty of FIG. 1 shown in an open position;

FIG. 3 is a top view of the potty of FIG. 1; and,

FIG. 4 is a front elevational view of the potty of FIG. 1.

1 Claim, 4 Drawing Sheets



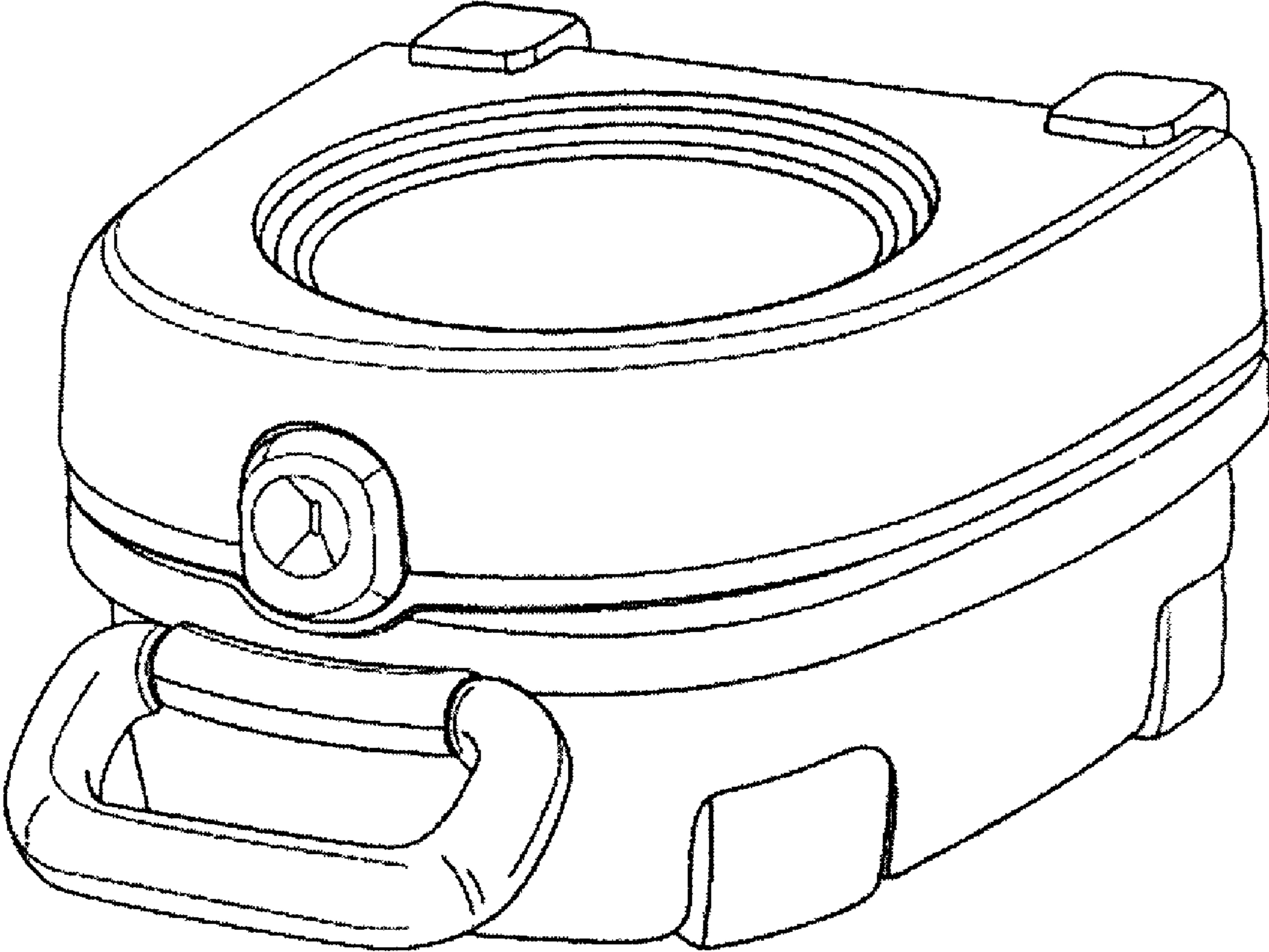


FIG. 1

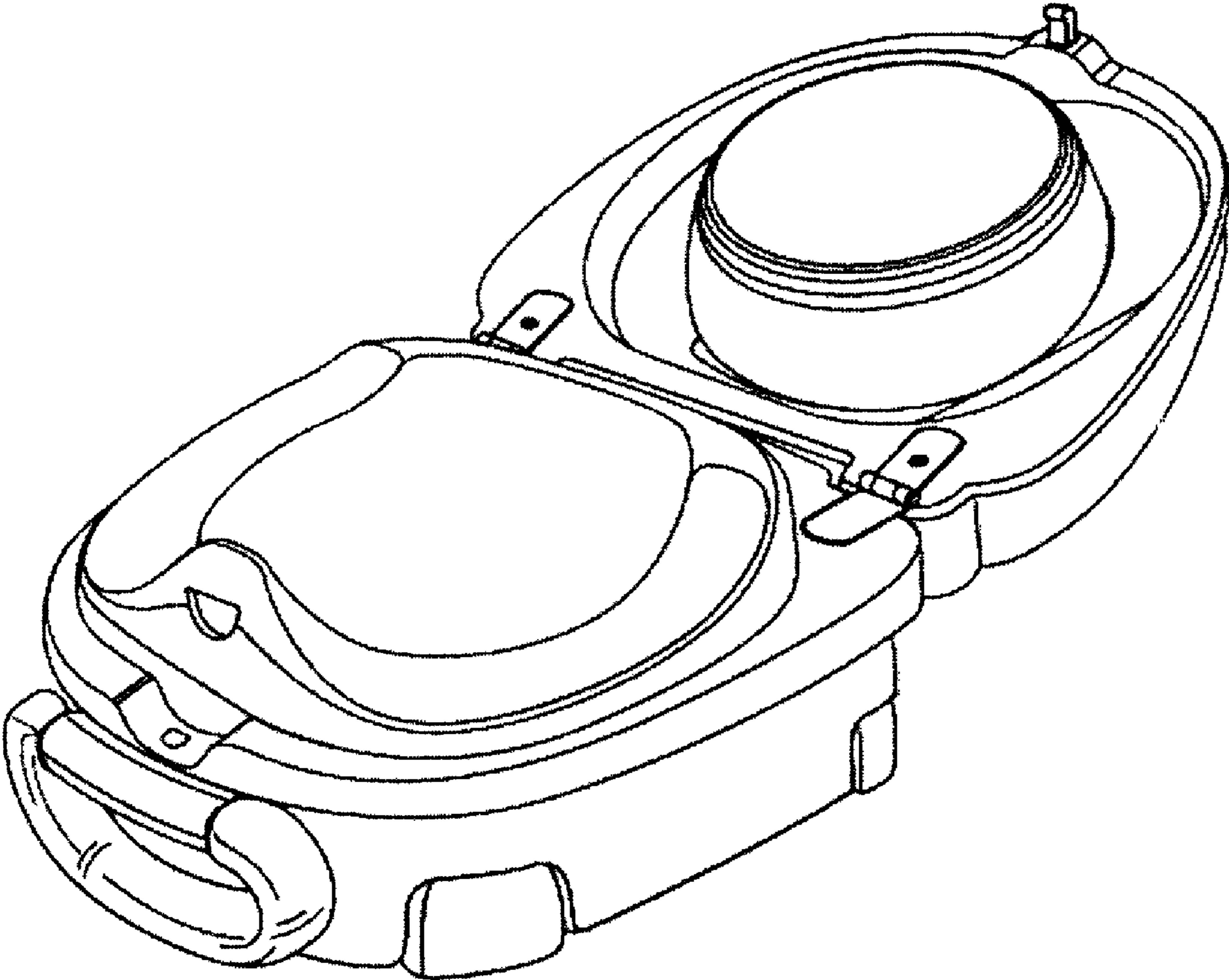


FIG. 2

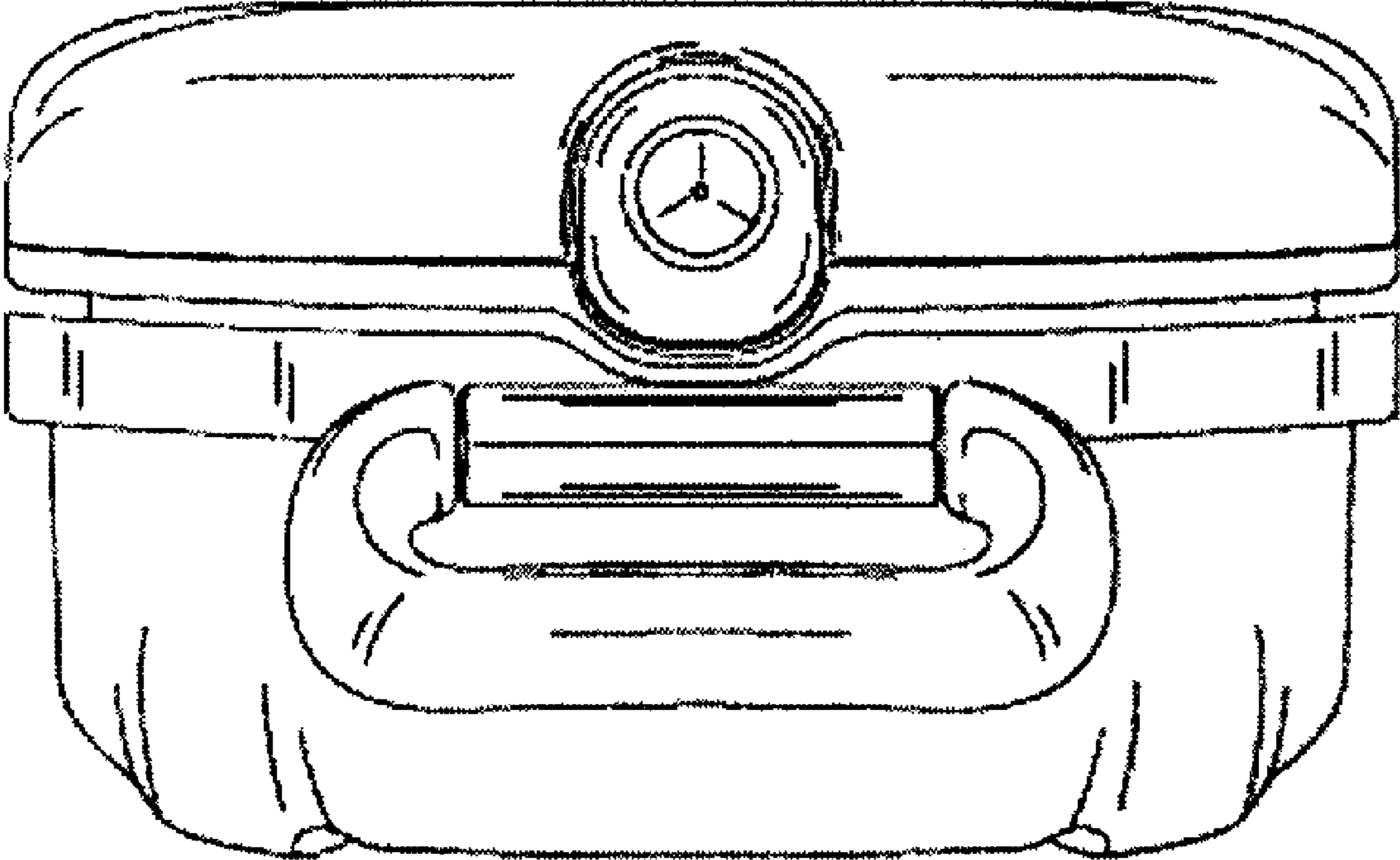


FIG. 3

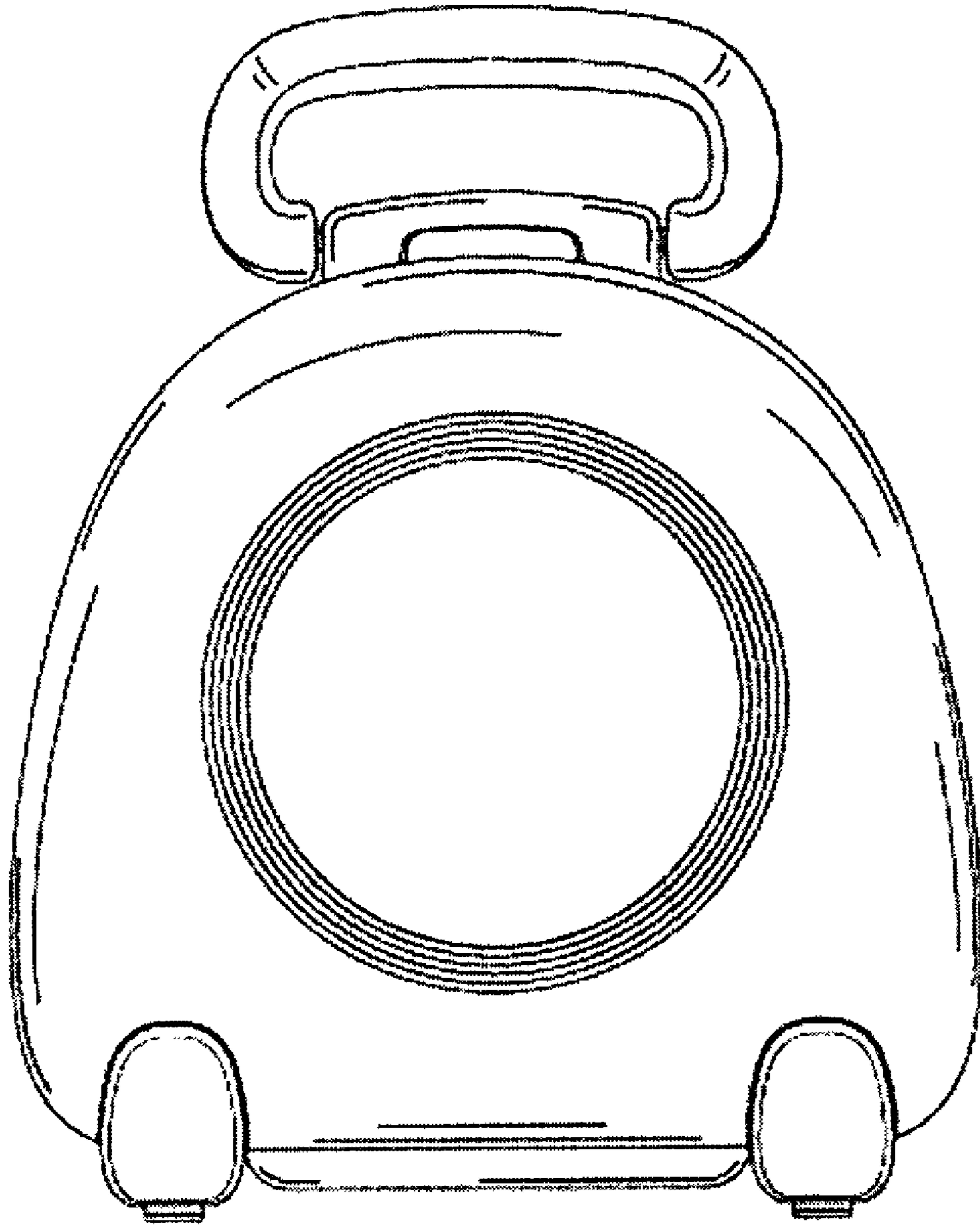


FIG. 4