



US00D620089S

(12) **United States Design Patent**
Elliot et al.

(10) **Patent No.:** **US D620,089 S**
(45) **Date of Patent:** **** Jul. 20, 2010**

(54) **PORTABLE COMMODE**

(76) Inventors: **John Elliot**, 583 Windjammer Way,
Waterloo, ON (CA) N2K 3Z6; **Dale Gienow**, 936 Atlantic Boulevard,
Waterloo, ON (CA) N2K 4L5

(**) Term: **14 Years**

(21) Appl. No.: **29/328,670**

(22) Filed: **Nov. 28, 2008**

(51) **LOC (9) Cl.** **23-02**

(52) **U.S. Cl.** **D23/299**

(58) **Field of Classification Search** D23/295-296,
D23/299, 303, 309, 311; 4/300, 312, 329,
4/449, 460, 902

See application file for complete search history.

(56) **References Cited**

U.S. PATENT DOCUMENTS

D520,616 S *	5/2006	Sharp	D23/303
D570,971 S *	6/2008	Woodin	D23/299
7,434,276 B2 *	10/2008	Cheng	4/460

* cited by examiner

Primary Examiner—Robert A Delehanty

(57) **CLAIM**

The ornamental design for a portable commode, as shown and described.

DESCRIPTION

FIG. 1 is a perspective view of an upper side of the portable commode in an expanded position;

FIG. 2 is a perspective view of a lower side of the portable commode in the expanded position;

FIG. 3 is a front elevation view of the portable commode in the expanded position;

FIG. 4 is a side elevation view of the portable commode in the expanded position, the opposing side view being a mirror image of the side view shown;

FIG. 5 is a rear elevation view of the portable commode in the expanded position;

FIG. 6 is a top view of the portable commode in the expanded position;

FIG. 7 is a bottom view of the portable commode in the expanded position;

FIG. 8 is a perspective view of the portable commode in the expanded position with a bag affixed thereto;

FIG. 9 is a perspective view of a front side of the portable commode in a retracted position;

FIG. 10 is a perspective view of a rear side of the portable commode in the retracted position;

FIG. 11 is a side elevation view of a first side of the portable commode in the retracted position;

FIG. 12 is a front elevation view of the portable commode in the retracted position;

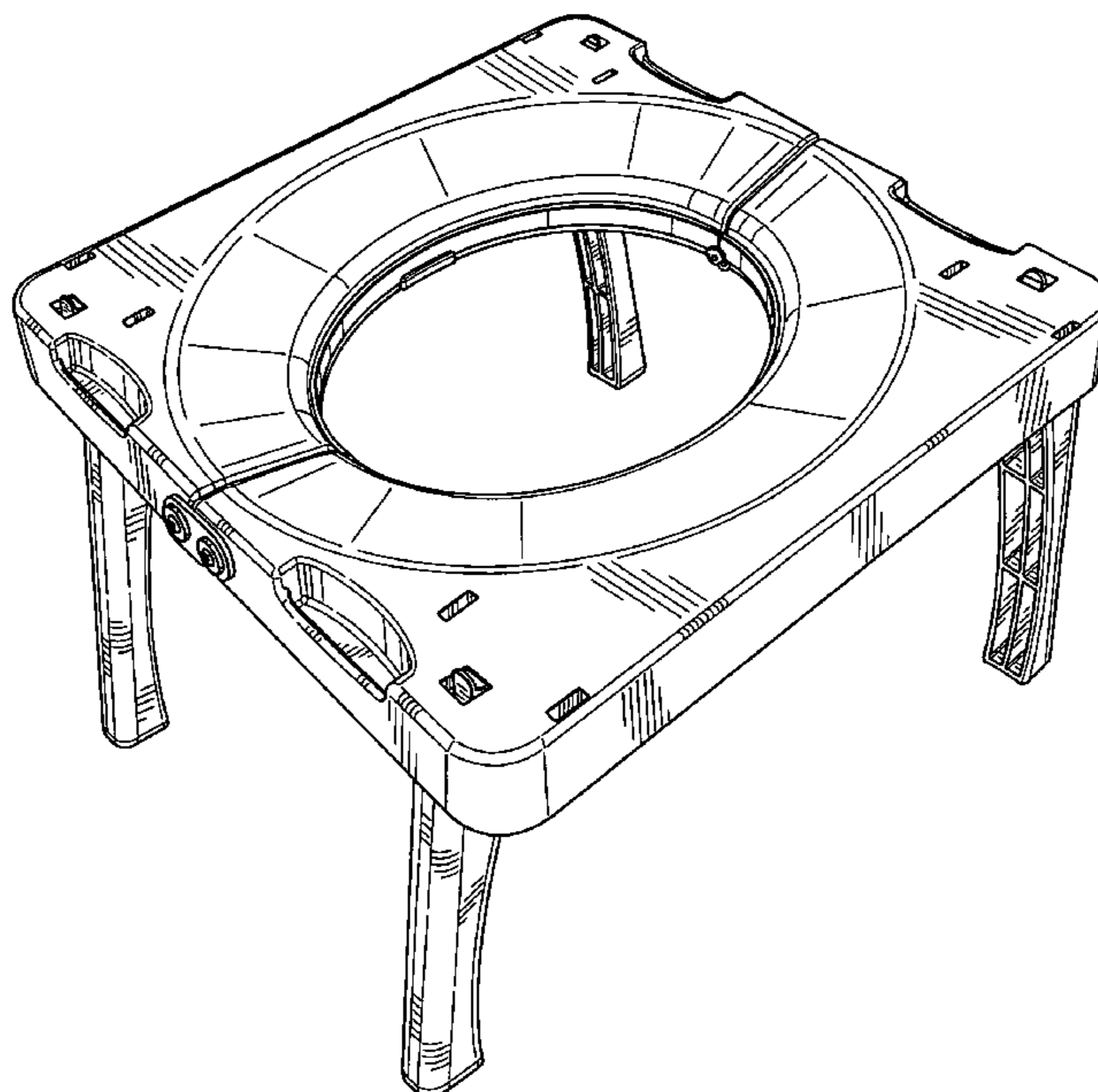
FIG. 13 is a side elevation view of a second side of the portable commode in the retracted position;

FIG. 14 is a rear elevation view of the portable commode in the retracted position; and,

FIG. 15 is a top view of the portable commode in the retracted position, the opposing bottom view being a mirror image of the top view shown.

The broken lines in FIG. 8 are for the purpose of illustrating environment and form no part of the claimed design.

1 Claim, 13 Drawing Sheets



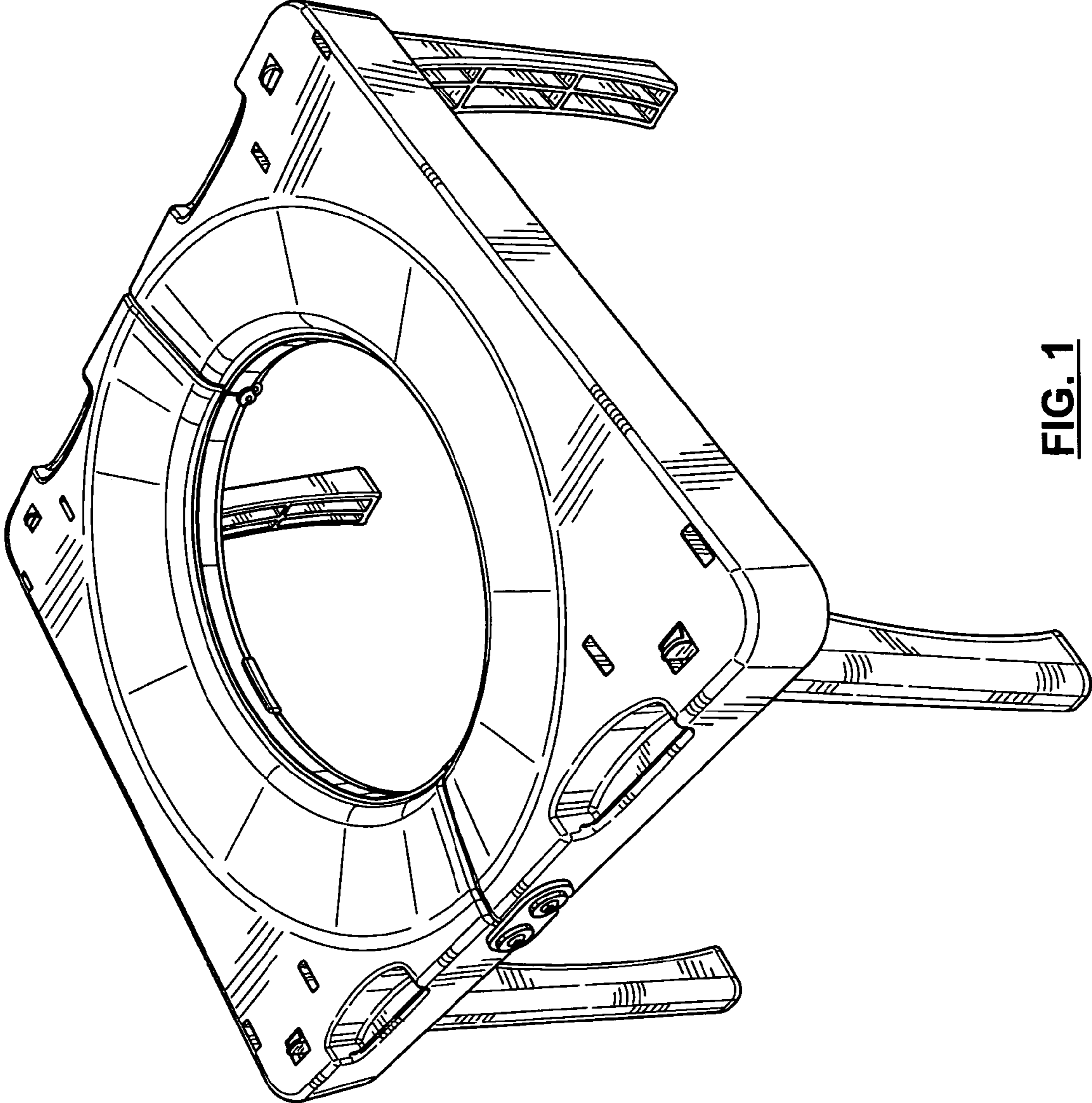


FIG. 1

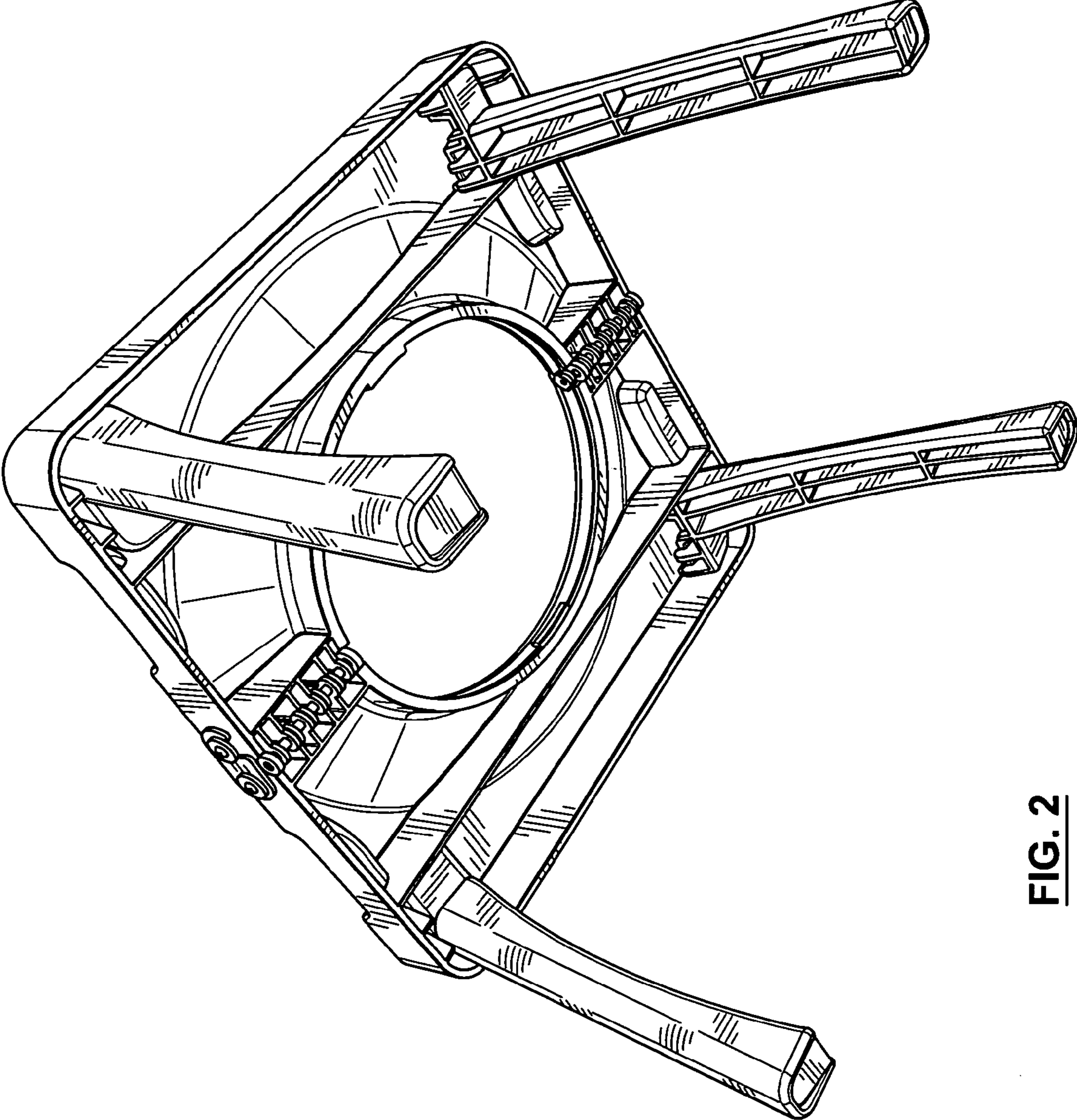


FIG. 2

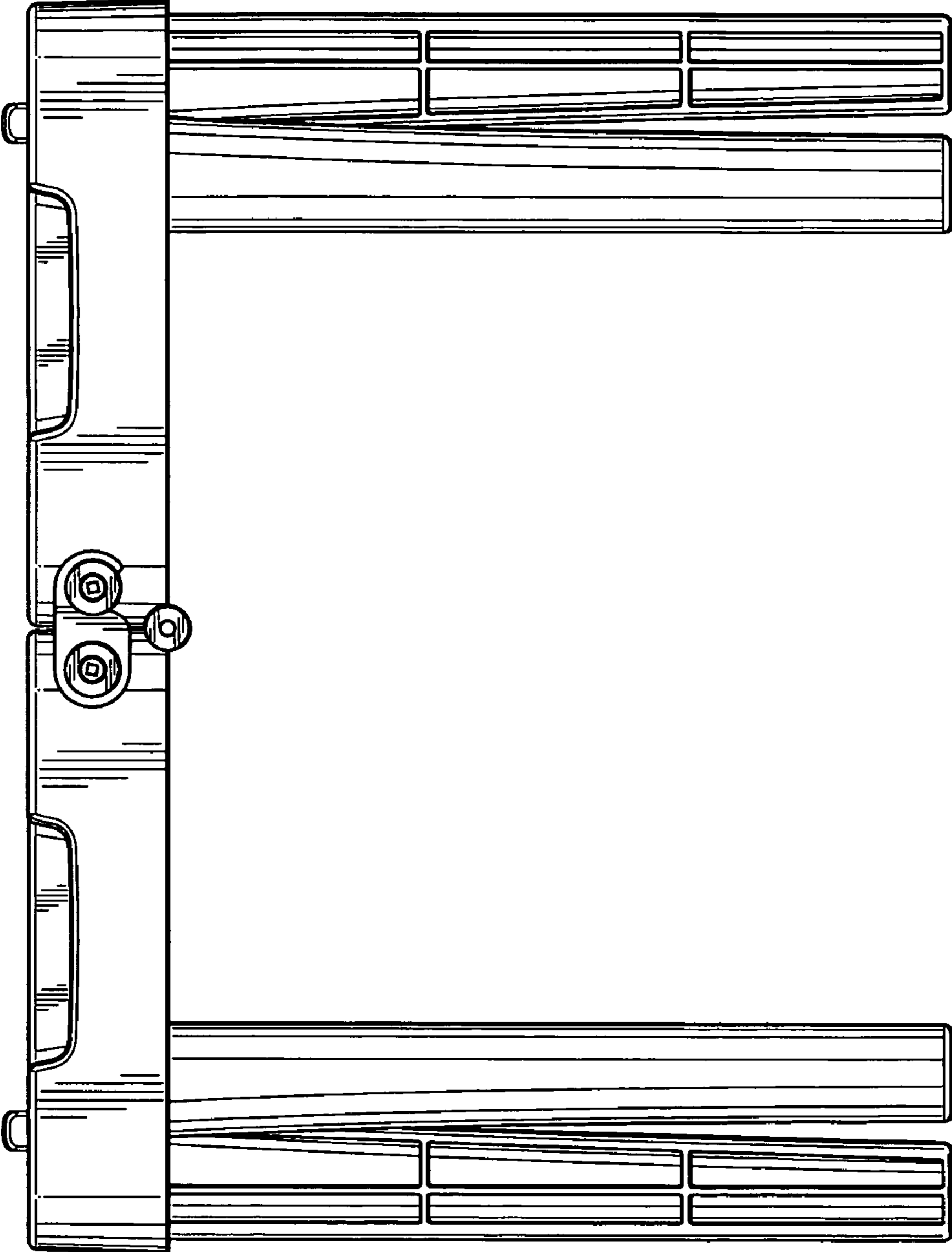


FIG. 3

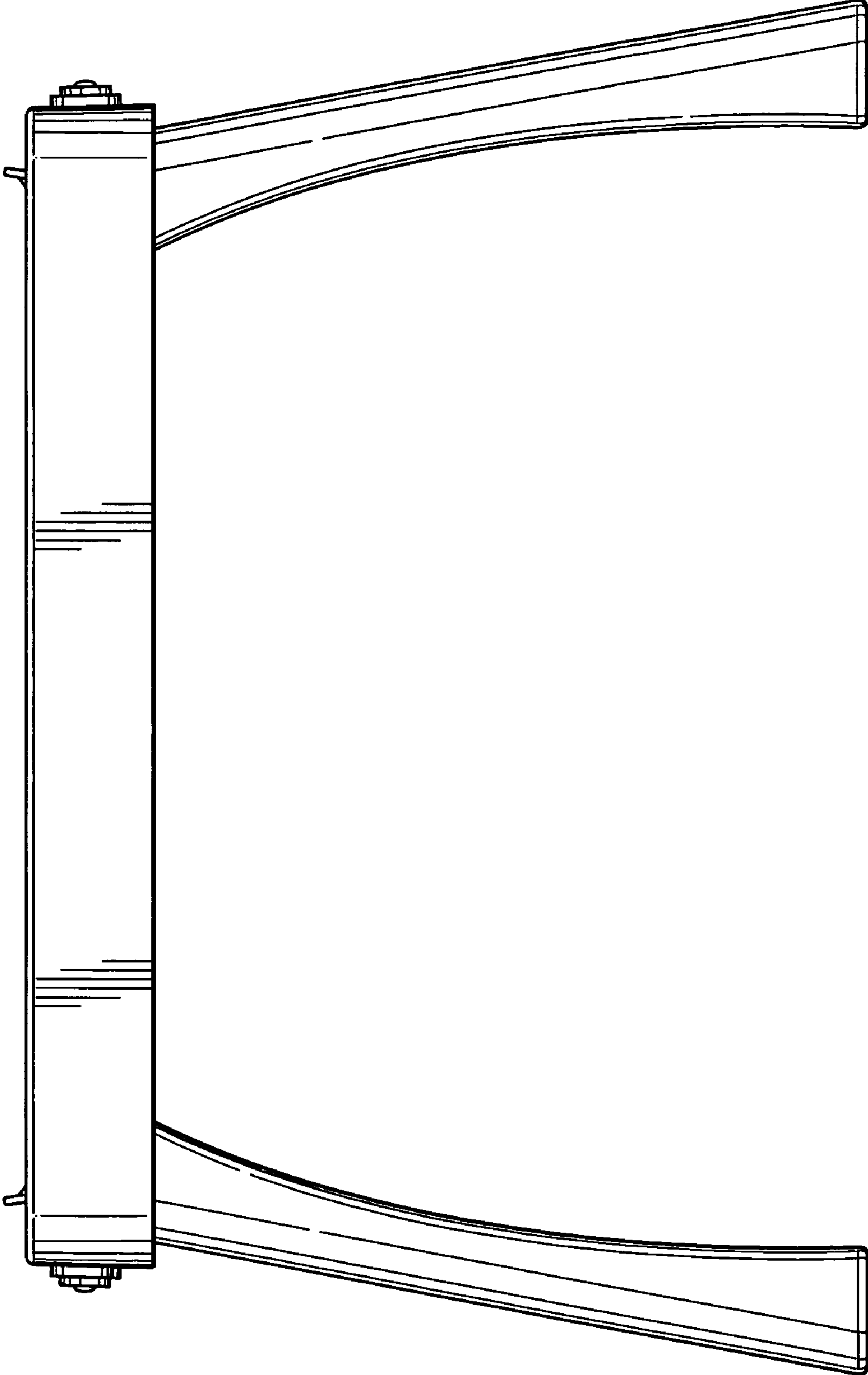


FIG. 4

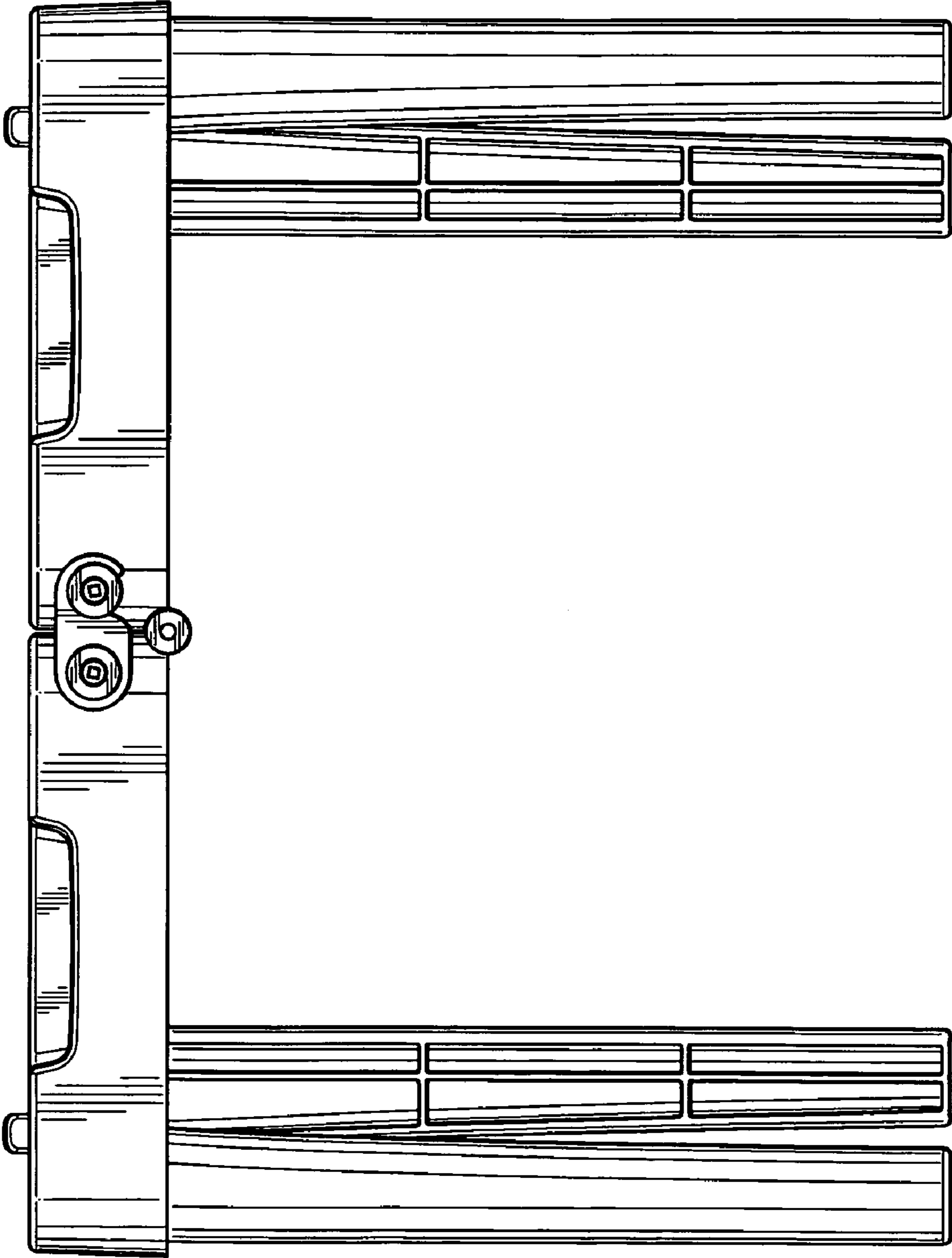
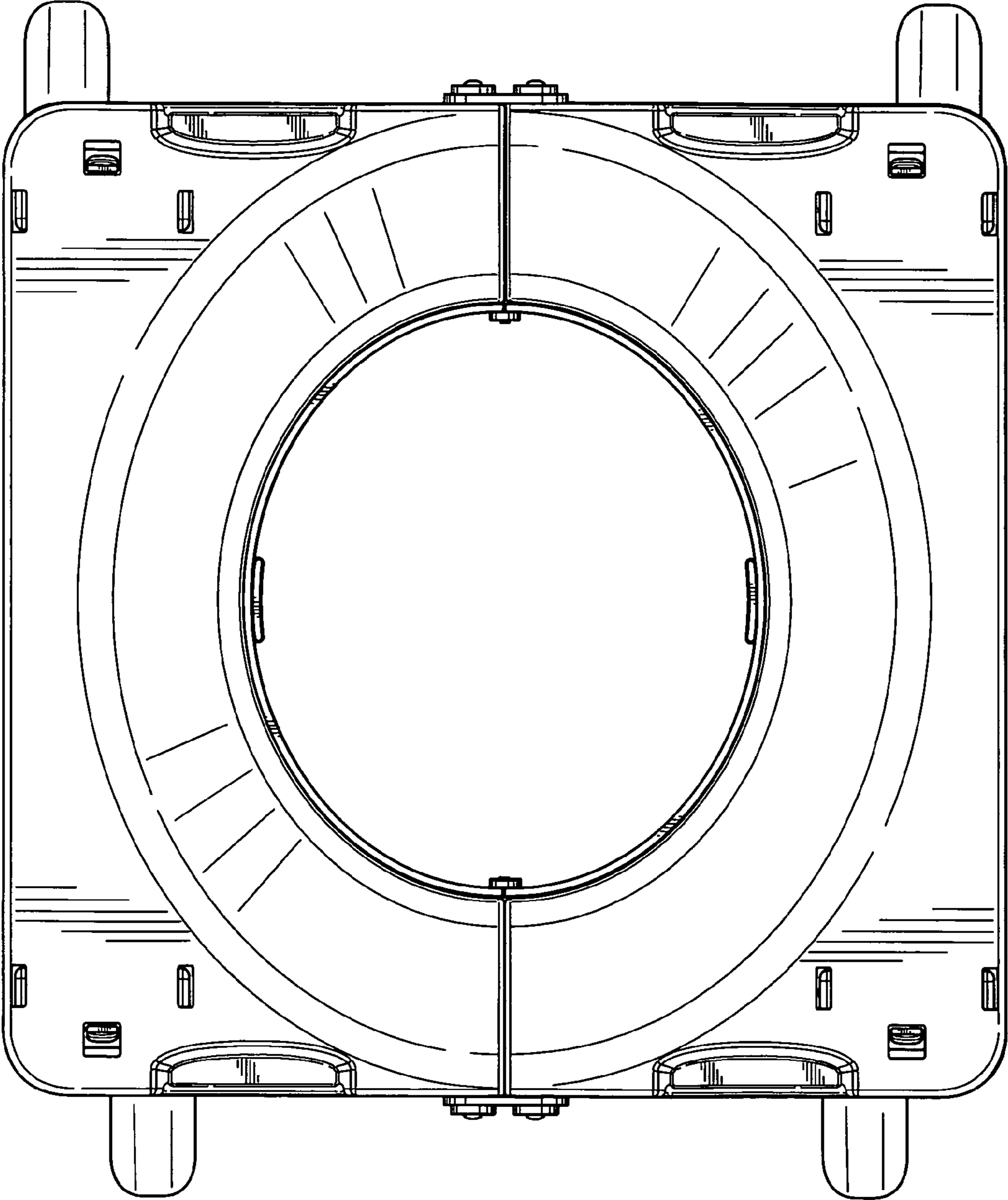


FIG. 5

FIG. 6



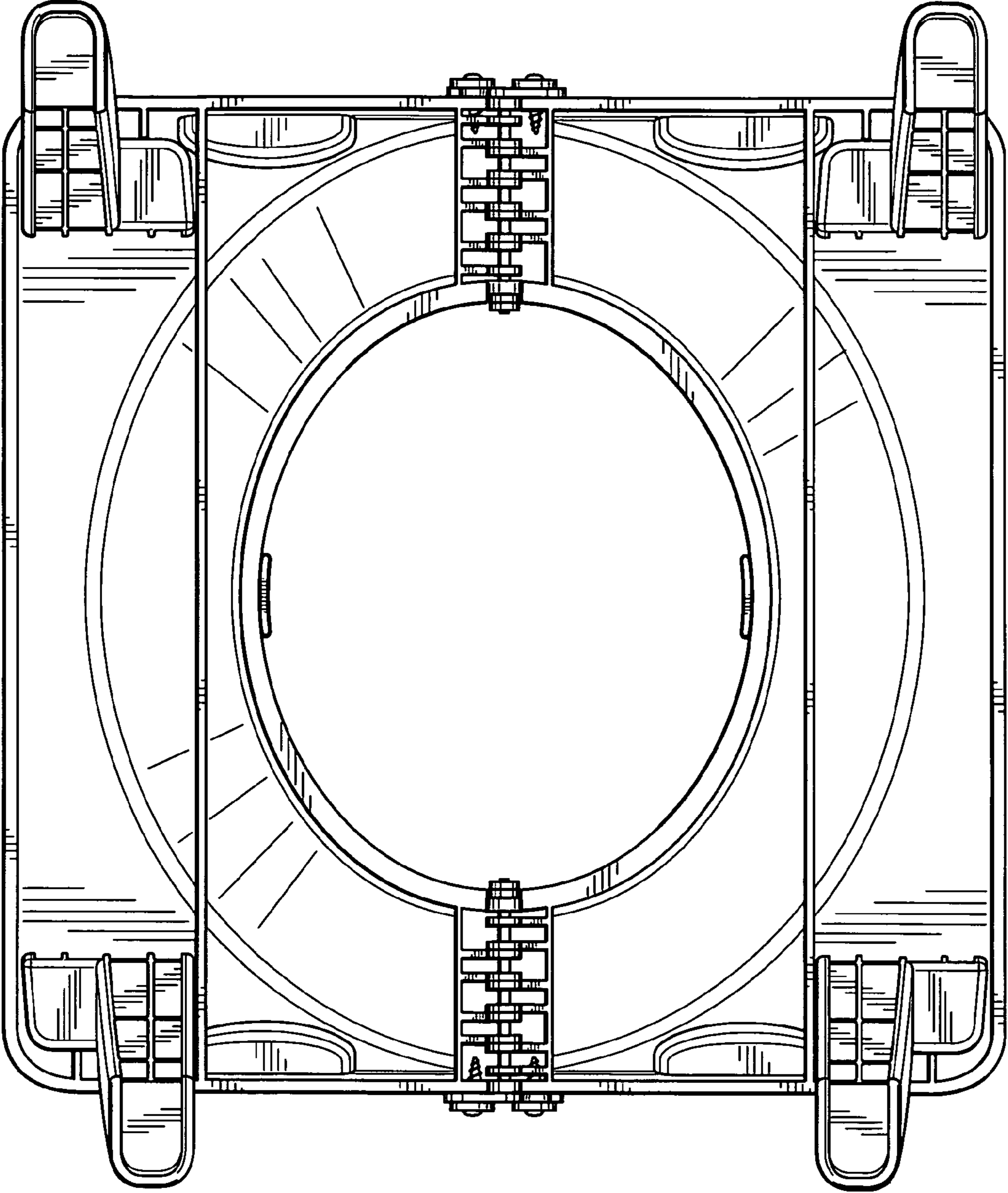


FIG. 7

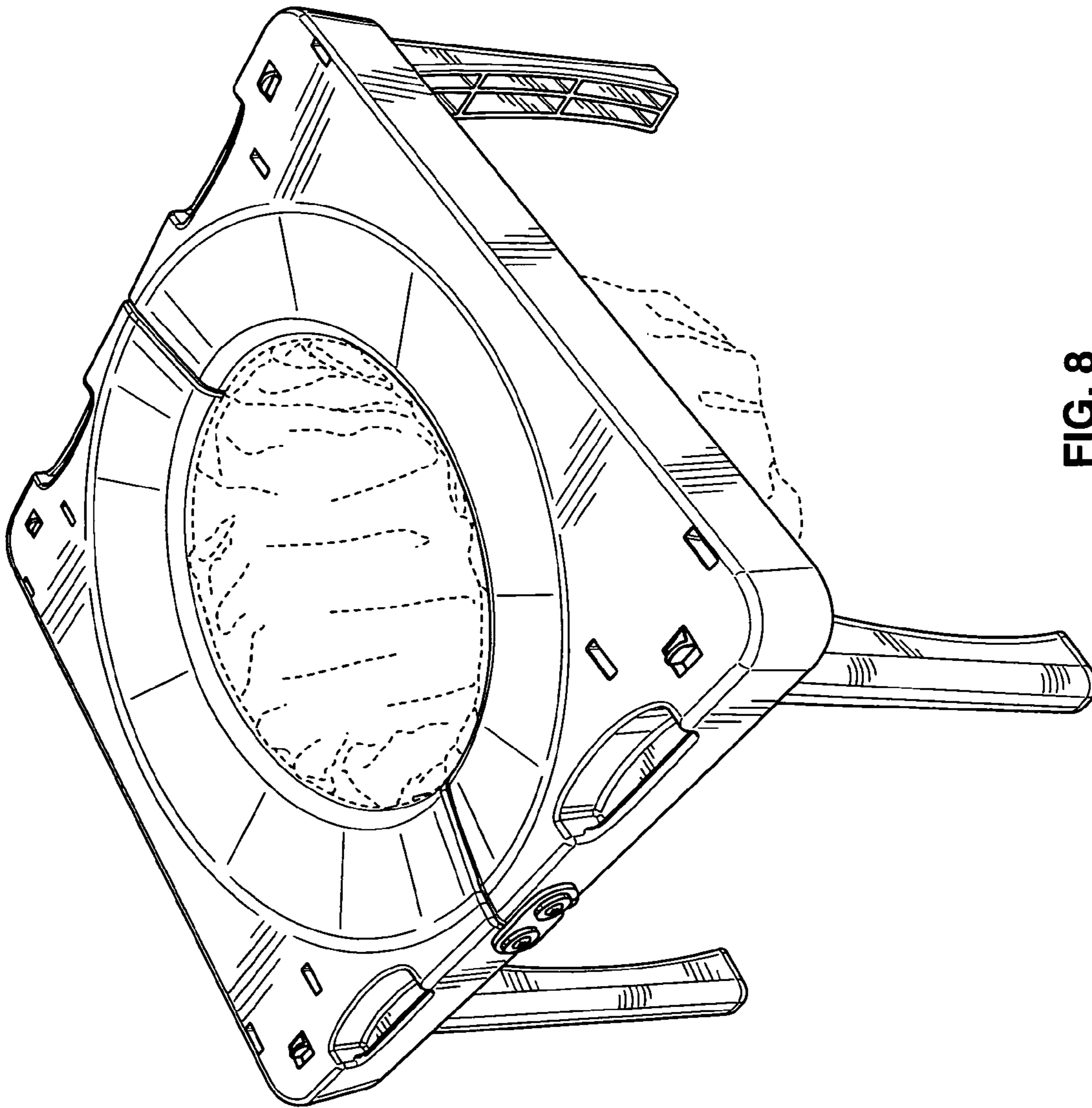


FIG. 8

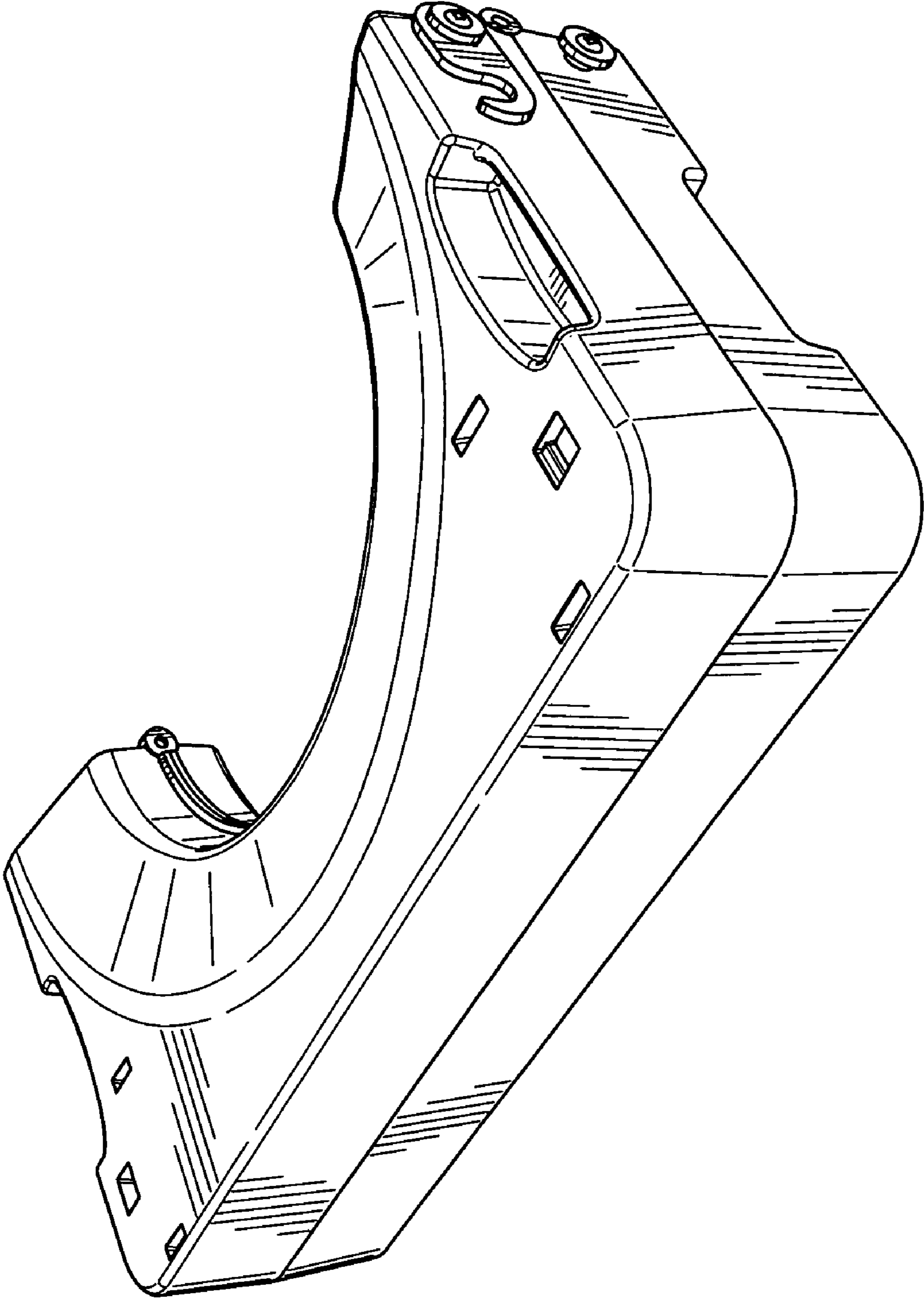


FIG. 9

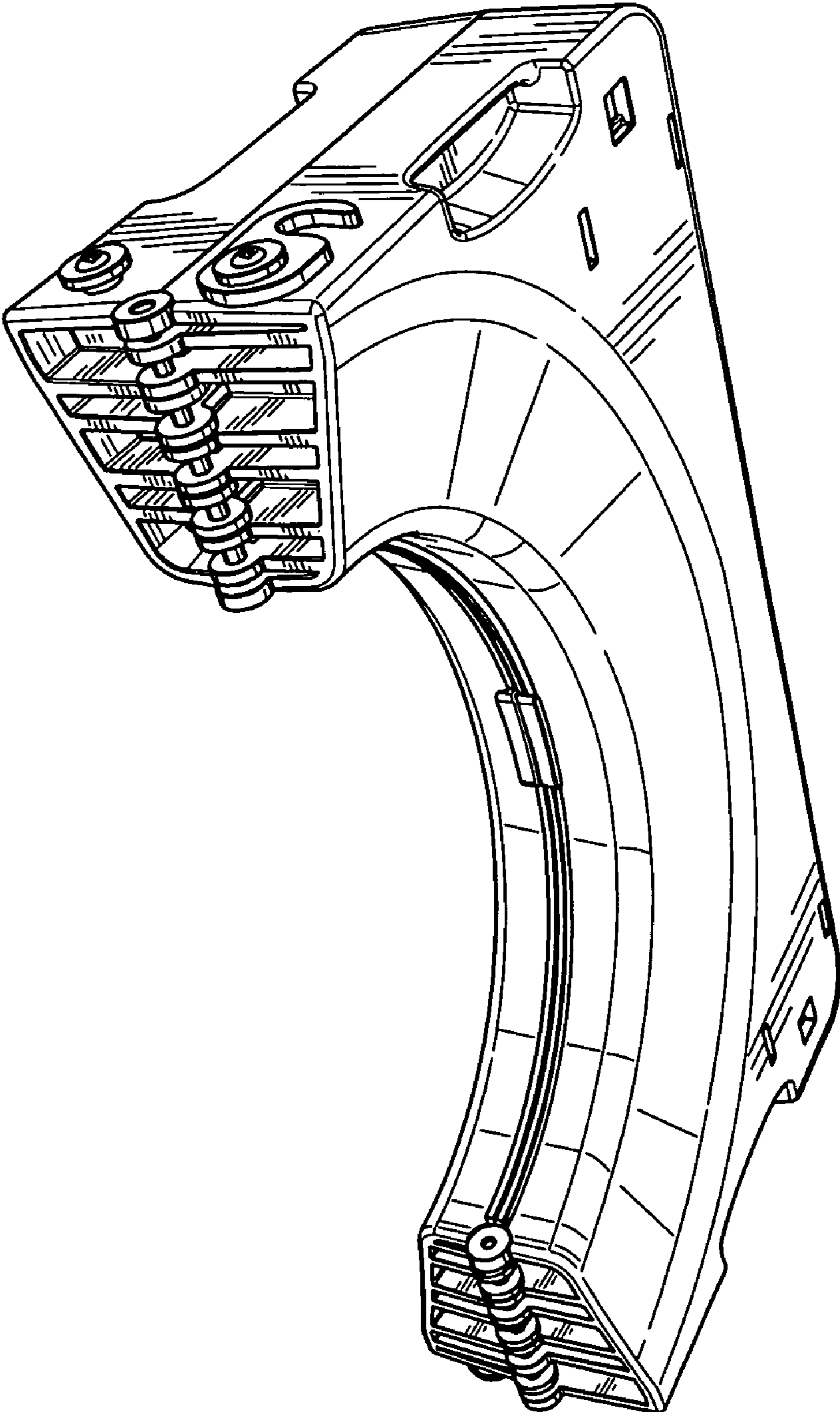


FIG. 10

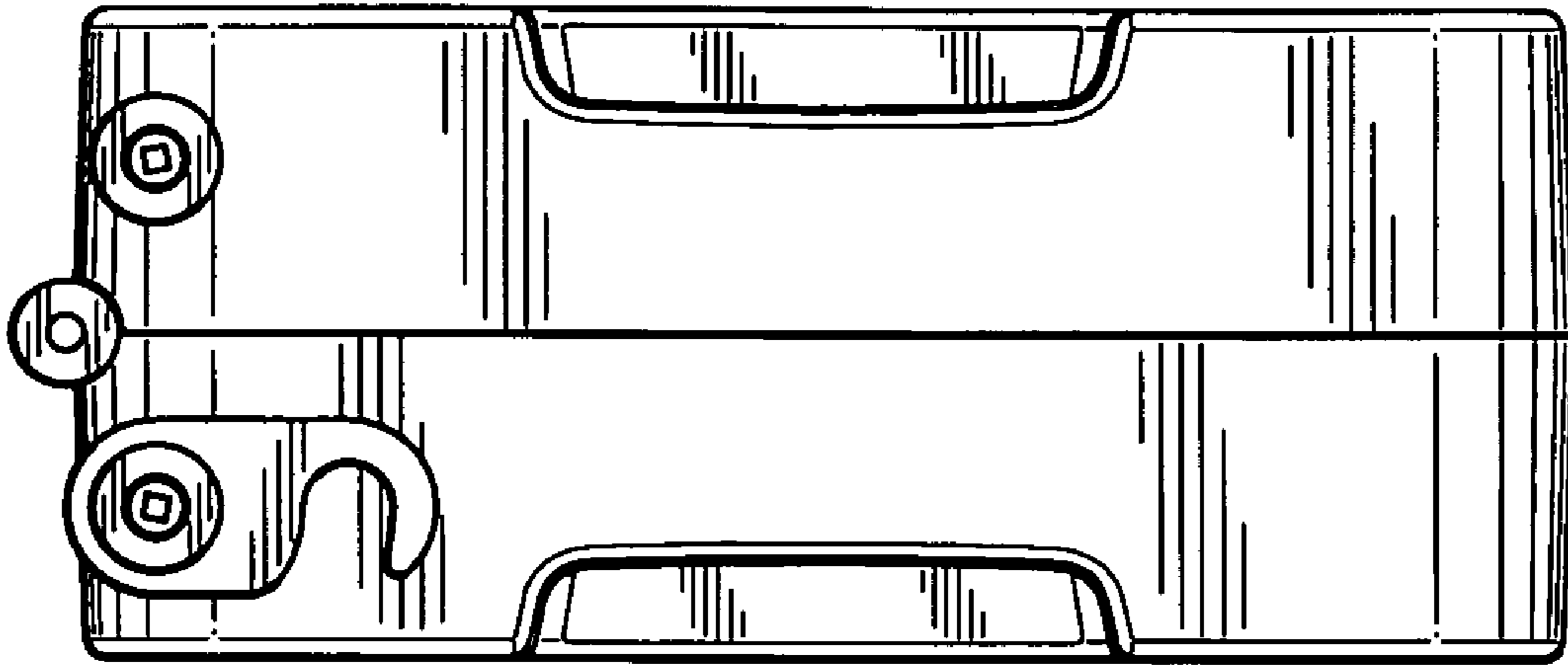


FIG. 11

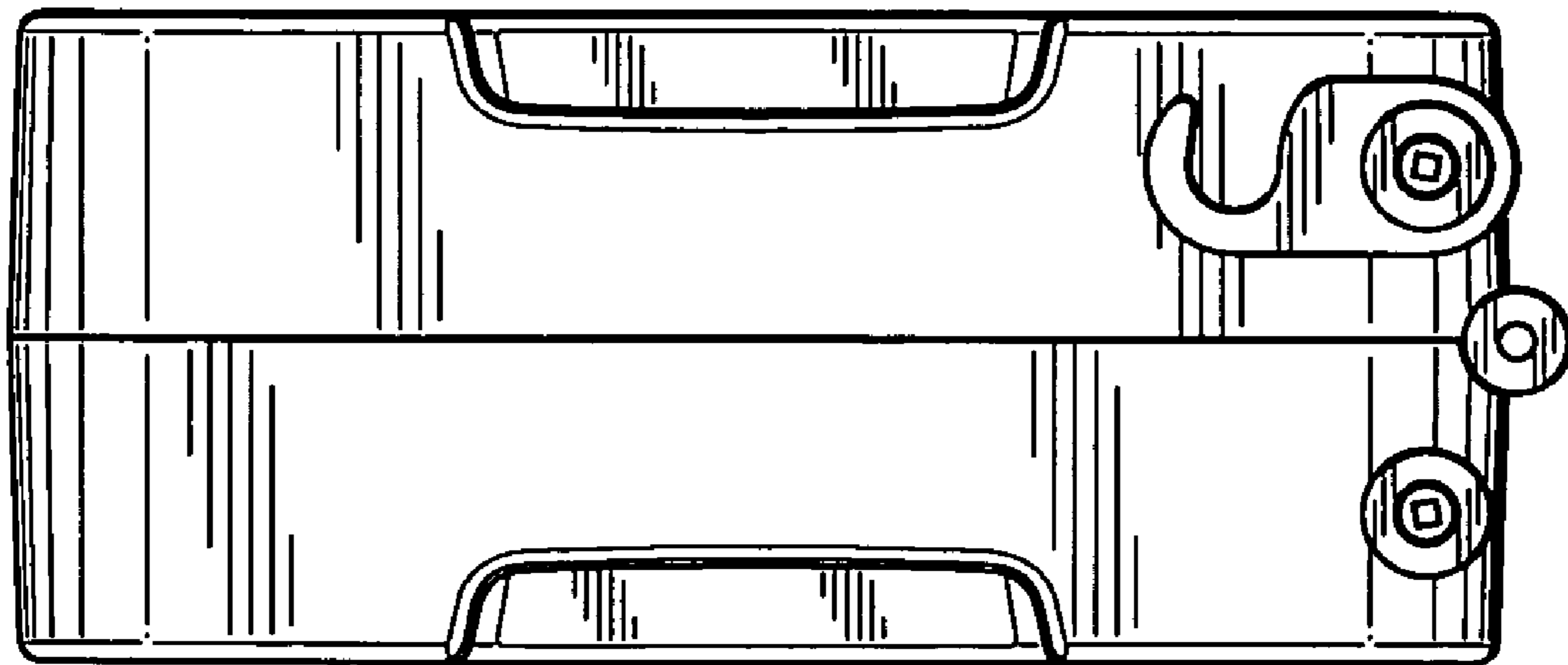


FIG. 13

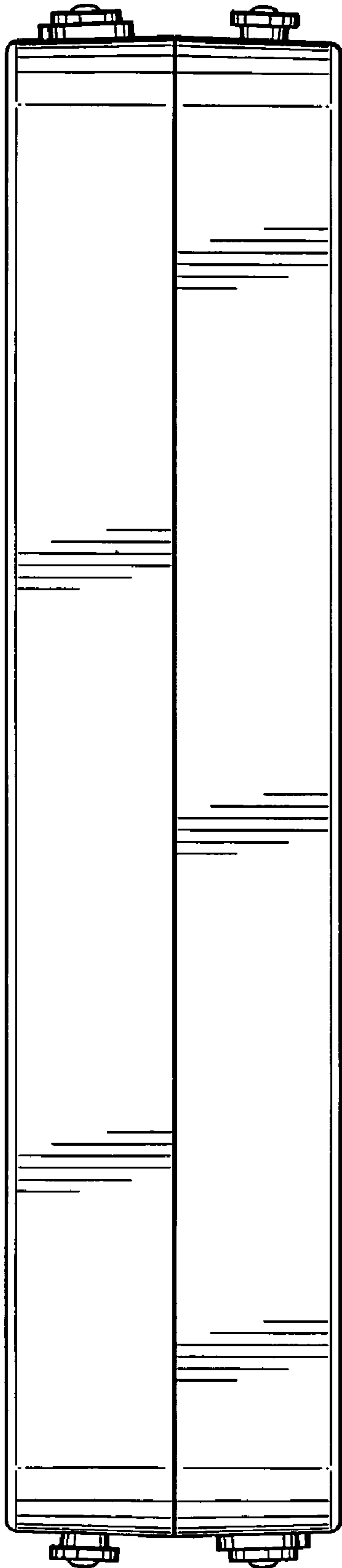


FIG. 12

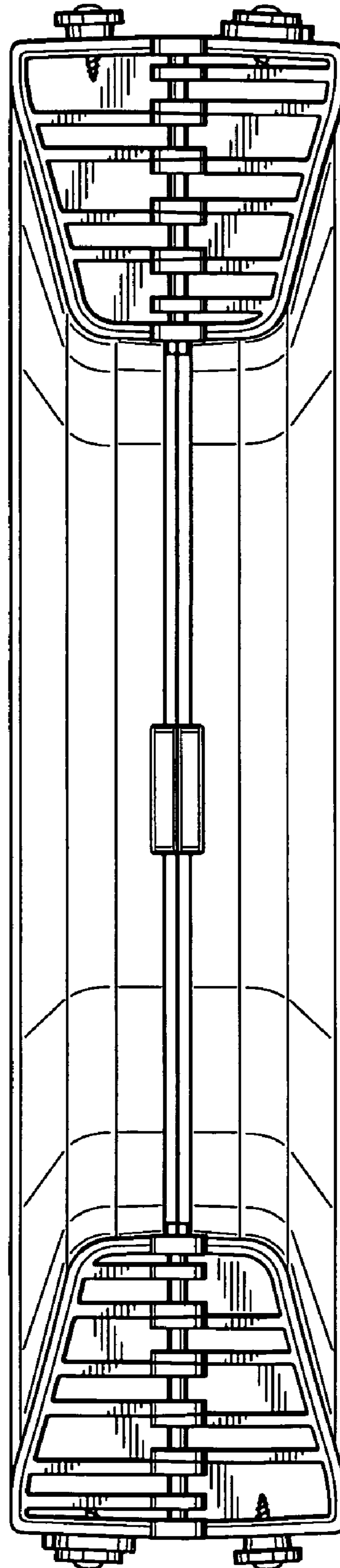


FIG. 14

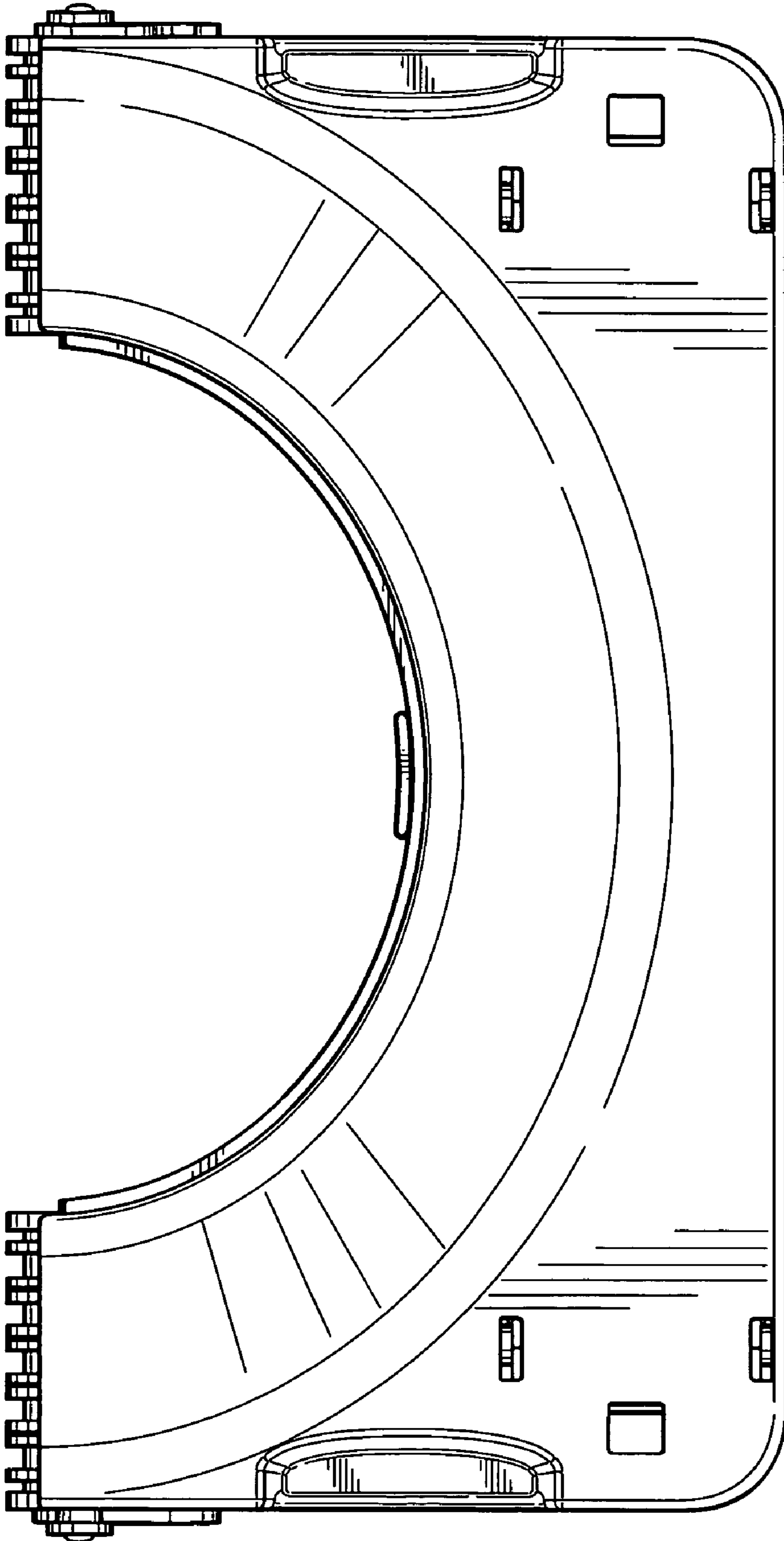


FIG. 15