



US00D620082S

(12) **United States Design Patent**
Bobby et al.

(10) **Patent No.:** **US D620,082 S**
(45) **Date of Patent:** **** Jul. 20, 2010**

(54) **VALVE BODY**

6,585,806 B2 7/2003 Quinn et al.

(Continued)

(75) Inventors: **Brian Bobby**, North Ridgeville, OH
(US); **Travis G. Ramler**, Elyria, OH
(US)

FOREIGN PATENT DOCUMENTS

EP 214373 A1 3/1987

(Continued)

(73) Assignee: **Bendix Commercial Vehicle Systems LLC**, Elyria, OH (US)

OTHER PUBLICATIONS

(**) Term: **14 Years**

Bendix Service Data SD-03-824, Bendix TC-7 Trailer Control Brake Valve, 4 pages, Mar. 2004, printed USA.

(21) Appl. No.: **29/346,839**

(Continued)

(22) Filed: **Nov. 6, 2009**

Primary Examiner—Cathron C. Brooks

Assistant Examiner—Maurice Stevens

(74) *Attorney, Agent, or Firm*—Calfee, Halter & Griswold LLP

Related U.S. Application Data

(62) Division of application No. 29/257,627, filed on Apr. 7, 2006, now Pat. No. Des. 606,163.

(51) **LOC (9) Cl.** **23-01**

(52) **U.S. Cl.** **D23/233**

(58) **Field of Classification Search** D23/233–237,
D23/213, 244–249; 137/883, 885, 454.2,
137/331; 251/309, 310, 314, 315.14, 318–334,
251/335.5, 356–368; D15/5
See application file for complete search history.

(57) **CLAIM**

We claim the ornamental design for a valve body, as shown and described.

DESCRIPTION

FIG. 1 is a perspective view of a valve body in one embodiment of the new design;

FIG. 2 is a top view of the valve body of FIG. 1;

FIG. 3 is a bottom view of the valve body of FIG. 1;

FIG. 4 is a left side view of the valve body of FIG. 1;

FIG. 5 is a front view of the valve body of FIG. 1;

FIG. 6 is a right side view of the valve body of FIG. 1; and,

FIG. 7 is a rear view of the valve body of FIG. 1.

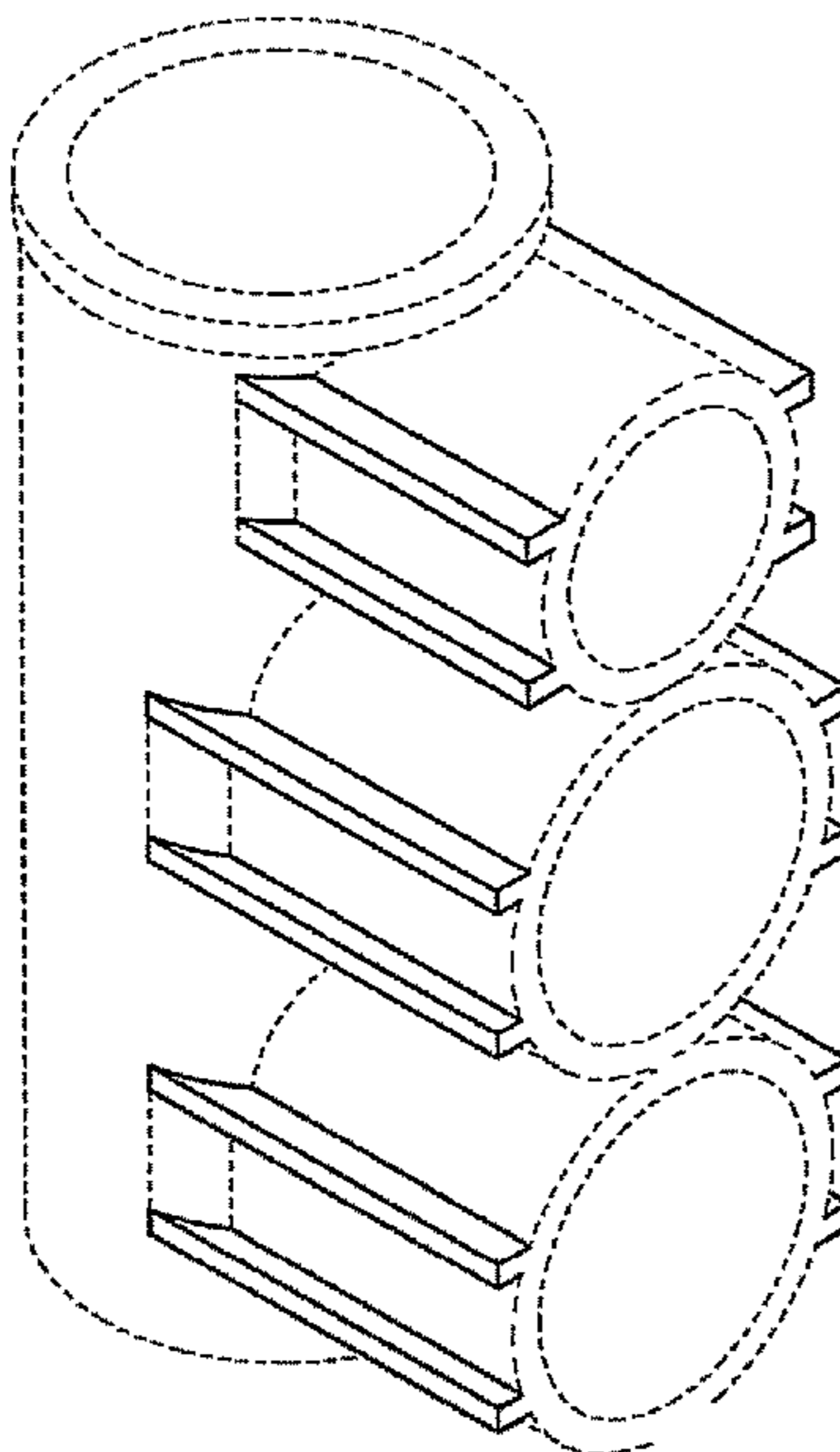
The portions of the Figures shown in phantom lines are not part of the claimed design and are for illustration only.

(56) **References Cited**

U.S. PATENT DOCUMENTS

D297,256 S	8/1988	Schwarz
D360,459 S	7/1995	Tschaeppler
5,622,544 A	4/1997	Shamine et al.
5,853,024 A	12/1998	Life
6,094,836 A	8/2000	Mahoney et al.
D430,647 S	9/2000	Bergum et al.
6,581,297 B1	6/2003	Ginder

1 Claim, 2 Drawing Sheets



US D620,082 S

Page 2

U.S. PATENT DOCUMENTS

D482,435 S 11/2003 Kawakami et al.
6,701,709 B2 3/2004 Isaac, Jr. et al.
6,730,143 B1 5/2004 Nichols et al.
D495,036 S * 8/2004 Fukai D23/249
D498,820 S * 11/2004 Fukai D23/249
D499,172 S 11/2004 Tripp et al.
6,824,594 B2 11/2004 Larsson
6,878,194 B2 4/2005 Hoffman et al.
D513,786 S 1/2006 Montano et al.
D518,874 S 4/2006 Takeda et al.
D519,188 S 4/2006 Hay
7,100,305 B2 9/2006 Hoffman et al.
D542,888 S 5/2007 Ye et al.
D546,419 S 7/2007 Steinberg
D546,920 S 7/2007 Fulkerson
7,273,072 B2 * 9/2007 Muller 137/885
D570,880 S 6/2008 Miller et al.
D574,940 S 8/2008 Quinn et al.
D578,549 S 10/2008 Nimberger
7,469,708 B2 * 12/2008 Koester 137/269

7,544,234 B2 6/2009 Fornof
D597,630 S 8/2009 Easton
7,568,496 B2 8/2009 Kraenzle
D604,821 S 11/2009 Quinn et al.
D606,163 S * 12/2009 Bobby et al. D23/233
D607,087 S * 12/2009 Bobby et al. D23/233
2002/0017283 A1 2/2002 Furuya
2004/0083893 A1 5/2004 Larsson
2007/0084348 A1 4/2007 Hoffman et al.
2008/0307965 A1 12/2008 Hoffman et al.
2009/0199523 A1 8/2009 Hilberer

FOREIGN PATENT DOCUMENTS

WO 8911054 A1 11/1989

OTHER PUBLICATIONS

Bendix Service Data SD-03-821, Bendix TC-6 Trailer Control Brake Valve, 4 pages, Mar. 2004, printed USA.
Bendix Air System Components 03, Brake Valves, 5 pages, Mar. 2004, printed USA.

* cited by examiner

Fig.2

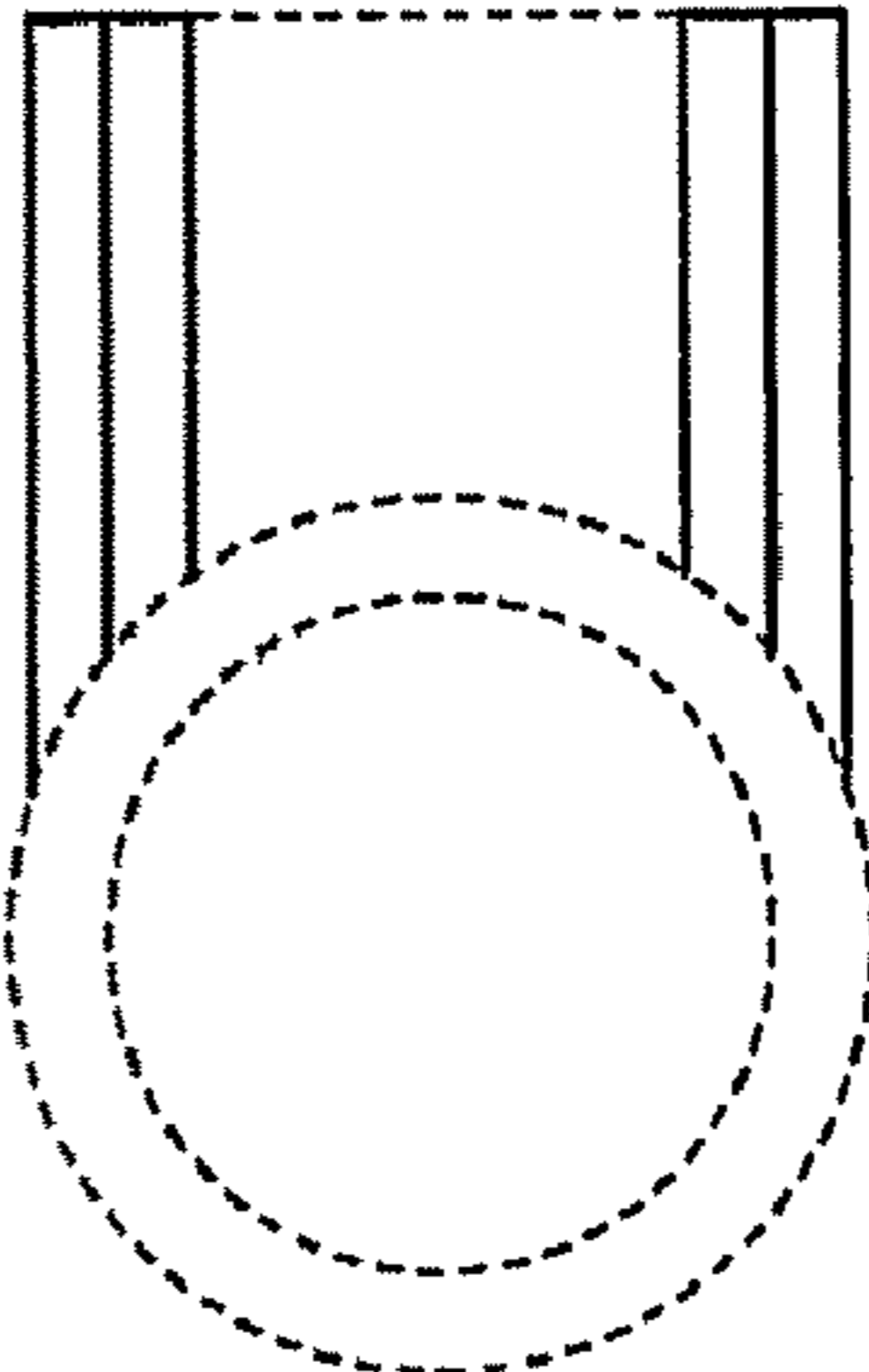


Fig.3

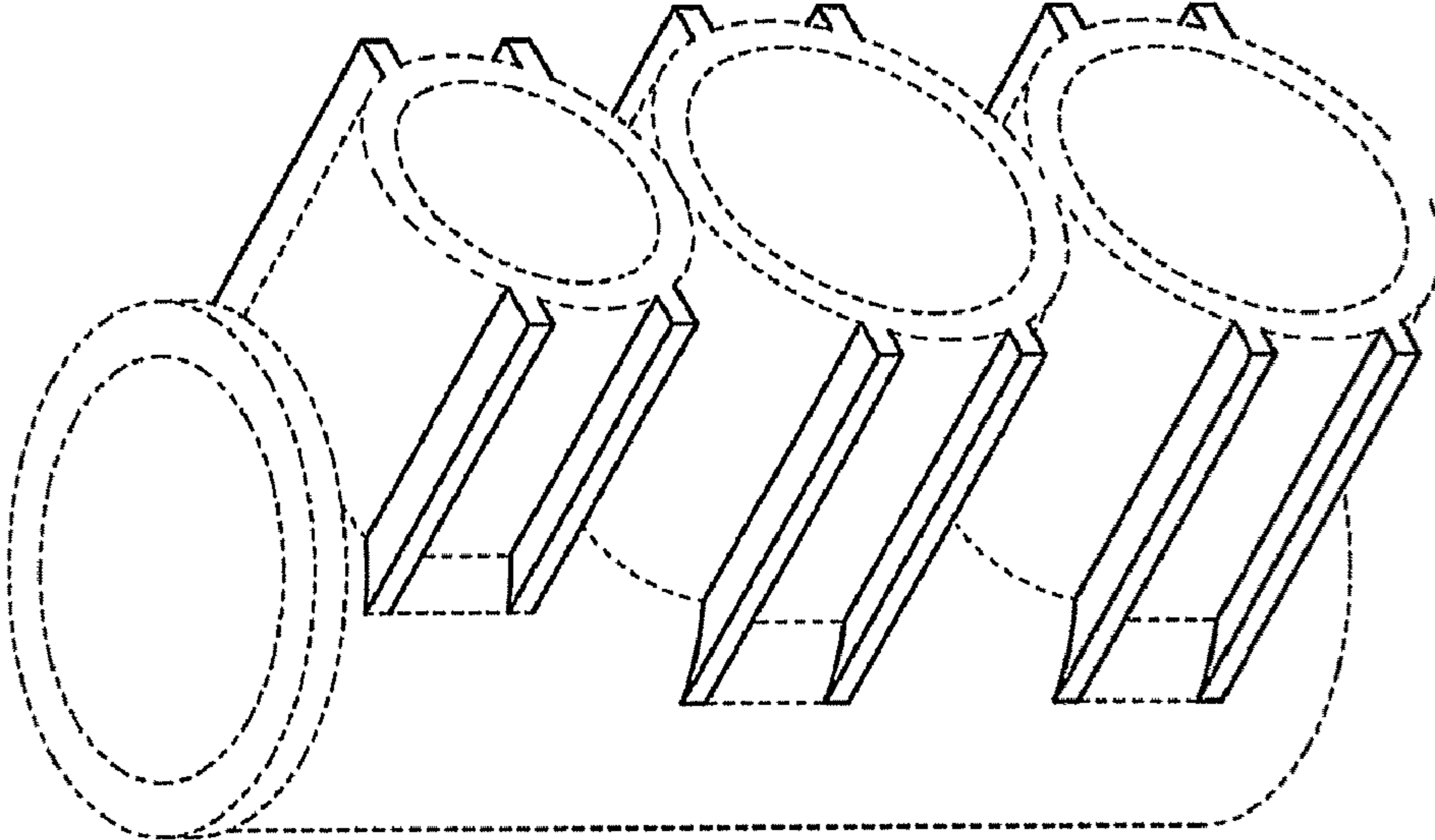
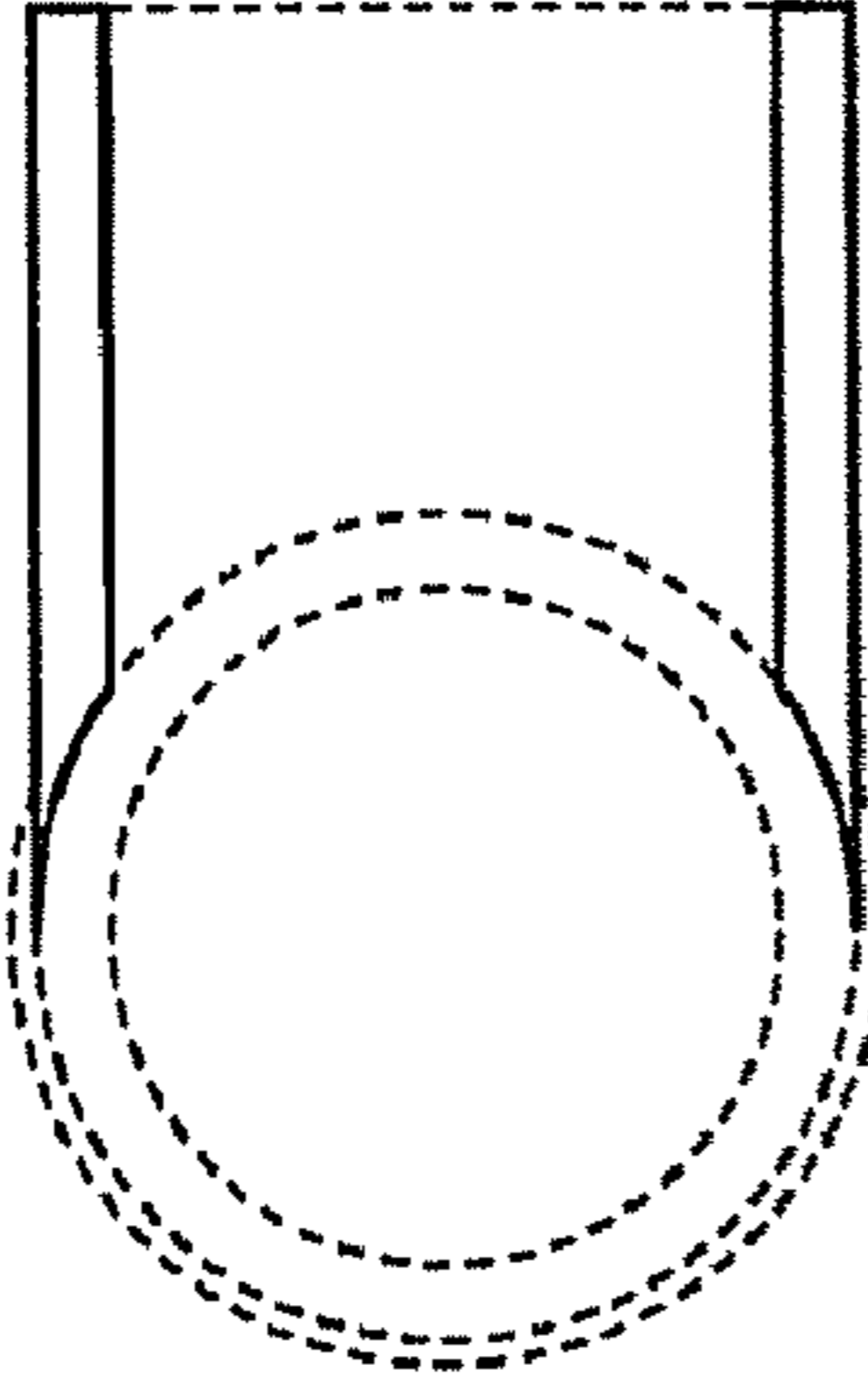


Fig.1



Fig.7

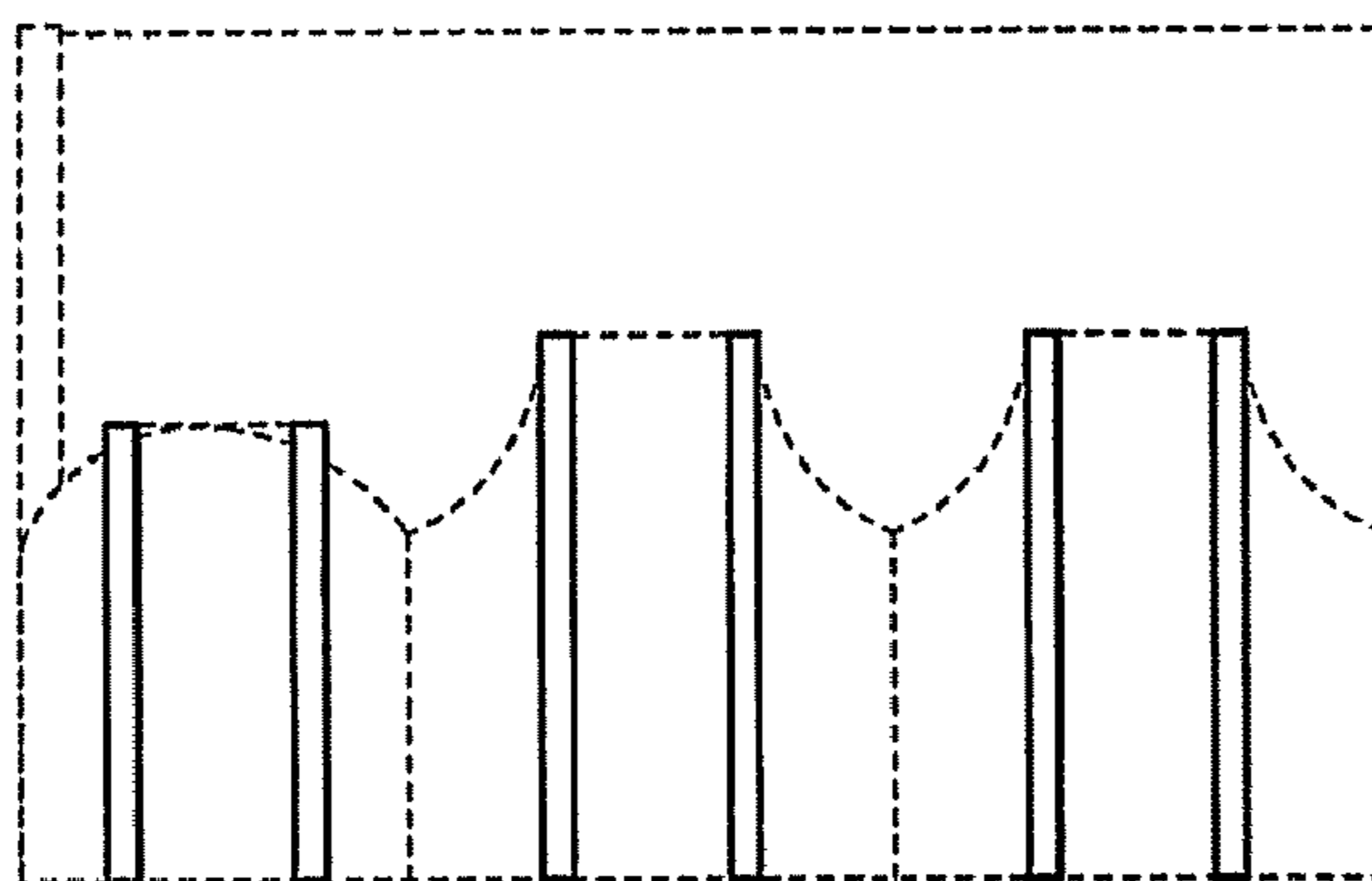


Fig.6

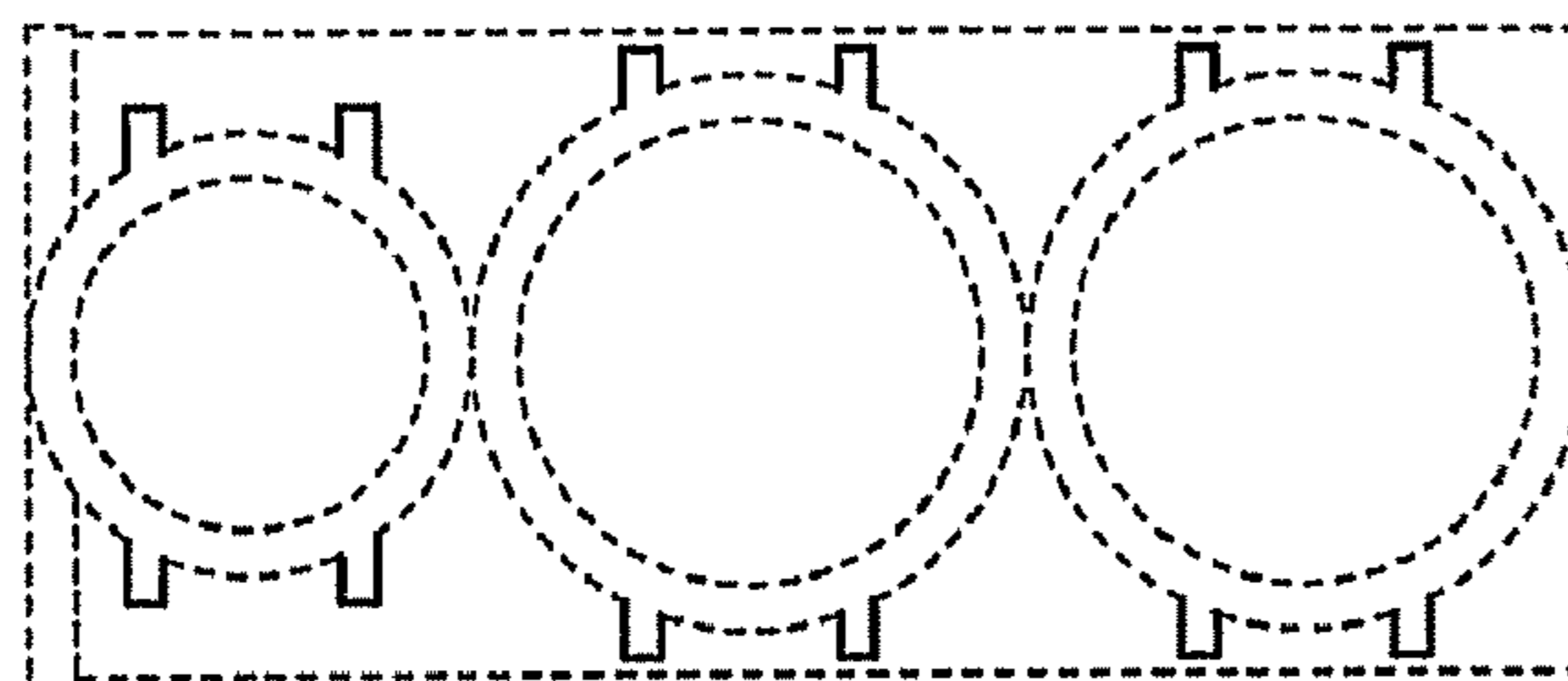


Fig.5

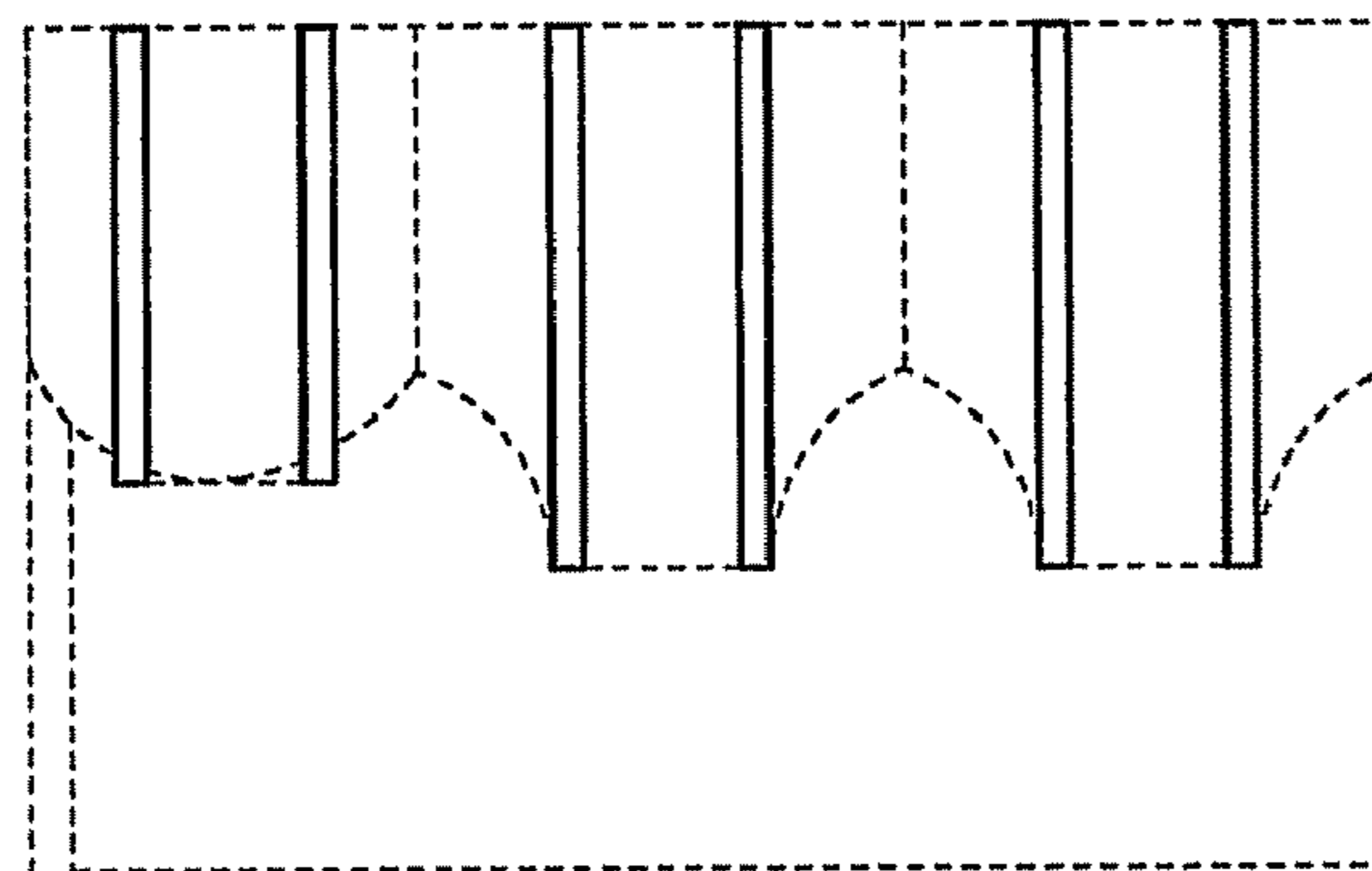


Fig.4