

US00D620080S

(12) **United States Design Patent**
Jian et al.

(10) **Patent No.:** **US D620,080 S**

(45) **Date of Patent:** **** Jul. 20, 2010**

(54) **SHOWERHEAD**

D567,906 S * 4/2008 Huang D23/229
D589,592 S * 3/2009 Genord et al. D23/213

(75) Inventors: **Zhang Jian**, Piscataway, NJ (US); **Jiang Xuefeng**, Piscataway, NJ (US)

* cited by examiner

(73) Assignee: **AS IP Holdco, L.L.C.**, Piscataway, NJ (US)

Primary Examiner—Robin V Webster
(74) *Attorney, Agent, or Firm*—Flaster/Greenberg P.C.

(**) Term: **14 Years**

(57) **CLAIM**

(21) Appl. No.: **29/344,887**

The ornamental design for a showerhead, as shown and described.

(22) Filed: **Oct. 6, 2009**

DESCRIPTION

(51) **LOC (9) Cl.** **23-01**

FIG. 1 is a perspective view of a showerhead;

(52) **U.S. Cl.** **D23/229**

FIG. 2 is a bottom plan view of the showerhead of FIG. 1;

(58) **Field of Classification Search** D23/213,
D23/223, 226, 229–230; 239/282–283; 4/605,
4/615, 570, 567

FIG. 3 is a right side view of the showerhead of FIG. 1;

FIG. 4 is a left side view of the showerhead of FIG. 1;

FIG. 5 is a rear view of the showerhead of FIG. 1;

FIG. 6 is a front view of the showerhead of FIG. 1; and,

FIG. 7 is a top plan view of the showerhead of FIG. 1.

See application file for complete search history.

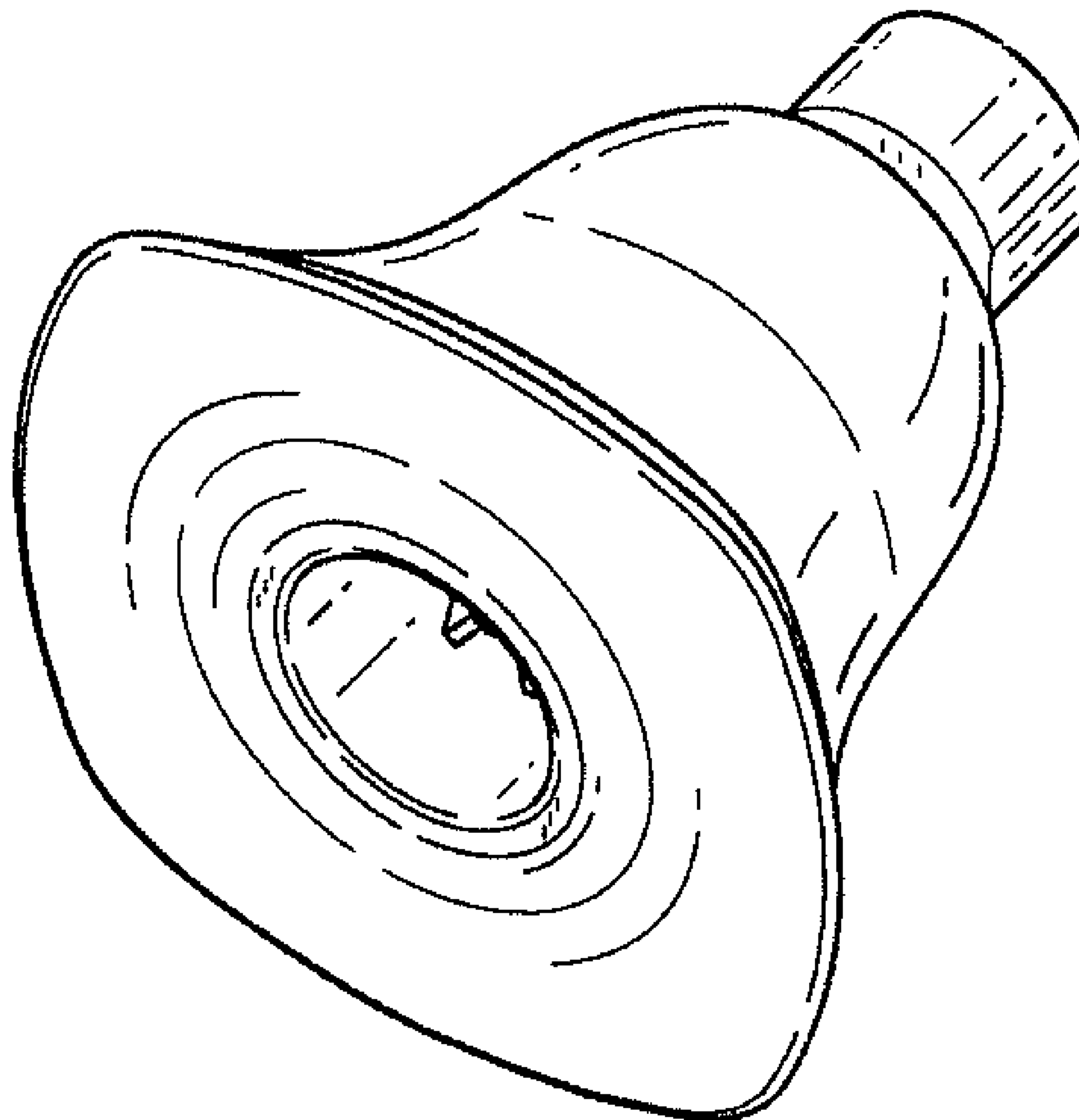
The broken line showing in FIG. 7 is included for the purpose of illustrating and forms no part of the claimed design.

(56) **References Cited**

U.S. PATENT DOCUMENTS

D544,944 S * 6/2007 Li D23/213
D556,295 S * 11/2007 Genord et al. D23/229
D559,357 S * 1/2008 Wang et al. D23/229

1 Claim, 1 Drawing Sheet



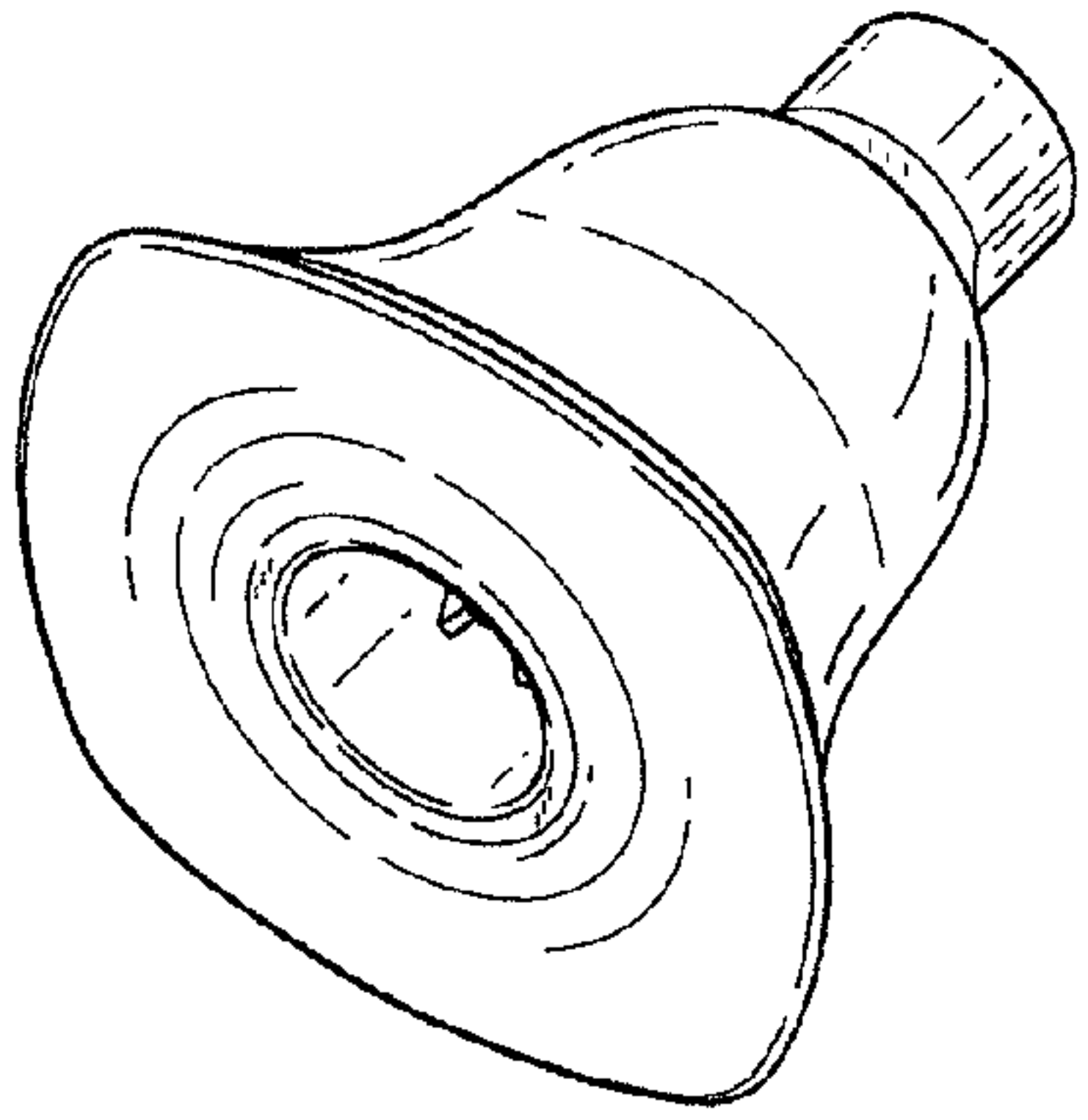


FIG. 1

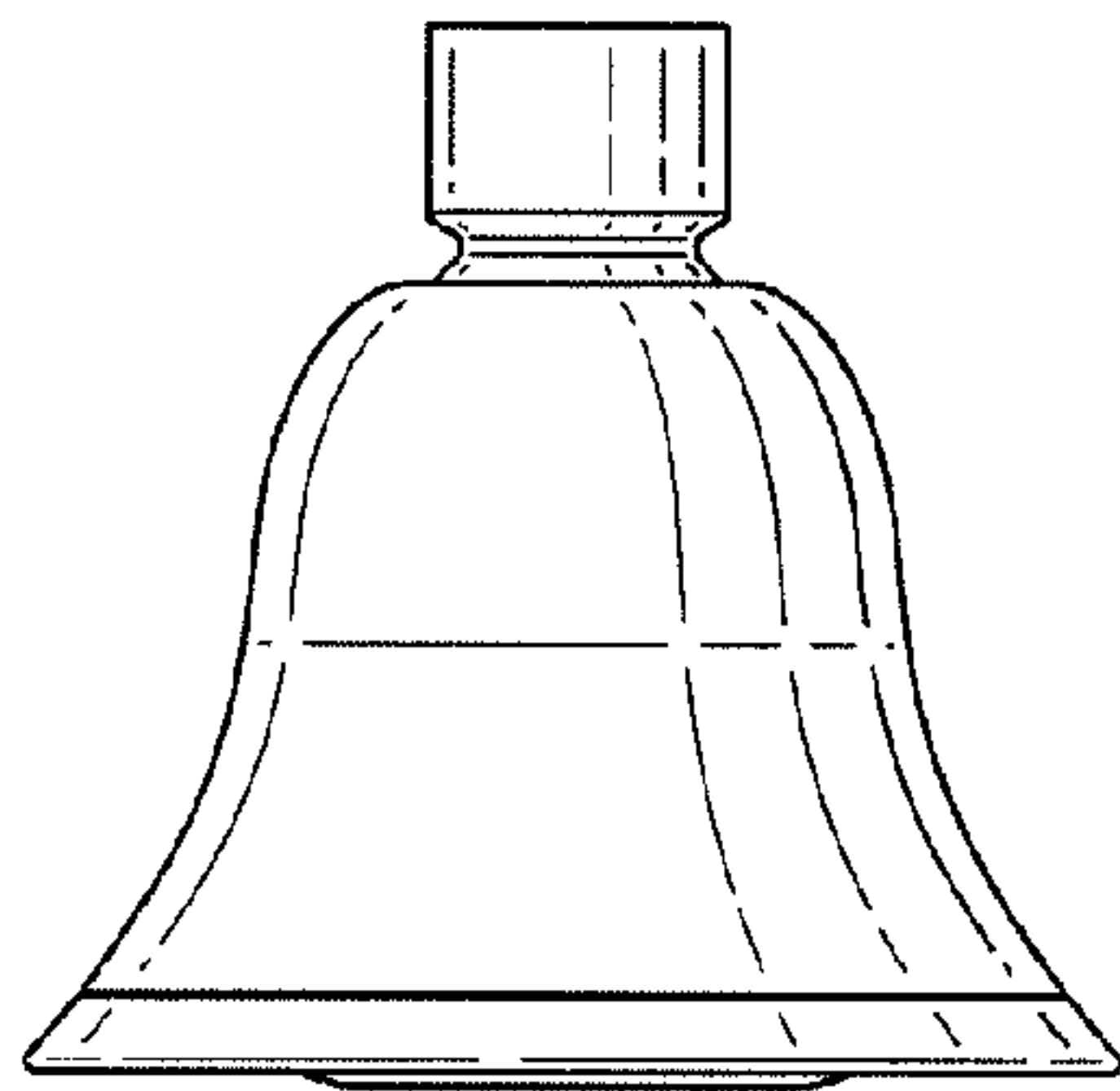


FIG. 5

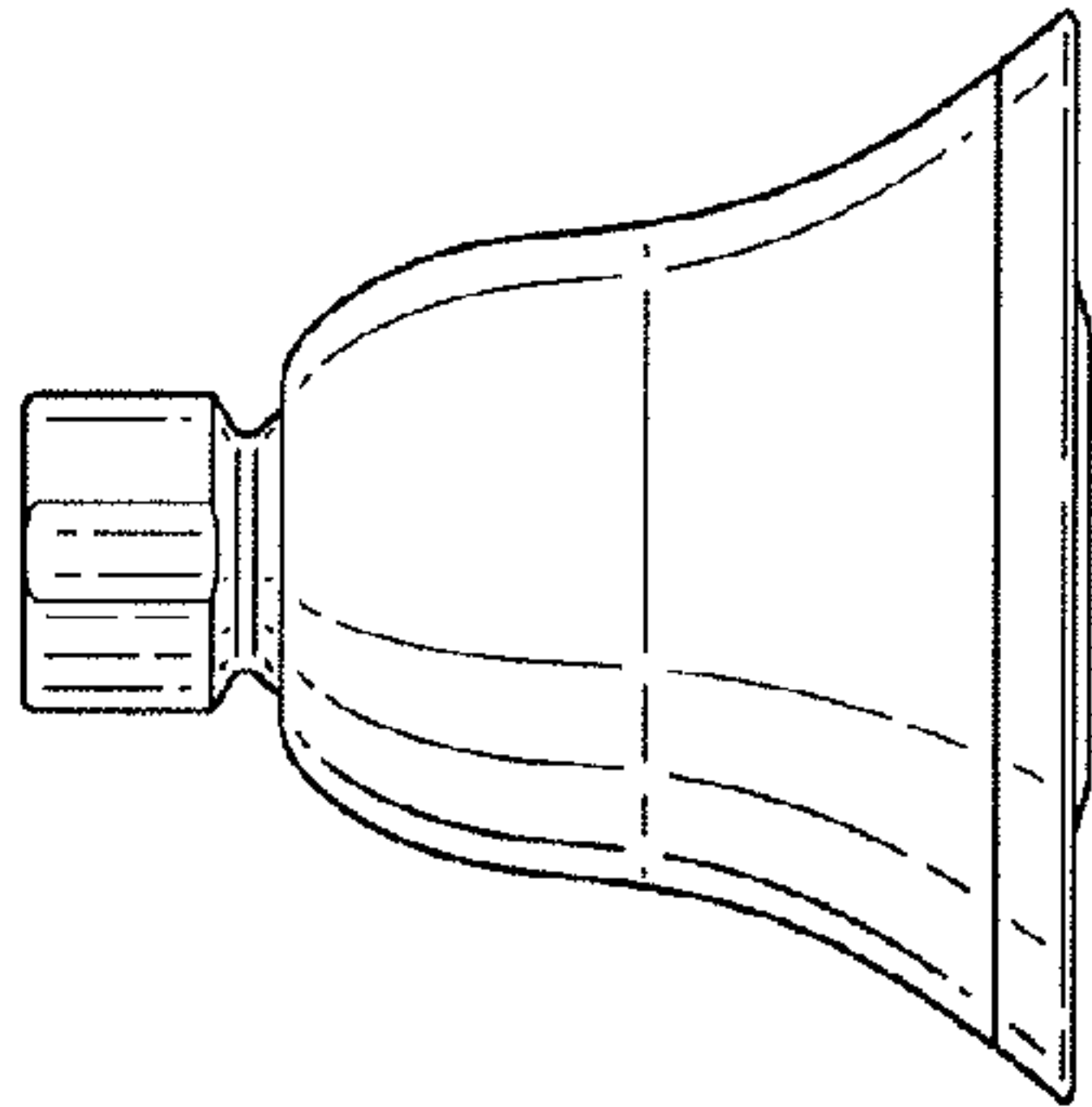


FIG. 3

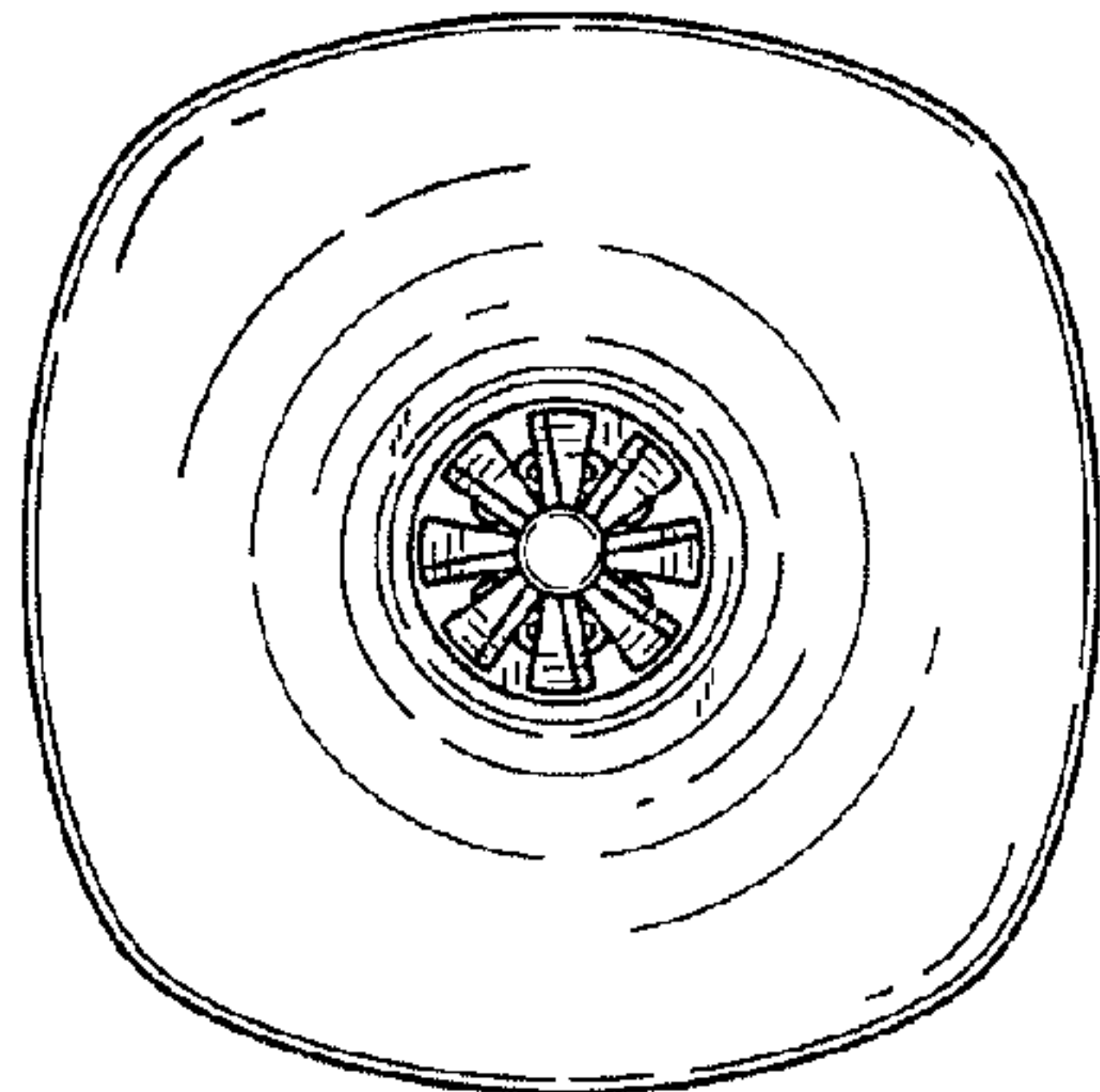


FIG. 2

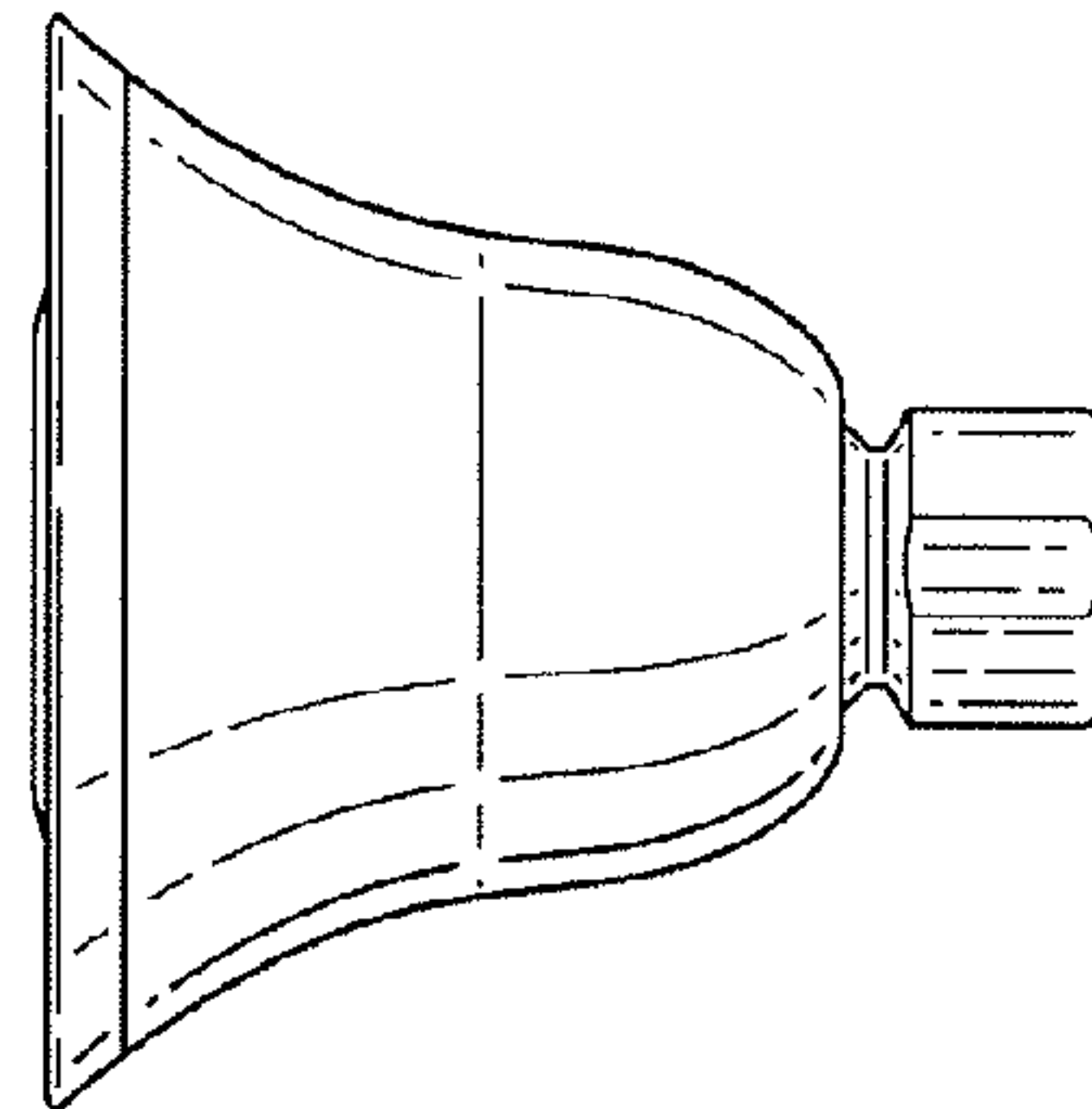


FIG. 4

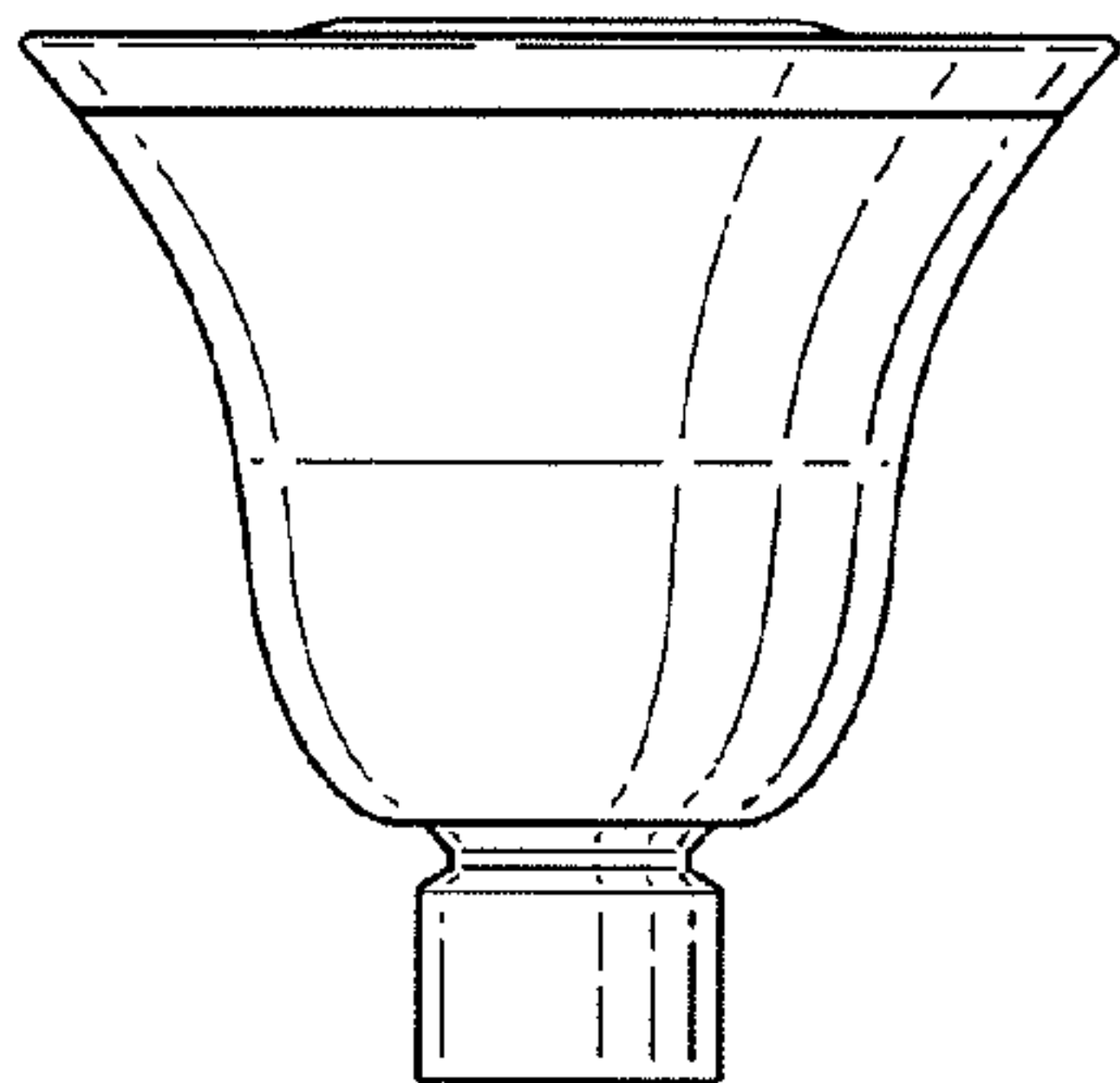


FIG. 6

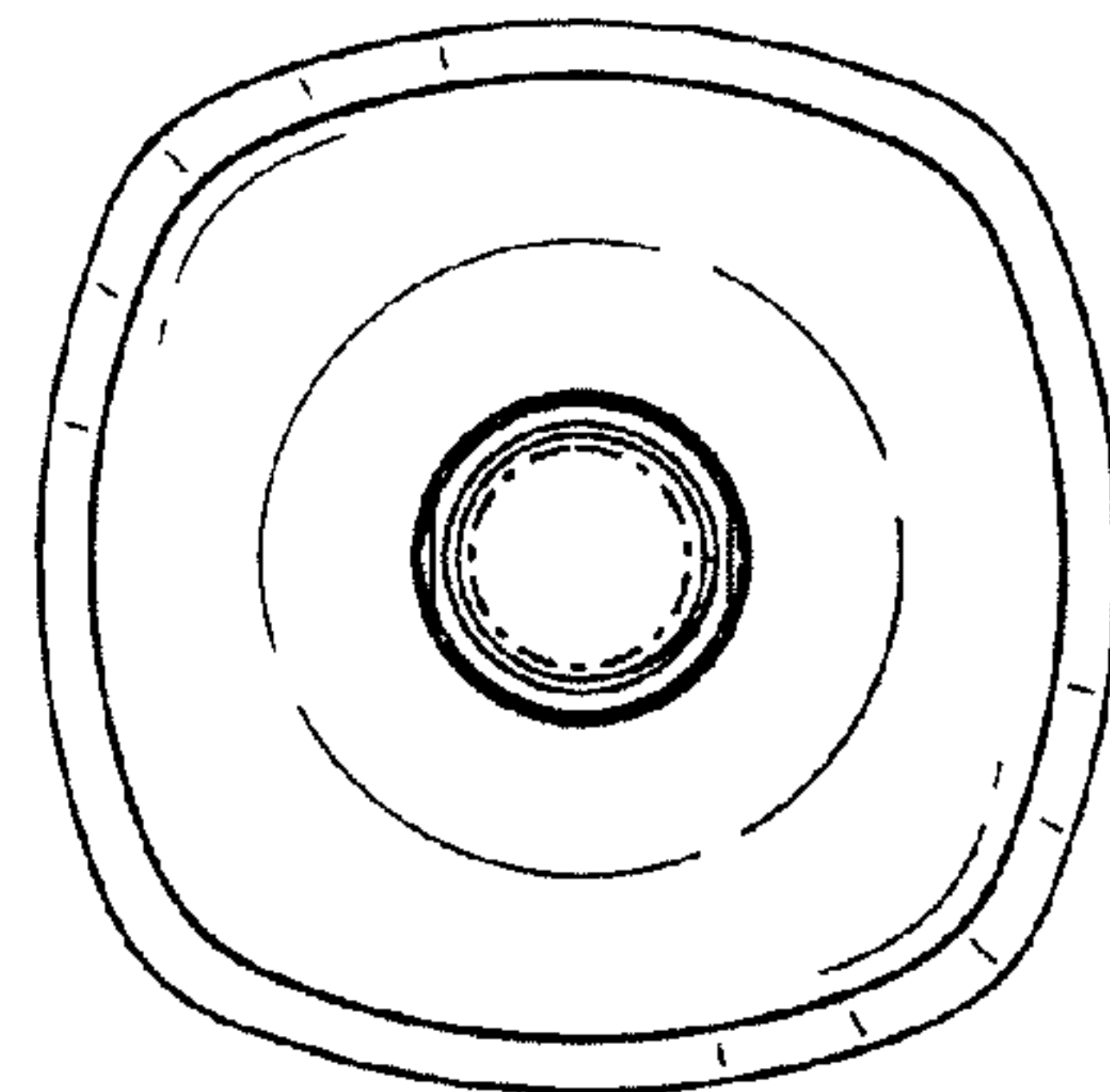


FIG. 7