



US00D620079S

(12) **United States Design Patent**
Jian et al.

(10) **Patent No.:** **US D620,079 S**
(45) **Date of Patent:** **** Jul. 20, 2010**

(54) **SHOWERHEAD**

(75) Inventors: **Zhang Jian**, Piscataway, NJ (US); **Jiang Xuefeng**, Piscataway, NJ (US)

(73) Assignee: **AS IP Holdco, L.L.C.**, Piscataway, NJ (US)

(**) Term: **14 Years**

(21) Appl. No.: **29/344,880**

(22) Filed: **Oct. 6, 2009**

(51) **LOC (9) Cl.** **23-01**

(52) **U.S. Cl.** **D23/229**

(58) **Field of Classification Search** D23/213,
D23/223, 226, 229–230; 239/282–283; 4/605,
4/615, 570, 567

See application file for complete search history.

(56) **References Cited**

U.S. PATENT DOCUMENTS

D325,770 S *	4/1992	Haug et al.	D23/213
D503,461 S *	3/2005	Ouyoung	D23/229
D544,944 S *	6/2007	Li	D23/213
D556,295 S *	11/2007	Genord et al.	D23/229
D556,856 S *	12/2007	Buttgen	D23/213

D559,357 S *	1/2008	Wang et al.	D23/229
D567,906 S *	4/2008	Huang	D23/229
D589,592 S *	3/2009	Genord et al.	D23/213

* cited by examiner

Primary Examiner—Robin V Webster

(74) *Attorney, Agent, or Firm*—Flaster/Greemberg P.C.

(57) **CLAIM**

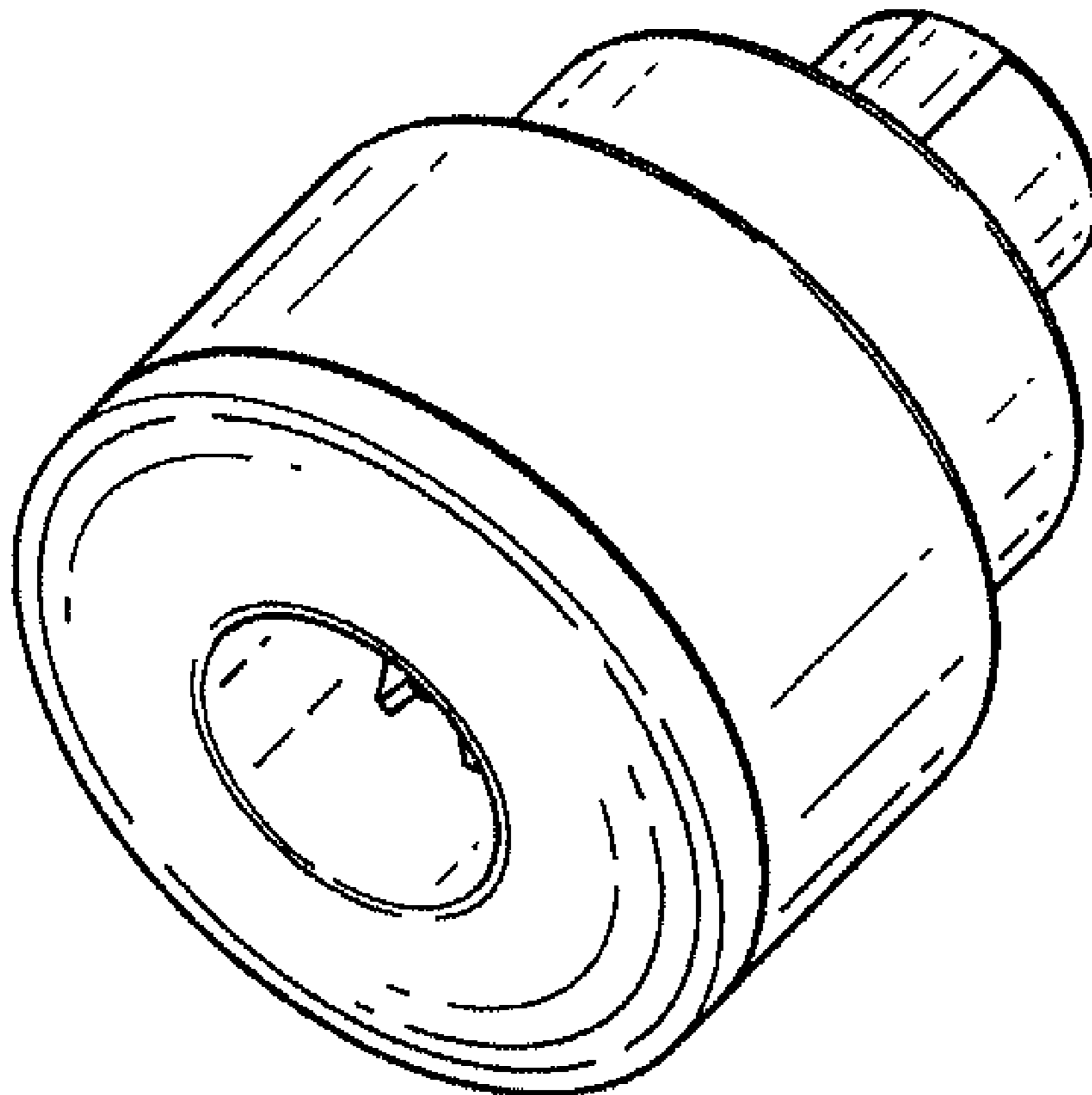
The ornamental design for a showerhead, as shown and described.

DESCRIPTION

FIG. 1 is a perspective view of a showerhead;
FIG. 2 is a bottom plan view of the showerhead of FIG. 1;
FIG. 3 is a right side view of the showerhead of FIG. 1;
FIG. 4 is a left side view of the showerhead of FIG. 1;
FIG. 5 is a front view of the showerhead of FIG. 1;
FIG. 6 is a rear view of the showerhead of FIG. 1; and,
FIG. 7 is a top plan view of the showerhead of FIG. 1.

The broken line showing in FIG. 7 is included for the purpose of illustrating and forms no part of the claimed design.

1 Claim, 1 Drawing Sheet



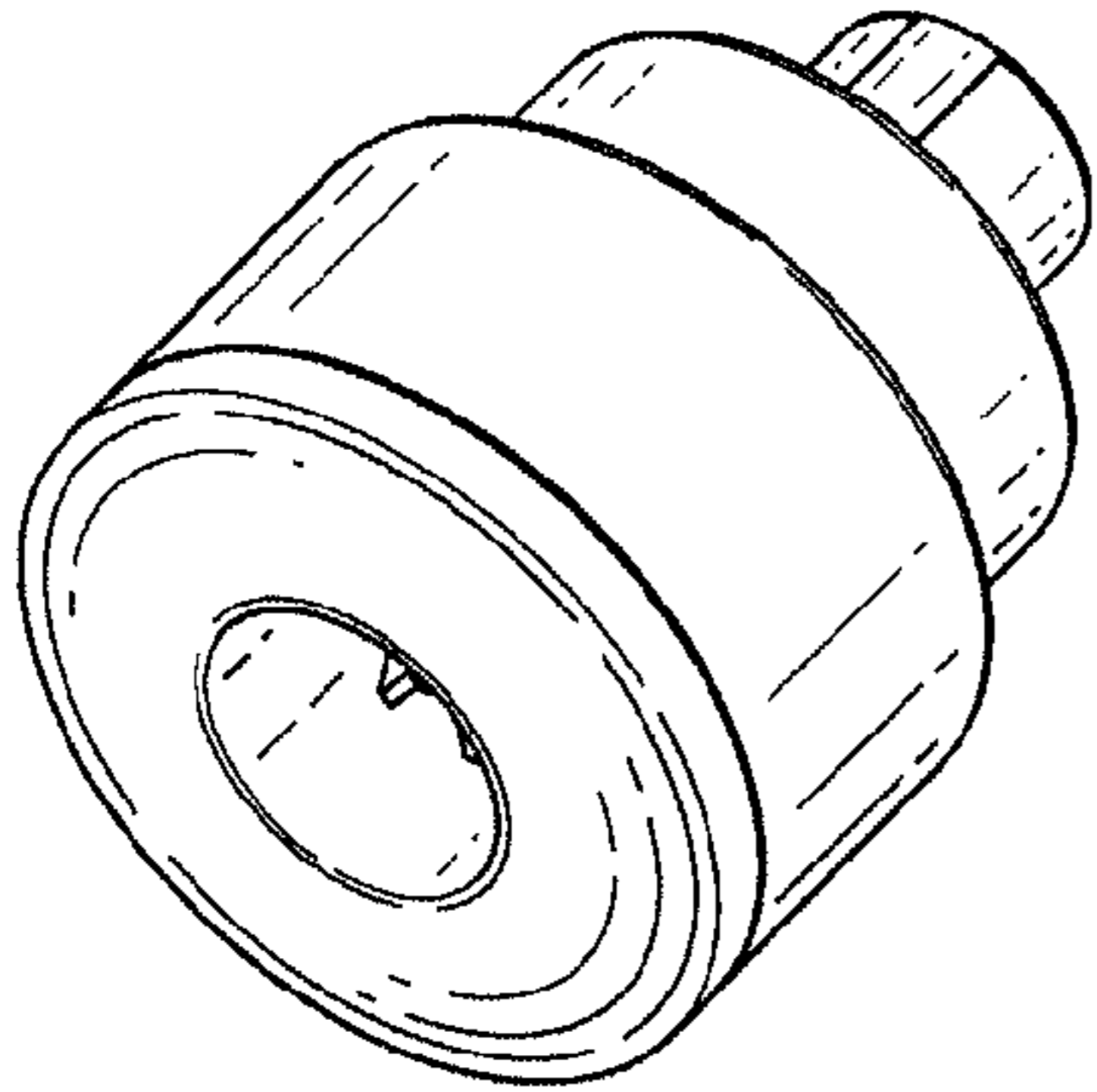


FIG. 1

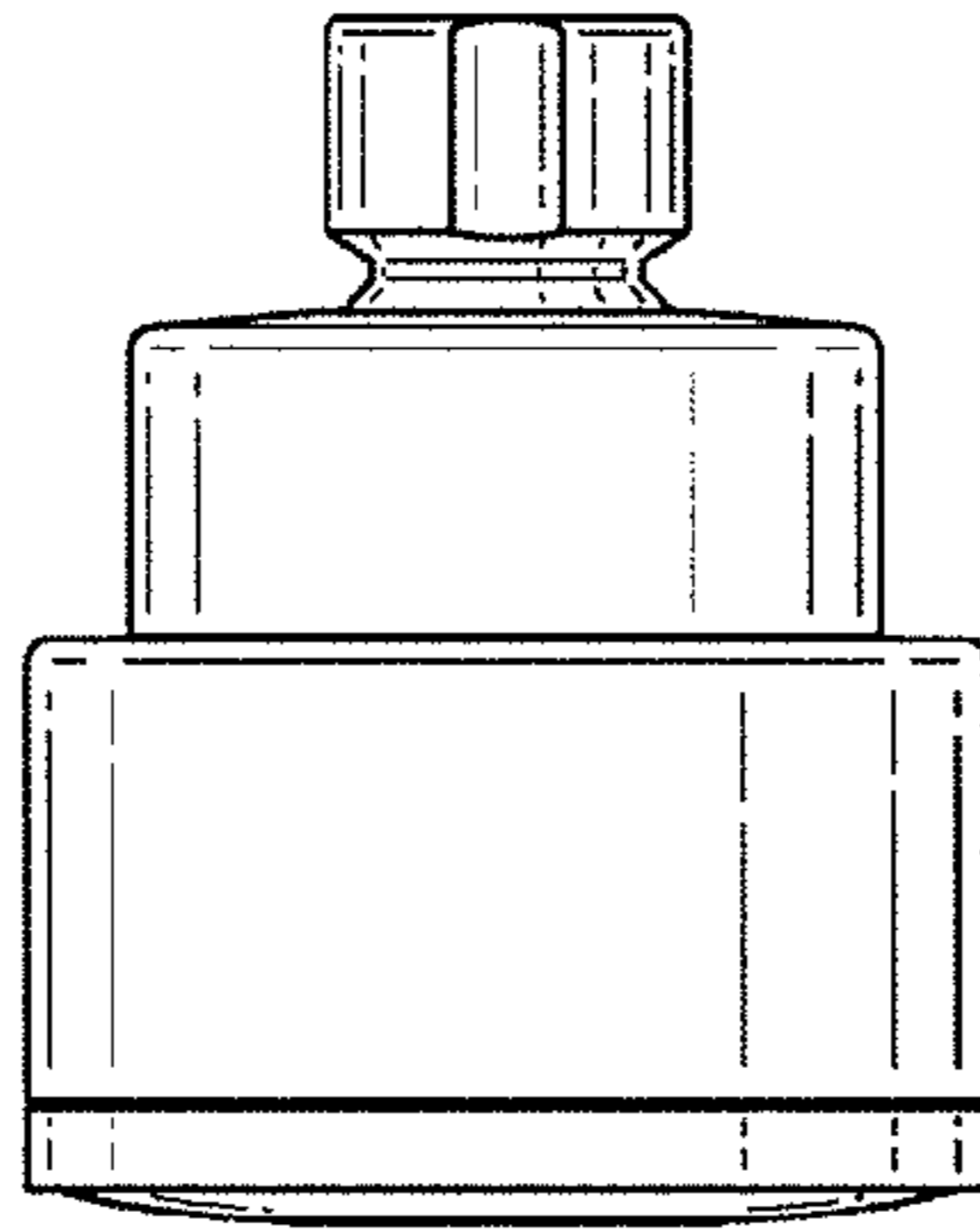


FIG. 5

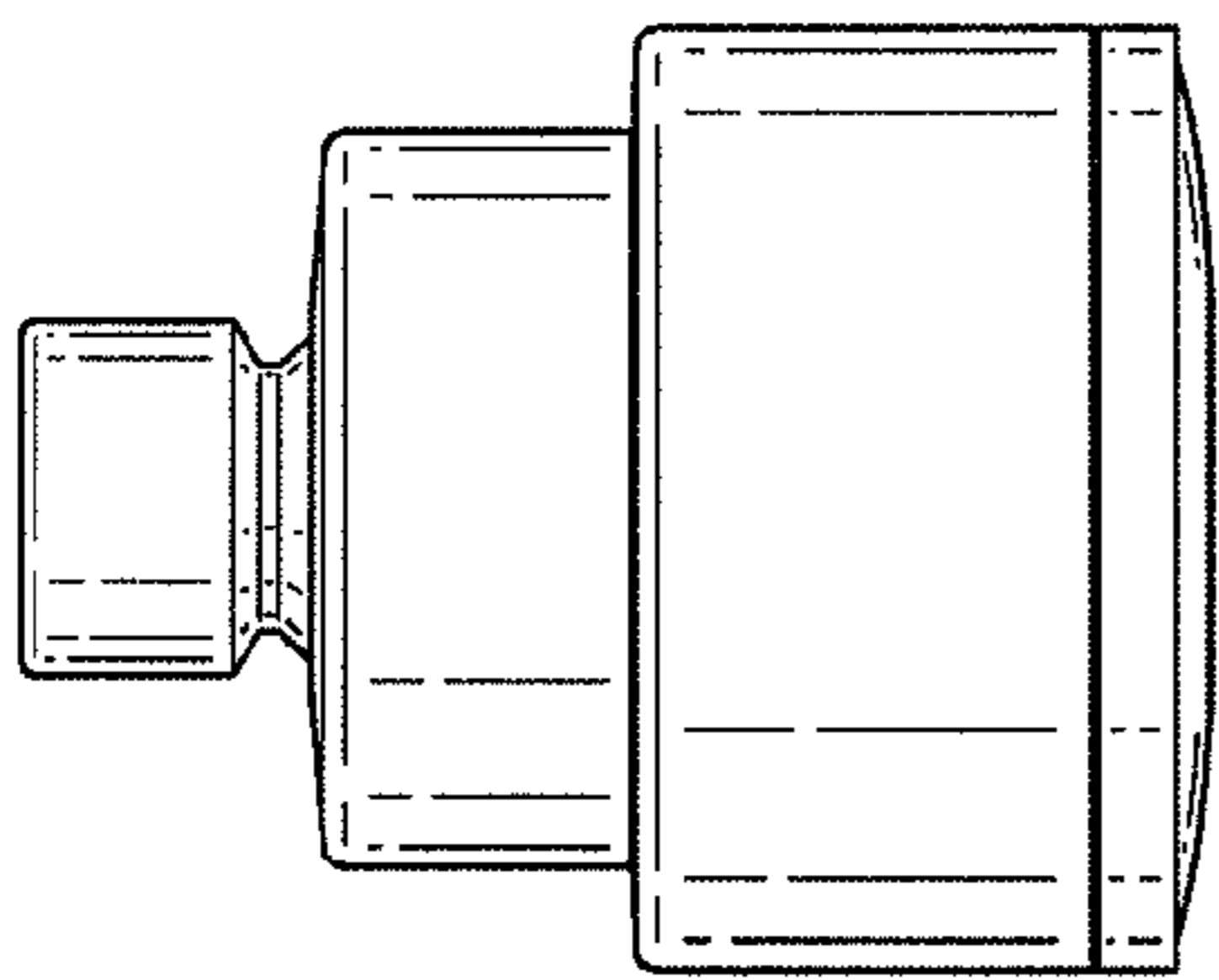


FIG. 3

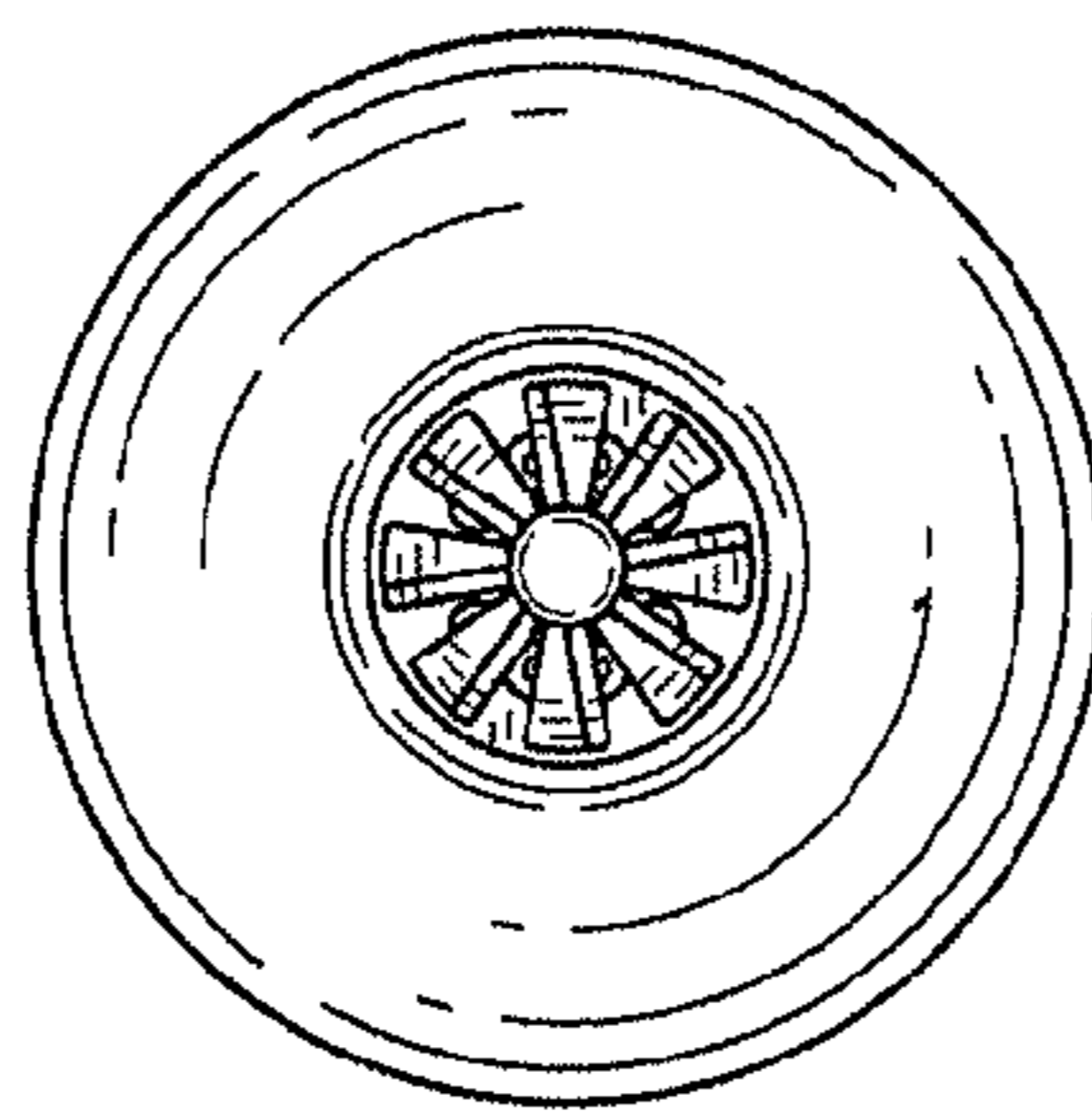


FIG. 2

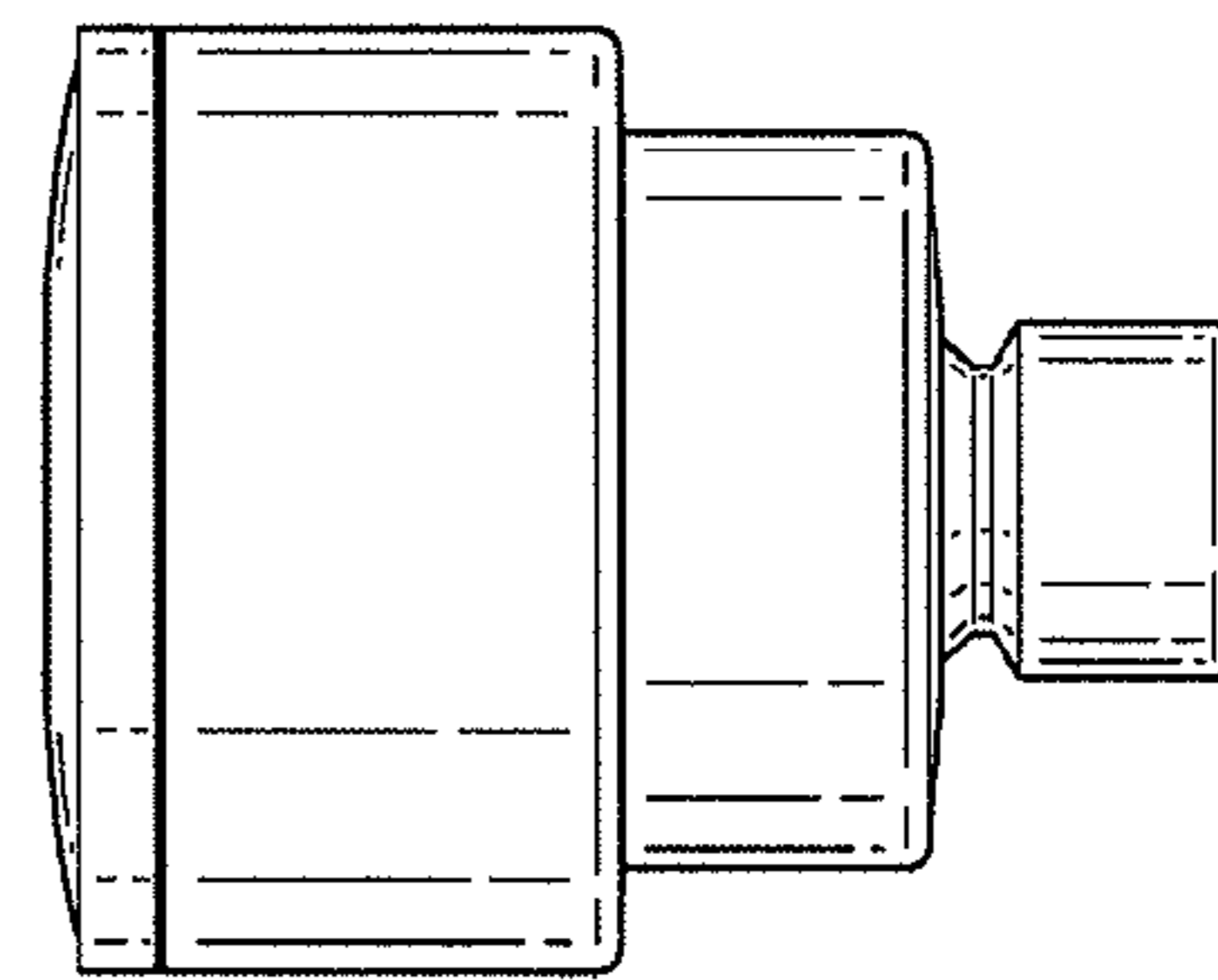


FIG. 4

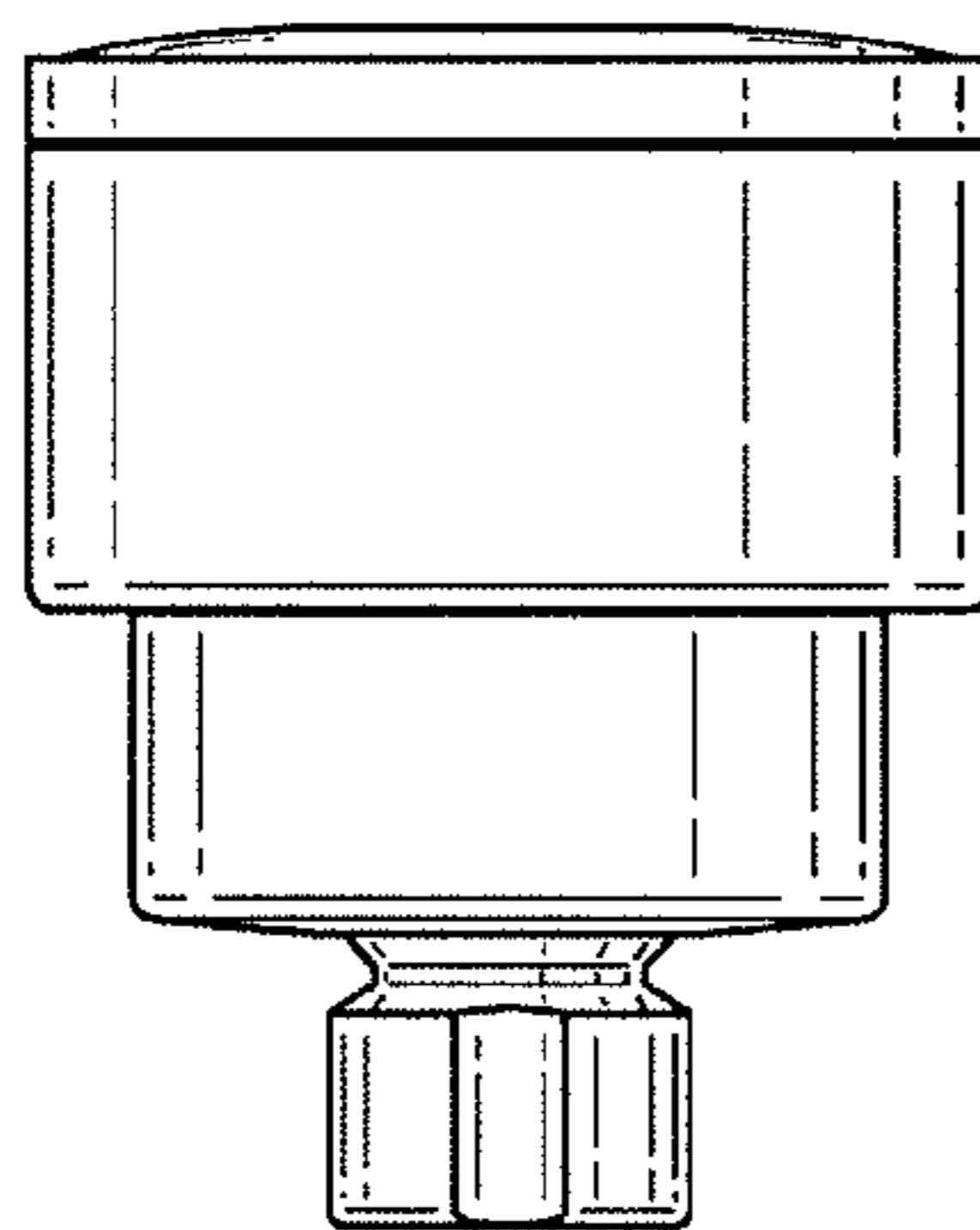


FIG. 6

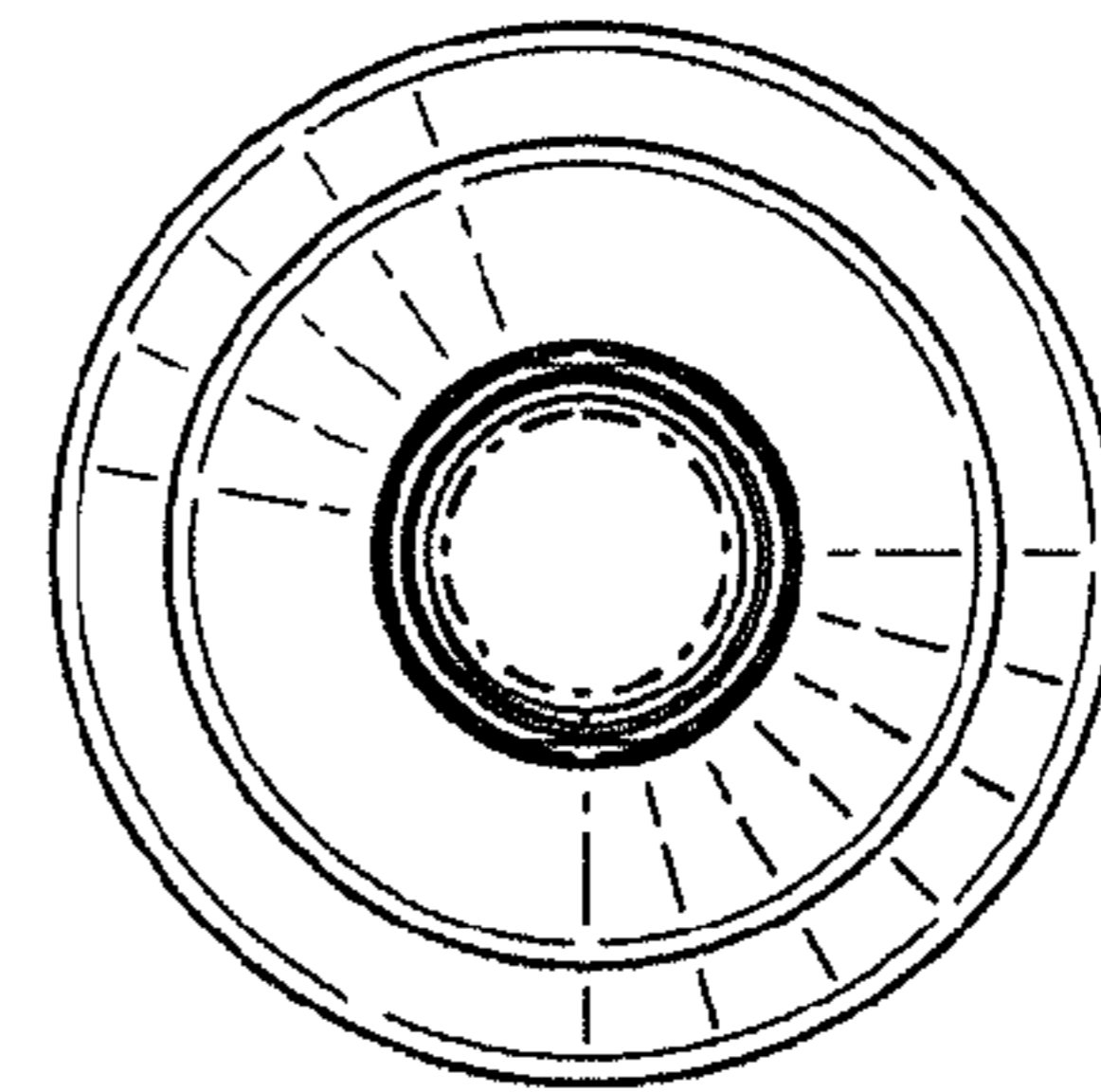


FIG. 7