



US00D620076S

(12) **United States Design Patent**
Jian et al.

(10) **Patent No.:** **US D620,076 S**
(45) **Date of Patent:** **** Jul. 20, 2010**

(54) **SHOWERHEAD**

(75) Inventors: **Zhang Jian**, Piscataway, NJ (US); **Jiang Xuefeng**, Piscataway, NJ (US)

(73) Assignee: **AS IP Holdco, L.L.C.**, Piscataway, NJ (US)

(**) Term: **14 Years**

(21) Appl. No.: **29/344,871**

(22) Filed: **Oct. 6, 2009**

(51) **LOC (9) Cl.** **23-01**

(52) **U.S. Cl.** **D23/223; D23/229**

(58) **Field of Classification Search** D23/213,
D23/223, 226, 229–230; 239/282–283; 4/605,
4/615, 570, 567

See application file for complete search history.

(56) **References Cited**

U.S. PATENT DOCUMENTS

D457,598 S *	5/2002	Storti et al.	D23/223
D484,945 S *	1/2004	Ouyoung	D23/213
D518,145 S *	3/2006	Nikles	D23/223
D524,411 S *	7/2006	Eilmus	D23/229
D527,072 S *	8/2006	Wu	D23/223
D544,944 S *	6/2007	Li	D23/213
D545,941 S *	7/2007	Li	D23/223
D559,357 S *	1/2008	Wang et al.	D23/229

D559,948 S *	1/2008	Bickler et al.	D23/223
D565,699 S *	4/2008	Berberet	D23/223
D565,702 S *	4/2008	Daunter et al.	D23/223
D579,517 S *	10/2008	Corbett	D23/223
D581,485 S *	11/2008	Kollmann et al.	D23/223

* cited by examiner

Primary Examiner—Robin V Webster

(74) *Attorney, Agent, or Firm*—Flaster/Greenberg P.C.

(57) **CLAIM**

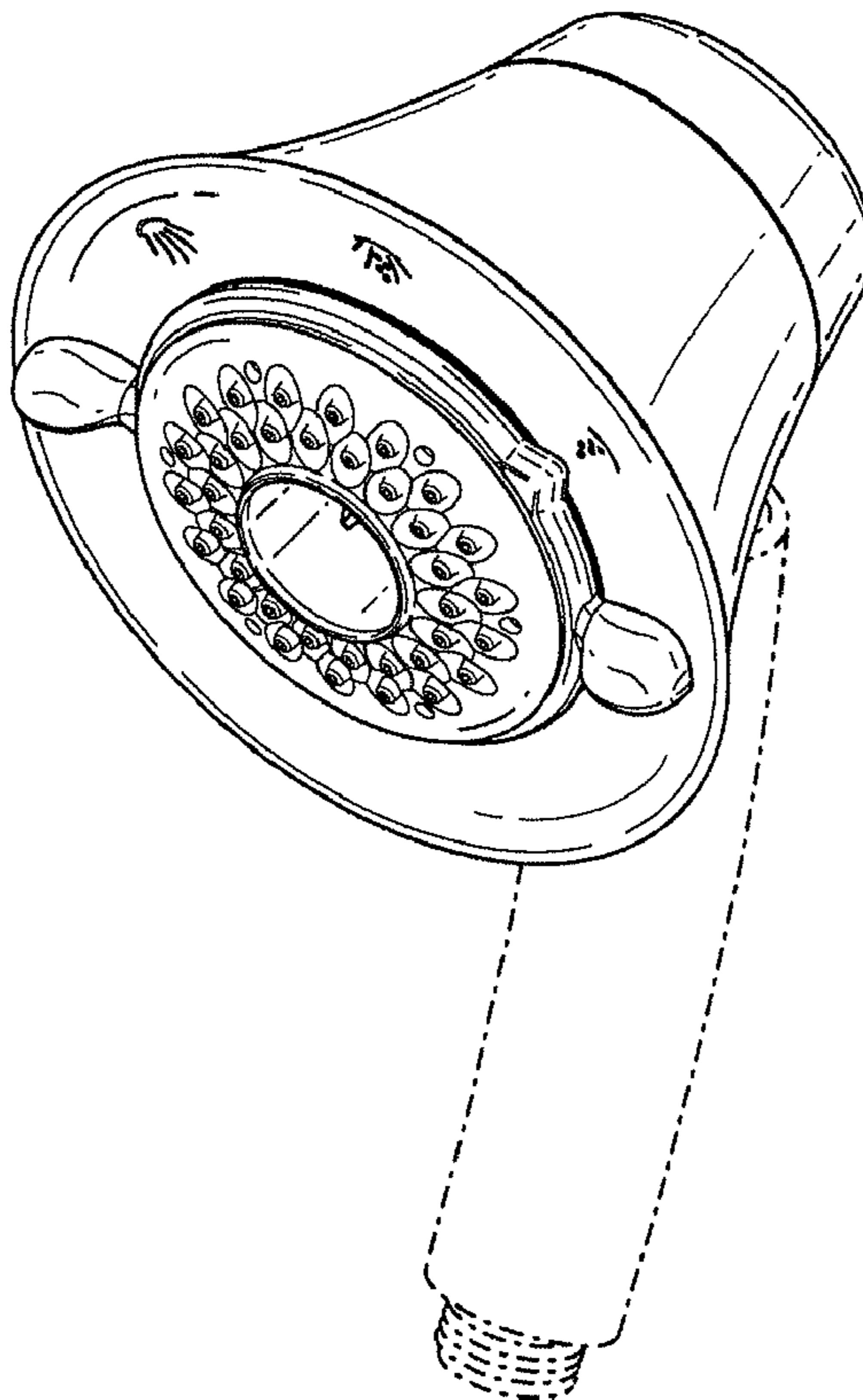
The ornamental design for a showerhead, as shown and described.

DESCRIPTION

FIG. 1 is a perspective view of a showerhead;
FIG. 2 is a front view of the showerhead of FIG. 1;
FIG. 3 is a right side view of the showerhead of FIG. 1;
FIG. 4 is a left side view of the showerhead of FIG. 1;
FIG. 5 is a top view of the showerhead of FIG. 1;
FIG. 6 is a bottom view of the showerhead of FIG. 1; and,
FIG. 7 is a rear view of the showerhead of FIG. 1.

The broken line showing in FIGS. 1–4 and 6–7 are included for the purpose of illustrating and forms no part of the claimed design.

1 Claim, 3 Drawing Sheets



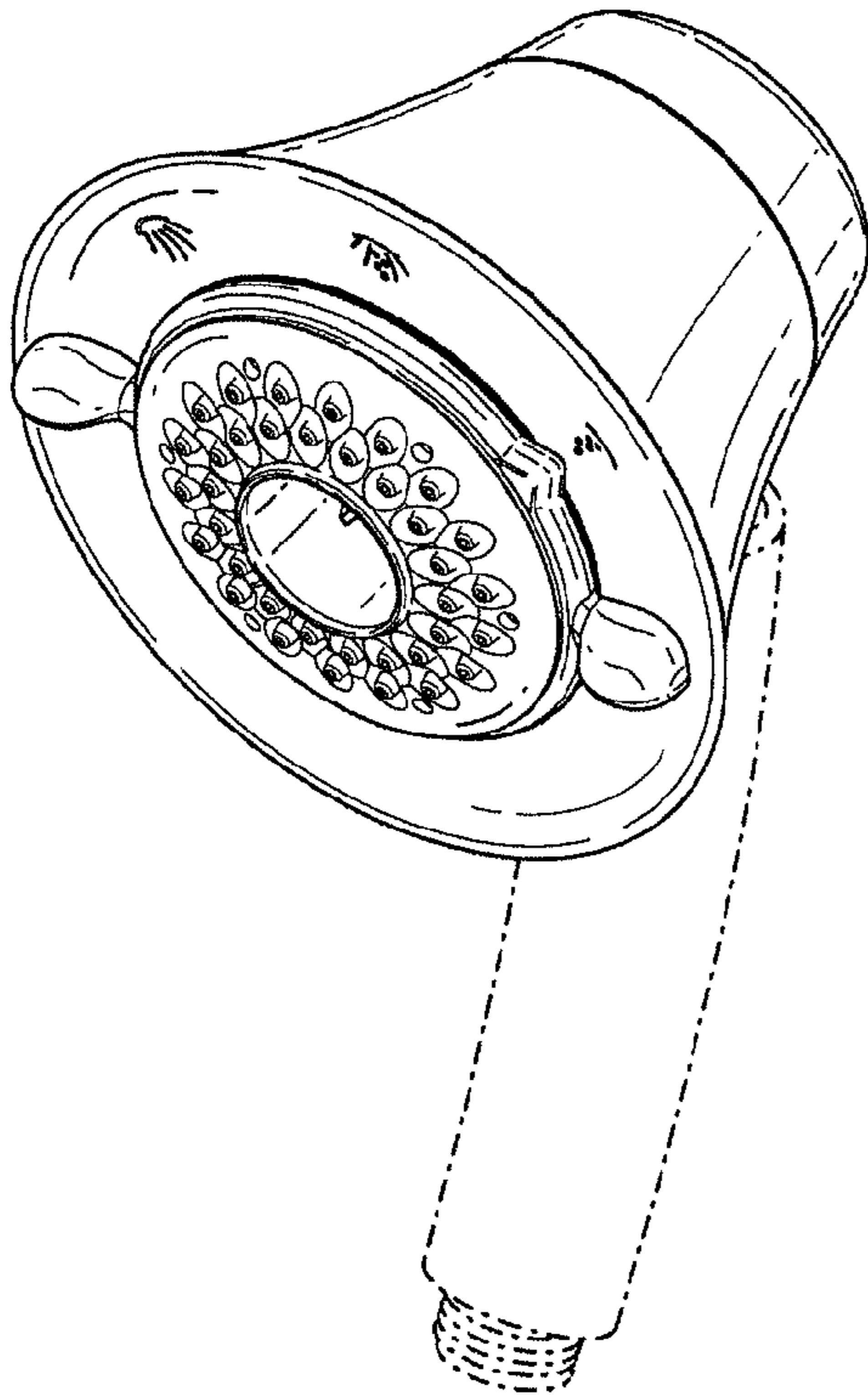


FIG. 1

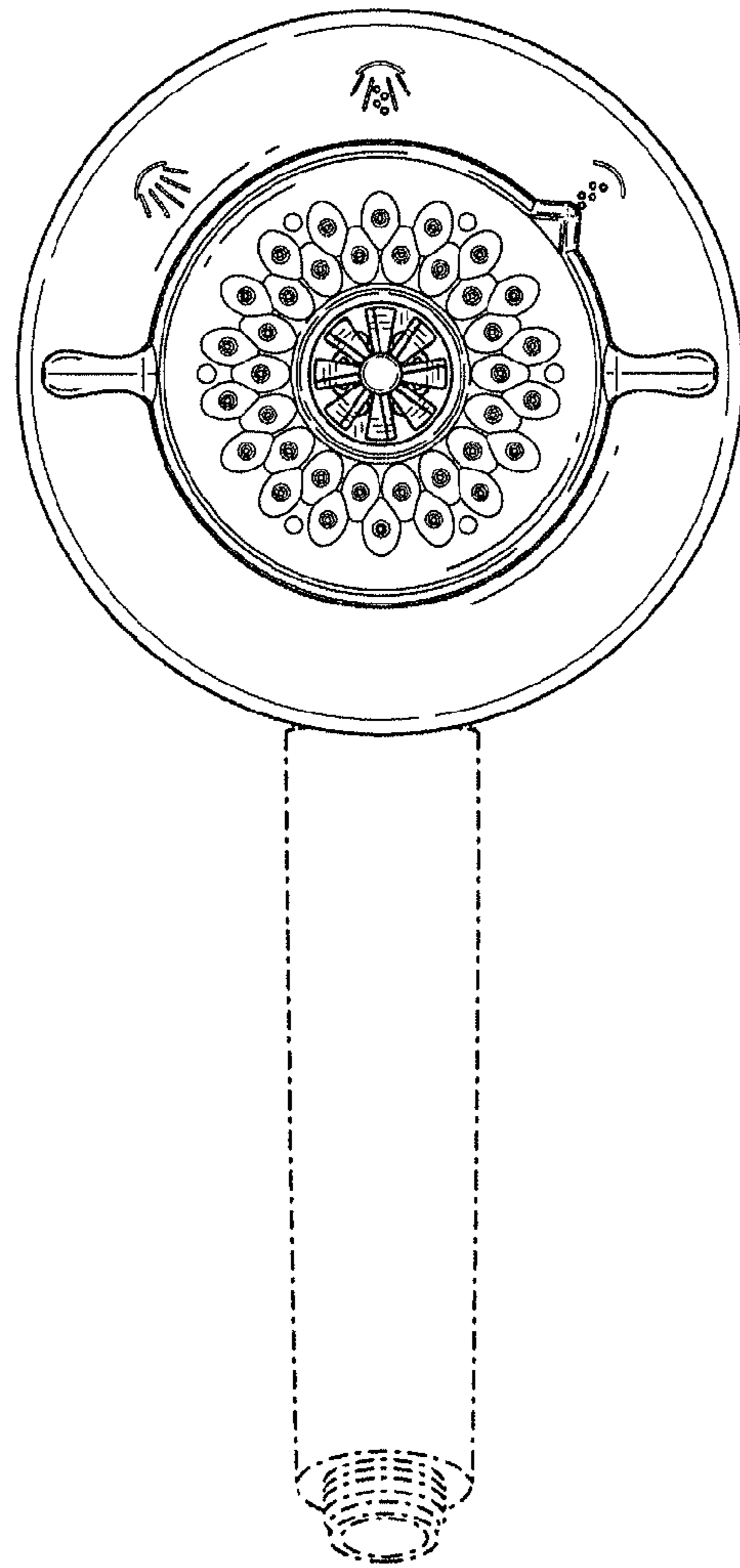


FIG. 2

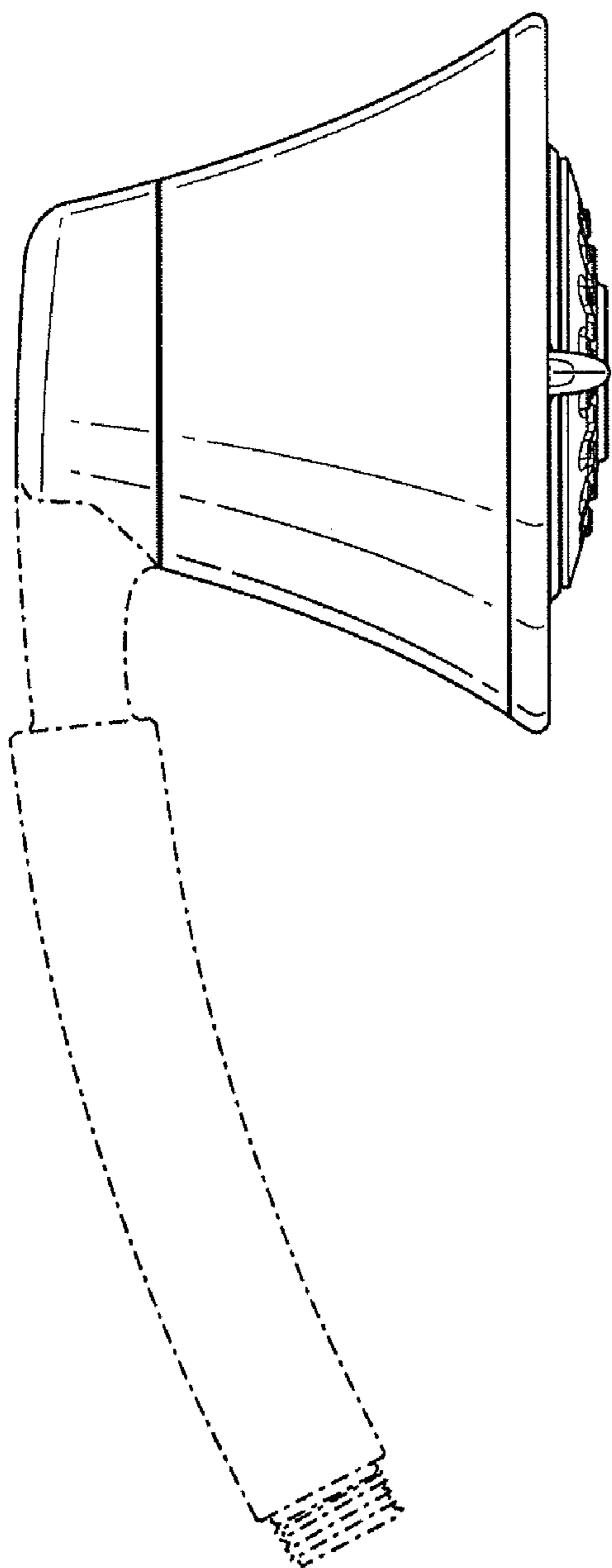


FIG. 3

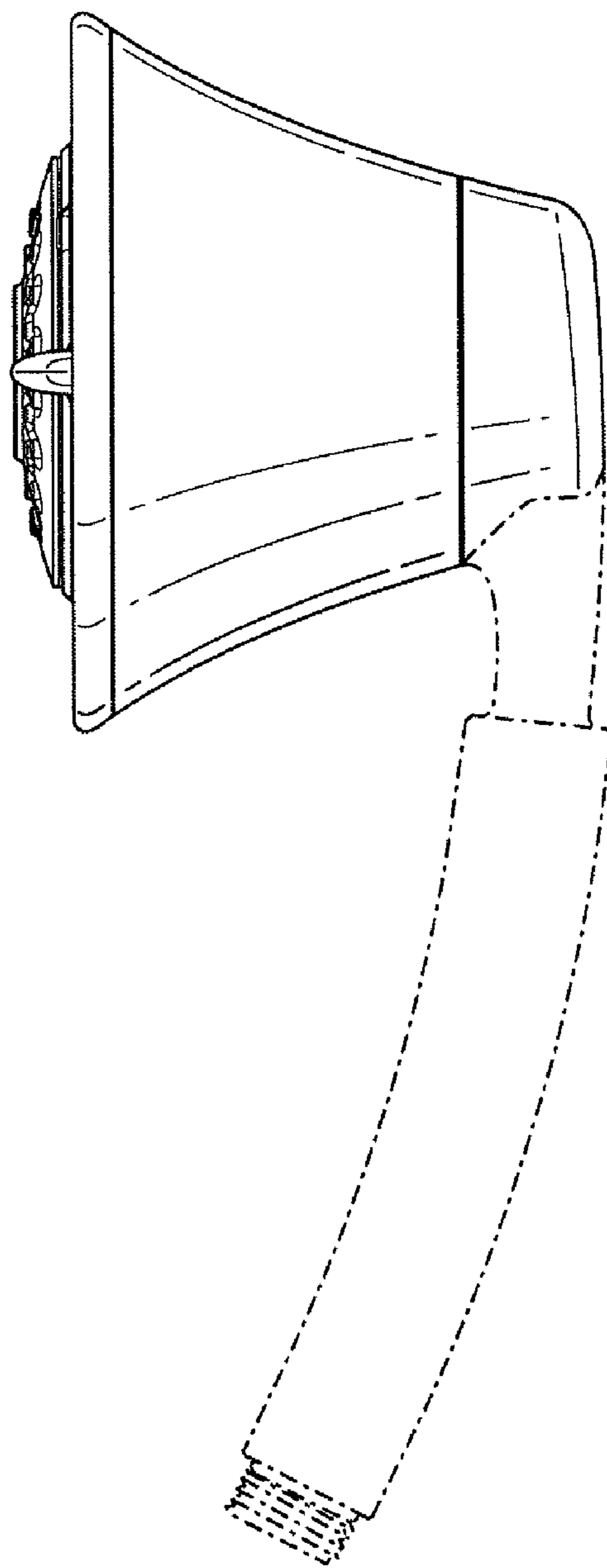


FIG. 4

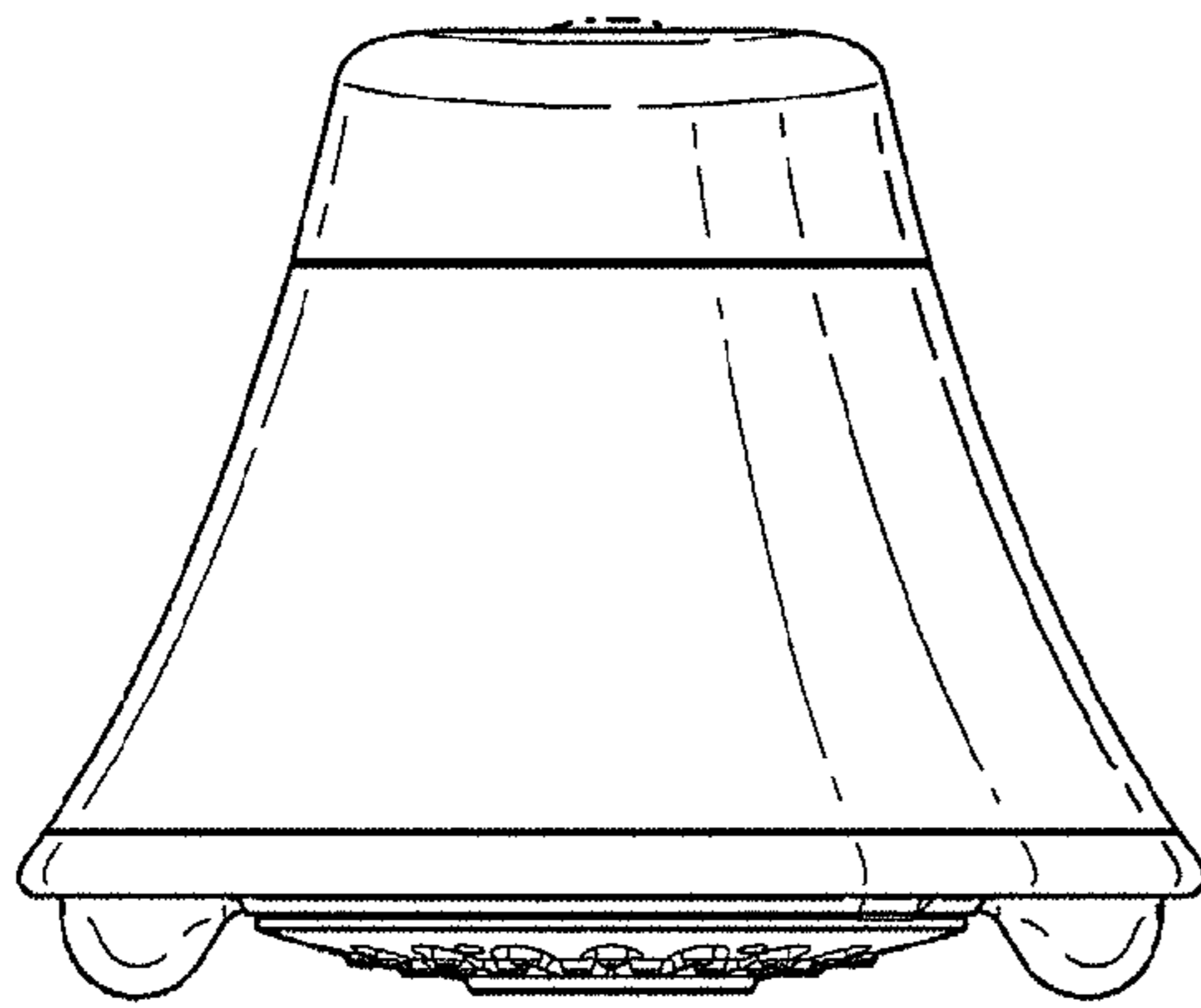


FIG. 5

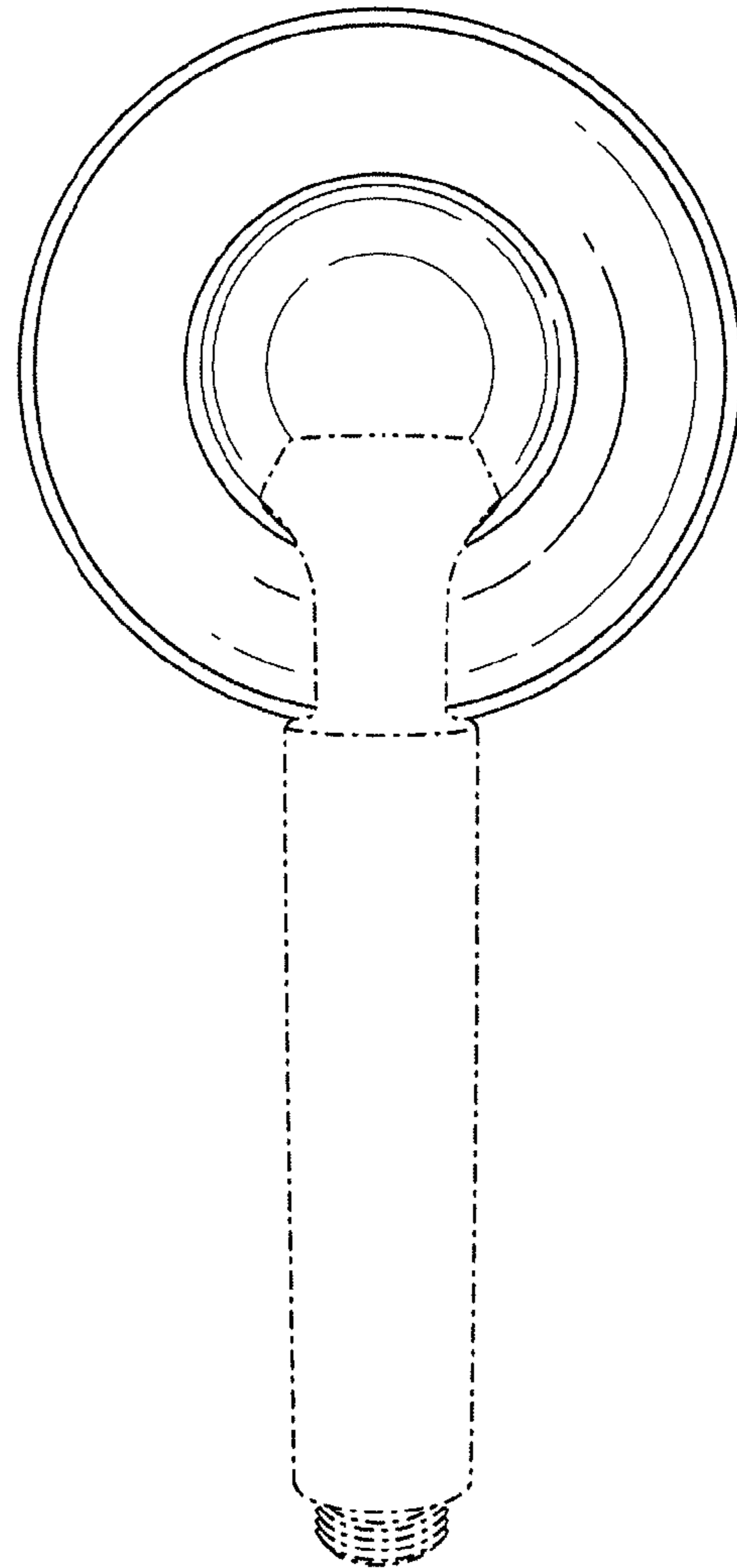


FIG. 7

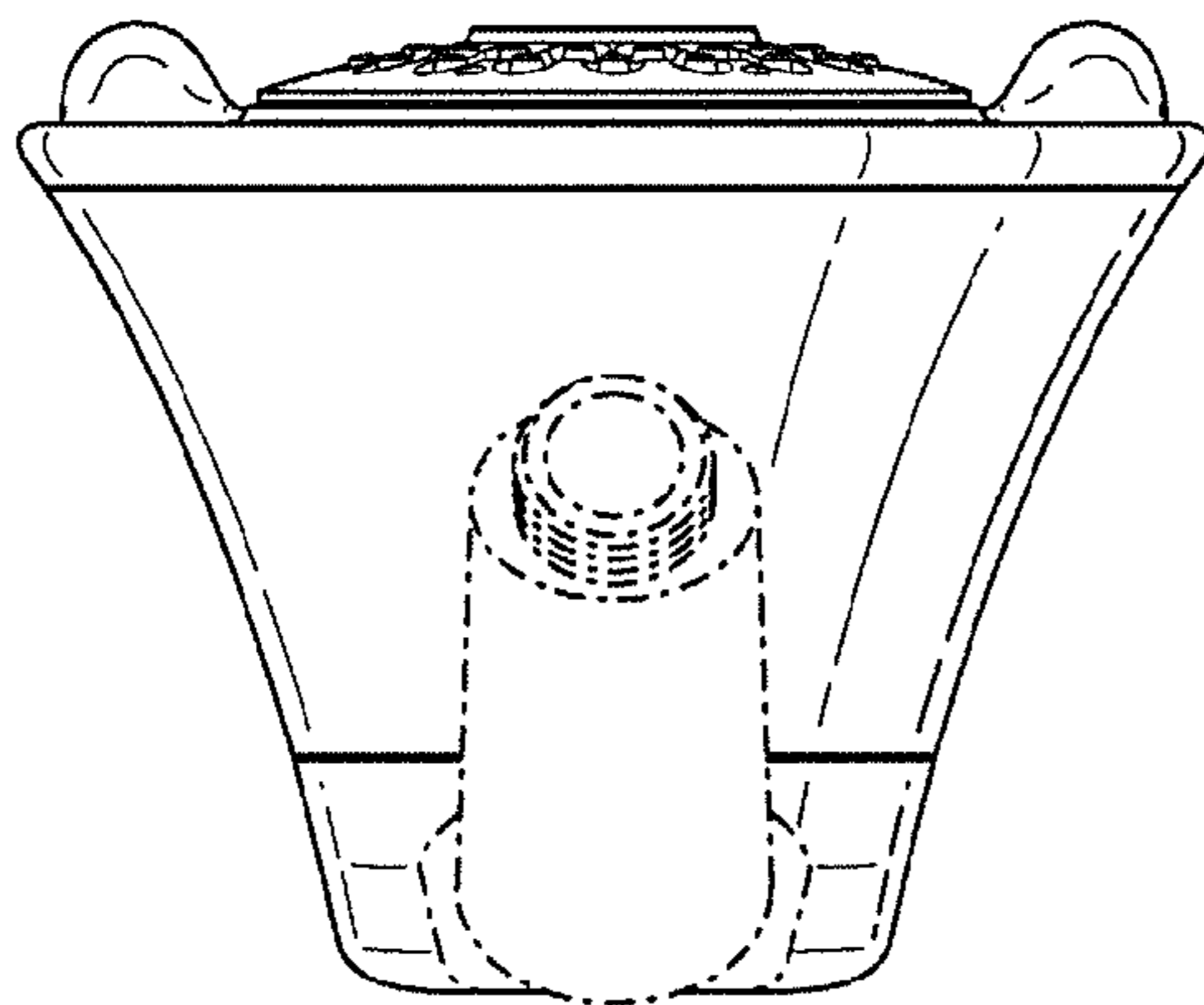


FIG. 6