



US00D620075S

(12) **United States Design Patent**  
**Yamaguchi et al.**

(10) **Patent No.:** **US D620,075 S**  
(45) **Date of Patent:** **\*\* Jul. 20, 2010**

(54) **FILTER CARTRIDGE**

(75) Inventors: **Chiseki Yamaguchi**, Saitama (JP);  
**Naoya Hamada**, Osaka (JP)

(73) Assignee: **U-TEC Corporation**, Nara (JP)

(\*\*) Term: **14 Years**

(21) Appl. No.: **29/313,732**

(22) Filed: **Feb. 5, 2009**

(30) **Foreign Application Priority Data**

Aug. 5, 2008 (JP) ..... D2008-020161

(51) **LOC (9) Cl.** ..... **23-01**

(52) **U.S. Cl.** ..... **D23/209; D24/162**

(58) **Field of Classification Search** ..... D23/207,  
D23/209; D24/162; 210/451, 453, 446,  
210/497.01

See application file for complete search history.

(56) **References Cited**

**U.S. PATENT DOCUMENTS**

D260,175 S \* 8/1981 Hein et al. .... D24/162  
D262,484 S \* 12/1981 Ward et al. .... D23/209  
4,601,820 A \* 7/1986 Leason ..... 210/94  
D358,213 S \* 5/1995 Sutton et al. .... D24/162  
D535,721 S \* 1/2007 Ford et al. .... D23/213  
D535,750 S \* 1/2007 Clawson ..... D24/162  
D555,226 S \* 11/2007 Leavitt et al. .... D23/209

**FOREIGN PATENT DOCUMENTS**

JP 11-271371 10/1999

**OTHER PUBLICATIONS**

Patent Abstracts of Japan, Publication No. 11-271371 dated Oct. 8, 1999, 1 page.

\* cited by examiner

*Primary Examiner*—Robin V Webster

(74) *Attorney, Agent, or Firm*—Osha • Liang LLP

(57) **CLAIM**

The ornamental design for a filter cartridge, as shown and described.

**DESCRIPTION**

FIG. 1 is a perspective view of a design for use as a filter cartridge.

FIG. 2 is a front view of the design according to the invention.

FIG. 3 is a rearview of the design according to the invention.

FIG. 4 is a left side view of the design according to the invention.

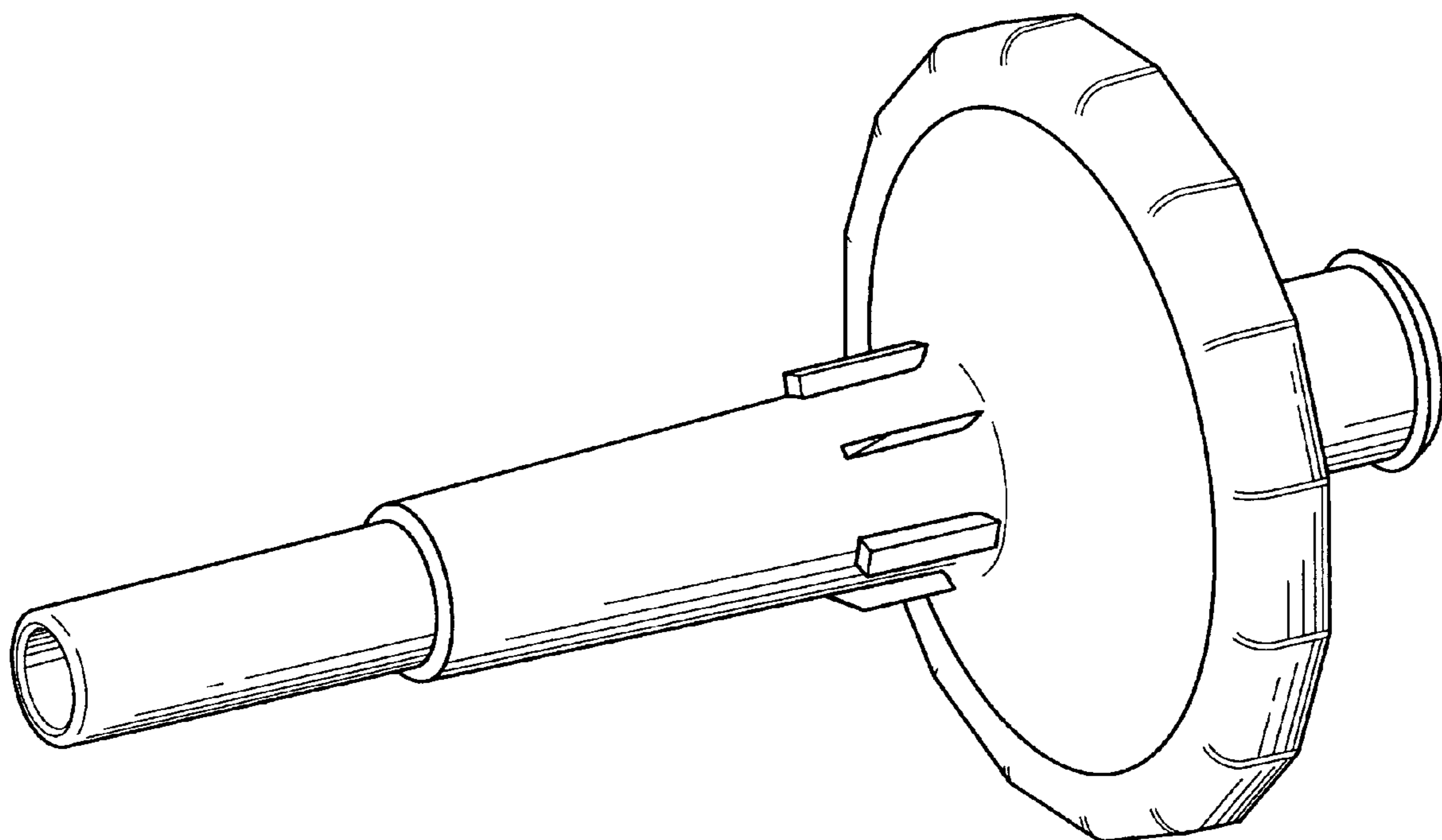
FIG. 5 is a right side view of the design according to the invention.

FIG. 6 is a top view of the design according to the invention; and,

FIG. 7 is a bottom view of the design according to the invention.

The elements shown in broken lines are for illustrative purposes only and form no part of the claimed invention.

**1 Claim, 7 Drawing Sheets**



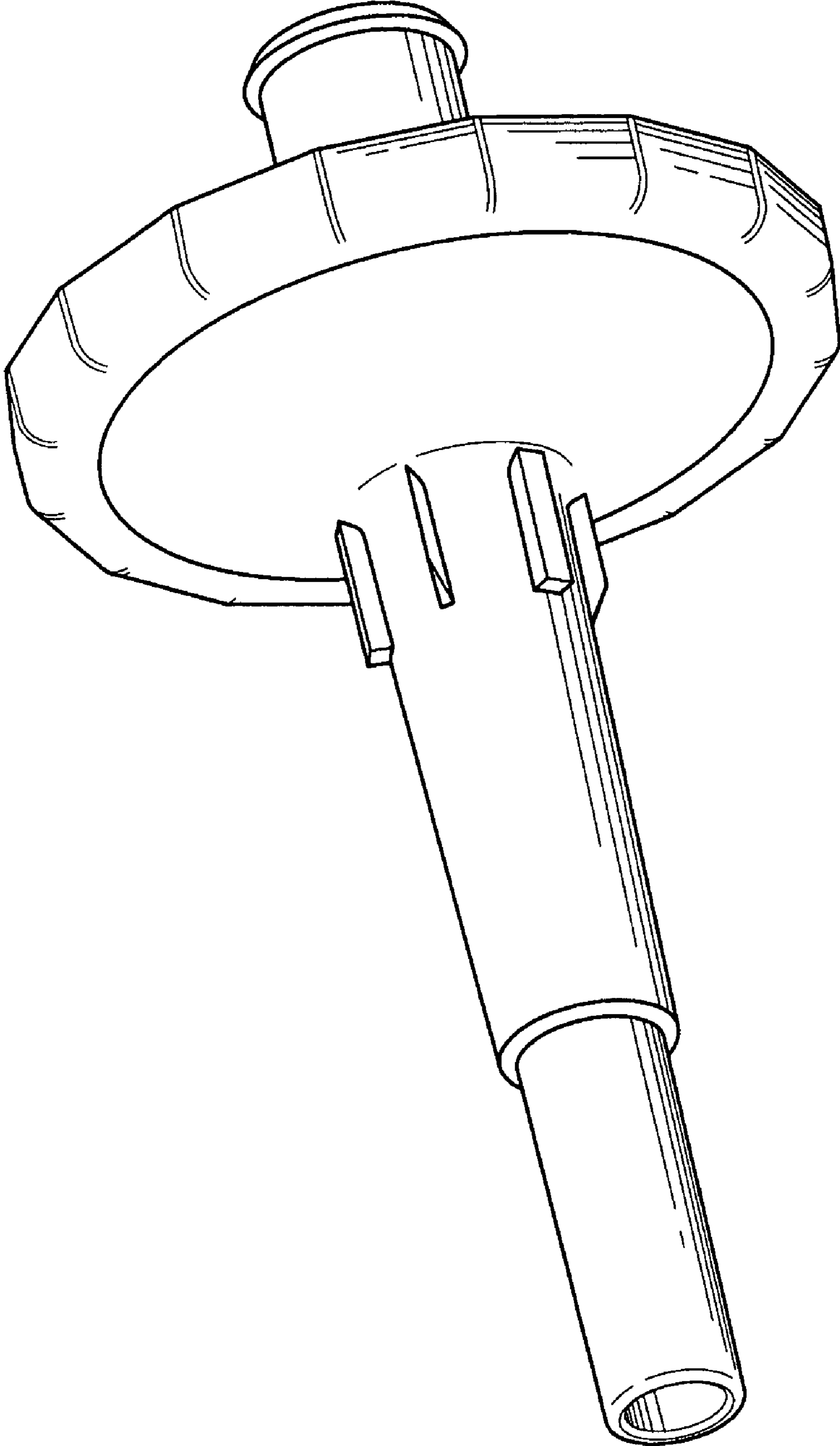


FIG. 1

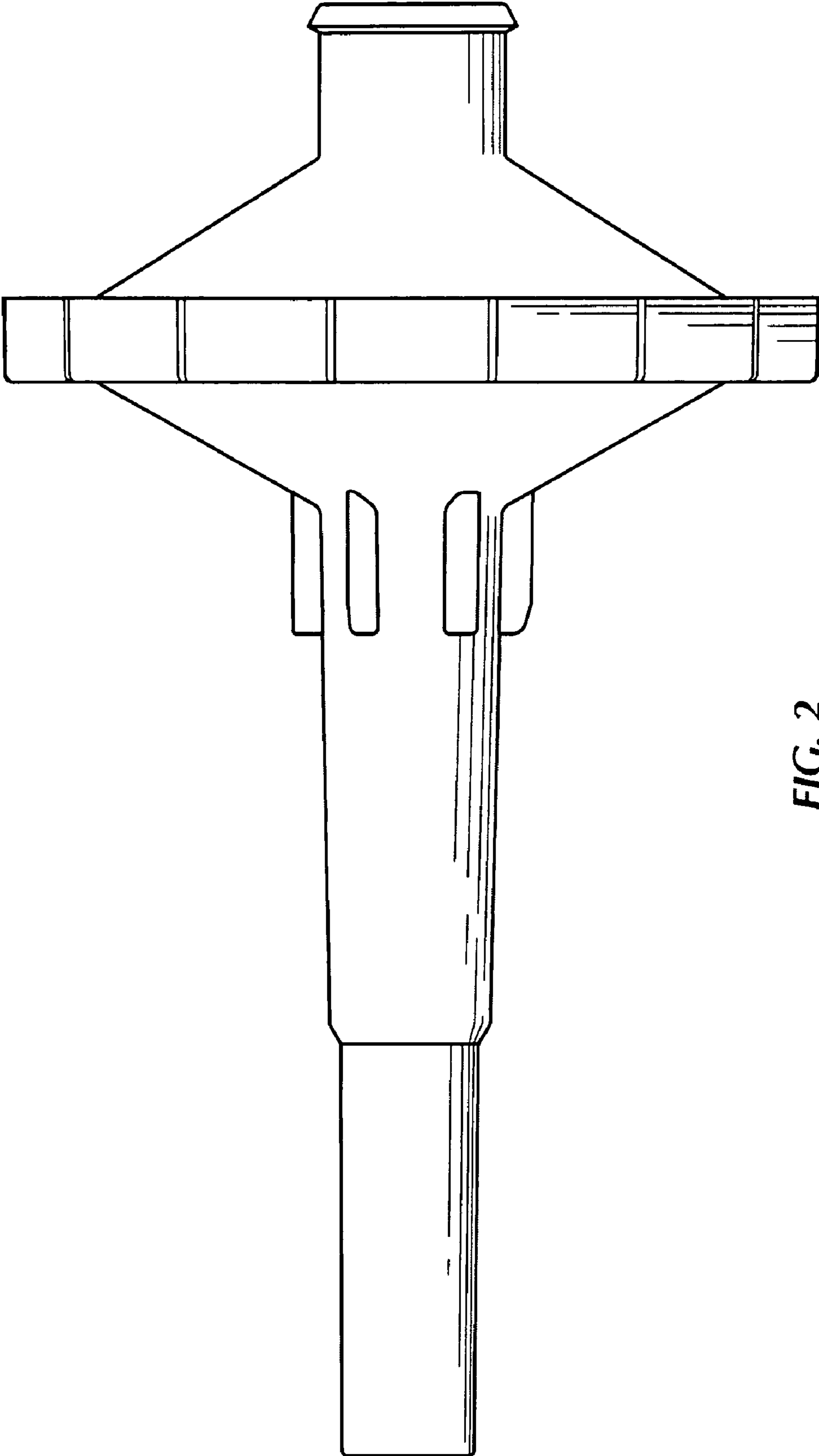


FIG. 2

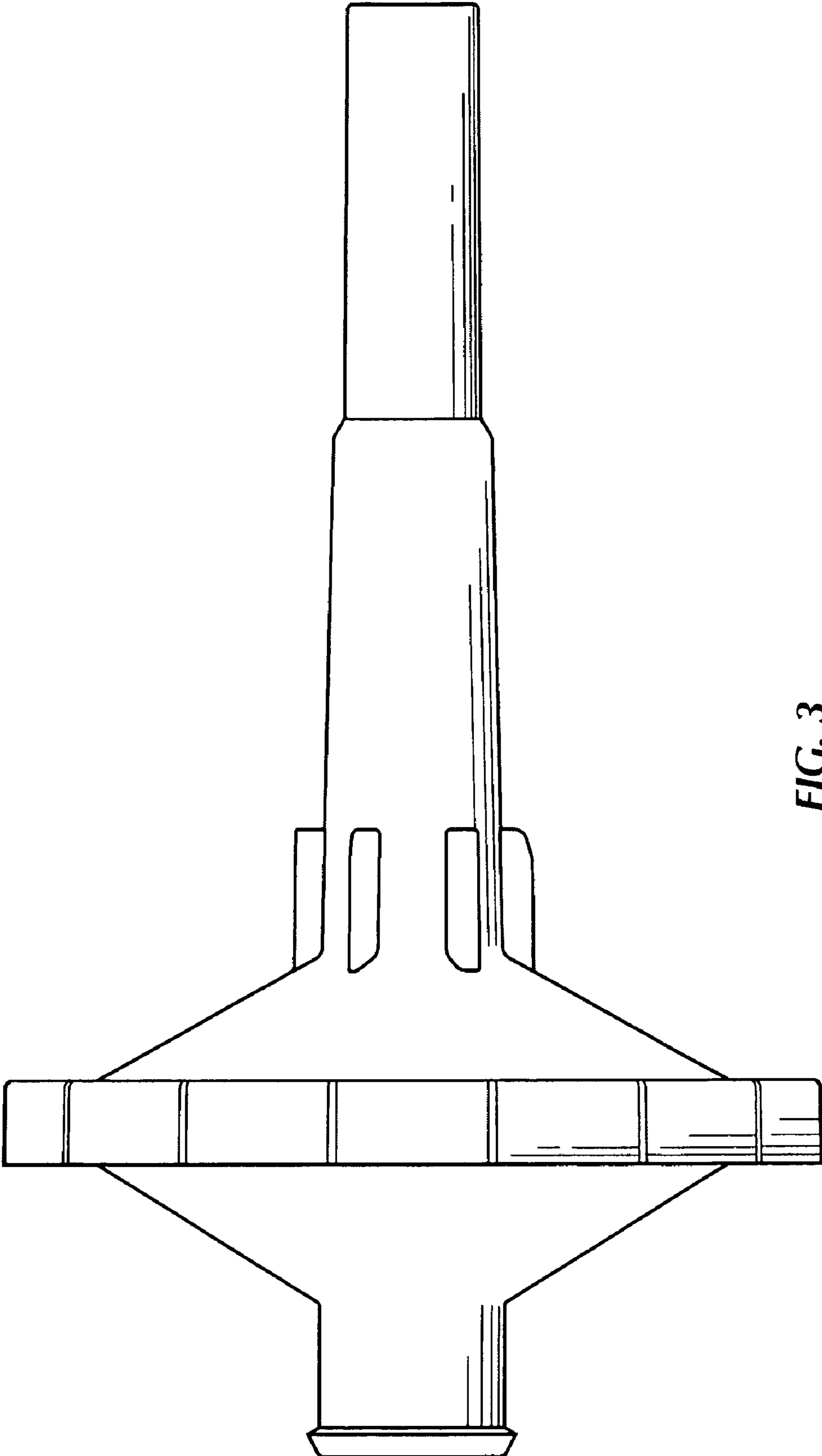


FIG. 3

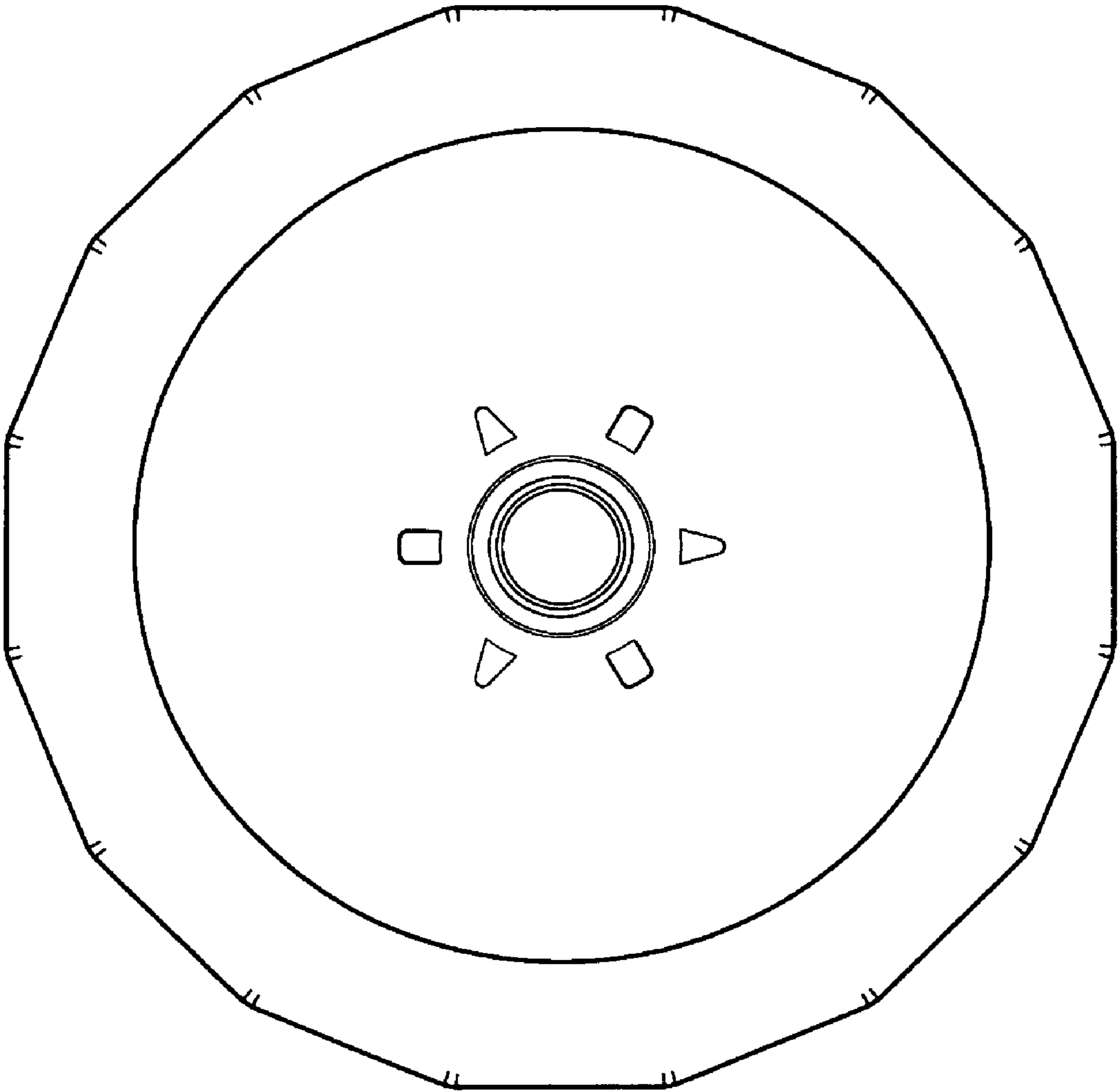


FIG. 4

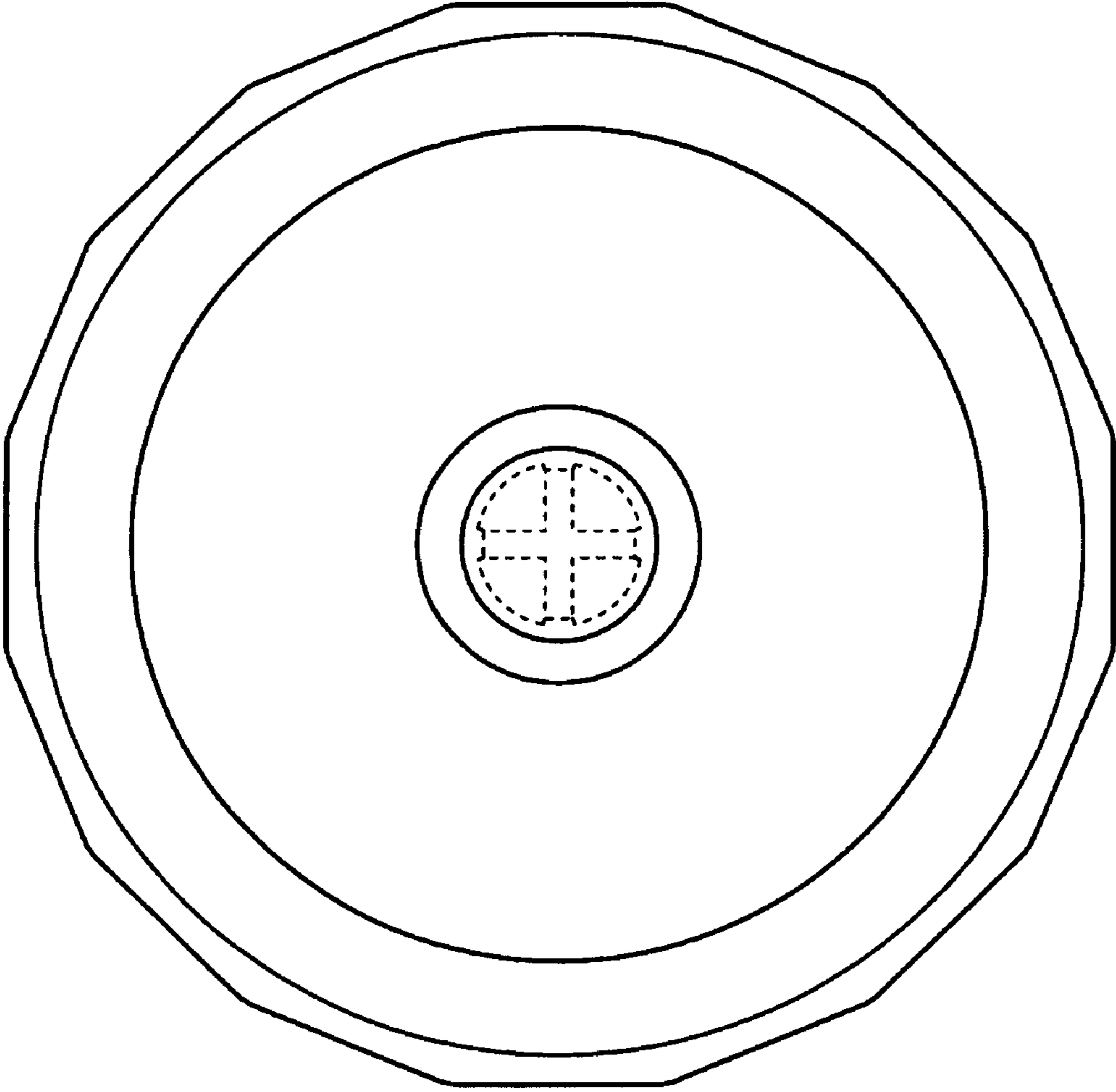


FIG. 5

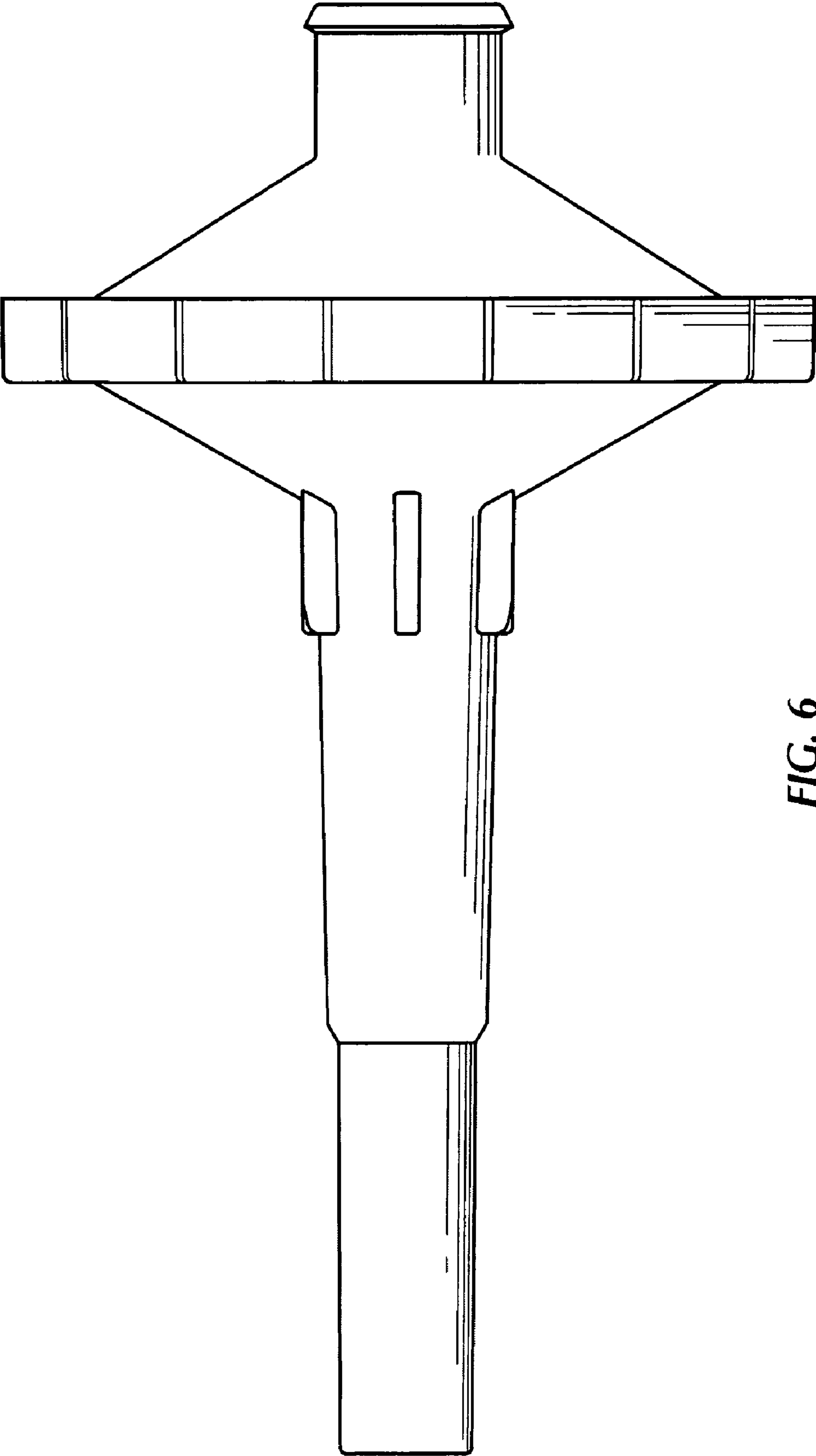


FIG. 6

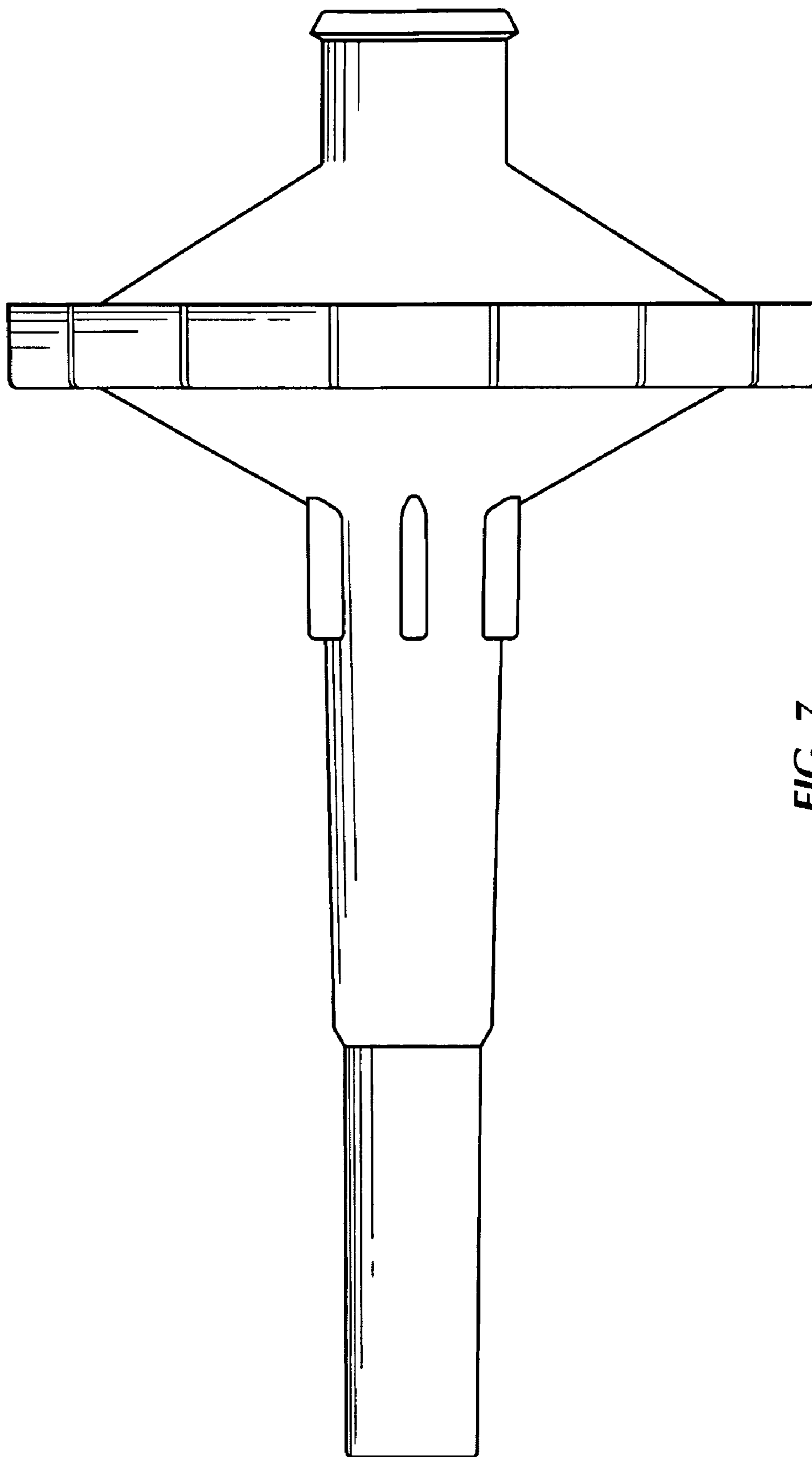


FIG. 7