



US00D620073S

(12) **United States Design Patent**
Tabuse et al.

(10) **Patent No.:** **US D620,073 S**
(45) **Date of Patent:** **** Jul. 20, 2010**

(54) **FISHING REEL**

(74) *Attorney, Agent, or Firm*—Global IP Counselors, LLP

(75) Inventors: **Jun Tabuse**, Osaka (JP); **Masakazu Iwabuchi**, Osaka (JP)

(57) **CLAIM**

The ornamental design for a fishing reel, as shown and described.

(73) Assignee: **Shimano Inc.**, Osaka (JP)

(**) Term: **14 Years**

DESCRIPTION

(21) Appl. No.: **29/353,349**

FIG. 1 is a first perspective view of a fishing reel in accordance with our new design;

(22) Filed: **Jan. 7, 2010**

FIG. 2 is a second perspective view of the fishing reel illustrated in FIG. 1;

(30) **Foreign Application Priority Data**

Jul. 14, 2009 (JP) 2009-015997

FIG. 3 is a first side elevational view of the fishing reel illustrated in FIG. 1;

(51) **LOC (9) Cl.** **22-05**

FIG. 4 is a second side elevational view of the fishing reel illustrated in FIG. 1;

(52) **U.S. Cl.** **D22/141**

(58) **Field of Classification Search** D22/141,
D22/137–140; 242/310–316, 223–224, 230,
242/283, 322, 242; 43/19–22

FIG. 5 is a top plan view of the fishing reel illustrated in FIG. 1;

See application file for complete search history.

FIG. 6 is a bottom plan view of the fishing reel illustrated in FIG. 1;

(56) **References Cited**

FIG. 7 is a first end elevational view of the fishing reel illustrated in FIG. 1;

U.S. PATENT DOCUMENTS

FIG. 8 is a second end elevational view of the fishing reel illustrated in FIG. 1;

D294,621 S	3/1988	Myojo	
D294,622 S	3/1988	Myojo	
D300,237 S	3/1989	Myojo	
D329,907 S	9/1992	Yui	
D561,871 S *	2/2008	Iwabuchi	D22/141
D574,461 S *	8/2008	Nago	D22/141
7,413,138 B2 *	8/2008	Kitajima et al.	242/311
D579,513 S *	10/2008	Iwabuchi	D22/141
D593,638 S *	6/2009	Nago	D22/141

FIG. 9 is another perspective view of the fishing reel illustrated in FIG. 1, but with an operating part being moved to an alternate position;

FOREIGN PATENT DOCUMENTS

JP D1078382 7/2000

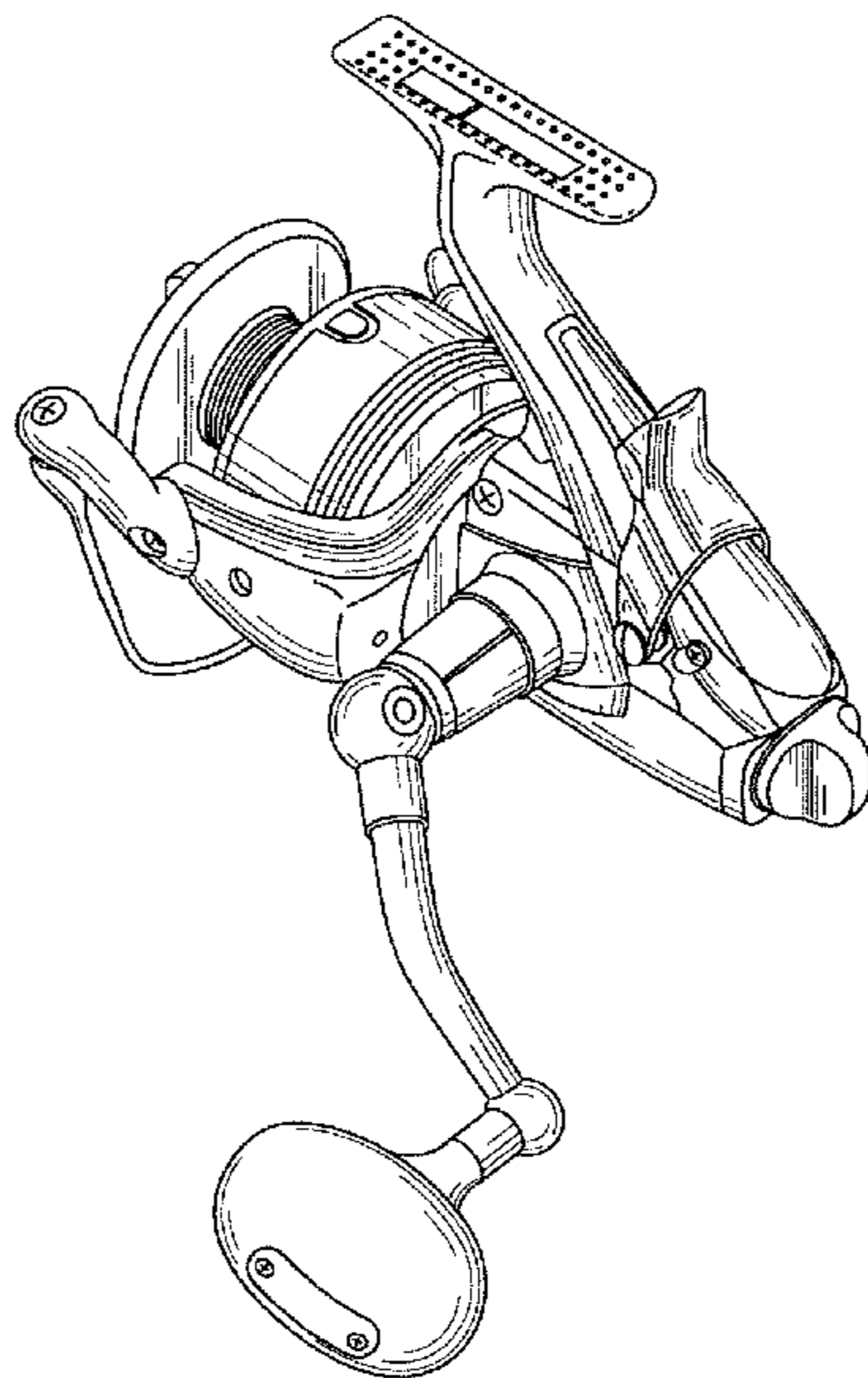
FIG. 10 is still yet another perspective view of the fishing reel illustrated in FIG. 1, but with the operating part being moved to the alternate position as illustrated in FIG. 9; and,

* cited by examiner

FIG. 11 is a side elevational view, similar to FIG. 3, of the fishing reel illustrated in FIG. 1, but with the operating part being moved to the alternate position as illustrated in FIGS. 9 and 10.

Primary Examiner—Catherine R Oliver

1 Claim, 6 Drawing Sheets



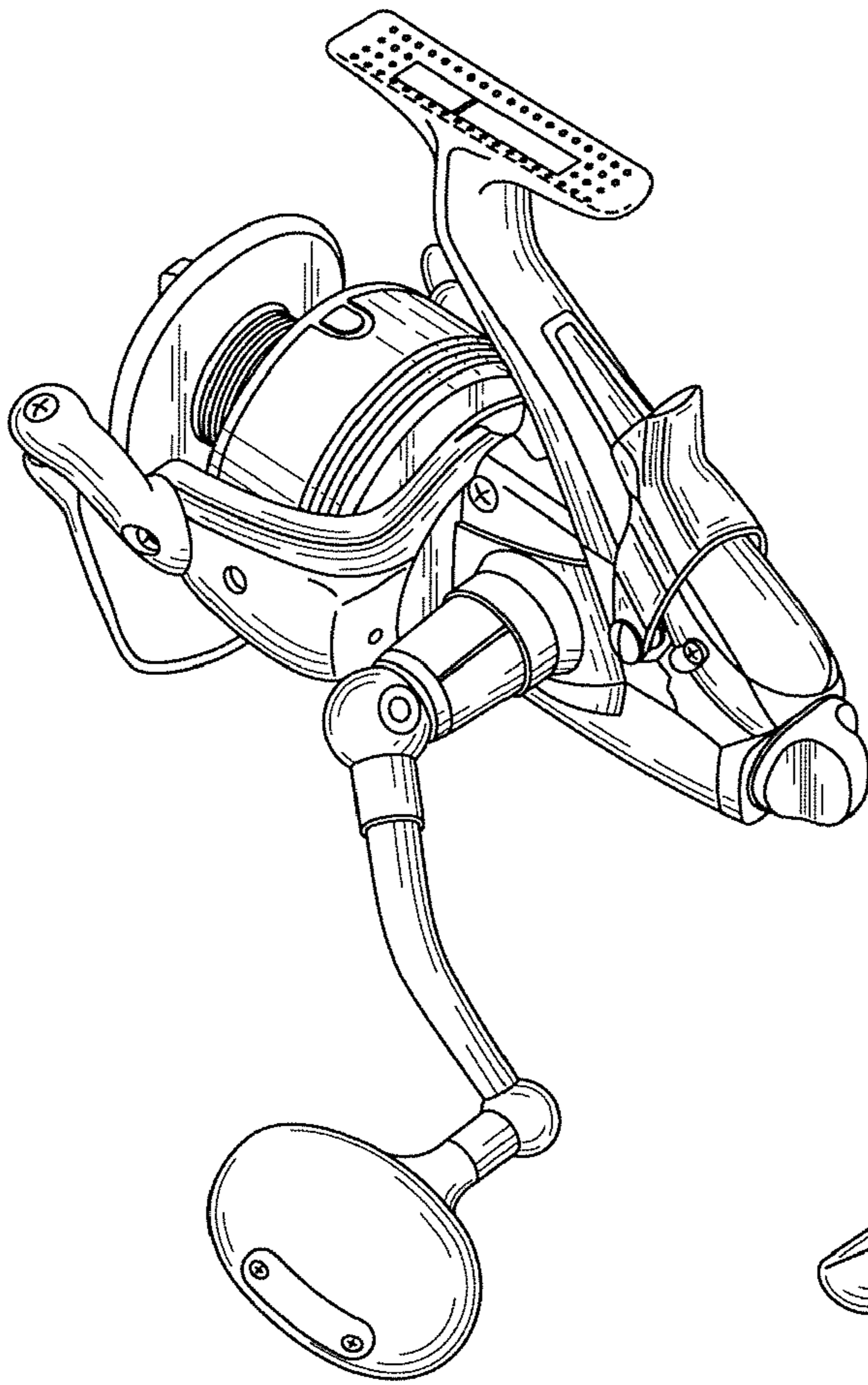


FIG. 1

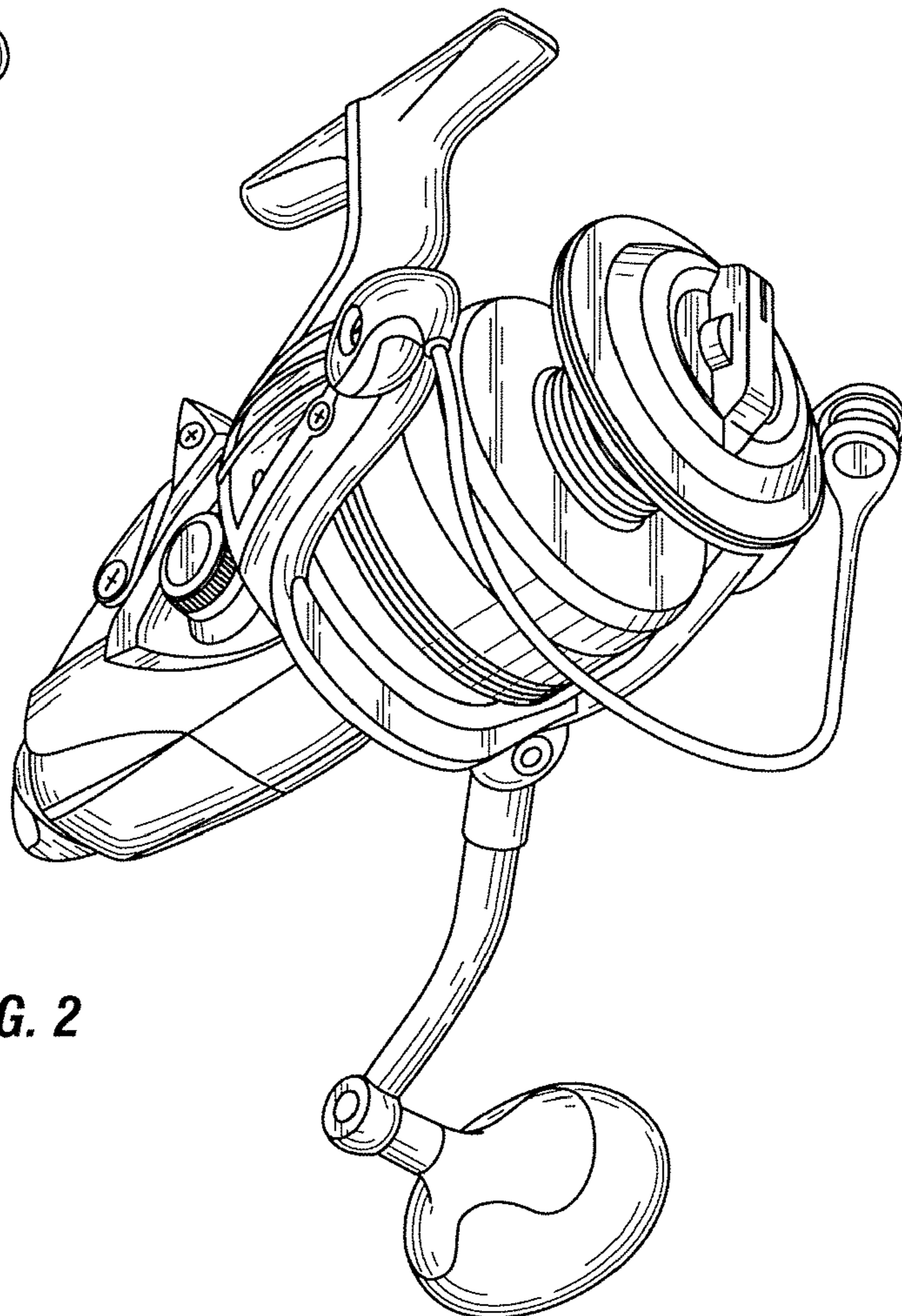


FIG. 2

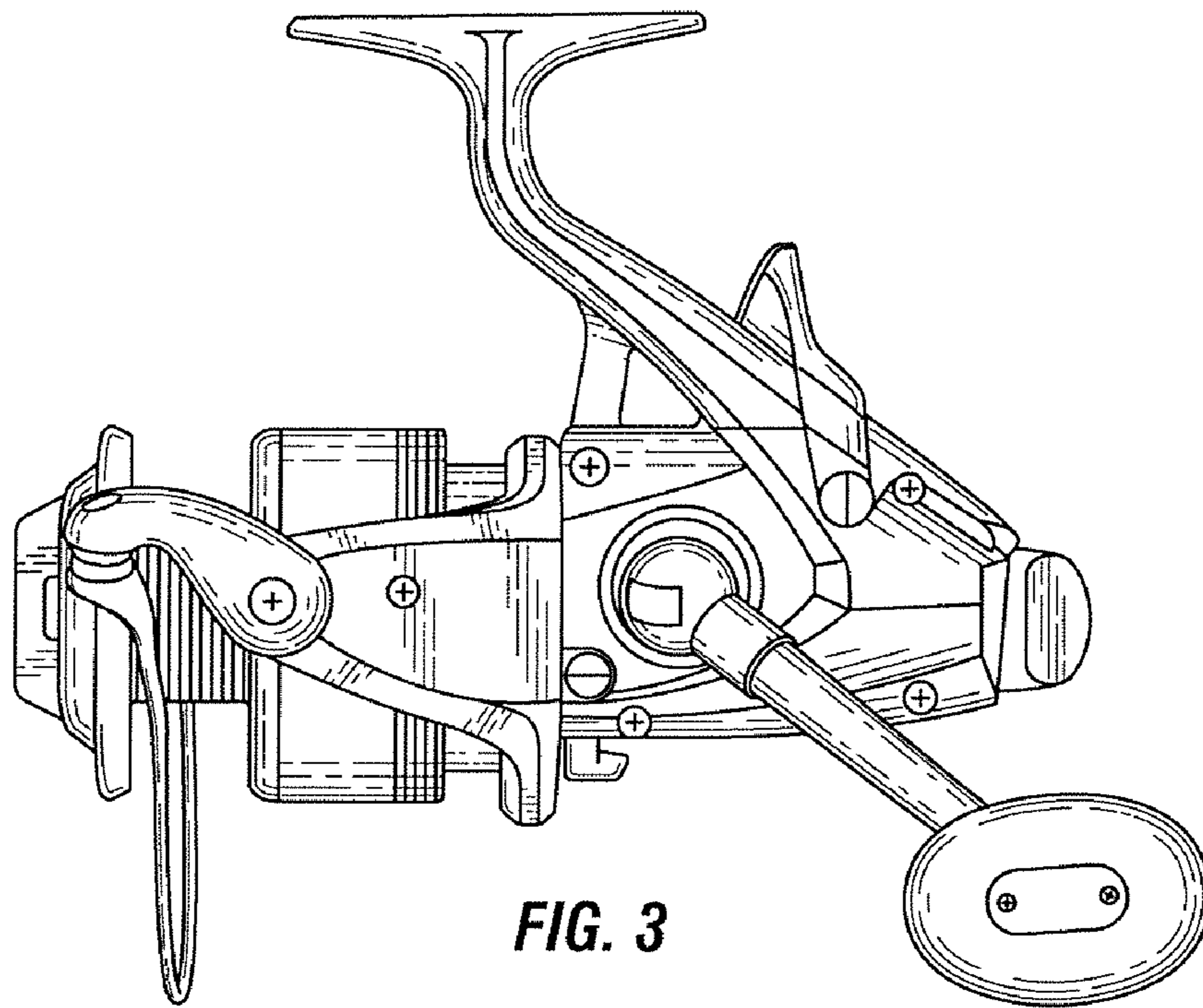


FIG. 3

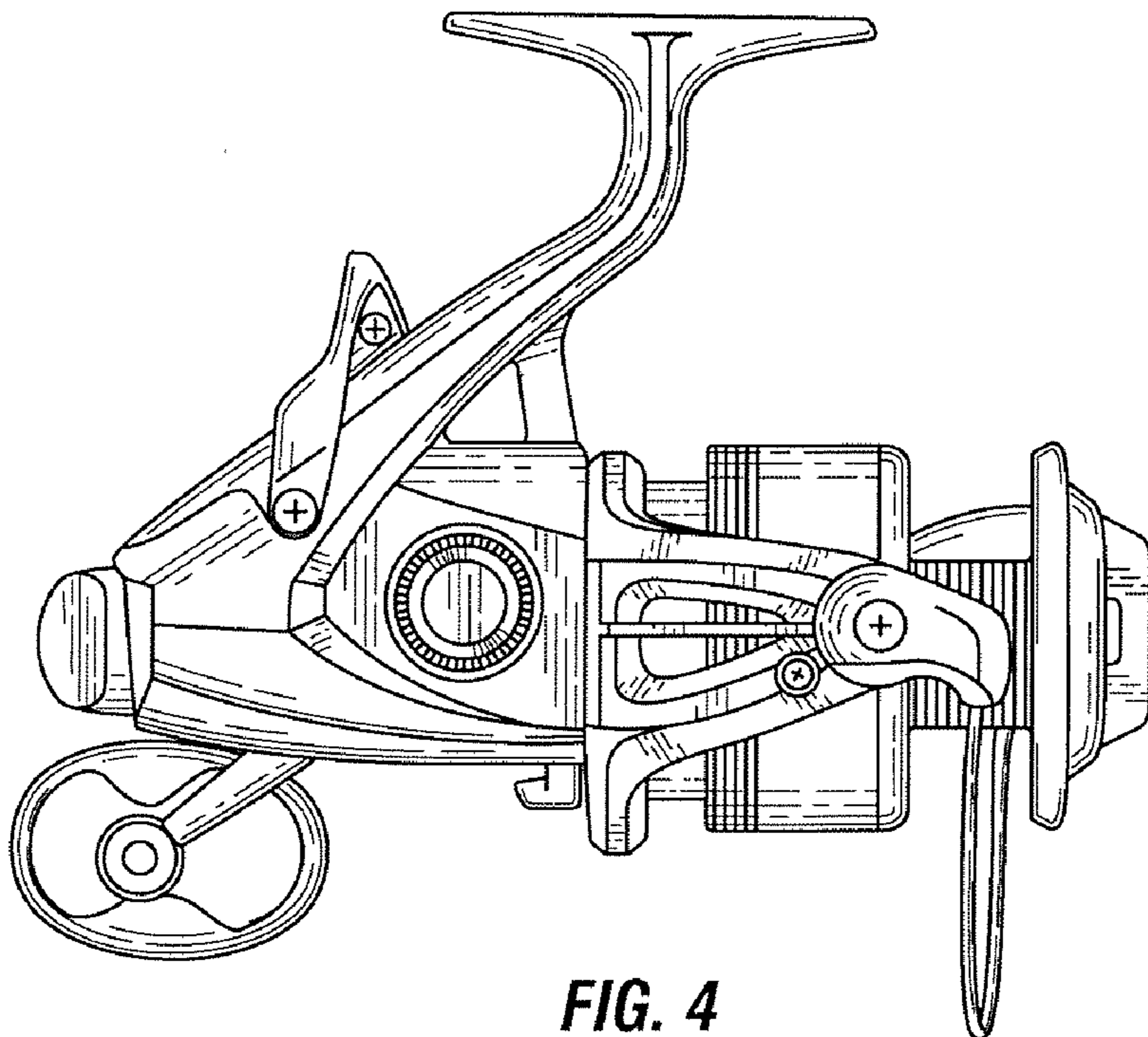


FIG. 4

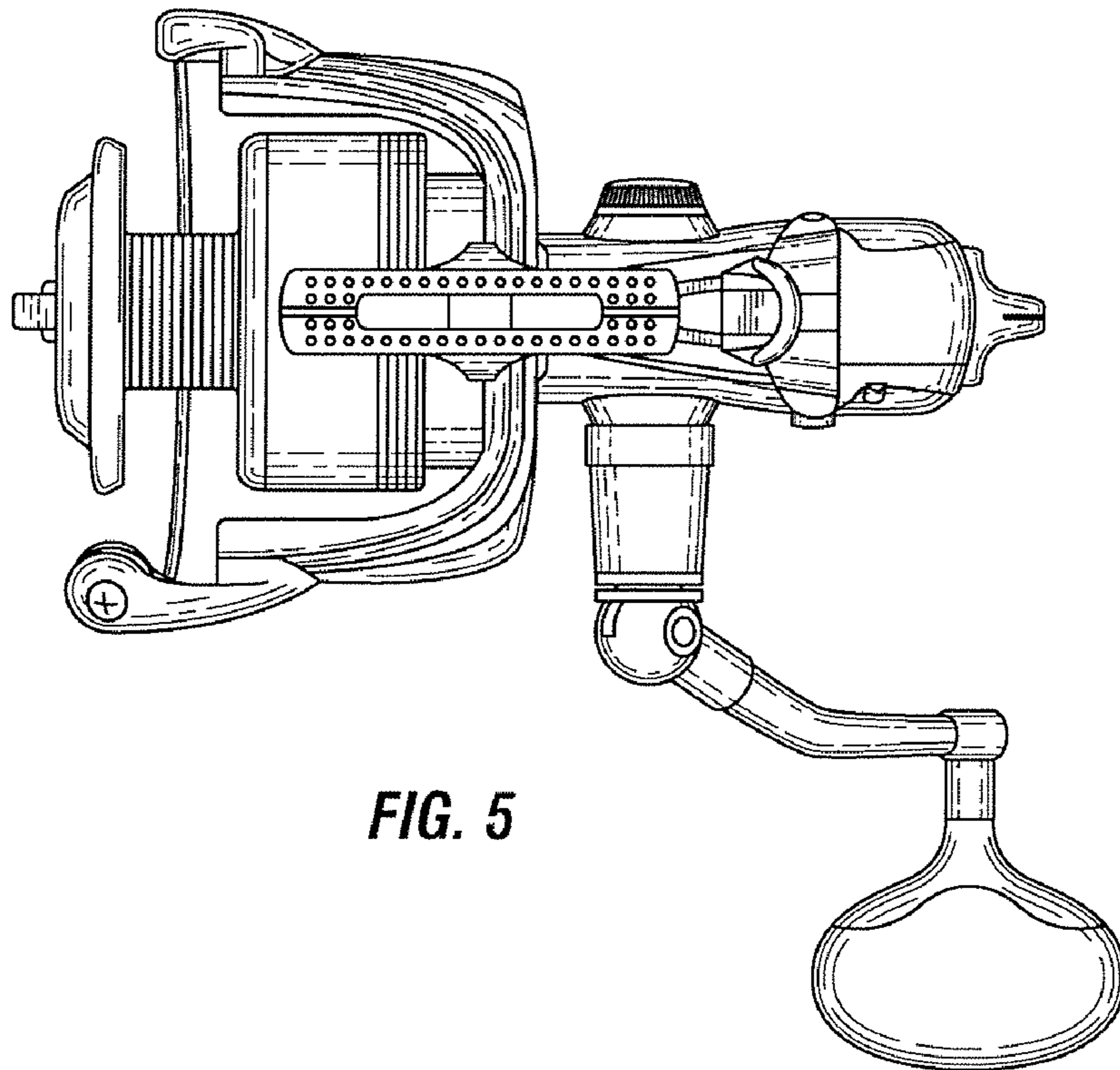


FIG. 5

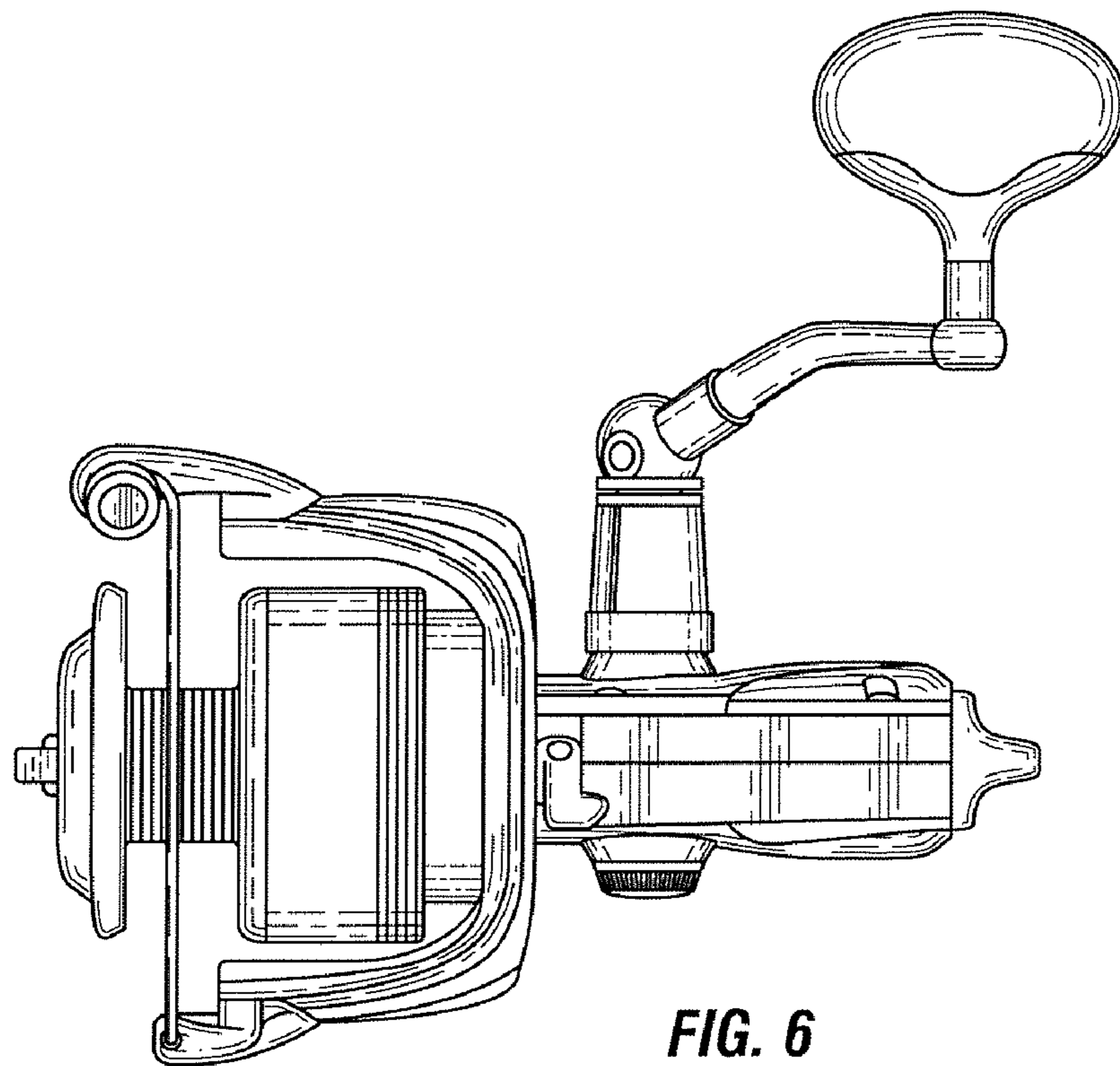


FIG. 6

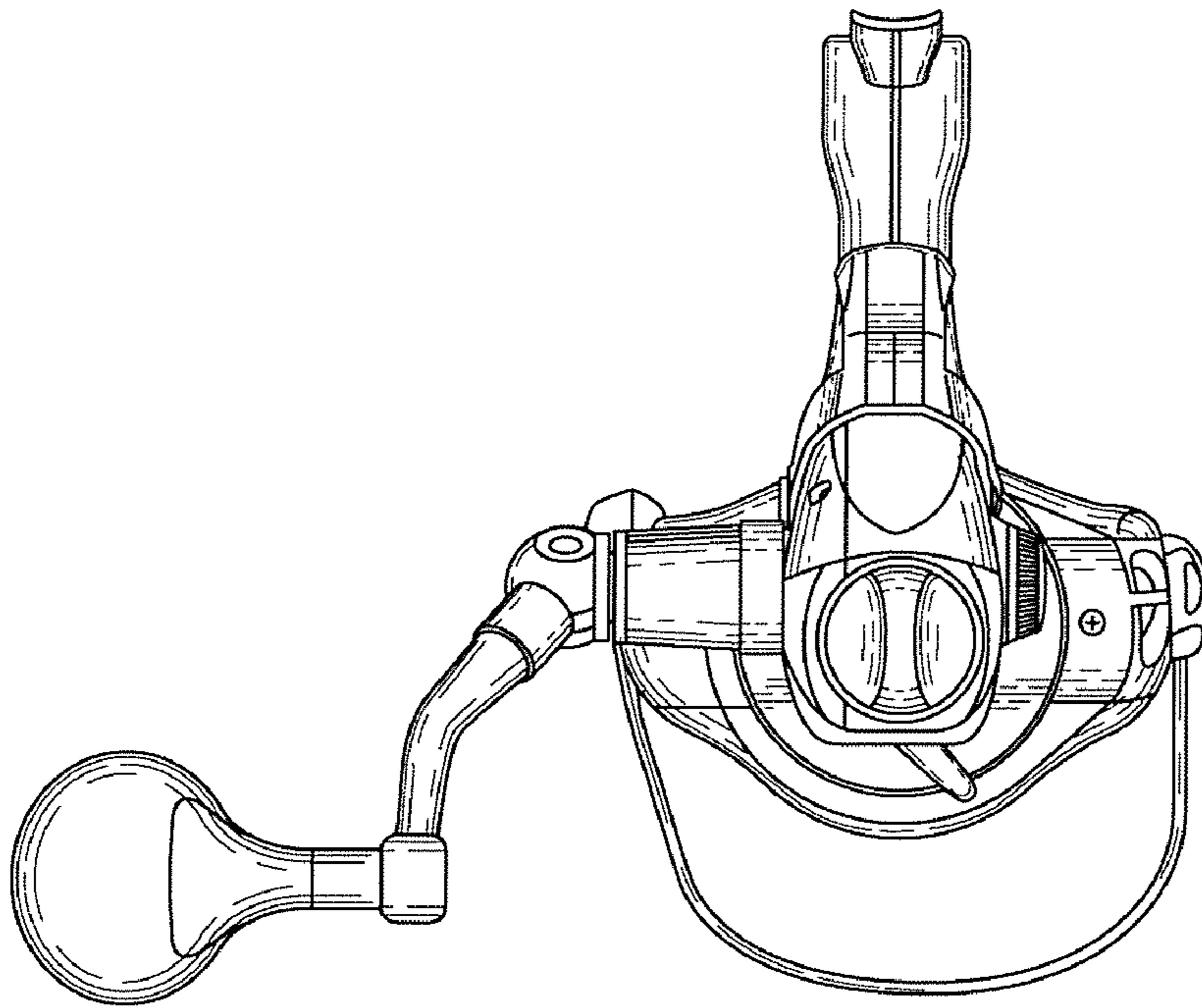


FIG. 7

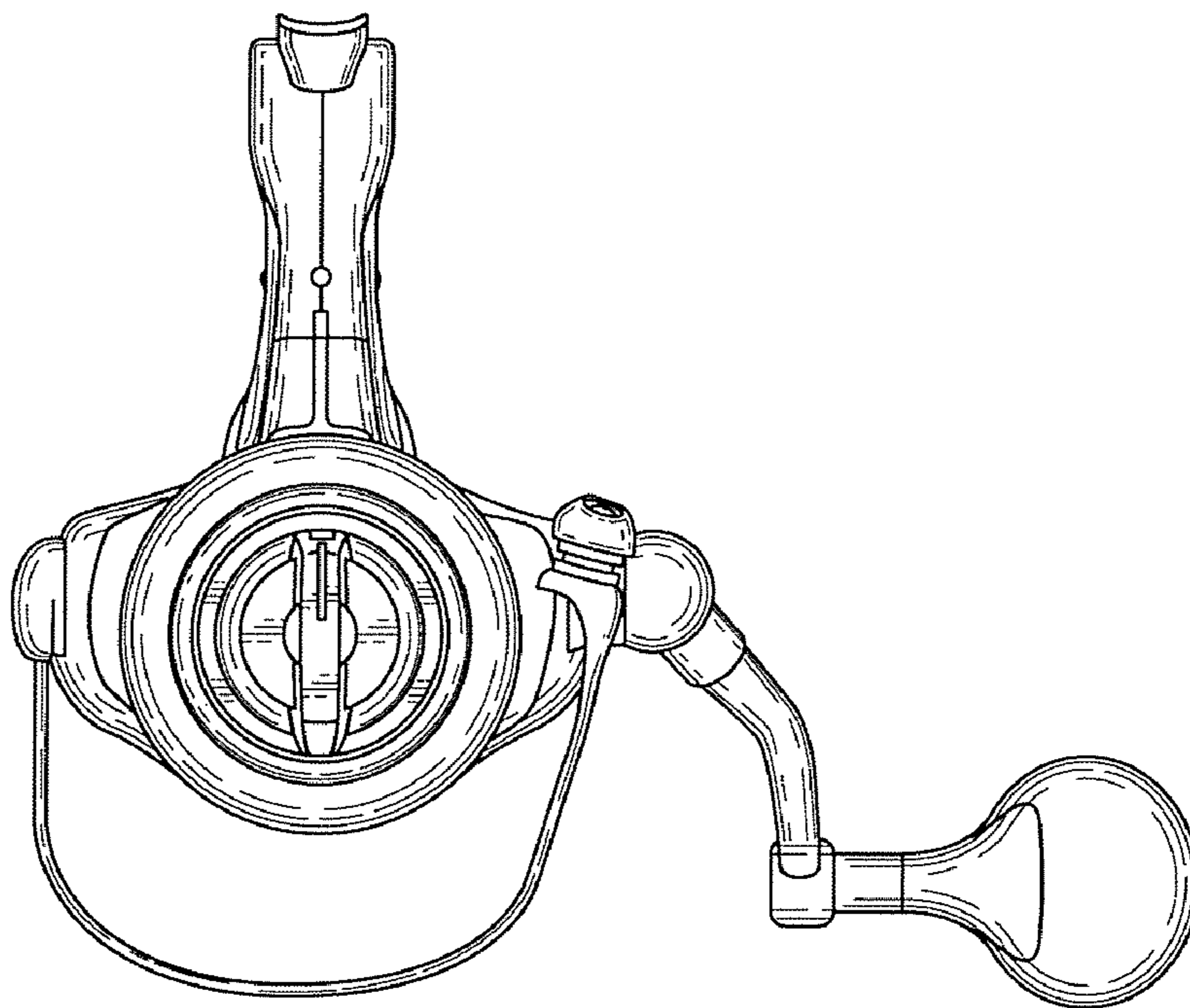


FIG. 8

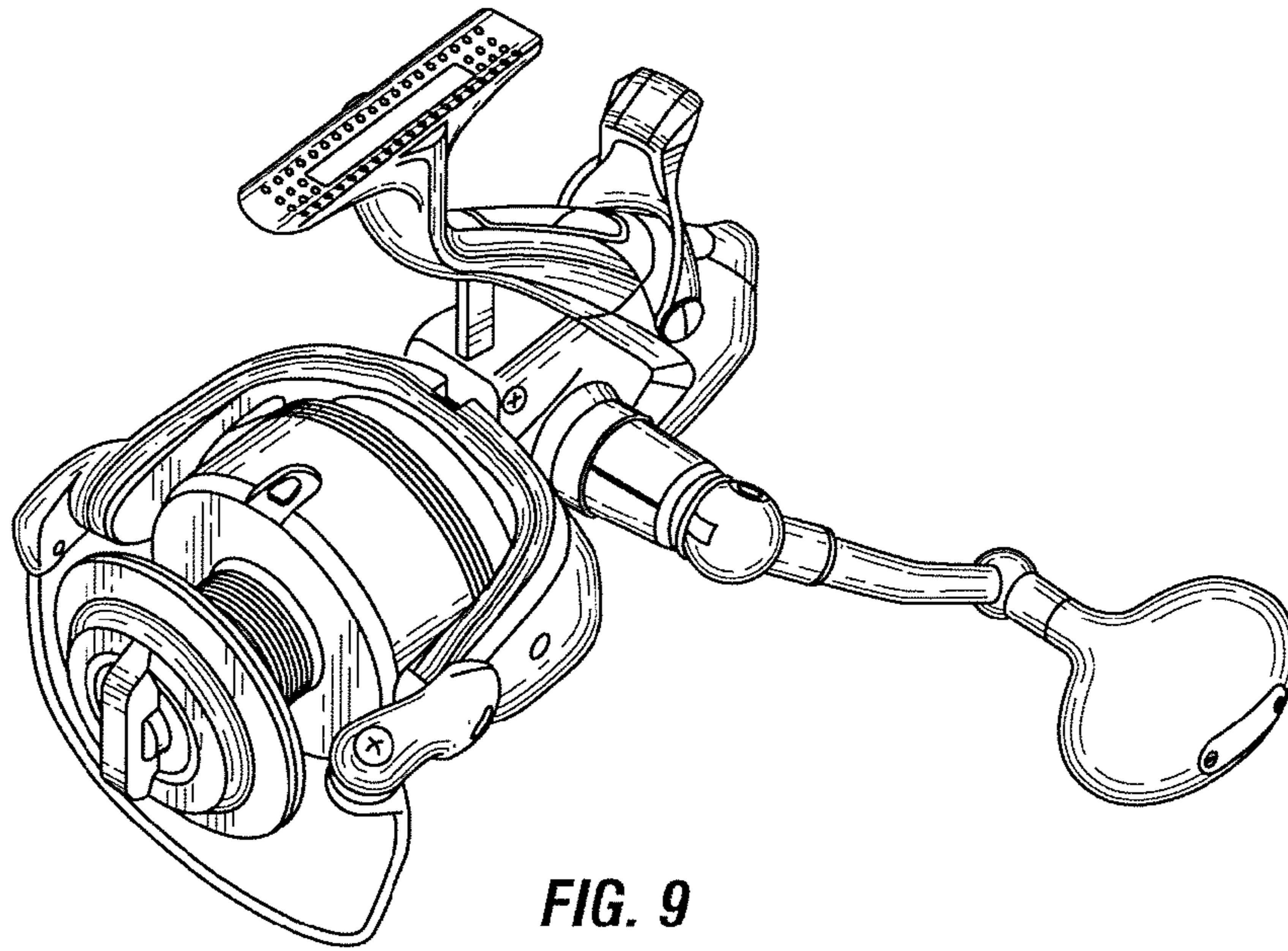


FIG. 9

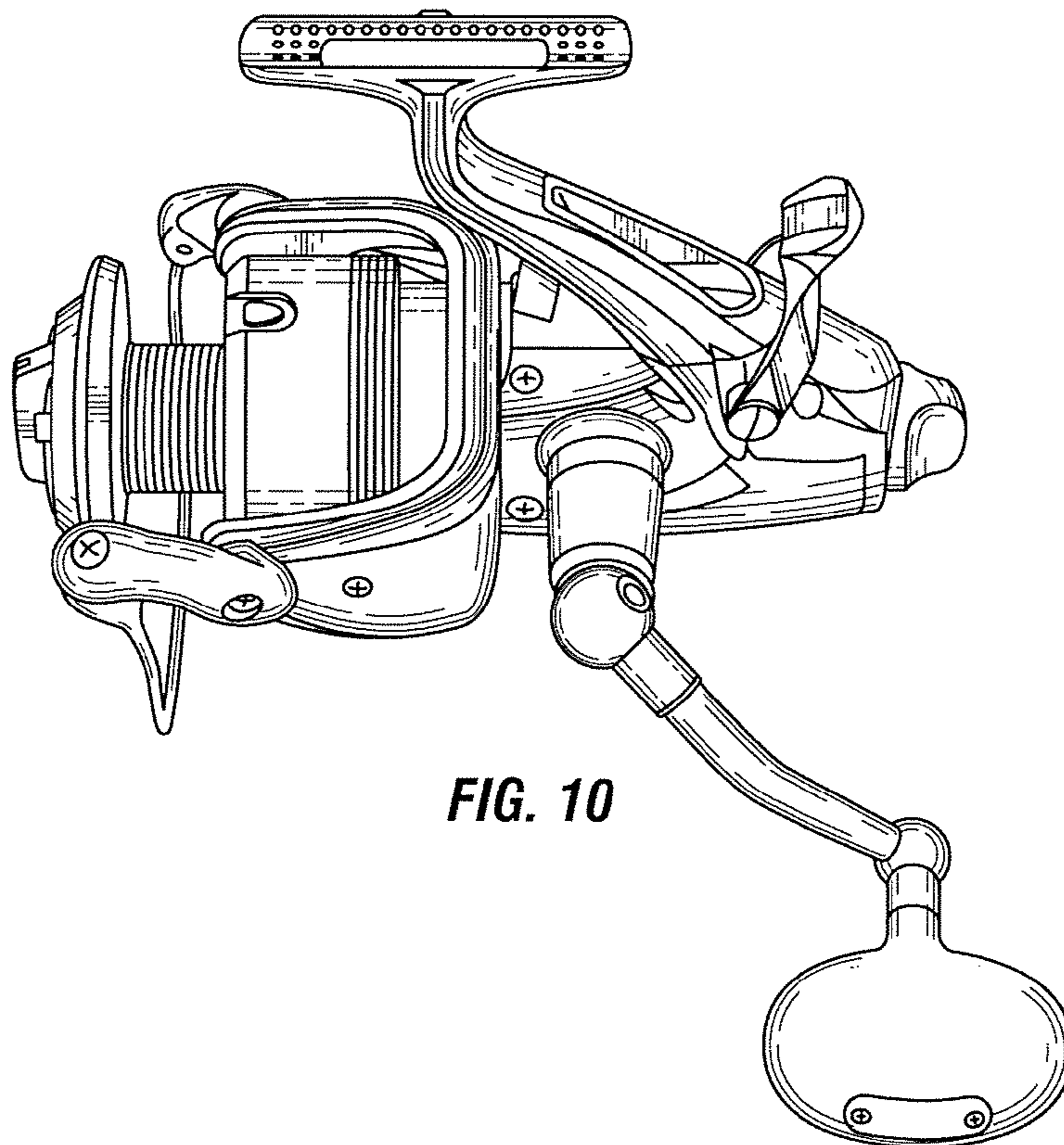


FIG. 10

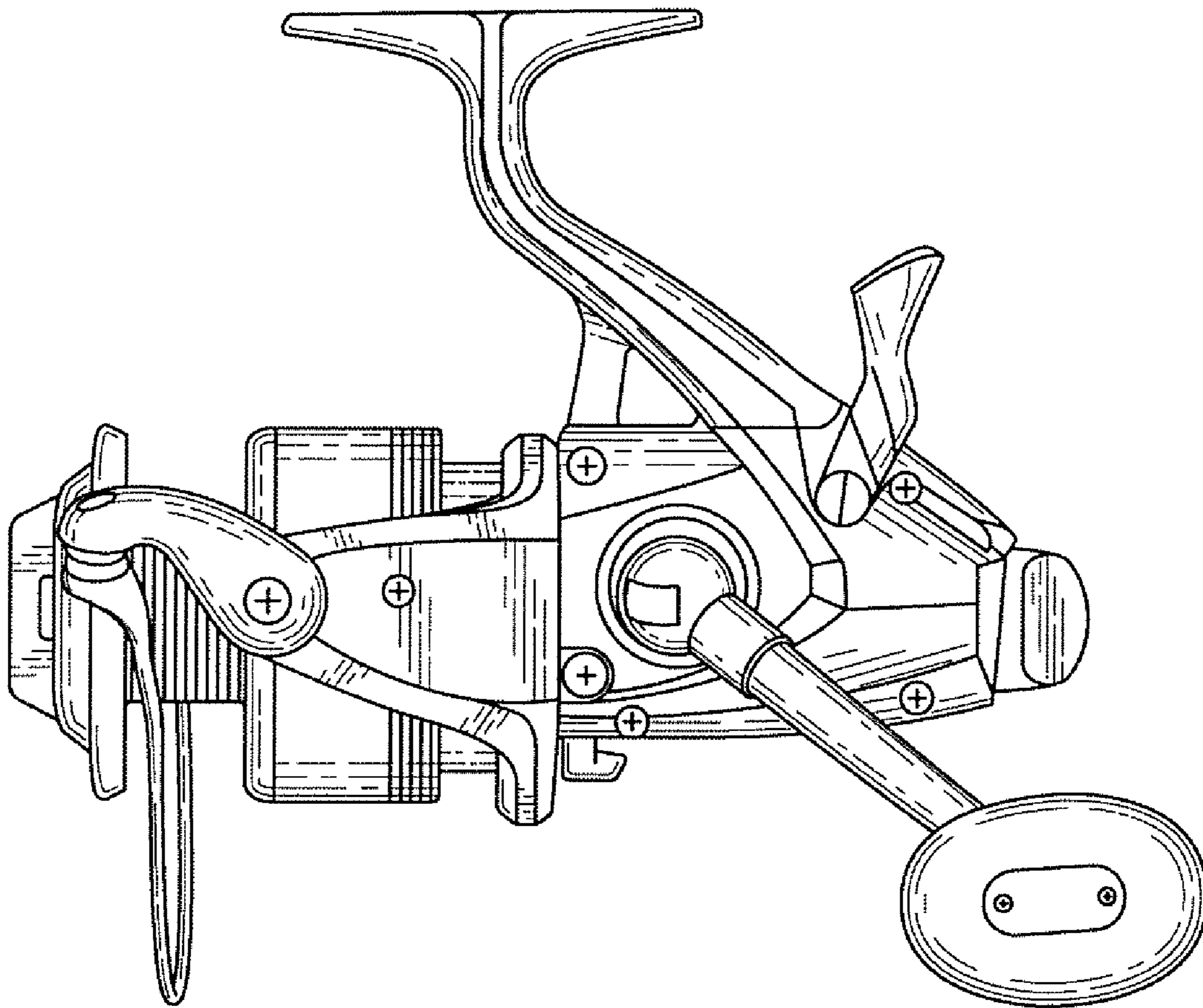


FIG. 11