



US00D620072S

(12) **United States Design Patent**  
**Noma**

(10) **Patent No.:** **US D620,072 S**

(45) **Date of Patent:** **\*\* Jul. 20, 2010**

(54) **FISHING REEL PORTION**

(75) Inventor: **Natsuki Noma**, Osaka (JP)

(73) Assignee: **Shimano Inc.**, Osaka (JP)

(\*\*) Term: **14 Years**

(21) Appl. No.: **29/352,861**

(22) Filed: **Dec. 29, 2009**

(30) **Foreign Application Priority Data**

Jul. 6, 2009 (JP) ..... 2009-15337

(51) **LOC (9) Cl.** ..... **22-05**

(52) **U.S. Cl.** ..... **D22/140**

(58) **Field of Classification Search** ..... D22/137-142;  
43/19-21; 242/223, 310-311, 314, 370,  
242/390

See application file for complete search history.

(56) **References Cited**

**U.S. PATENT DOCUMENTS**

- D299,509 S 1/1989 Inuma et al.
- D348,303 S 6/1994 Kameda et al.
- D367,515 S \* 2/1996 Robbins et al. .... D22/140
- D448,445 S \* 9/2001 Sakurai et al. .... D22/140
- D451,576 S 12/2001 Dancuk, Jr. et al.
- D451,577 S \* 12/2001 Duarte ..... D22/140
- D468,795 S 1/2003 Kondo et al.
- D502,754 S 3/2005 Tao
- D528,186 S 9/2006 Iwabuchi
- D565,691 S \* 4/2008 Young ..... D22/140

D586,422 S \* 2/2009 Kobayashi ..... D22/140

\* cited by examiner

*Primary Examiner*—Catherine R Oliver

(74) *Attorney, Agent, or Firm*—Global IP Counselors, LLP

(57) **CLAIM**

The ornamental design for a fishing reel portion, as shown and described.

**DESCRIPTION**

FIG. 1 is a first perspective view of a fishing reel with a fishing reel portion in accordance with my new design;

FIG. 2 is a second perspective view of the fishing reel with the fishing reel portion illustrated in FIG. 1;

FIG. 3 is a first end elevational view of the fishing reel with the fishing reel portion illustrated in FIG. 1;

FIG. 4 is a second end elevational view of the fishing reel portion in accordance with my new design;

FIG. 5 is a top plan view of the fishing reel with the fishing reel portion illustrated in FIG. 1;

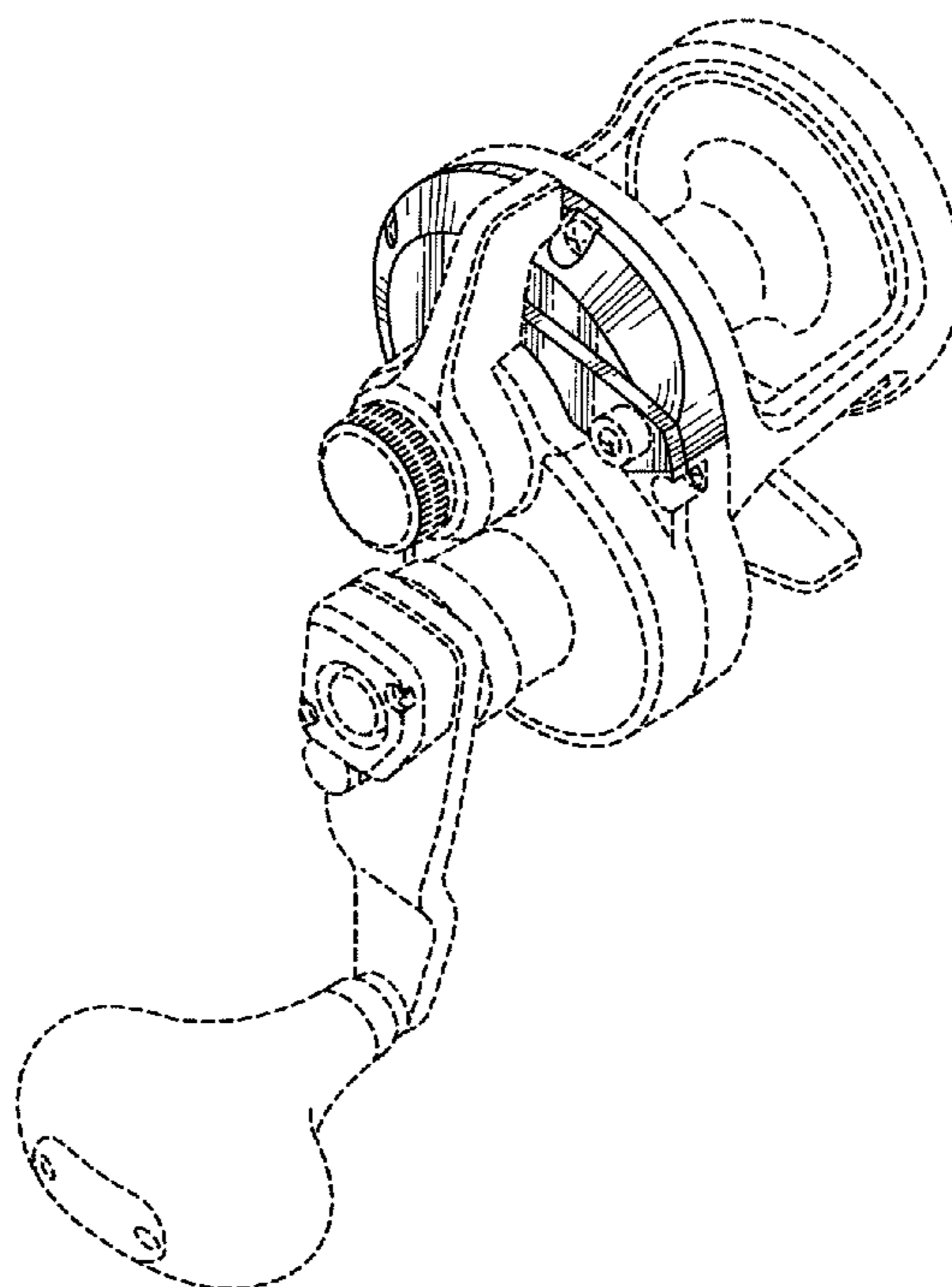
FIG. 6 is a bottom plan view of the fishing reel with the fishing reel portion illustrated in FIG. 1;

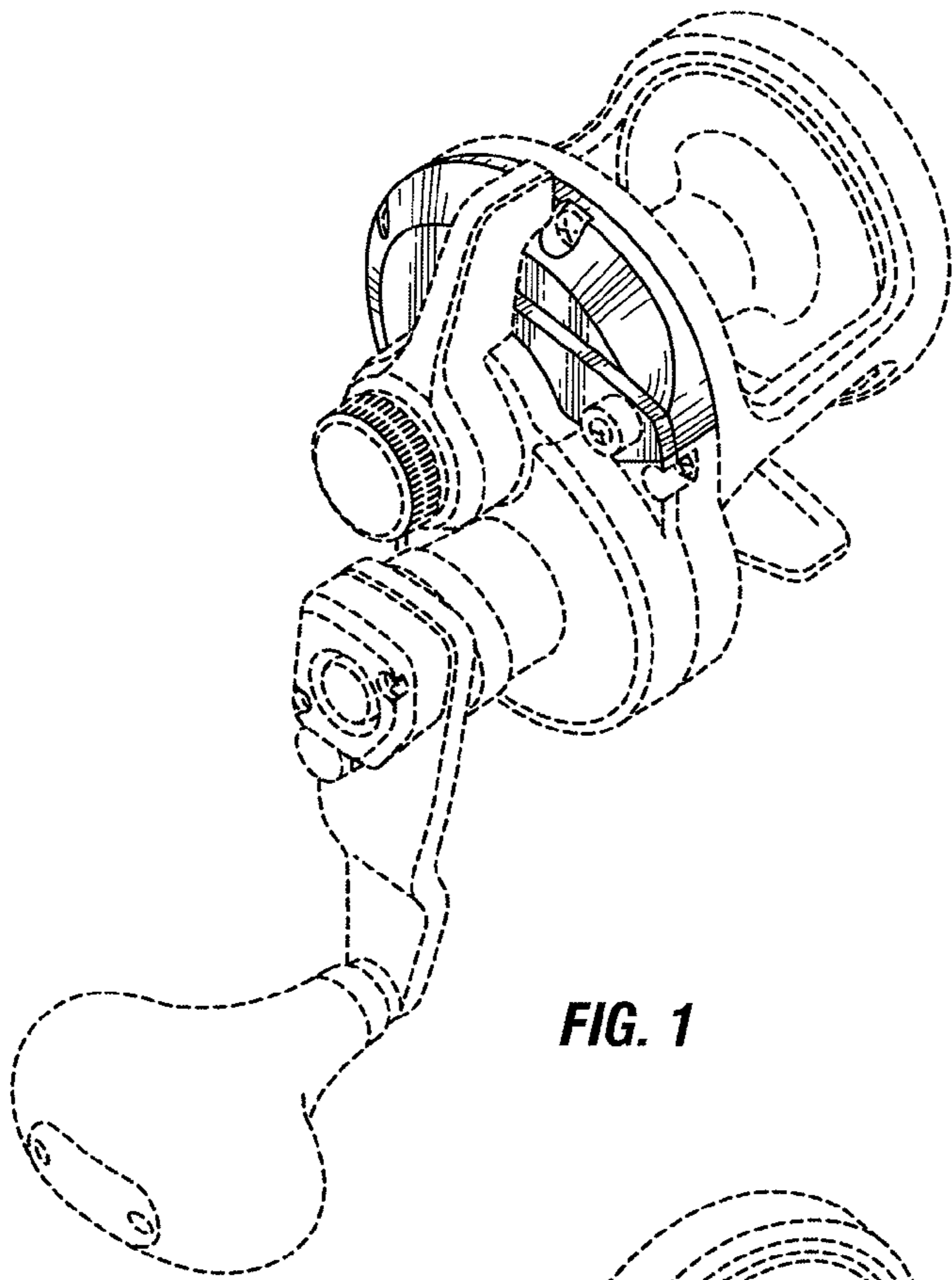
FIG. 7 is a first side elevational view of the fishing reel with the fishing reel portion illustrated in FIG. 1; and,

FIG. 8 is a second side elevational view of the fishing reel with the fishing reel portion illustrated in FIG. 1.

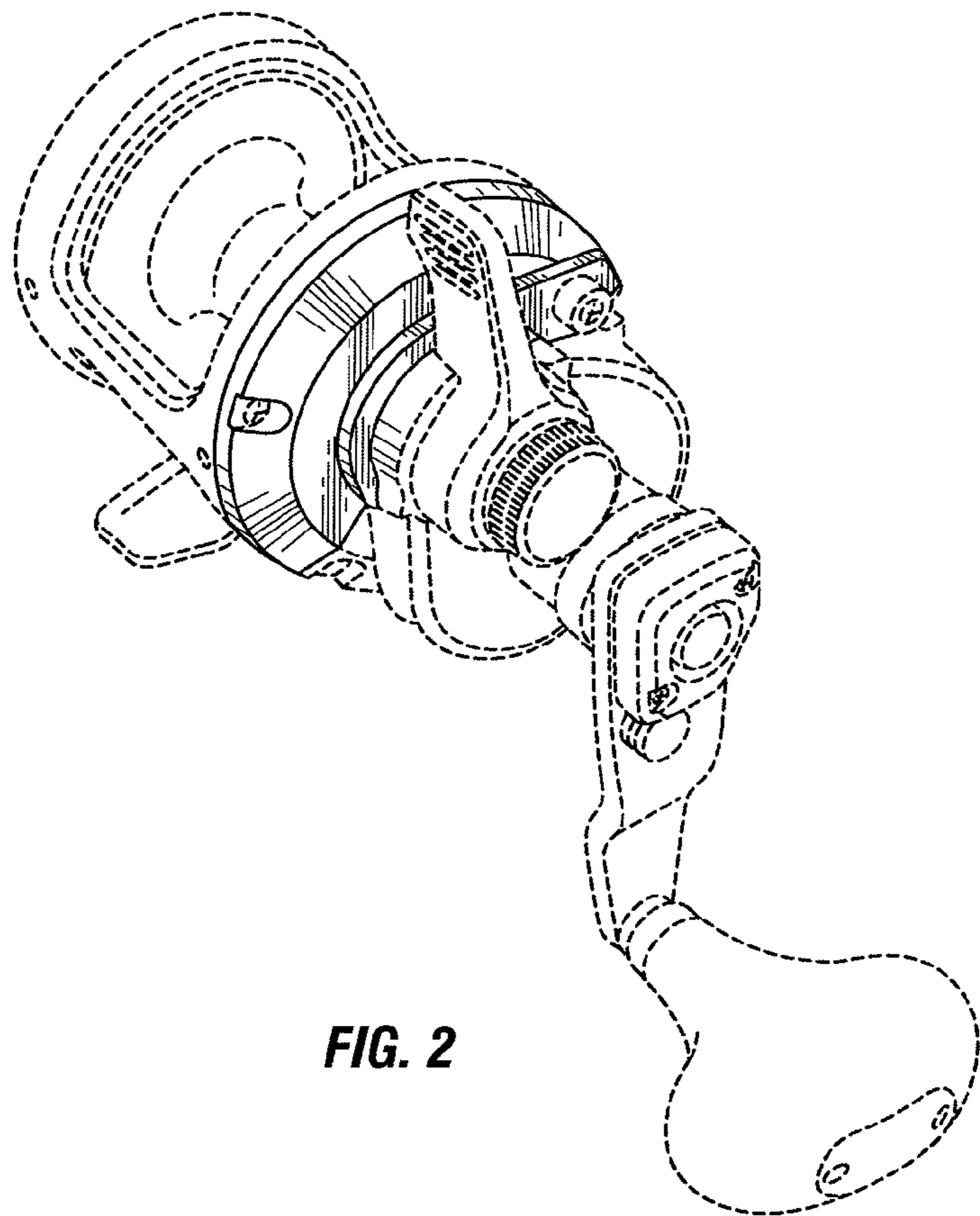
The broken line illustration of the environmental structure (the remaining structure of the fishing reel) in the drawings is not part of the claimed design.

**1 Claim, 4 Drawing Sheets**

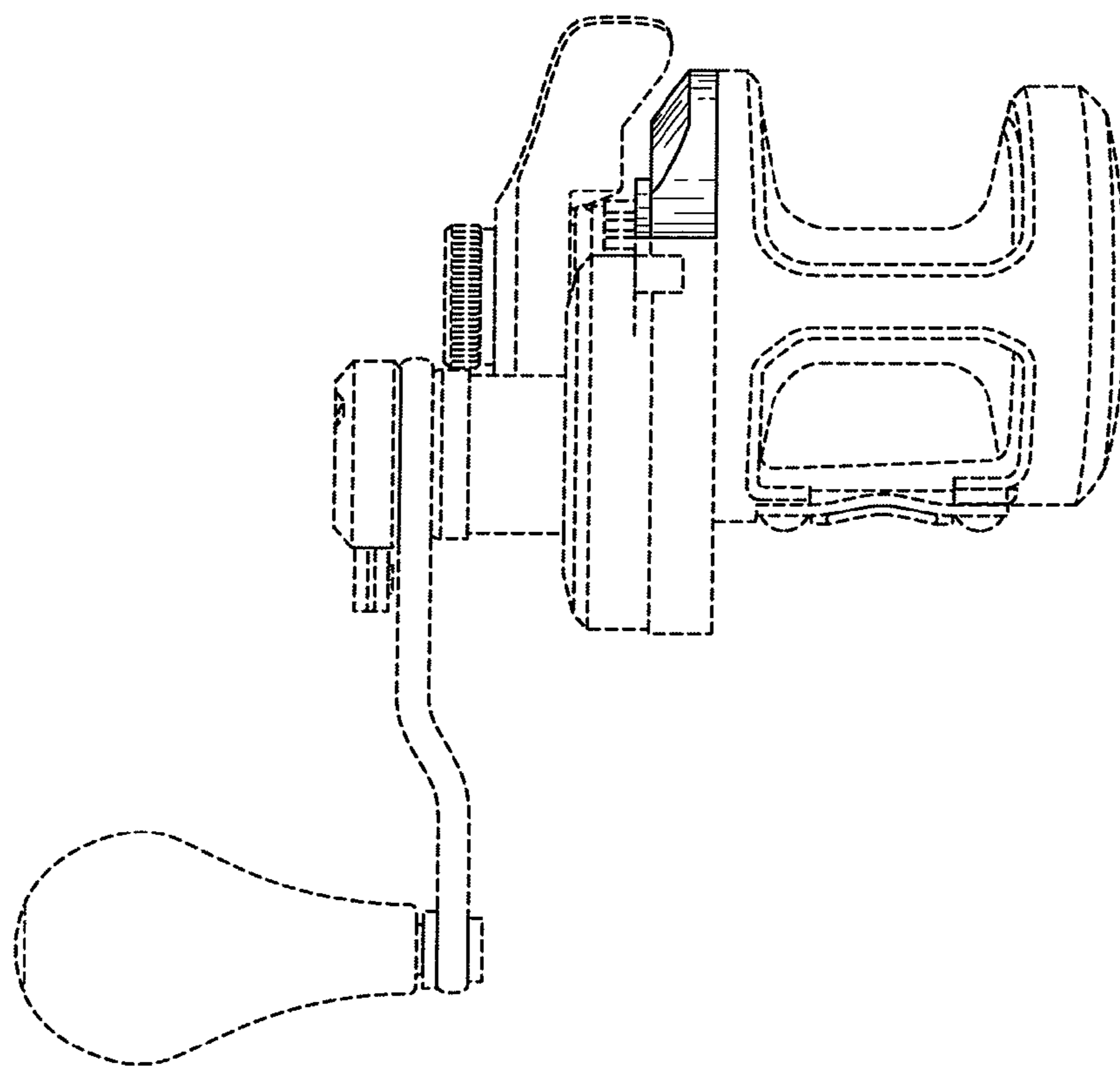




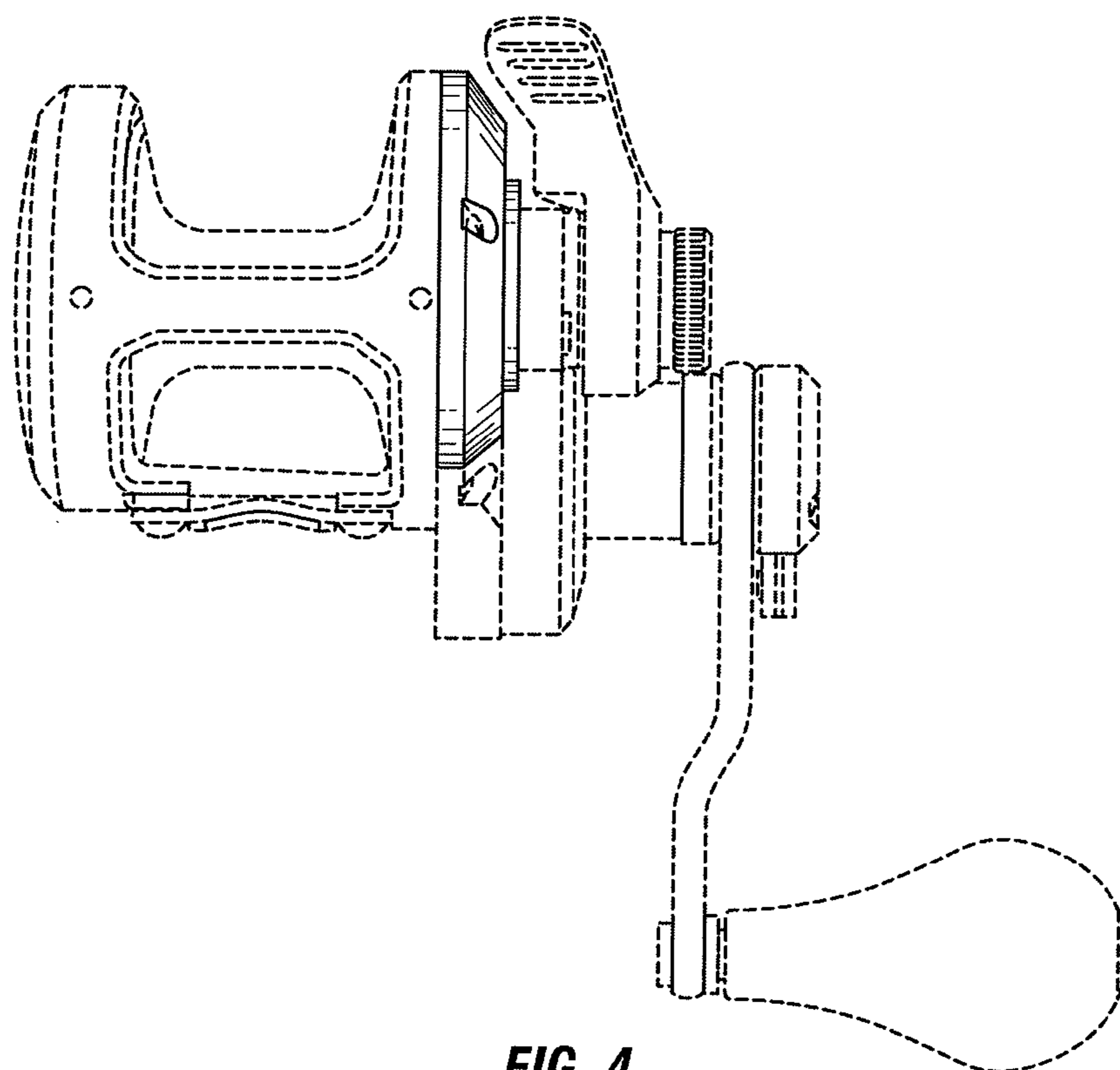
**FIG. 1**



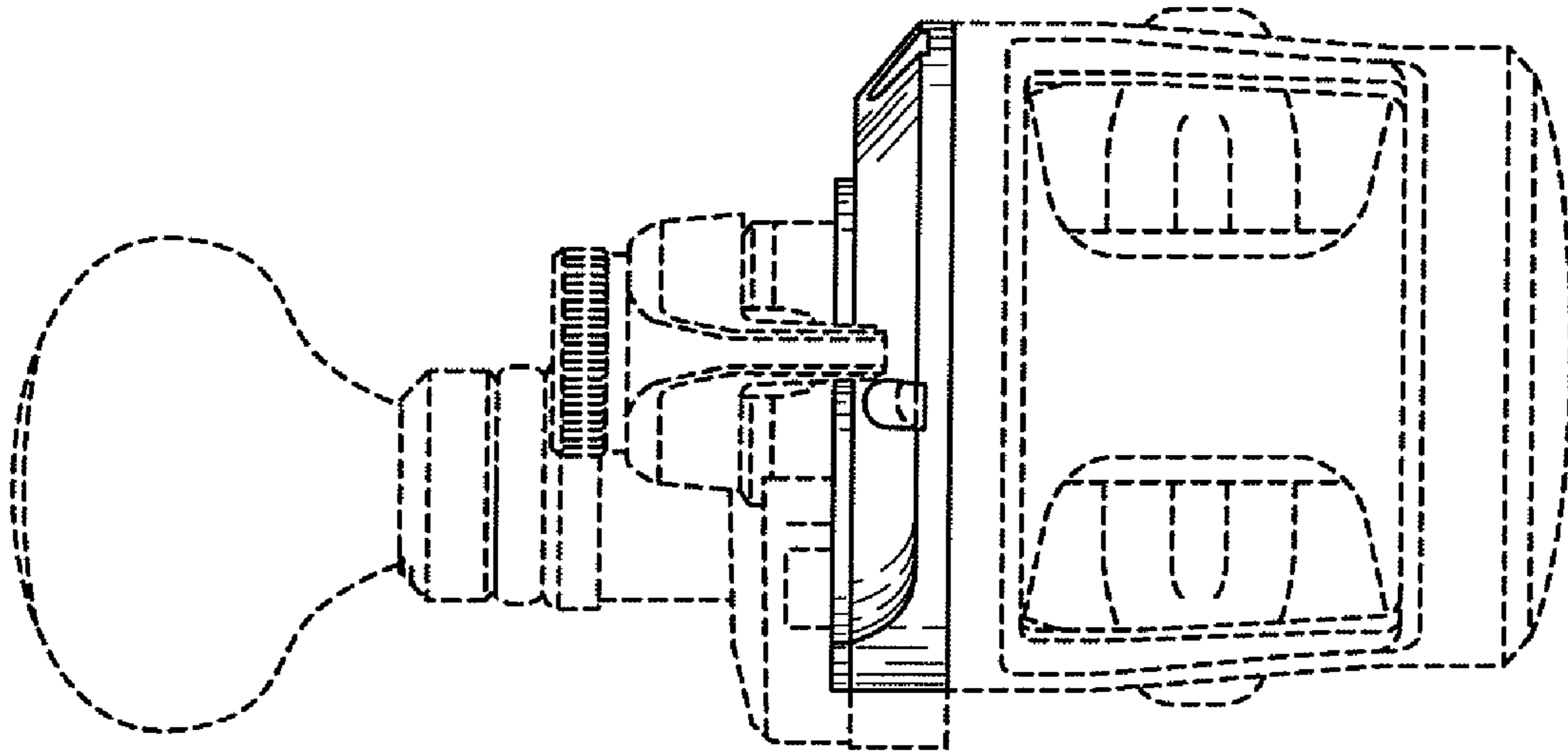
**FIG. 2**



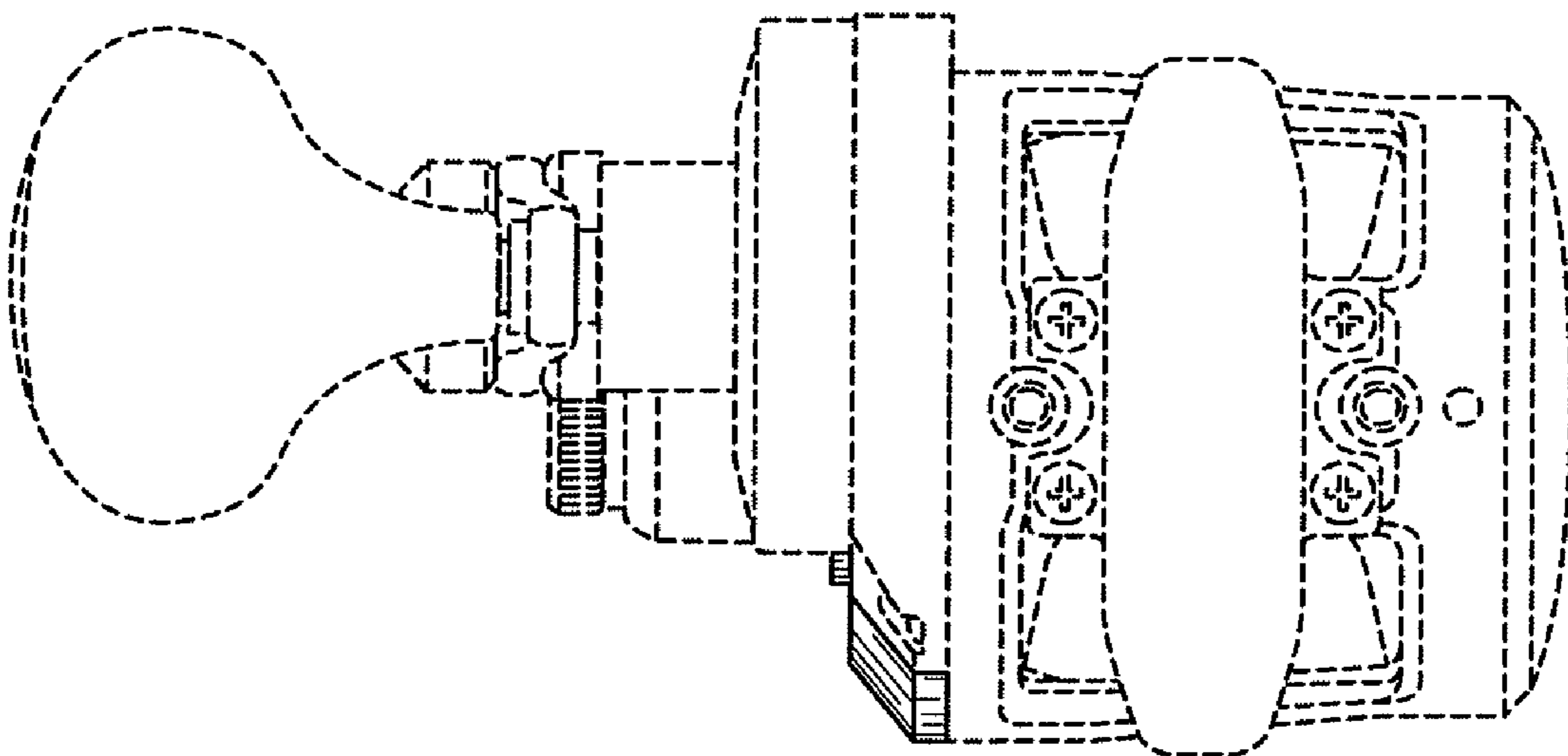
**FIG. 3**



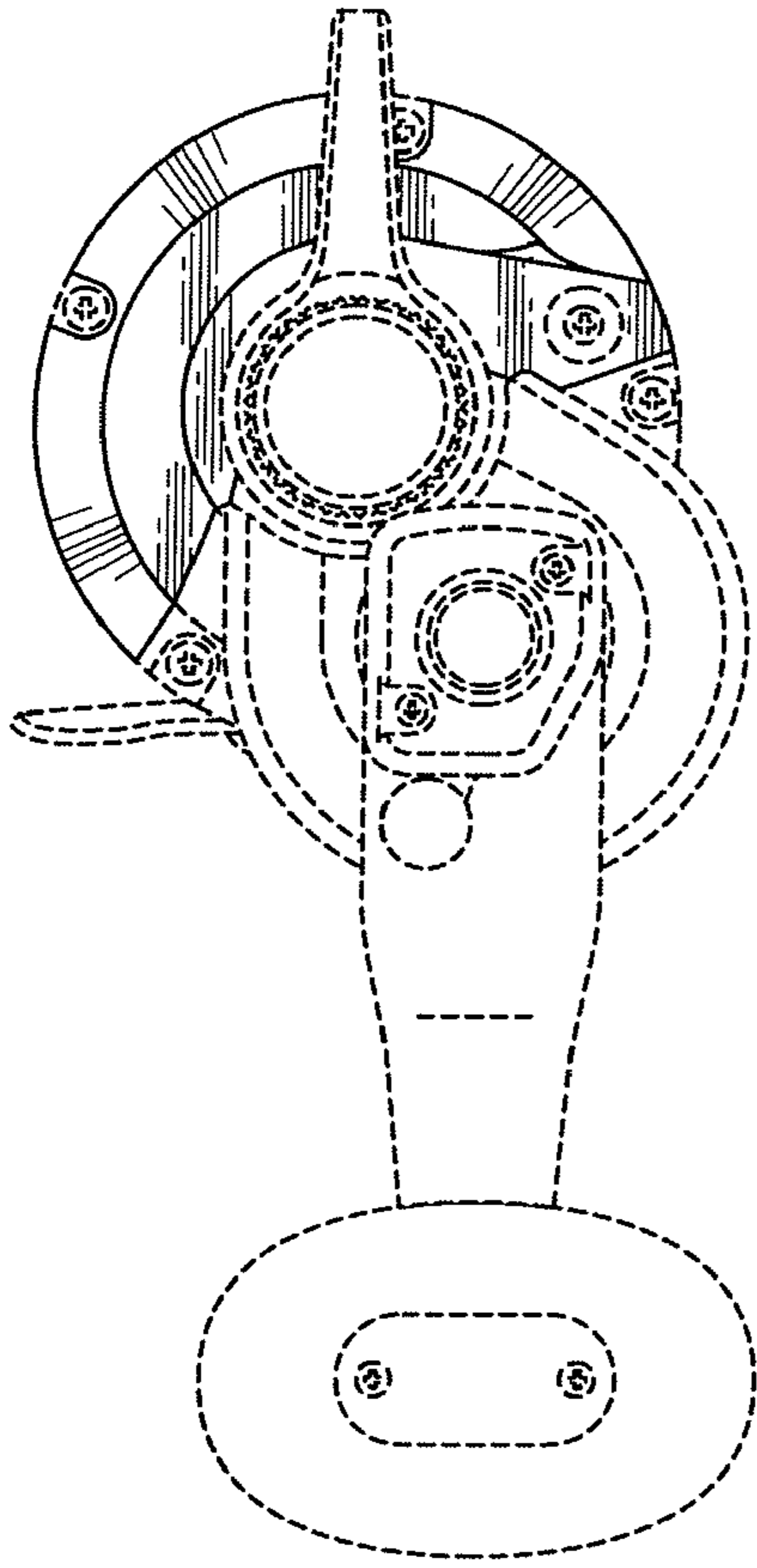
**FIG. 4**



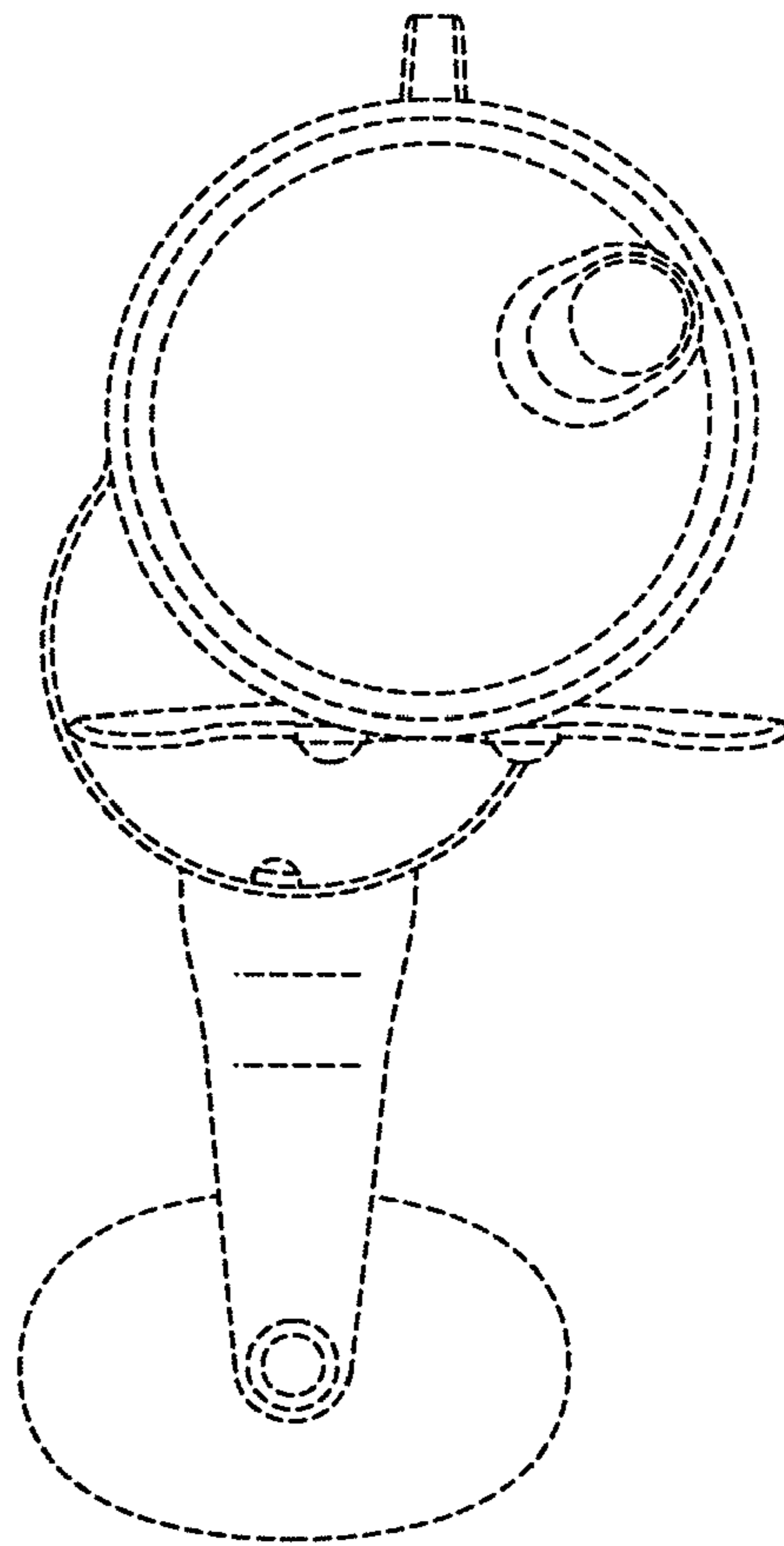
**FIG. 5**



**FIG. 6**



**FIG. 7**



**FIG. 8**