



US00D620070S

(12) **United States Design Patent**
Noma

(10) **Patent No.:** **US D620,070 S**
(45) **Date of Patent:** **** Jul. 20, 2010**

(54) **FISHING REEL PORTION**

(75) Inventor: **Natsuki Noma**, Osaka (JP)

(73) Assignee: **Shimaro Inc.**, Osaka (JP)

(**) Term: **14 Years**

(21) Appl. No.: **29/352,737**

(22) Filed: **Dec. 24, 2009**

(30) **Foreign Application Priority Data**

Jul. 6, 2009 (JP) 2009-15334

(51) **LOC (9) Cl.** **22-05**

(52) **U.S. Cl.** **D22/140**

(58) **Field of Classification Search** D22/137-142;
43/19-21; 242/223, 310-311, 314, 370
See application file for complete search history.

(56) **References Cited**

U.S. PATENT DOCUMENTS

D284,396 S	6/1986	Iinuma et al.	
D367,515 S *	2/1996	Robbins et al.	D22/140
D448,445 S *	9/2001	Sakurai et al.	D22/140
D451,576 S	12/2001	Datcuk, Jr. et al.	
D451,577 S *	12/2001	Duarte	D22/140
D502,754 S	3/2005	Tao	
D528,186 S	9/2006	Iwabuchi	
D565,691 S *	4/2008	Young	D22/140
D586,422 S *	2/2009	Kobayashi	D22/140

* cited by examiner

Primary Examiner—Catherine R Oliver
(74) *Attorney, Agent, or Firm*—Global IP Counselors, LLP

(57) **CLAIM**

The ornamental design for a fishing reel portion, as shown and described.

DESCRIPTION

FIG. 1 is a first perspective view of a fishing reel with a fishing reel portion in accordance with my new design;

FIG. 2 is a second perspective view of the fishing reel with the fishing reel portion illustrated in FIG. 1;

FIG. 3 is a third perspective view of the fishing reel with the fishing reel portion illustrated in FIG. 1;

FIG. 4 is a first end elevational view of the fishing reel with the fishing reel portion illustrated in FIG. 1;

FIG. 5 is a second end elevational view of the fishing reel portion in accordance with my new design;

FIG. 6 is a top plan view of the fishing reel with the fishing reel portion illustrated in FIG. 1;

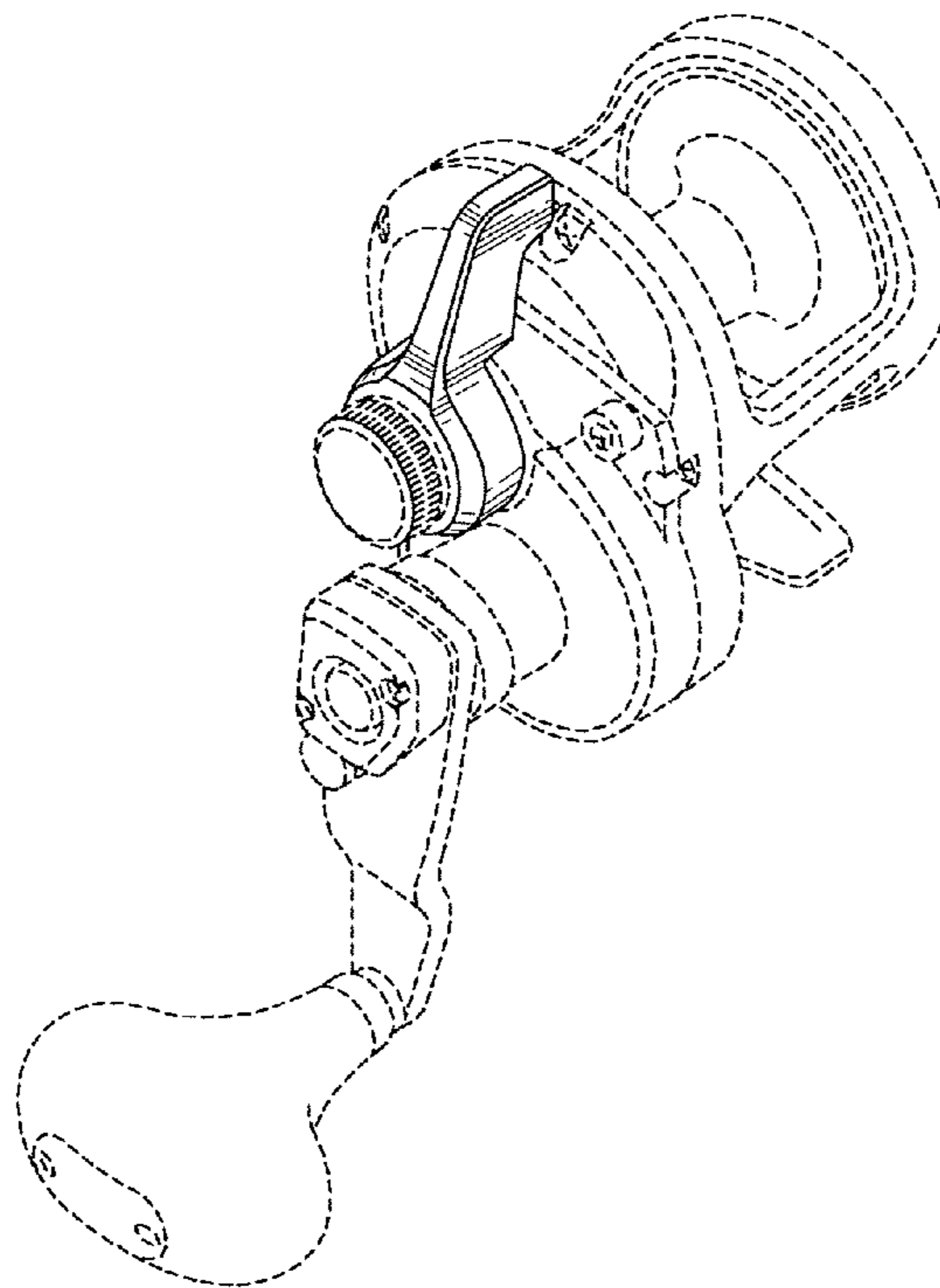
FIG. 7 is a bottom plan view of the fishing reel with the fishing reel portion illustrated in FIG. 1;

FIG. 8 is a first side elevational view of the fishing reel with the fishing reel portion illustrated in FIG. 1; and,

FIG. 9 is a second side elevational view of the fishing reel with the fishing reel portion illustrated in FIG. 1.

The broken line illustration of the environmental structure (the remaining structure of the fishing reel) in the drawings is not part of the claimed design.

1 Claim, 4 Drawing Sheets



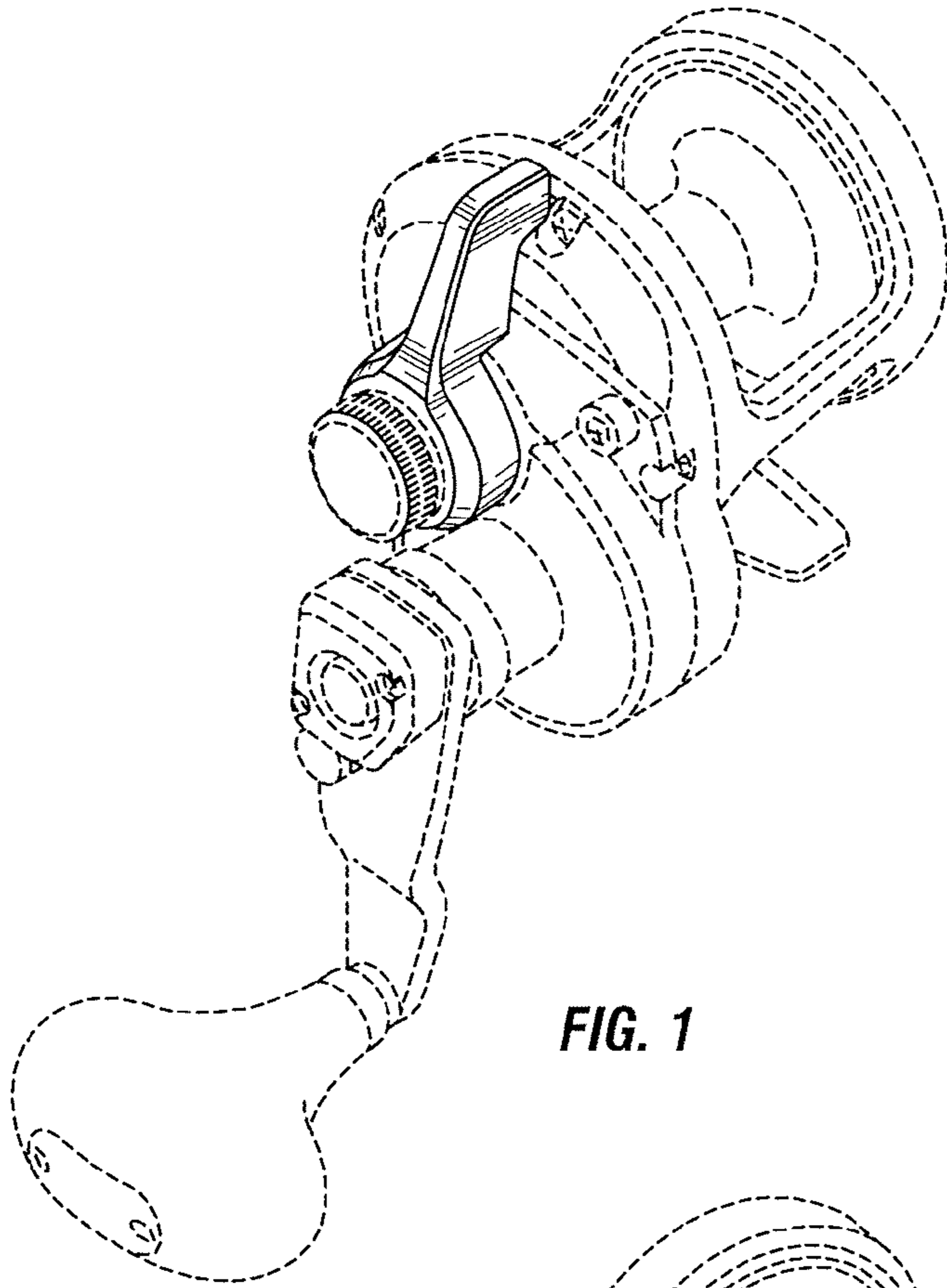


FIG. 1

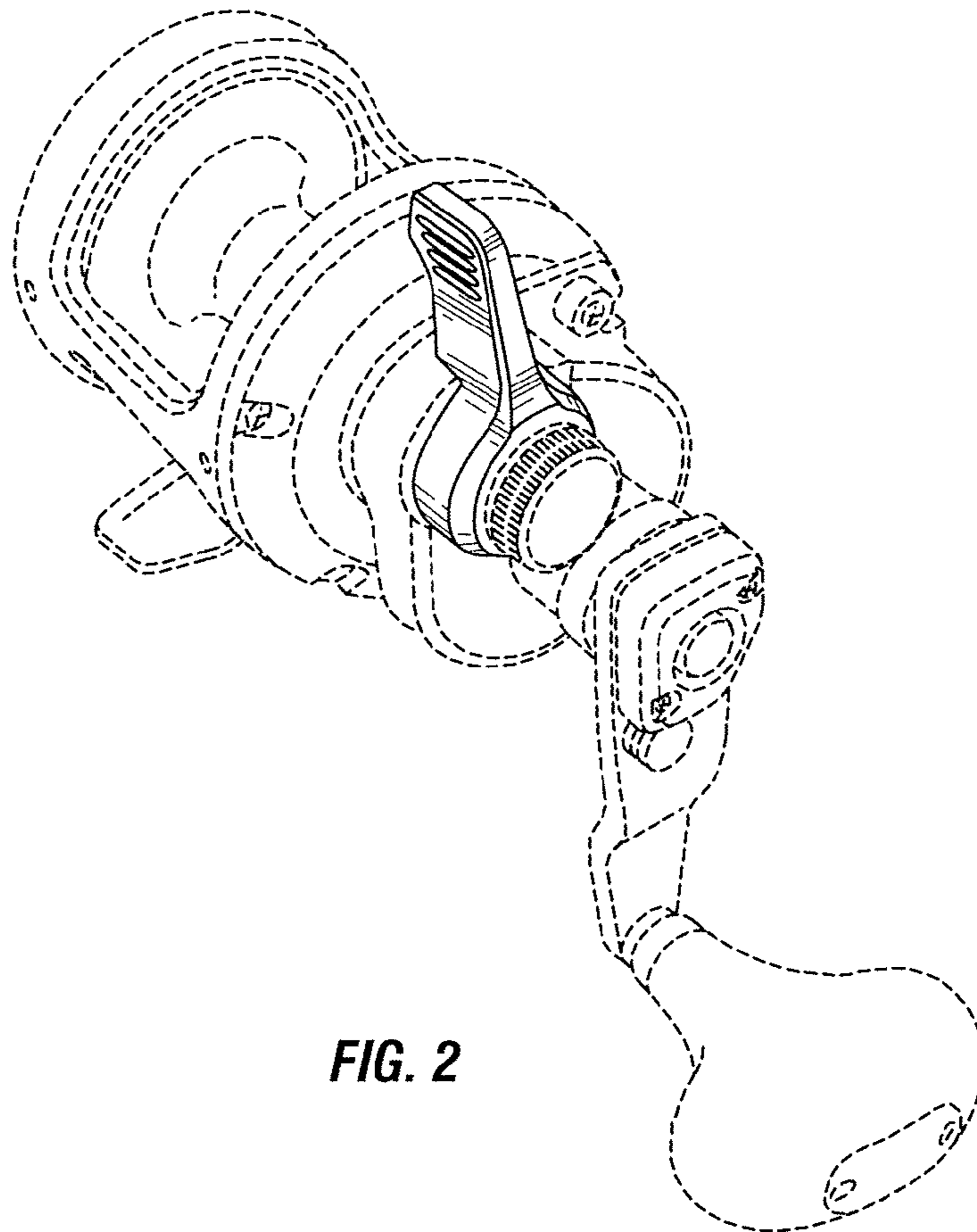


FIG. 2

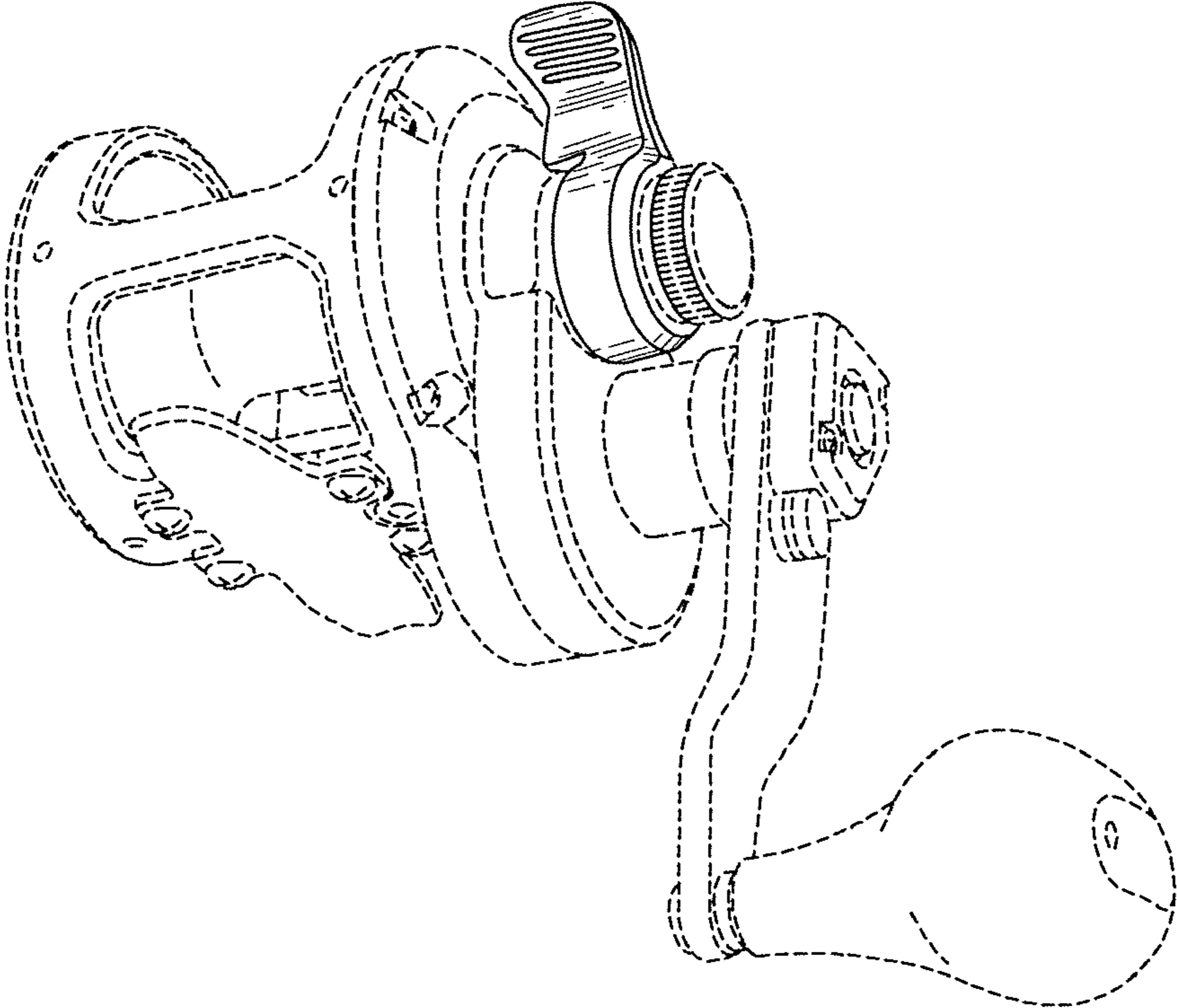


FIG. 3

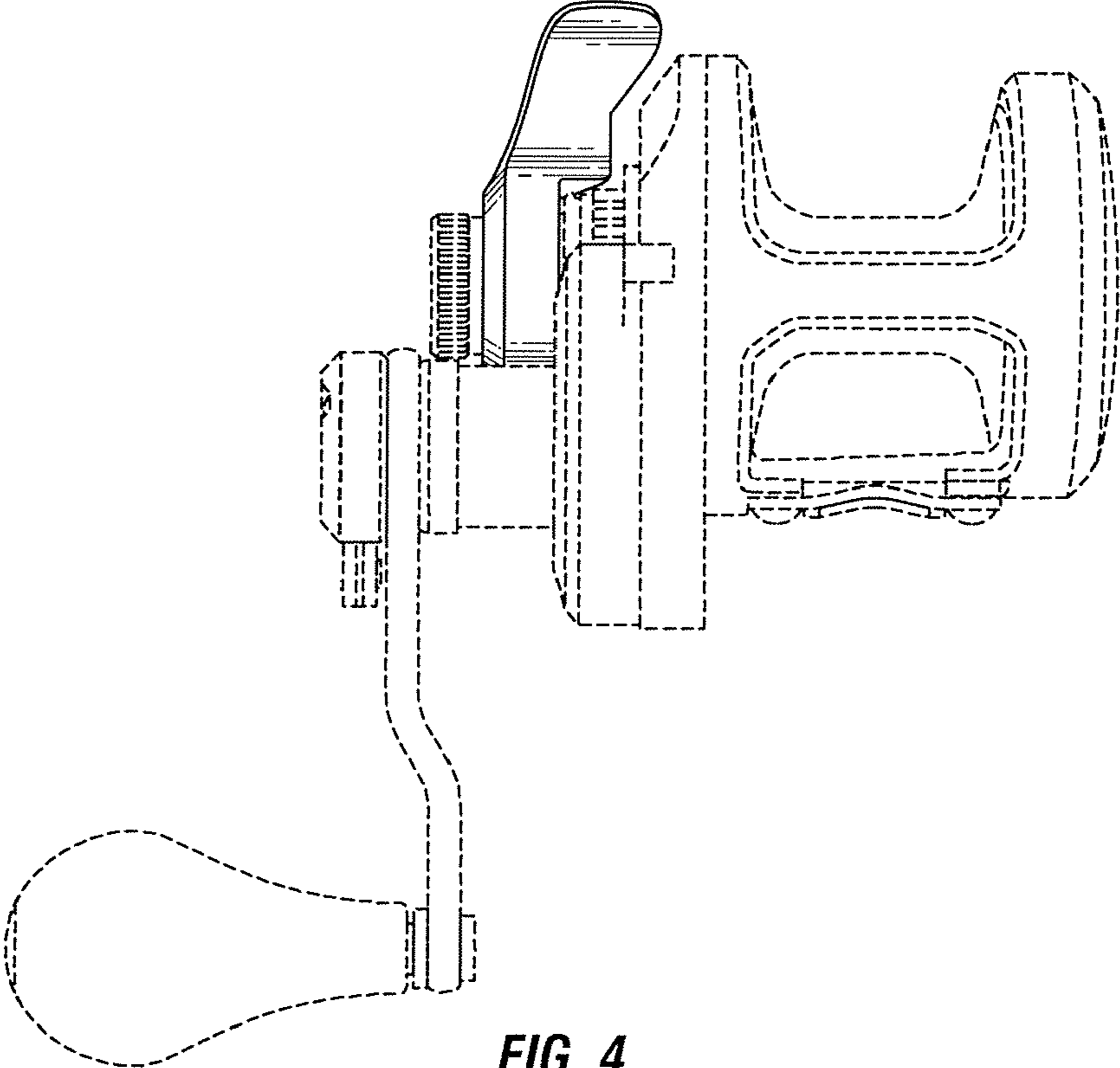


FIG. 4

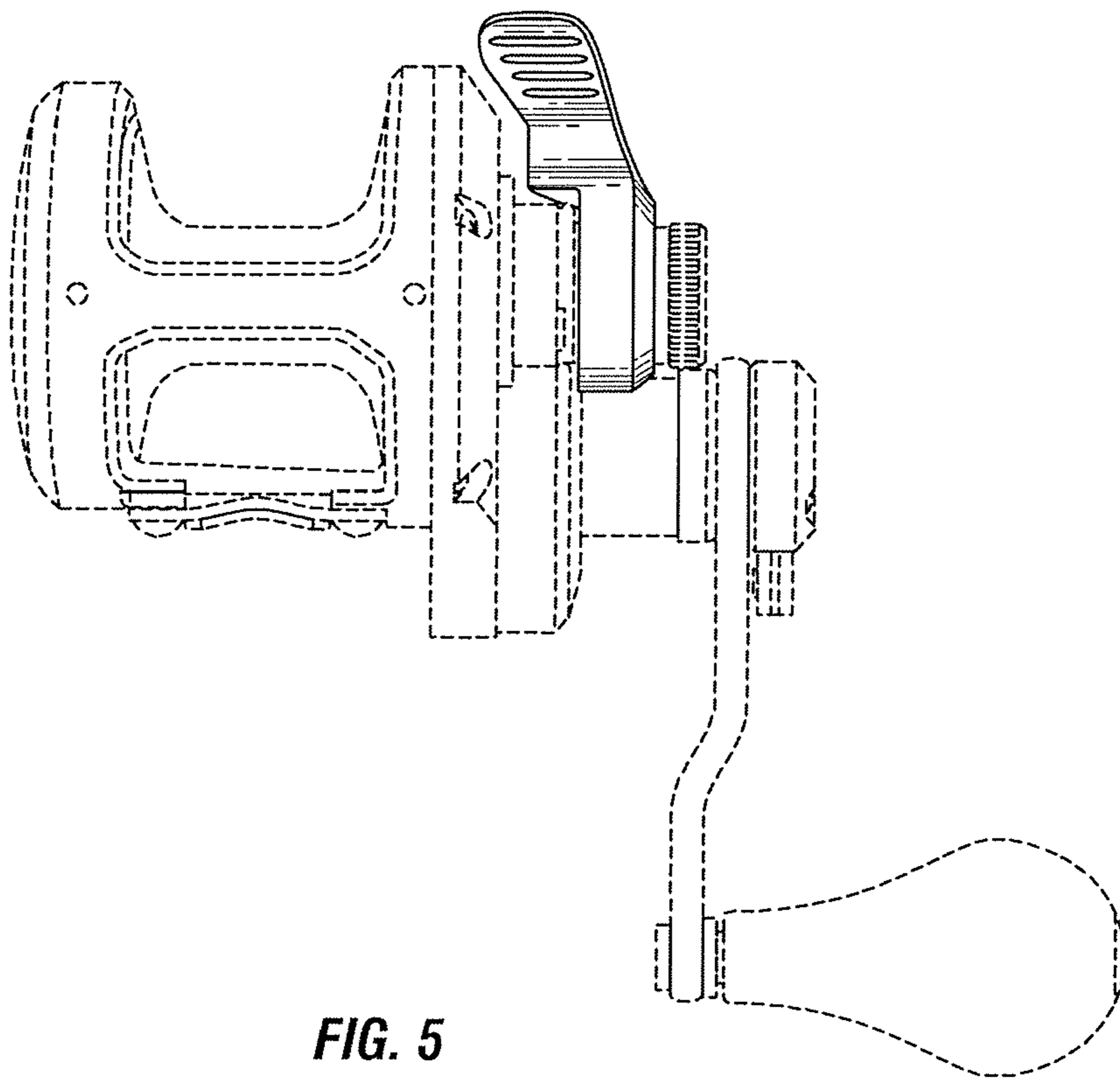


FIG. 5

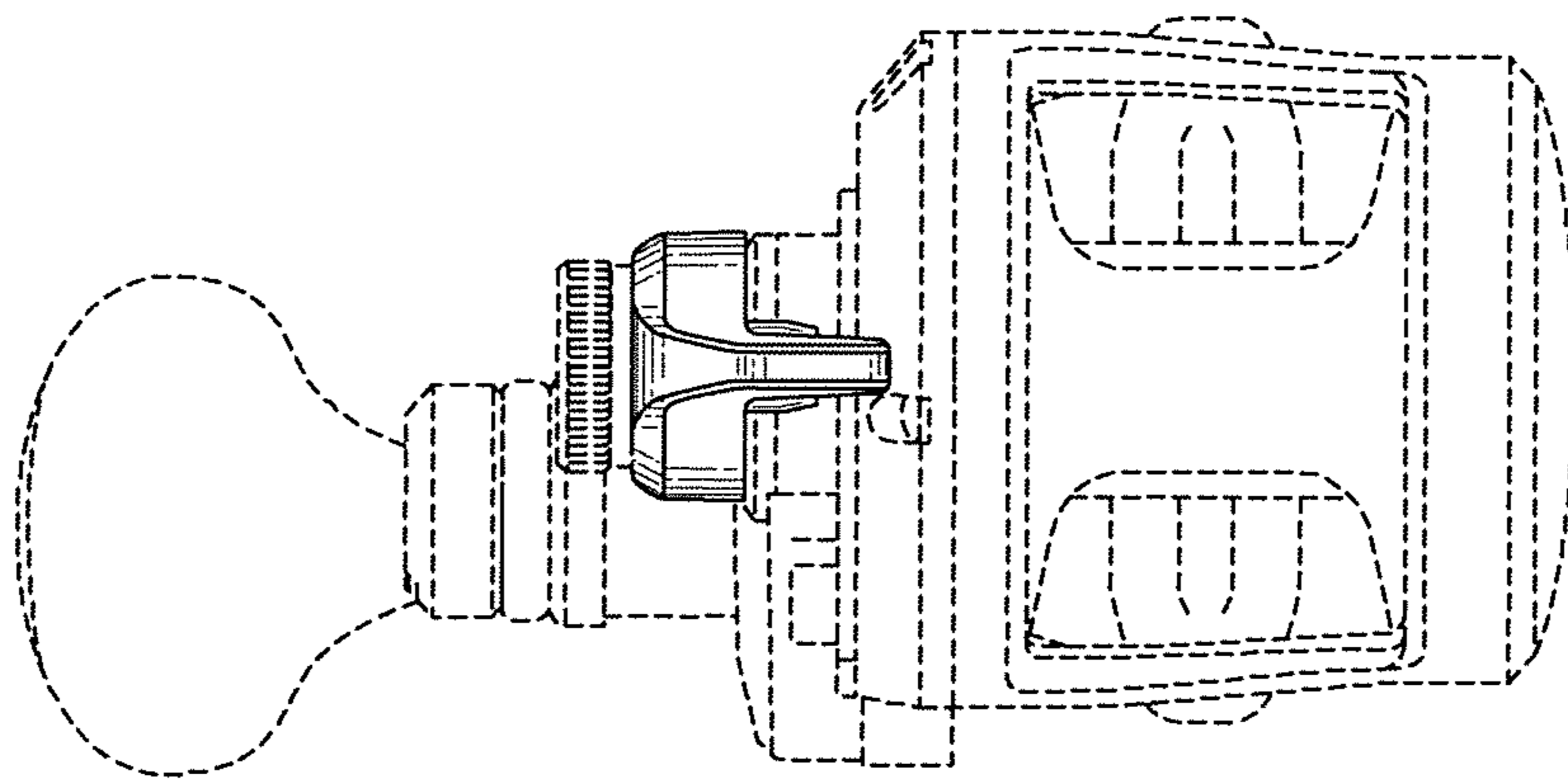


FIG. 6

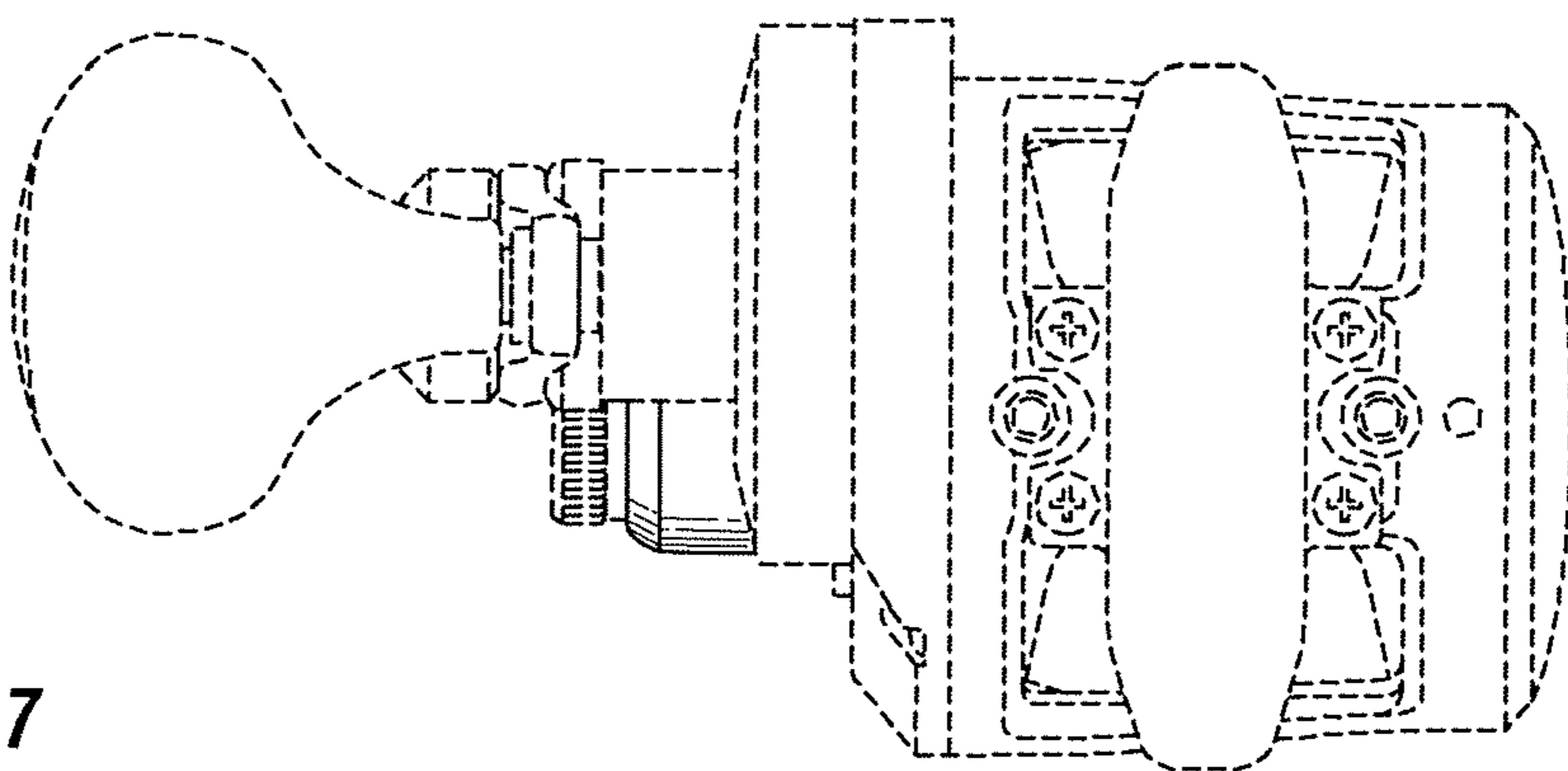


FIG. 7

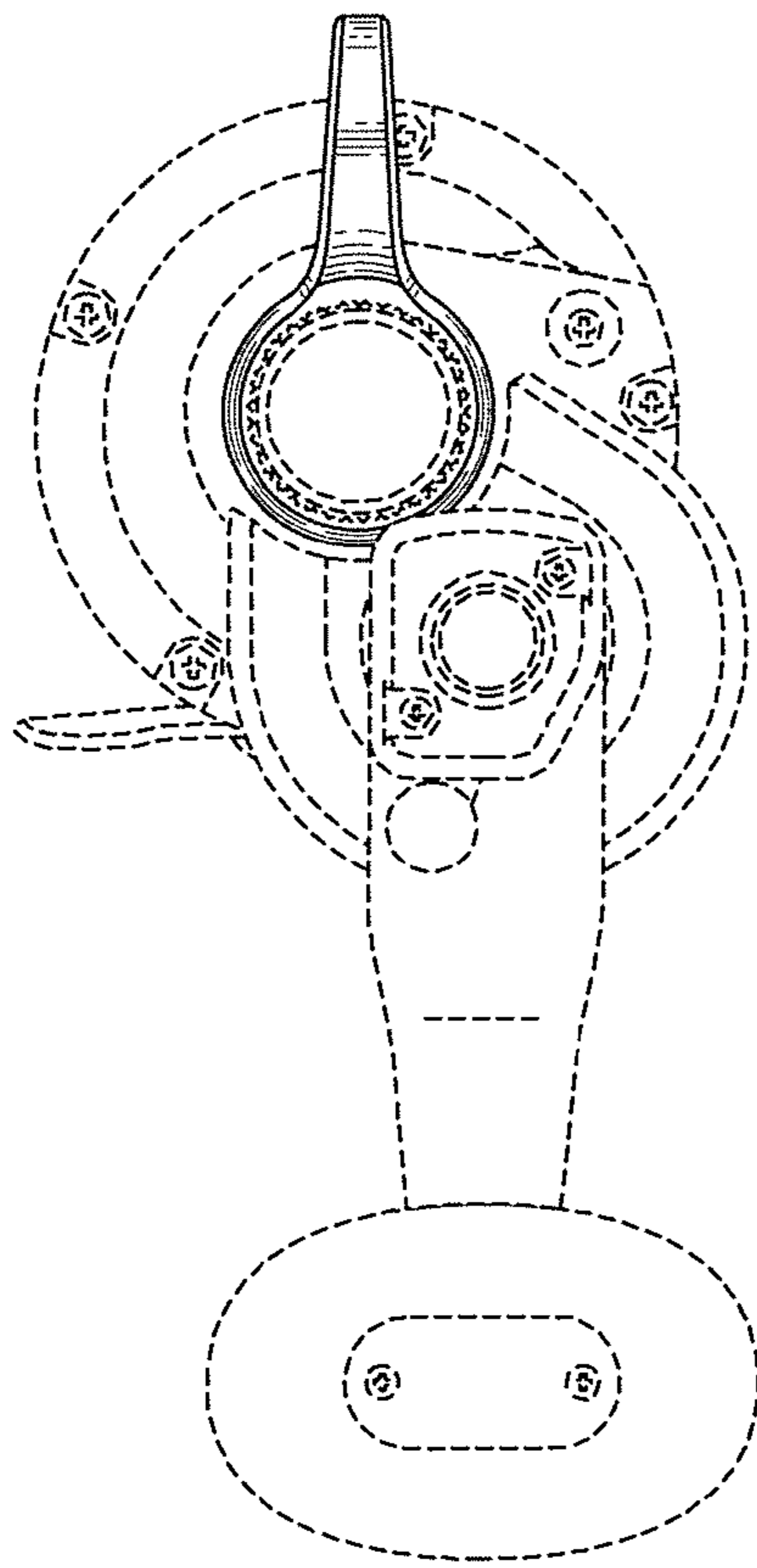


FIG. 8

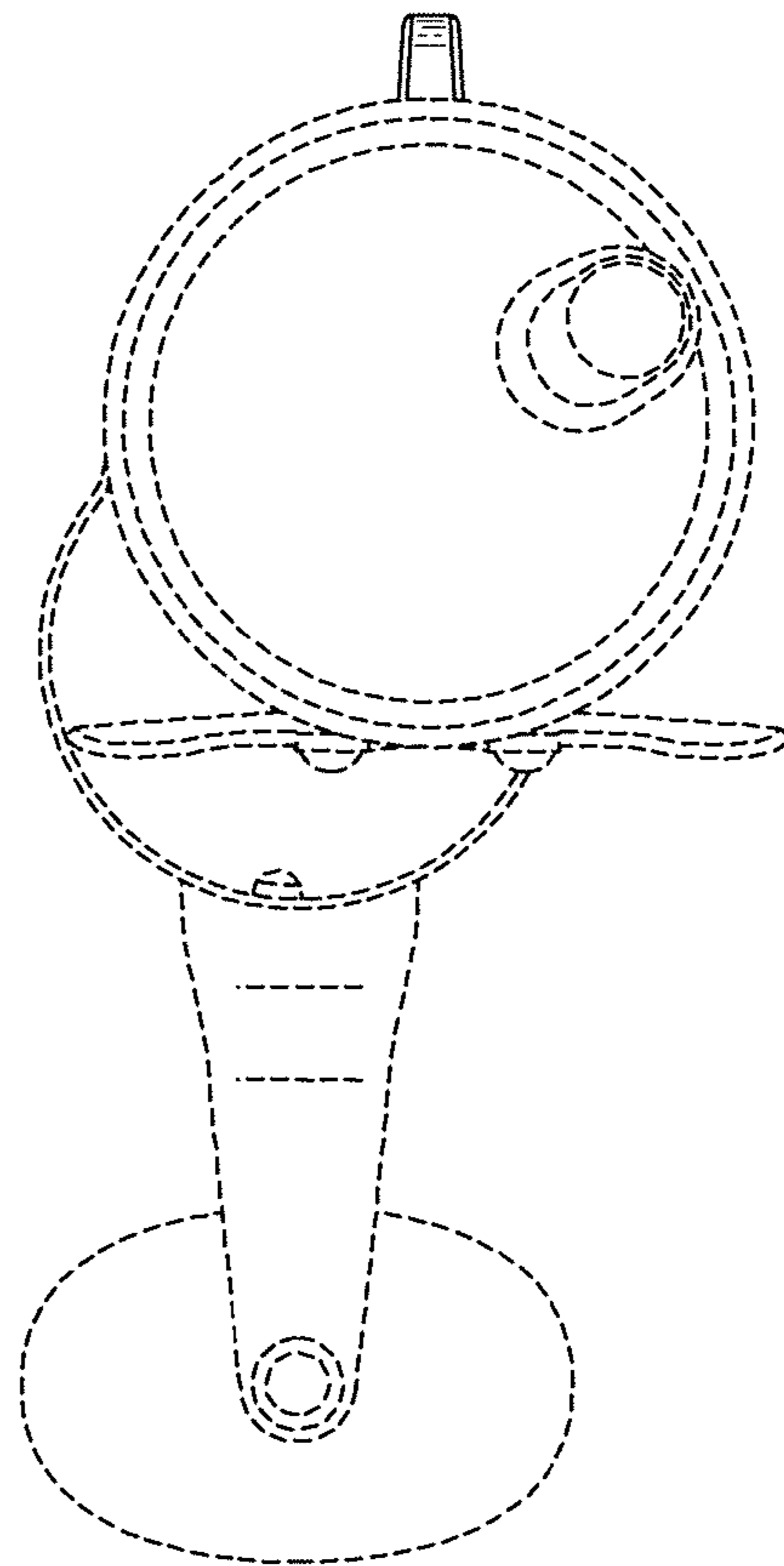


FIG. 9

UNITED STATES PATENT AND TRADEMARK OFFICE
CERTIFICATE OF CORRECTION

PATENT NO. : Des. 620,070 S
APPLICATION NO. : 29/352737
DATED : July 20, 2010
INVENTOR(S) : Natsuki Noma

Page 1 of 1

It is certified that error appears in the above-identified patent and that said Letters Patent is hereby corrected as shown below:

Title Pg, Item (73) Assignee: change

“[73] Assignee: Shimaro Inc., Osaka (JP)”

to

-- [73] Assignee: Shimano Inc., Osaka (JP) --

Signed and Sealed this

Fourteenth Day of September, 2010

A handwritten signature in black ink that reads "David J. Kappos". The signature is written in a cursive, flowing style.

David J. Kappos
Director of the United States Patent and Trademark Office