



US00D620069S

(12) **United States Design Patent**
Ashley

(10) **Patent No.:** **US D620,069 S**

(45) **Date of Patent:** **** Jul. 20, 2010**

(54) **FISH STRIKE INDICATOR**

(76) Inventor: **John Ashley**, 923 Yorktown Dr., Medina, OH (US) 44256

(**) Term: **14 Years**

(21) Appl. No.: **29/342,151**

(22) Filed: **Aug. 19, 2009**

(51) **LOC (9) Cl.** **22-05**

(52) **U.S. Cl.** **D22/134**

(58) **Field of Classification Search** D22/134-136,
D22/138-139, 199; 43/43.1, 15-17, 17.5,
43/25

See application file for complete search history.

(56) **References Cited**

U.S. PATENT DOCUMENTS

| | | | | |
|----------------|---------|-------------|-------|---------|
| D401,995 S * | 12/1998 | Yamagata | | D22/134 |
| D403,737 S * | 1/1999 | Howe et al. | | D22/139 |
| D421,478 S * | 3/2000 | Medrano | | D22/134 |
| D484,563 S * | 12/2003 | Rozkowski | | D22/134 |
| D551,317 S * | 9/2007 | Hope | | D22/134 |
| 7,337,577 B1 * | 3/2008 | Ramirez | | 43/17 |

* cited by examiner

Primary Examiner—Catherine R Oliver

(74) *Attorney, Agent, or Firm*—McHale & Slavin, P.A.

(57) **CLAIM**

The ornamental design for a fish strike indicator, as shown and described.

DESCRIPTION

FIG. 1 is a front perspective view of the fish strike indicator of the instant invention;

FIG. 2 is a right side view thereof;

FIG. 3 is a left side view thereof;

FIG. 4 is a bottom view thereof;

FIG. 5 is a top view thereof;

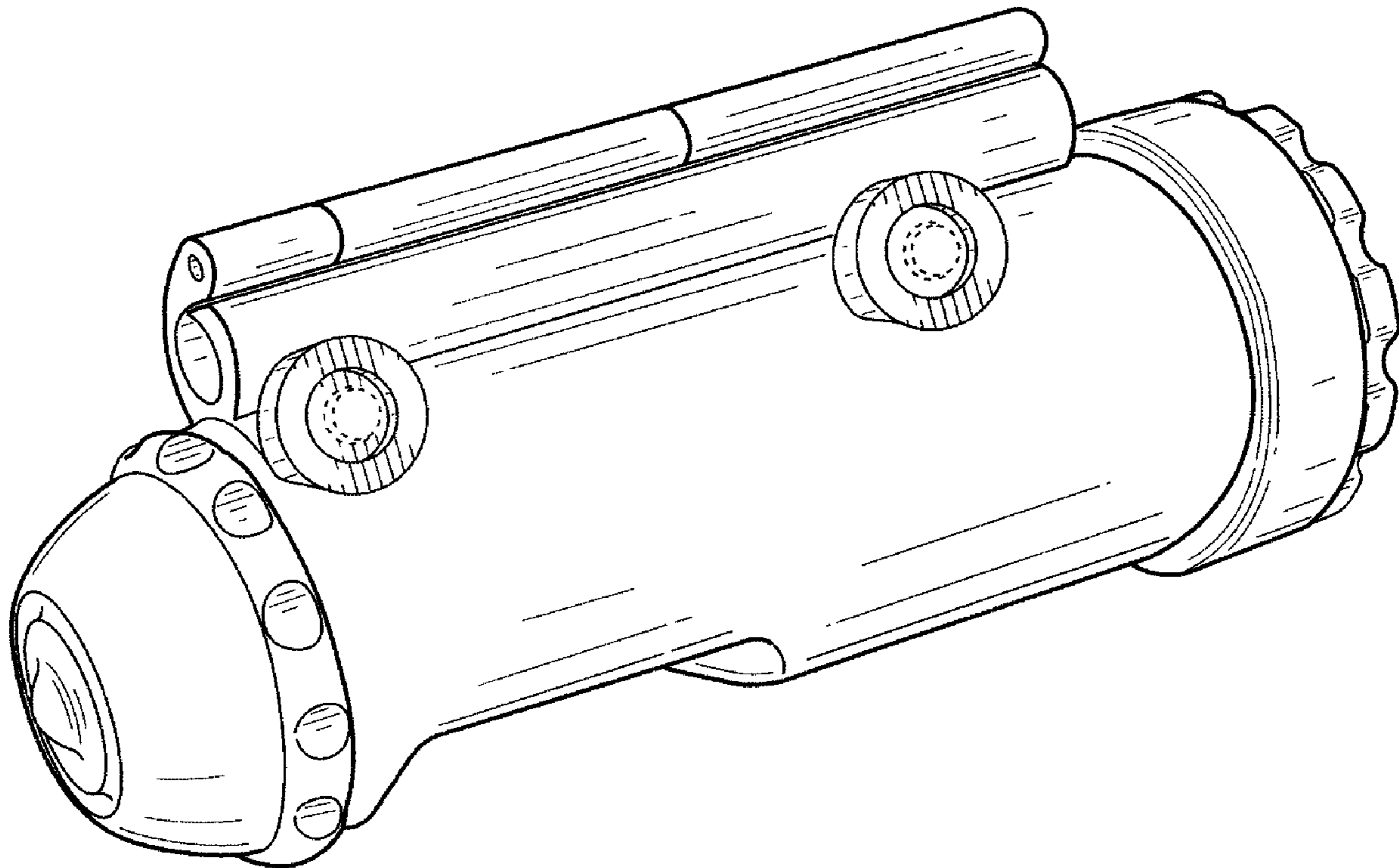
FIG. 6 is an end view thereof;

FIG. 7 is an end view thereof; and,

FIG. 8 is an environmental view of the instant invention.

The broken line showing of environment in FIG. 8 is included for the purpose of illustrating only and forms no part of the claimed design.

1 Claim, 8 Drawing Sheets



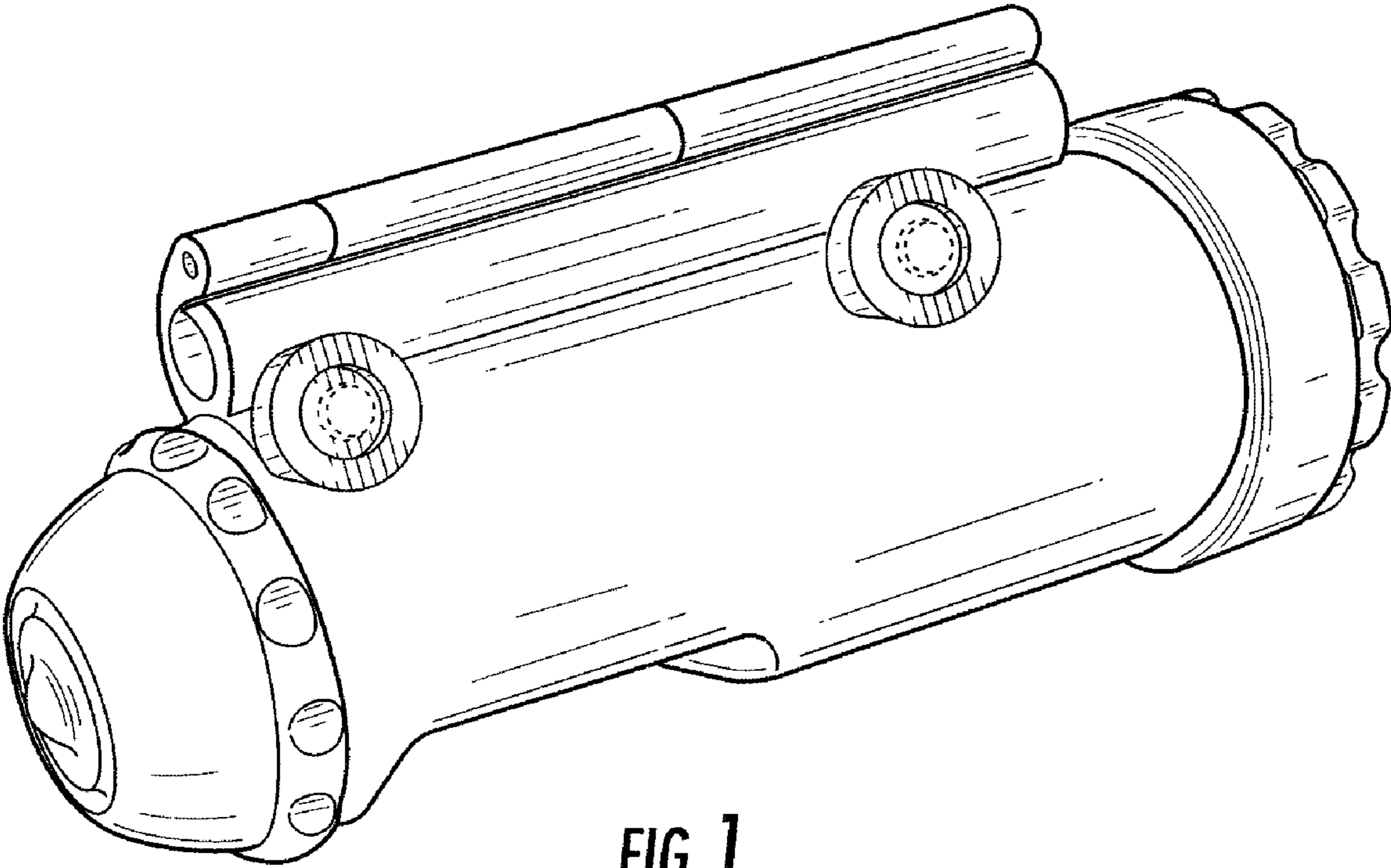


FIG. 1

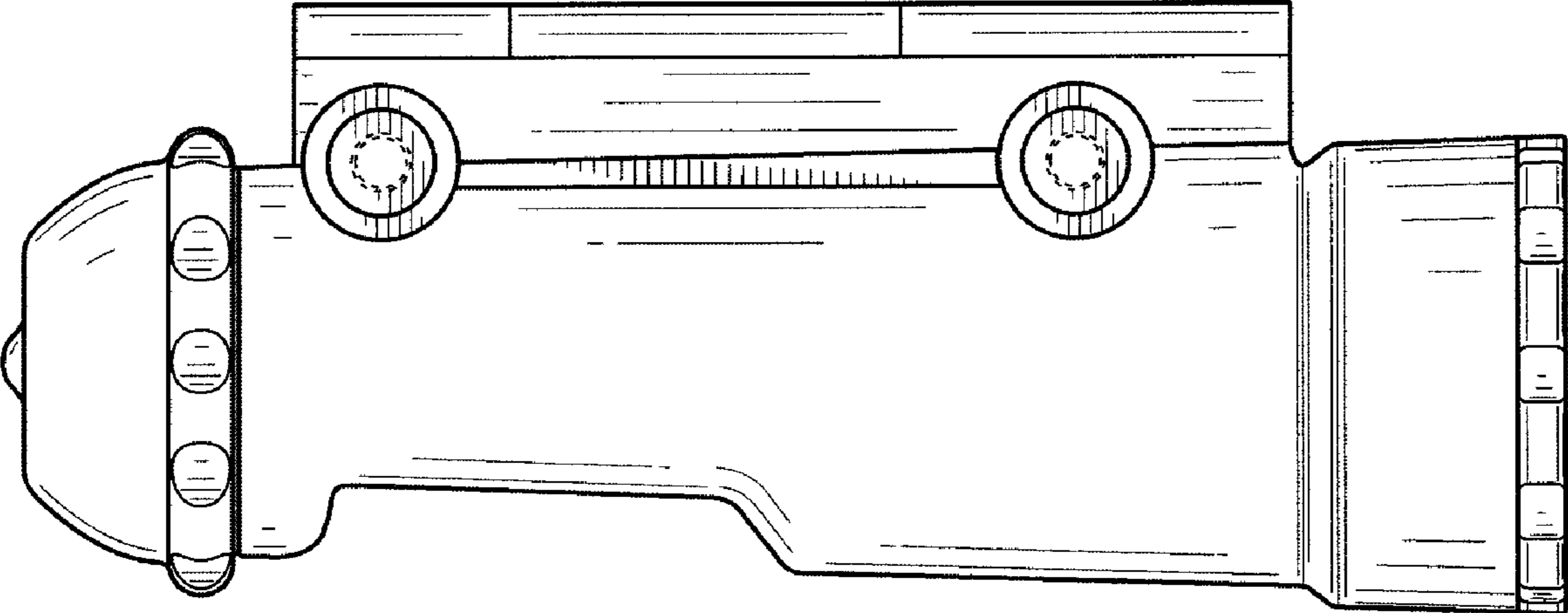


FIG. 2

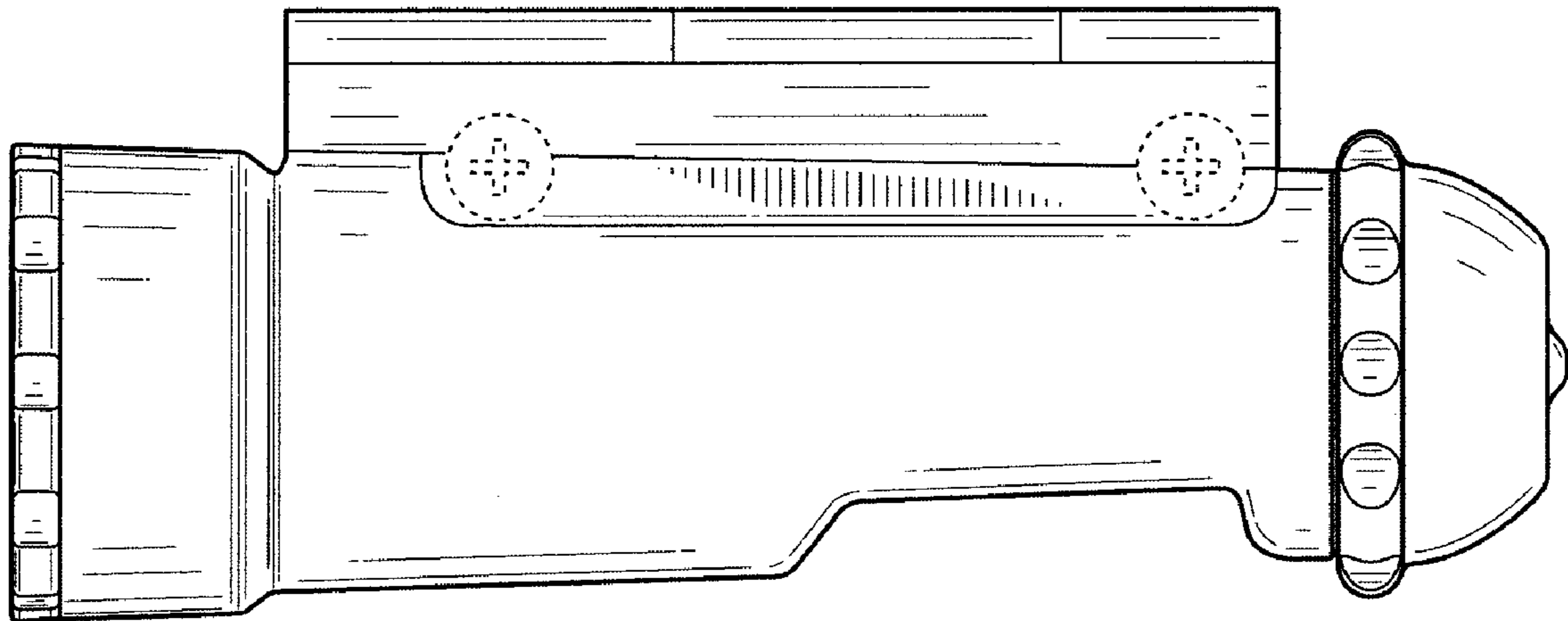


FIG. 3

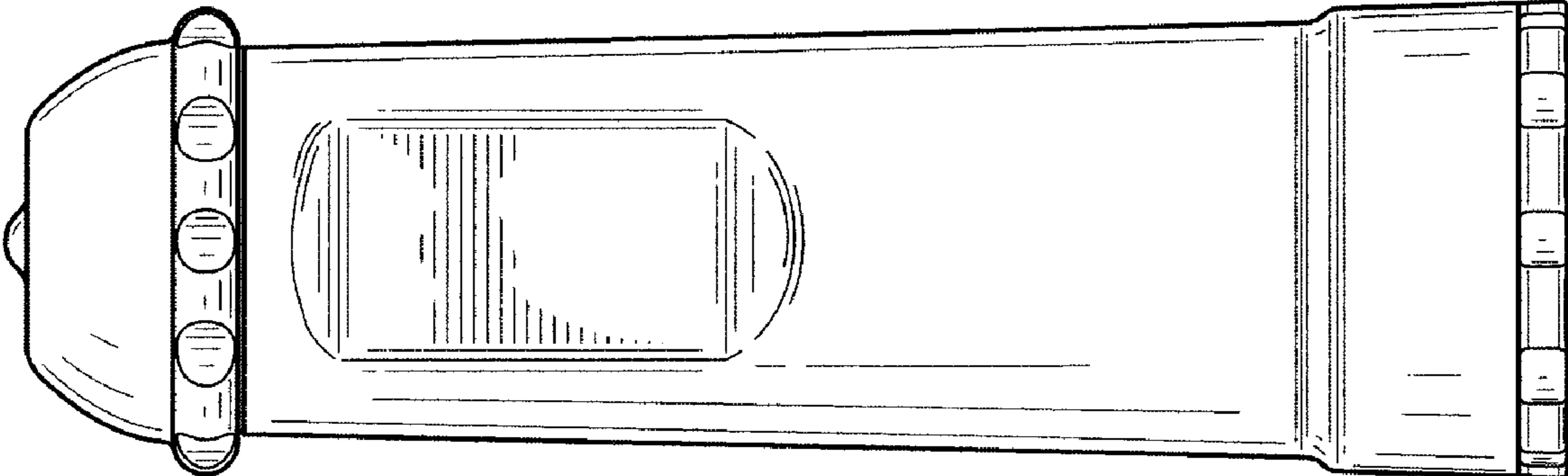


FIG. 4

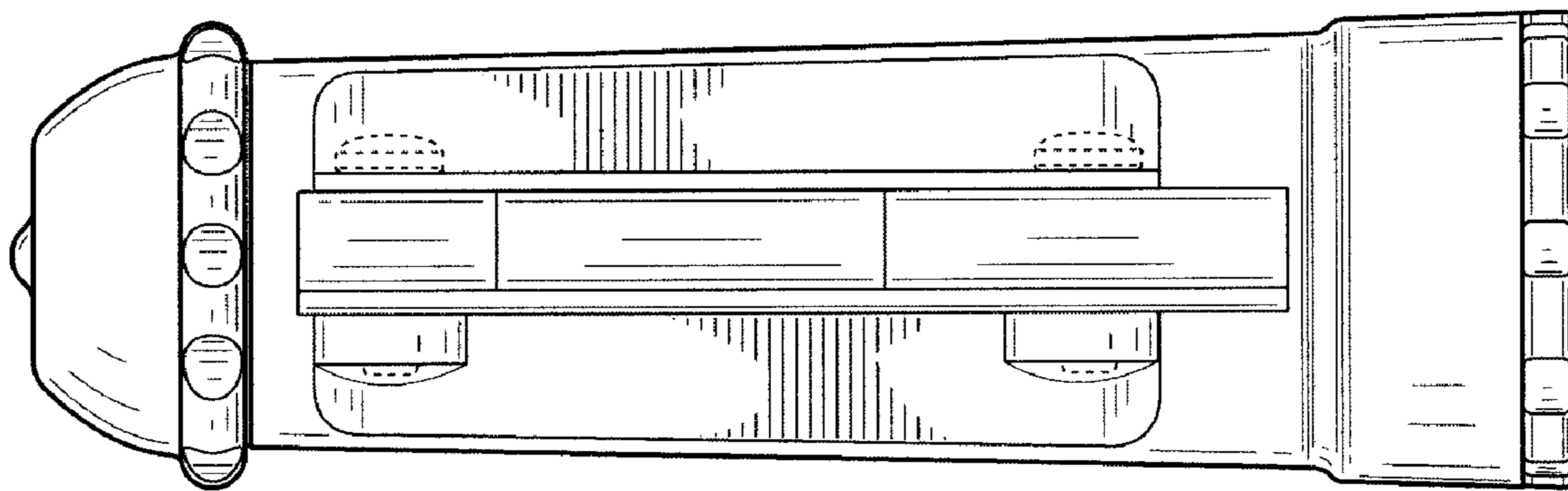


FIG. 5

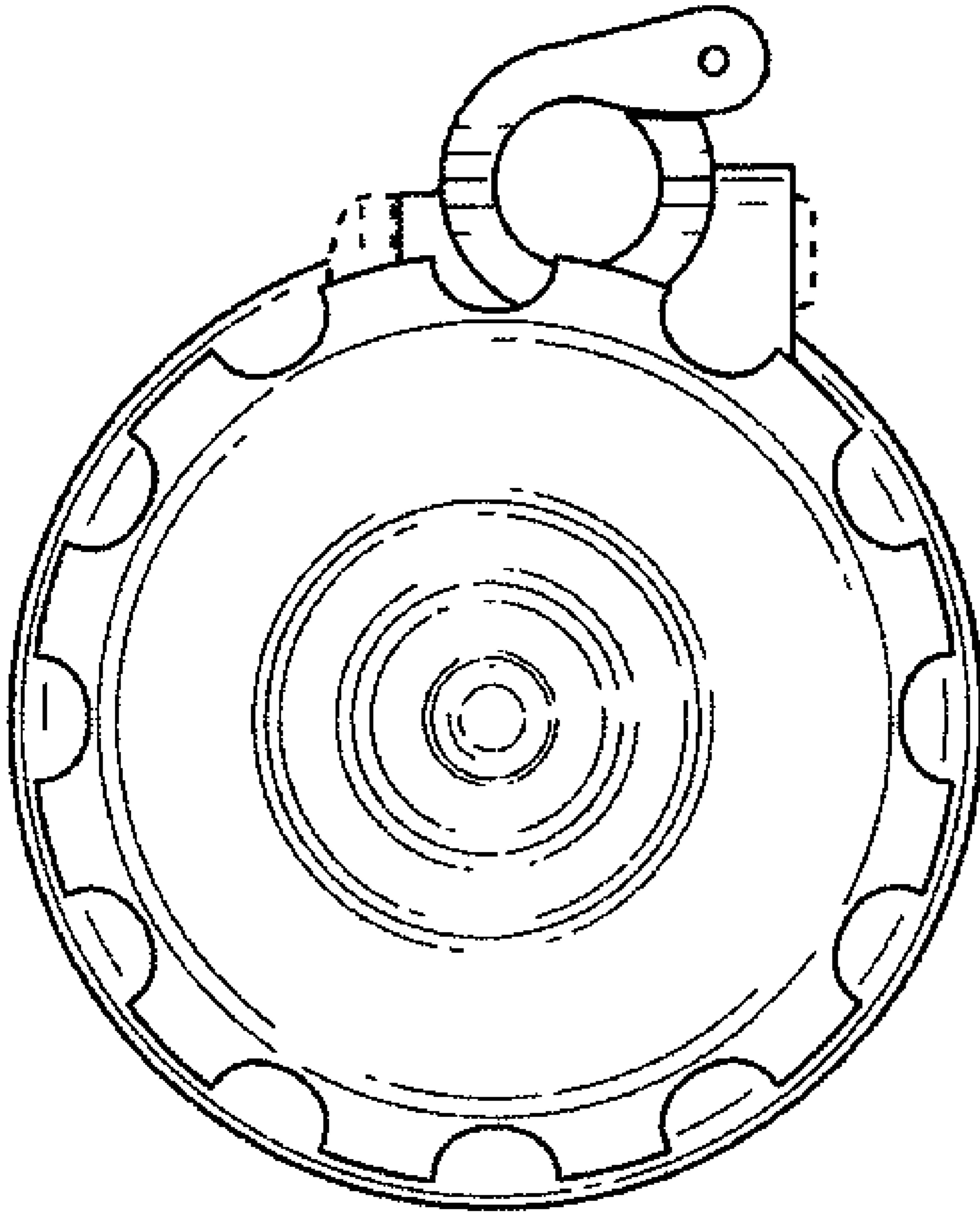


FIG. 6

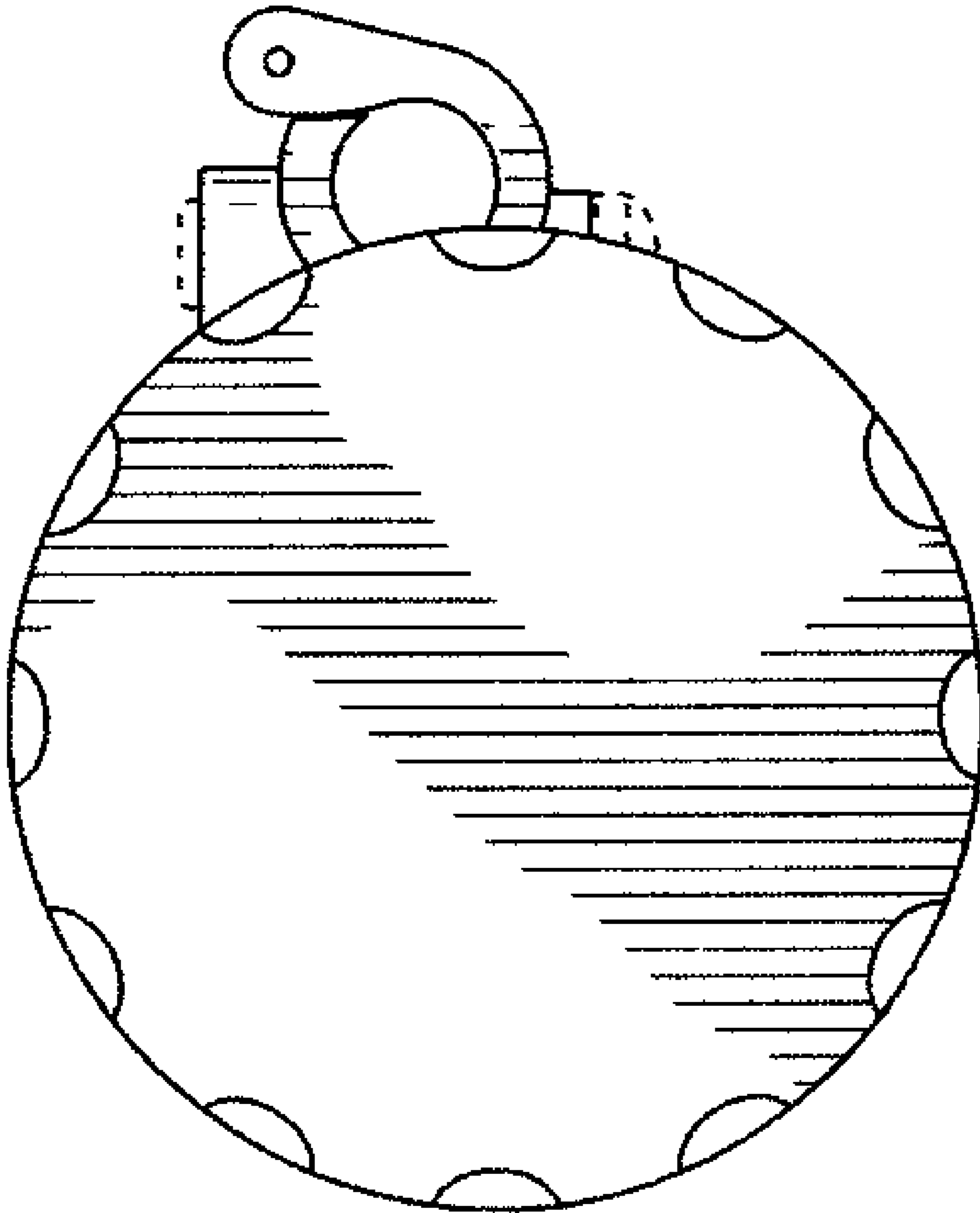


FIG. 7

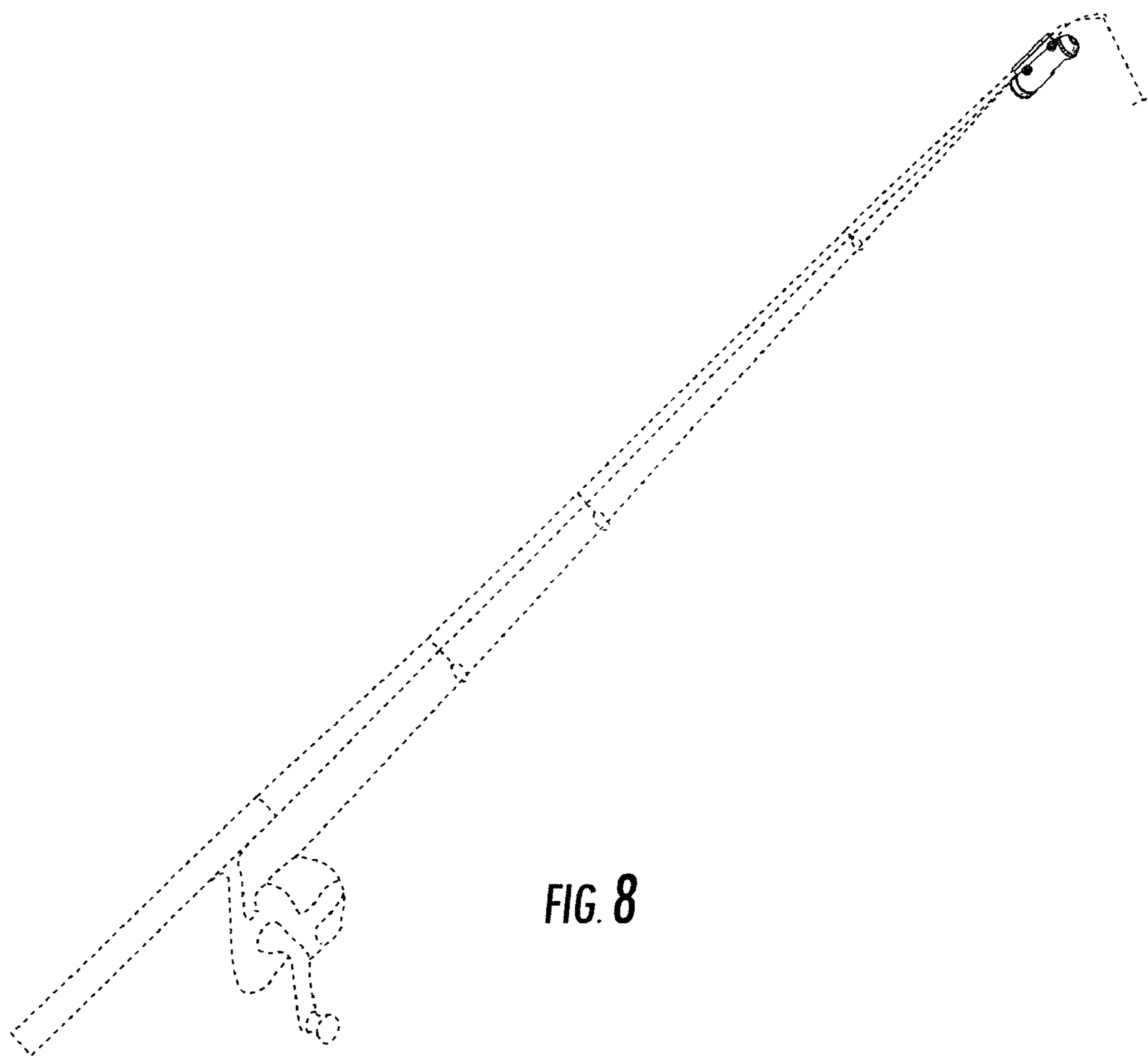


FIG. 8