



US00D620067S

(12) **United States Design Patent**  
**Saur**

(10) **Patent No.:** **US D620,067 S**  
(45) **Date of Patent:** **\*\* Jul. 20, 2010**

(54) **FIREARM BUTTSTOCK**

(75) Inventor: **Thomas W. Saur**, Dearborn, MI (US)

(73) Assignee: **The United States of America as represented by the Secretary of the Army**, Washington, DC (US)

(\*\*) Term: **14 Years**

(21) Appl. No.: **29/341,668**

(22) Filed: **Aug. 11, 2009**

(51) **LOC (9) Cl.** ..... **22-01**

(52) **U.S. Cl.** ..... **D22/108**

(58) **Field of Classification Search** ..... D22/100,  
D22/101, 103, 104, 108, 199; D21/572,  
D21/573; 42/51, 71.01, 75.01, 75.02, 90,  
42/94, 134, 136, 139, 125, 72, 111; 362/110;  
33/241, 277; 89/40.06, 41.19, 37.04, 33.04,  
89/191.01, 200-204; 124/67, 66, 74

See application file for complete search history.

(56) **References Cited**

**U.S. PATENT DOCUMENTS**

- 6,598,330 B2 \* 7/2003 Garrett et al. .... 42/85
- 6,637,141 B1 \* 10/2003 Weatherby et al. .... 42/75.03
- 7,162,823 B2 \* 1/2007 Schoppman et al. .... 42/75.01
- 2004/0000083 A1 \* 1/2004 Grant, Jr. .... 42/112
- 2005/0241206 A1 \* 11/2005 Teetzel et al. .... 42/72
- 2006/0026883 A1 \* 2/2006 Hochstrate et al. .... 42/75.01

2007/0199435 A1 \* 8/2007 Hochstrate et al. .... 89/191.02  
\* cited by examiner

*Primary Examiner*—T. Chase Nelson  
*Assistant Examiner*—Michael A Pratt  
(74) *Attorney, Agent, or Firm*—Michael C. Sachs

(57) **CLAIM**

The ornamental design for a firearm buttstock, as shown.

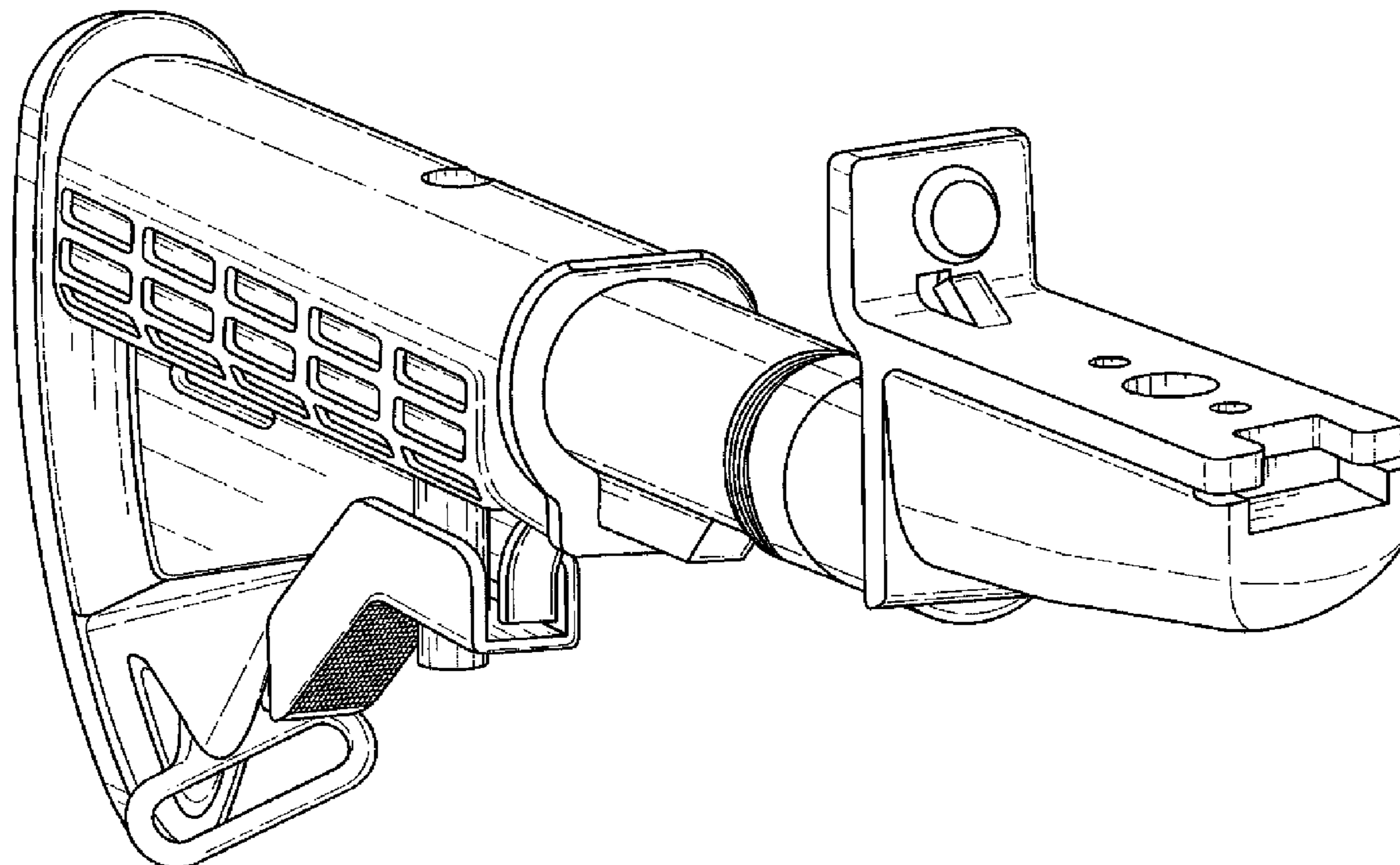
**DESCRIPTION**

The invention described herein may be made or used by or for the U.S. Government for U.S. Government purposes.

FIG. 1 is a front isometric view of a firearm buttstock;  
 FIG. 2 is a left side elevation view of the firearm buttstock (the right side elevation view being a mirror of the left and is not illustrated);  
 FIG. 3 is a top plan view of the firearm buttstock;  
 FIG. 4 is a bottom plan view of the firearm buttstock;  
 FIG. 5 is a front elevation view of the firearm buttstock;  
 FIG. 6 is a rear elevation view of the firearm buttstock; and,  
 FIG. 7 is a rear isometric view of the firearm buttstock, wherein the firearm buttstock in a typical environment is illustrated.

Views are orthogonal projections unless otherwise noted. The broken line showing of FIGS. 4 and 7 is included for the purpose of illustrating environment and forms no part of the claimed design.

**1 Claim, 5 Drawing Sheets**



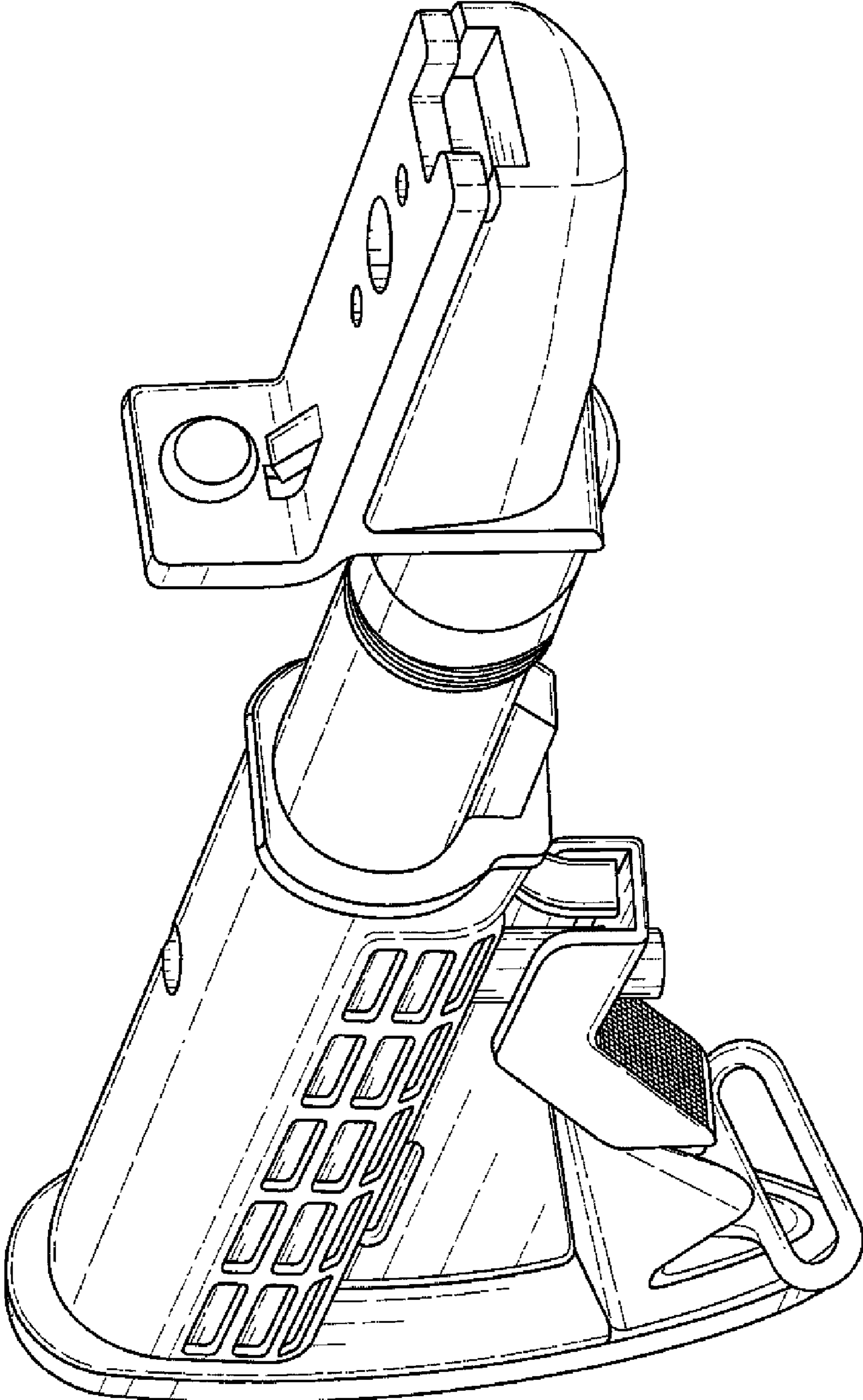


Fig. 1

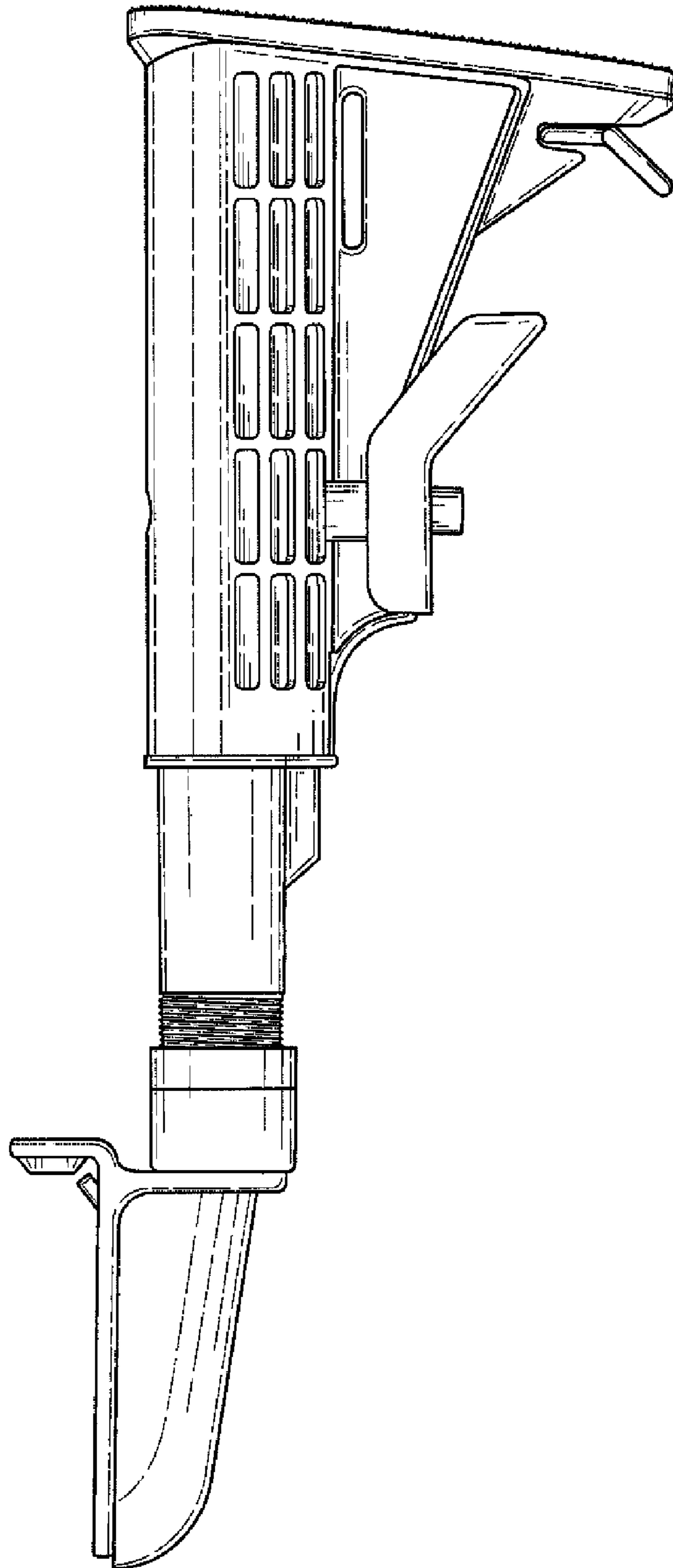


Fig. 2

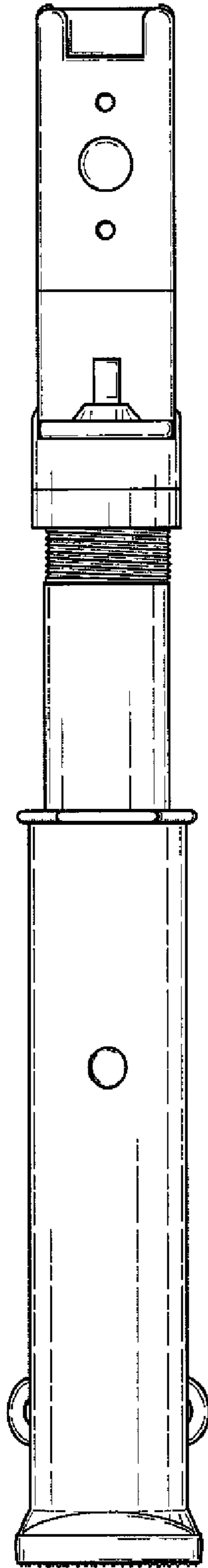


Fig. 3

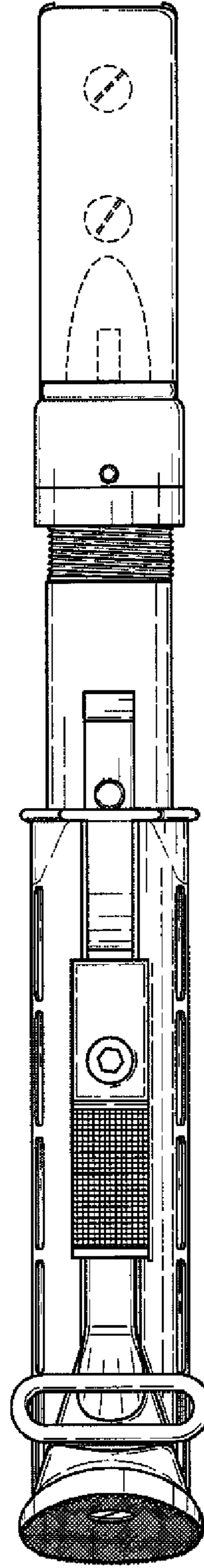


Fig. 4

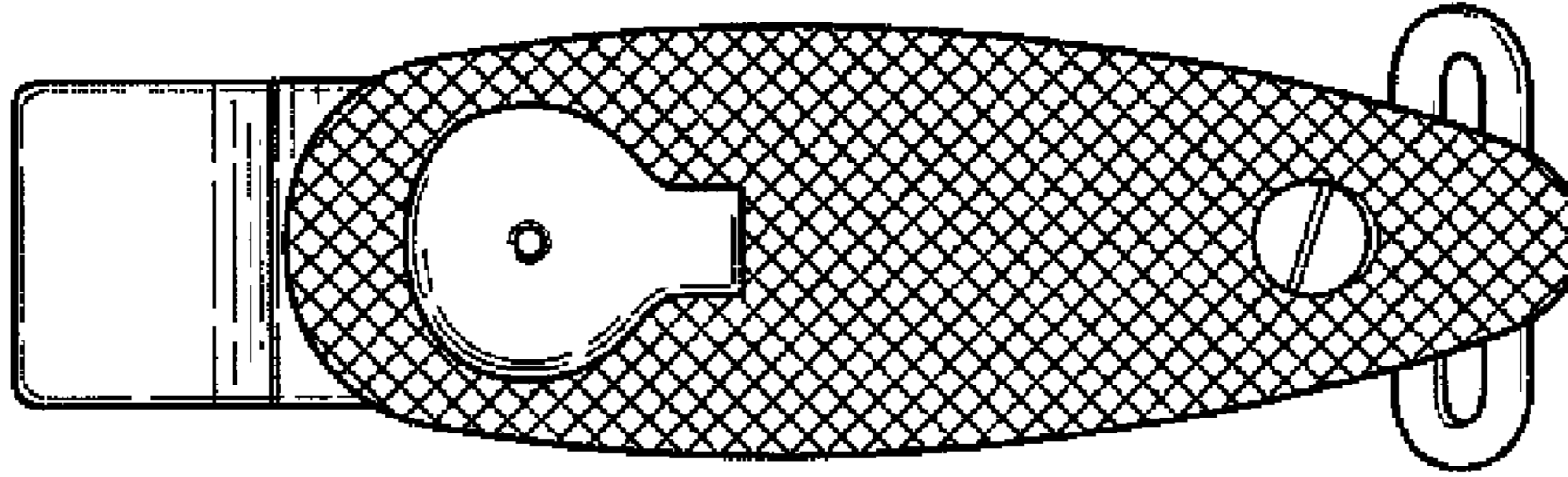


Fig. 6

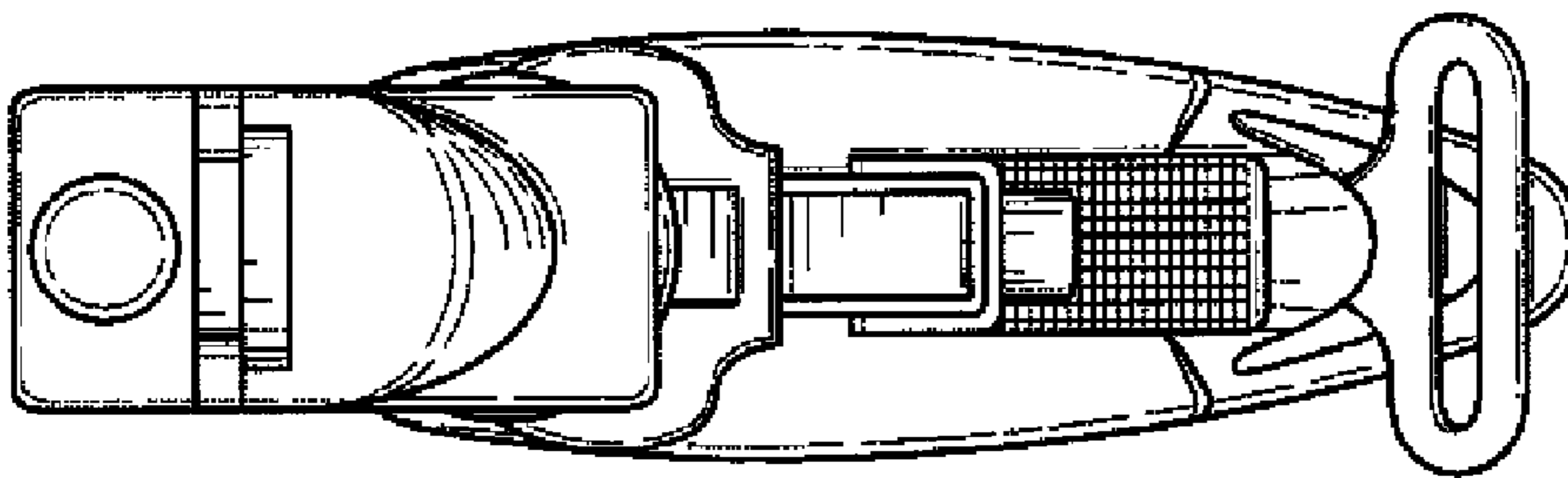


Fig. 5

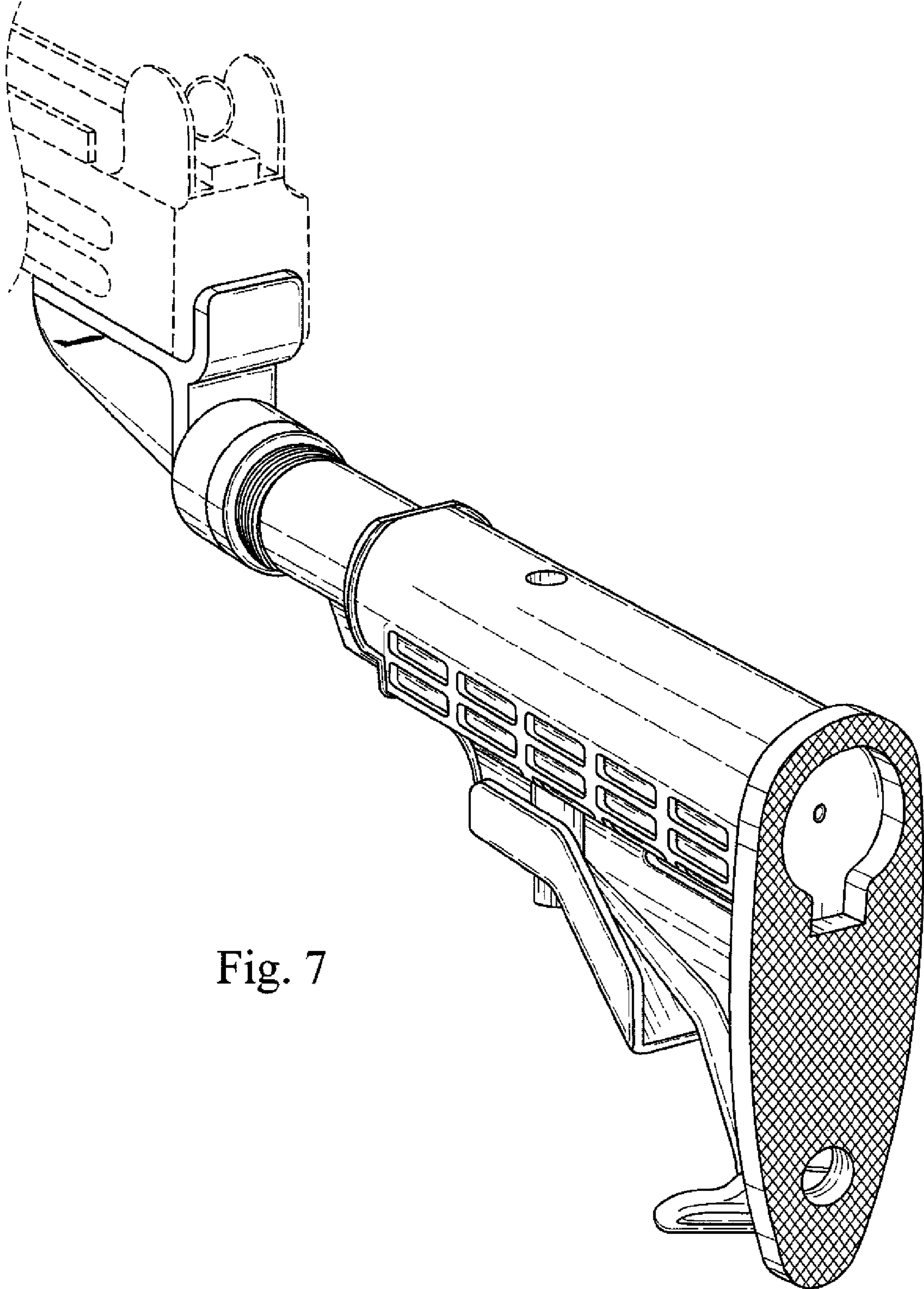


Fig. 7