



US00D620065S

(12) **United States Design Patent**
Michel

(10) **Patent No.:** **US D620,065 S**
(45) **Date of Patent:** **** Jul. 20, 2010**

(54) **SAND AND WATER BOX**

(57) **CLAIM**

(75) Inventor: **Betty Michel**, Mortagne sur Sevre (FR)

I claim the ornamental design for the sand and water box, as shown and described.

(73) Assignee: **Wesco Company**, Cerizay (FR)

(**) Term: **14 Years**

DESCRIPTION

(21) Appl. No.: **29/340,252**

FIG. 1 is a perspective of a sand and water box;
FIG. 2 is an exploded perspective view of the sand and water box, including a container and lid;

(22) Filed: **Jul. 15, 2009**

FIG. 3 is a top plan view of the container of the sand and water box;

(51) **LOC (9) Cl.** **21-03**

FIG. 4 is a bottom plan view of the container of the sand and water box;

(52) **U.S. Cl.** **D21/815**

FIG. 5 is a left elevation view of the container of the sand and water box, the right side of which is a mirror image;

(58) **Field of Classification Search** D21/811,
D21/814-816; 472/126

FIG. 6 is a front elevation view of the container of the sand and water box, the rear of which is a mirror image;

See application file for complete search history.

FIG. 7 is a top plan view of the lid of the sand and water box;

(56) **References Cited**

U.S. PATENT DOCUMENTS

- D308,088 S * 5/1990 Mariol D21/815
- D334,789 S * 4/1993 Fish, Jr. D21/815
- D592,726 S * 5/2009 Auberger D21/815

FIG. 8 is a bottom plan view of the lid of the sand and water box;

FIG. 9 is a right elevation view of the lid of the sand and water box;

* cited by examiner

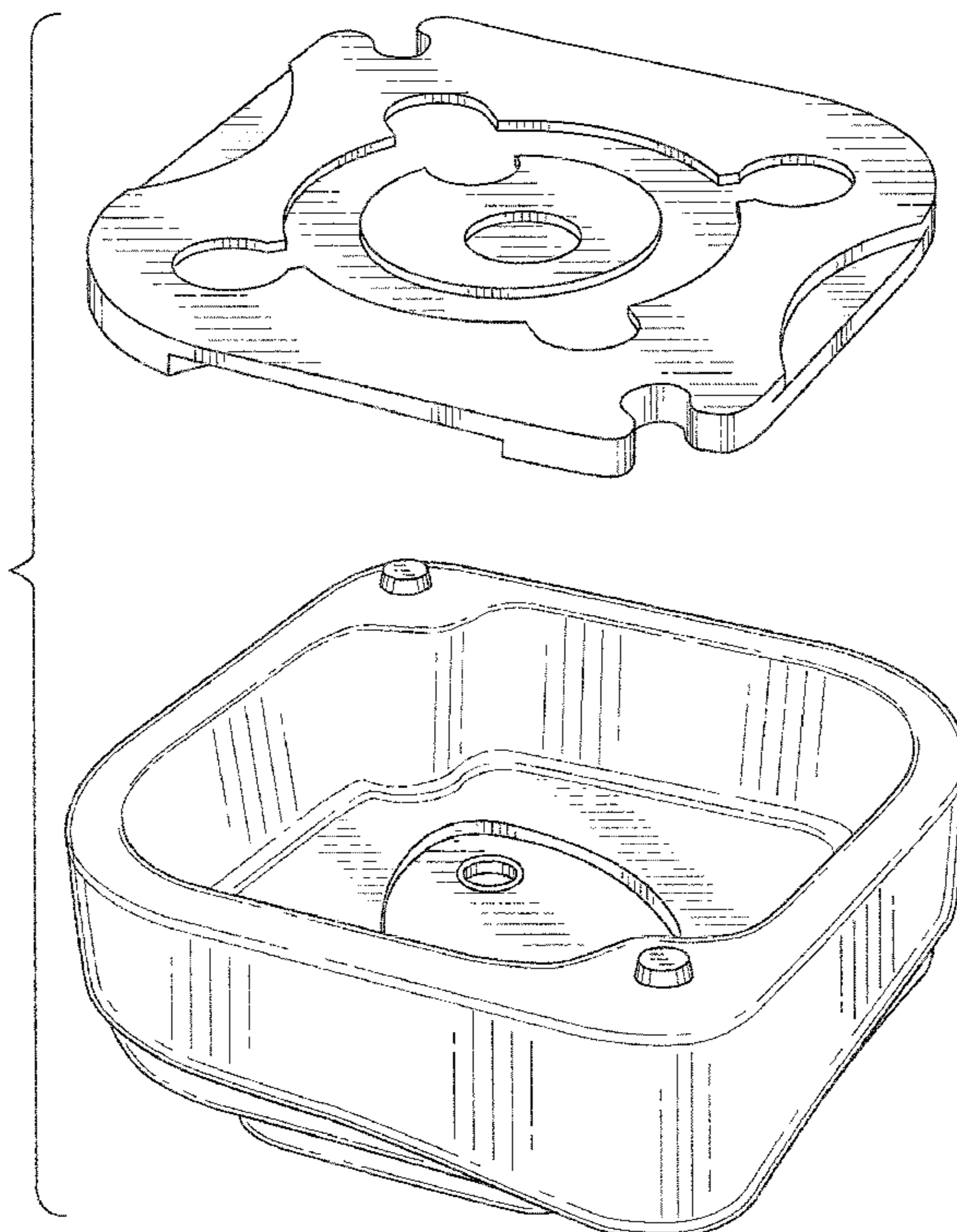
Primary Examiner—Mitchell I Siegel
(74) *Attorney, Agent, or Firm*—Vic Lin

FIG. 10 is a left elevation view of the lid of the sand and water box;

FIG. 11 is a front elevation view of the lid of the sand and water box; and,

FIG. 12 is a rear elevation view of the lid of the sand and water box.

1 Claim, 8 Drawing Sheets



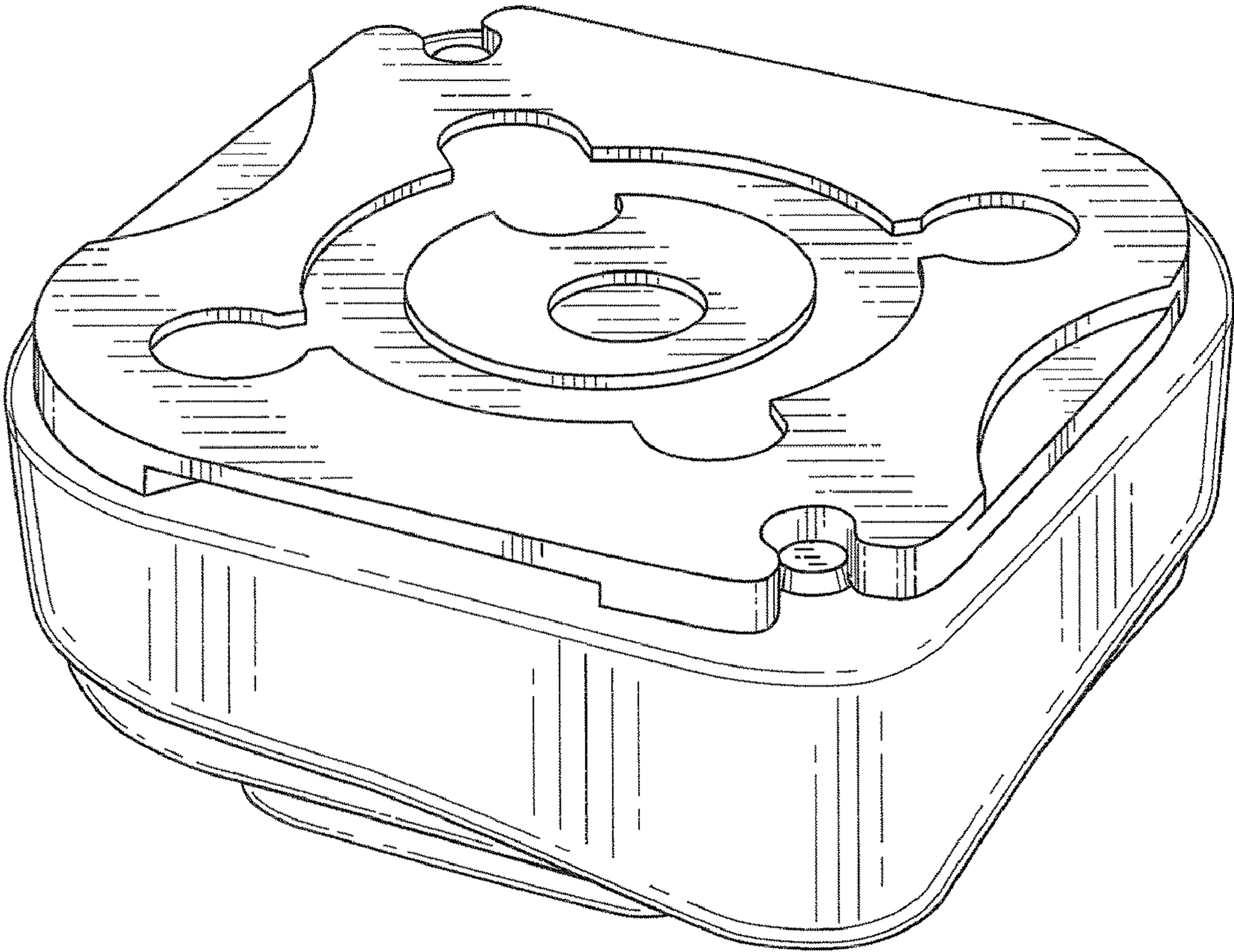


FIG. 1

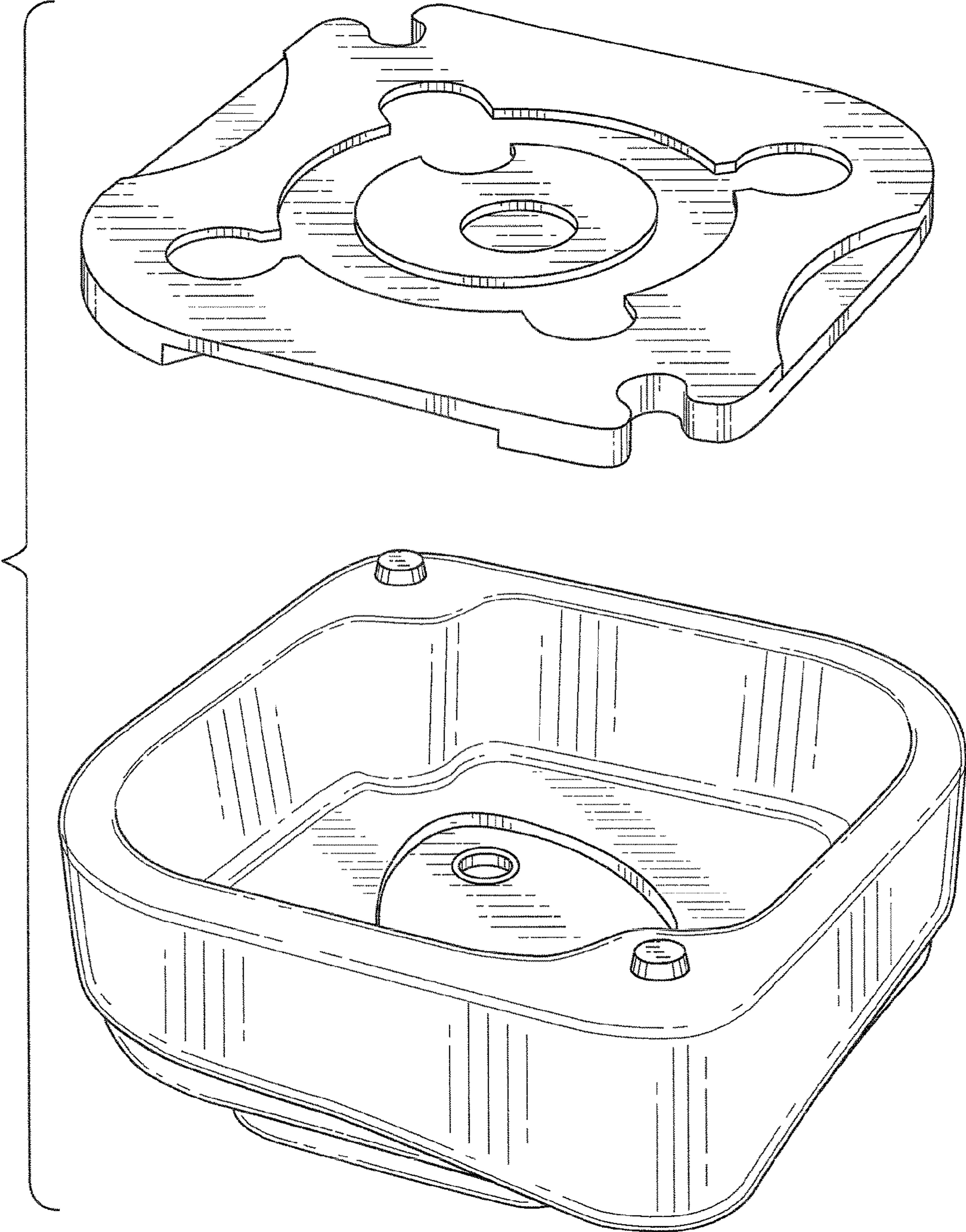


FIG. 2

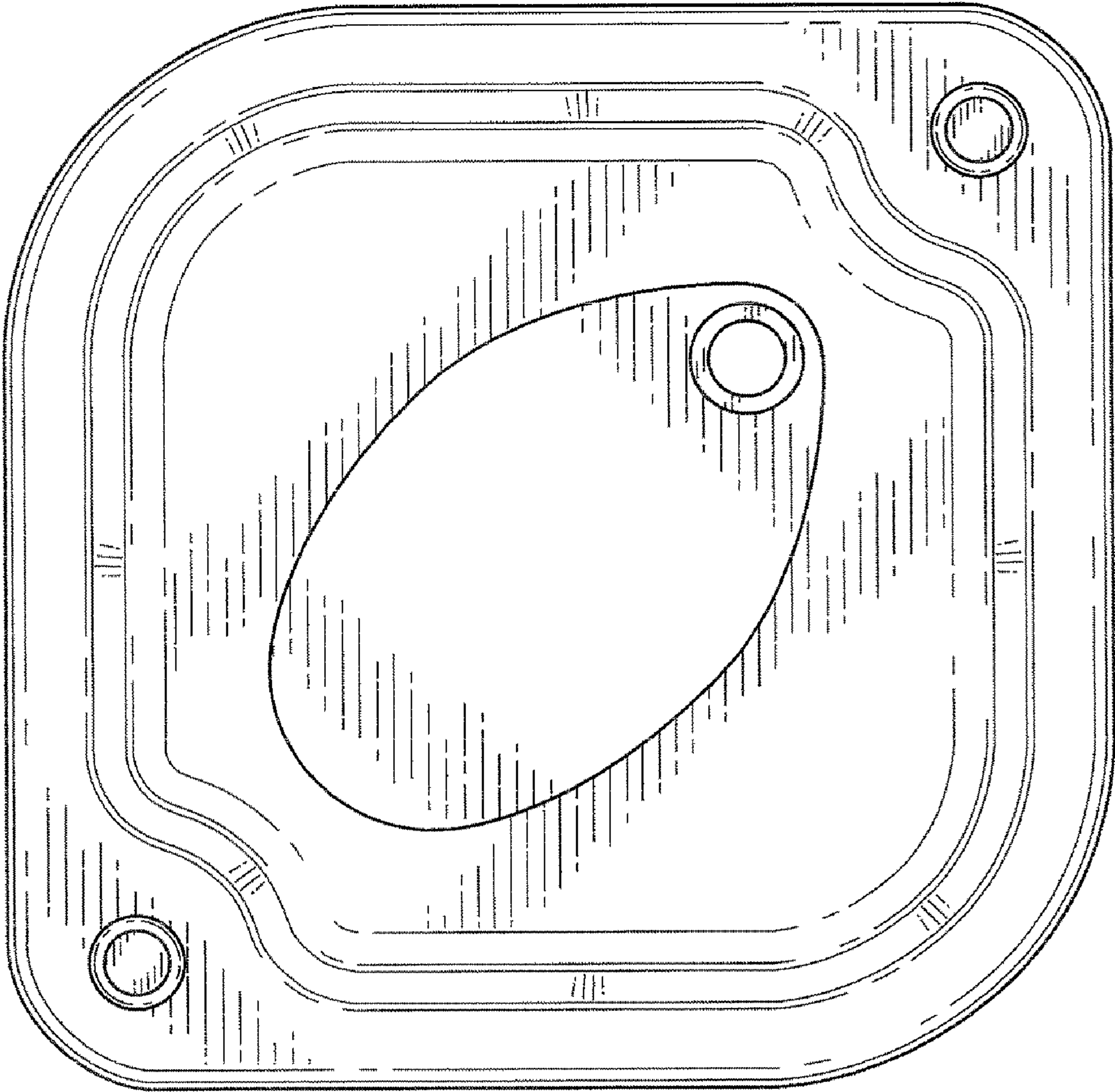


FIG. 3

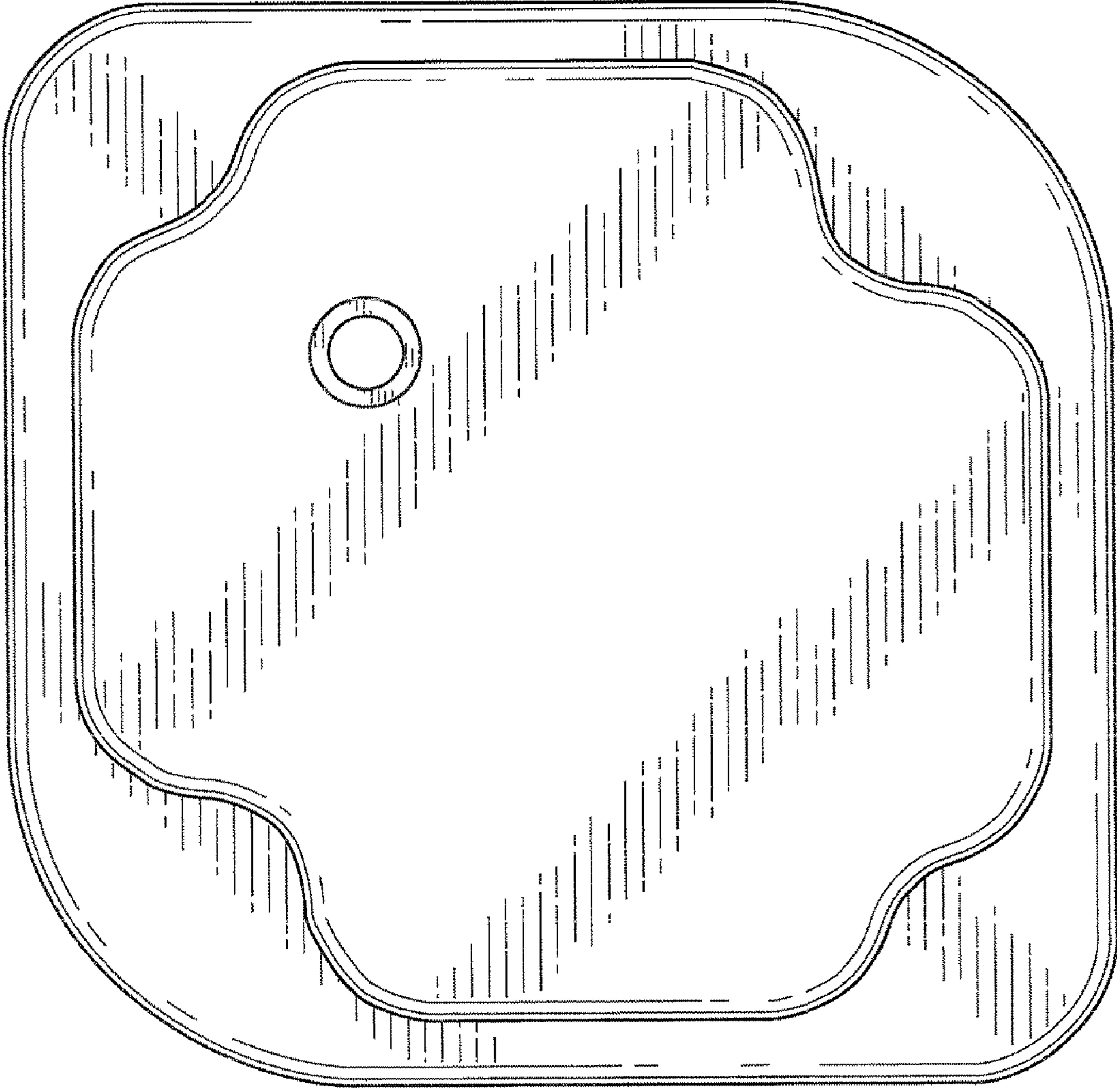


FIG. 4

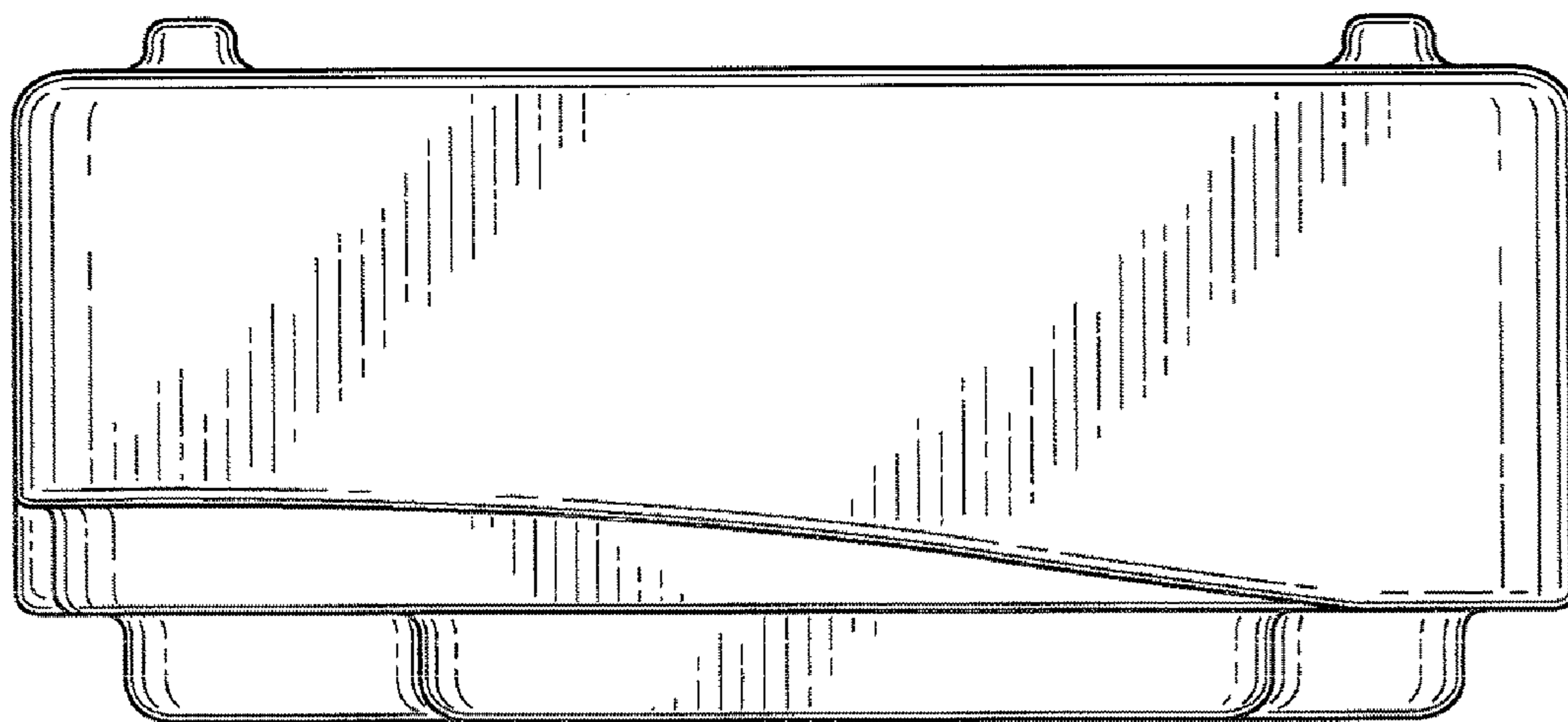


FIG. 5

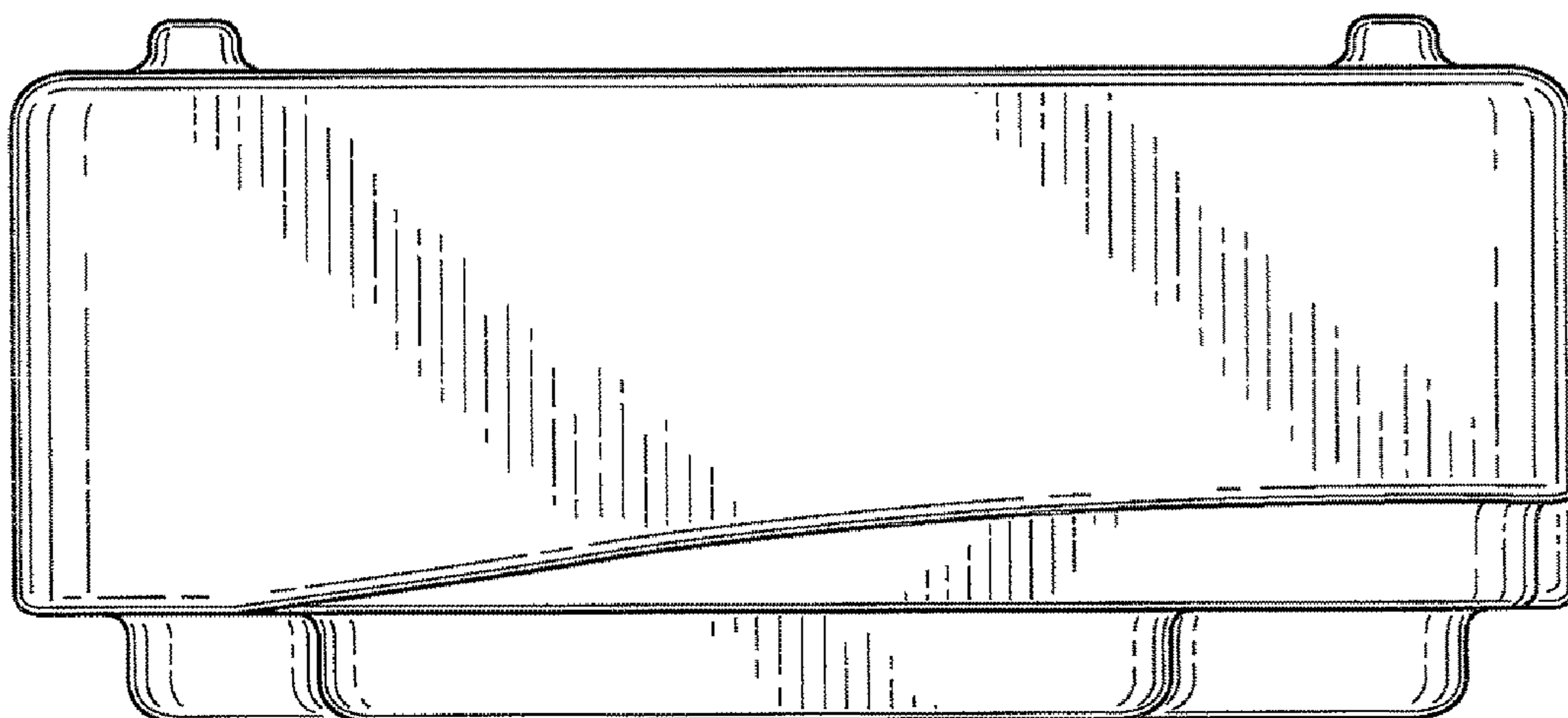


FIG. 6

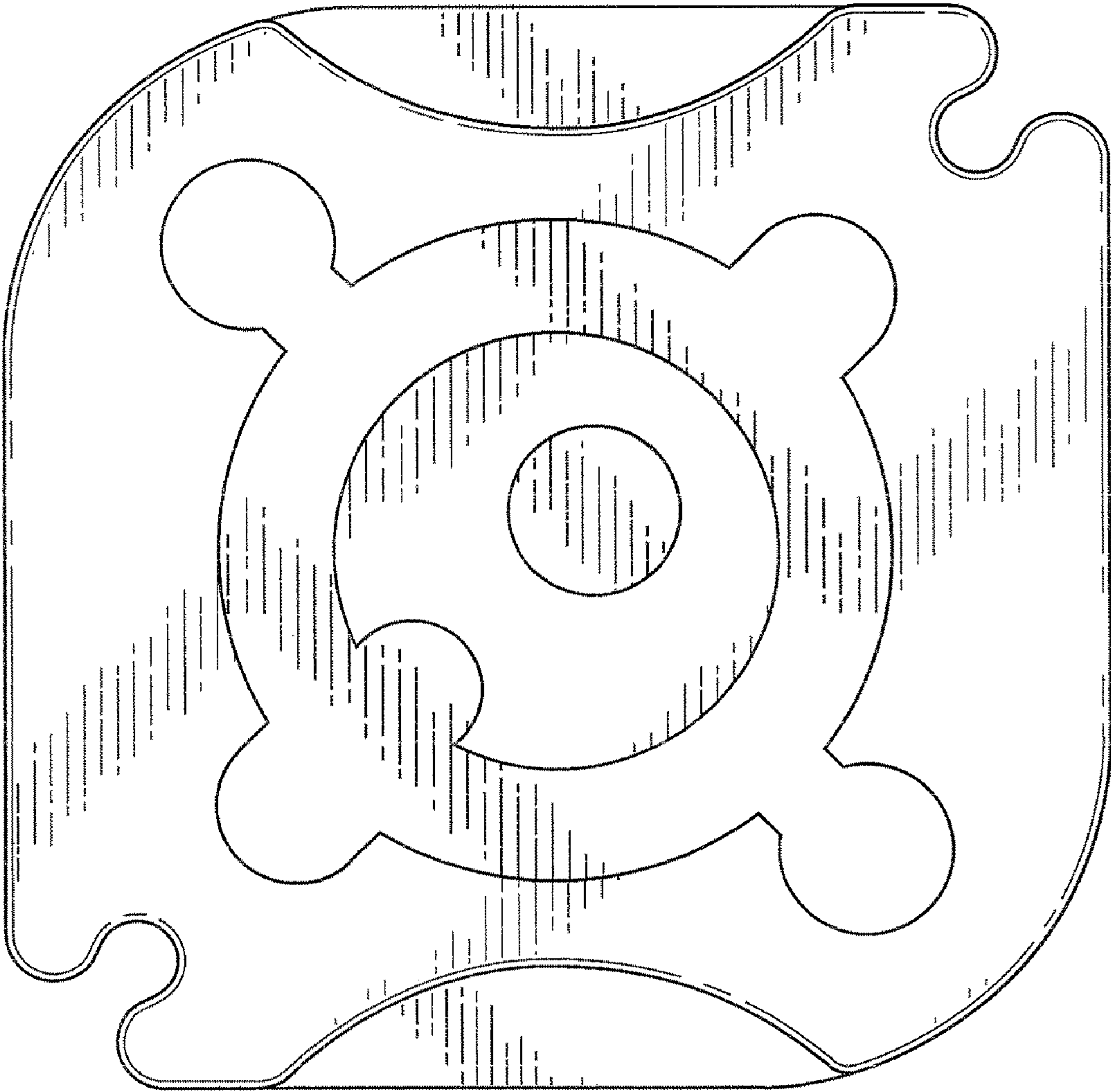


FIG. 7

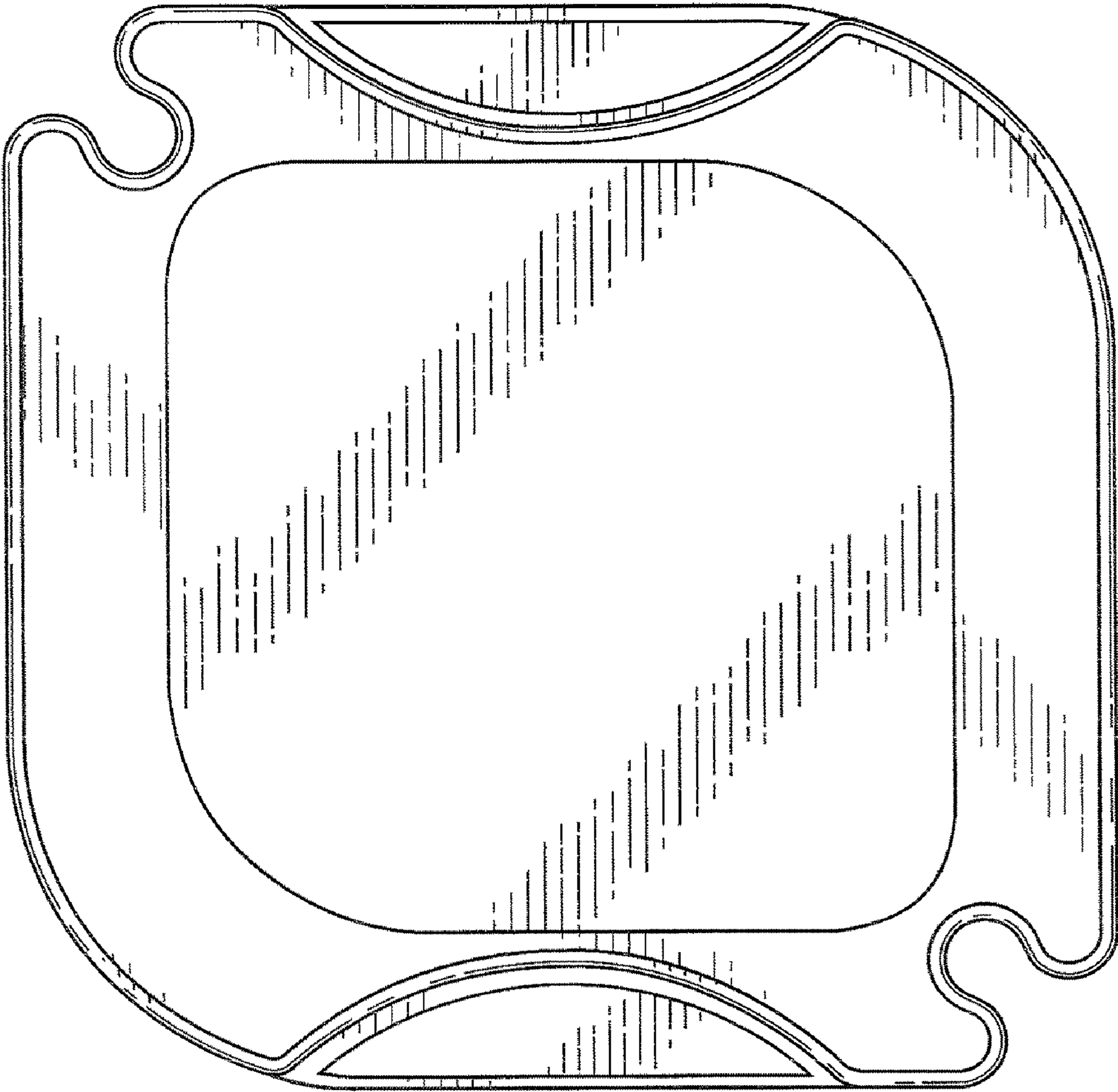


FIG. 8

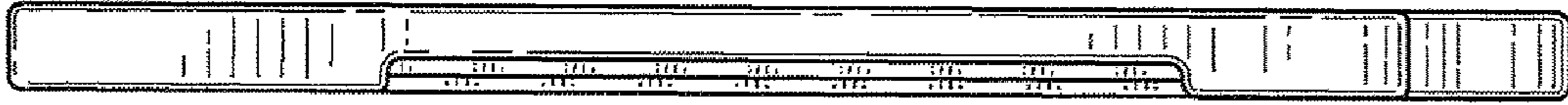


FIG. 9

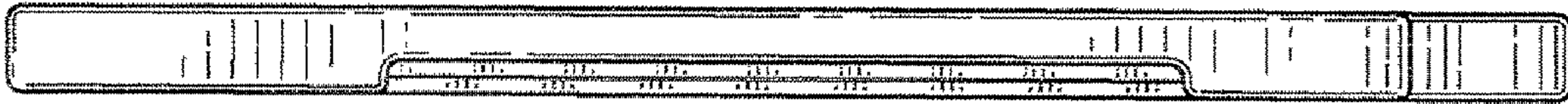


FIG. 10



FIG. 11

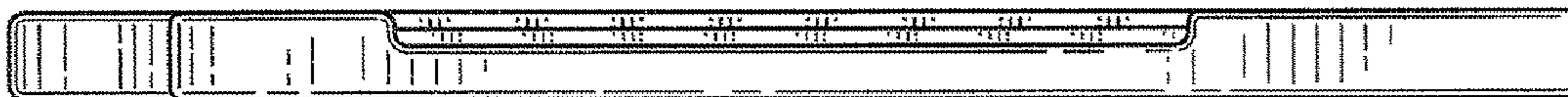


FIG. 12