



US00D620064S

(12) **United States Design Patent**  
**McIntyre**

(10) **Patent No.:** **US D620,064 S**  
(45) **Date of Patent:** **\*\* Jul. 20, 2010**

(54) **BASEBALL STANCE AND ROTATIONAL SWING TRAINER**

(76) Inventor: **Matthew S. McIntyre**, 131 Amber Trace, Trussville, AL (US) 35173

(\*\*) Term: **14 Years**

(21) Appl. No.: **29/334,792**

(22) Filed: **Apr. 1, 2009**

(51) **LOC (9) Cl.** ..... **21-02**

(52) **U.S. Cl.** ..... **D21/780**

(58) **Field of Classification Search** ..... D21/698, D21/706, 780; 473/415-504; 434/247, 252  
See application file for complete search history.

(56) **References Cited**

**U.S. PATENT DOCUMENTS**

2,189,613	A	2/1940	Paulsen	
2,711,320	A *	6/1955	Clark	473/270
3,342,487	A	9/1967	David	
3,363,903	A	1/1968	O'Brien	
3,955,821	A	5/1976	Spedding	
3,979,116	A	9/1976	Matchick	
4,023,810	A	5/1977	Lorang	
4,146,231	A	3/1979	Merkle et al.	
4,194,735	A	3/1980	Wilson	
4,225,133	A	9/1980	Kiray	
4,516,772	A	5/1985	Stratton	
4,657,258	A	4/1987	Melov et al.	
4,932,656	A *	6/1990	Pierce	473/452
5,037,094	A	8/1991	Johnson	
5,076,580	A	12/1991	Lang	
5,263,863	A	11/1993	Stefani et al.	
5,318,290	A	6/1994	Sawyer	

5,330,176	A	7/1994	Cagney, Jr.	
5,385,343	A	1/1995	Davis, Sr.	
D399,280	S *	10/1998	Griffin	D21/753
6,102,818	A	8/2000	Hamilton	
6,422,872	B1 *	7/2002	Outlaw	434/247
6,500,078	B1 *	12/2002	Williams et al.	473/452
6,723,004	B1	4/2004	Florian	
6,926,625	B1 *	8/2005	Fruechting	473/452
7,125,350	B1	10/2006	Reason-Kerkhoff	
7,335,117	B2	2/2008	Reason-Kerkhoff	
7,468,010	B2	12/2008	Du Brock	
2006/0142099	A1 *	6/2006	Trucks	473/452

**OTHER PUBLICATIONS**

Schutt Stride Guide Baseball Stance Trainer, MSN Shopping, fogdog sports, 2 pages, printed on Mar. 14, 2005.

\* cited by examiner

*Primary Examiner*—Catherine Tuttle

(74) *Attorney, Agent, or Firm*—Angela Holt; Lanier Ford Shaver & Payne P.C.

(57) **CLAIM**

I claim the ornamental design for a baseball stance and rotational swing trainer, as shown and described.

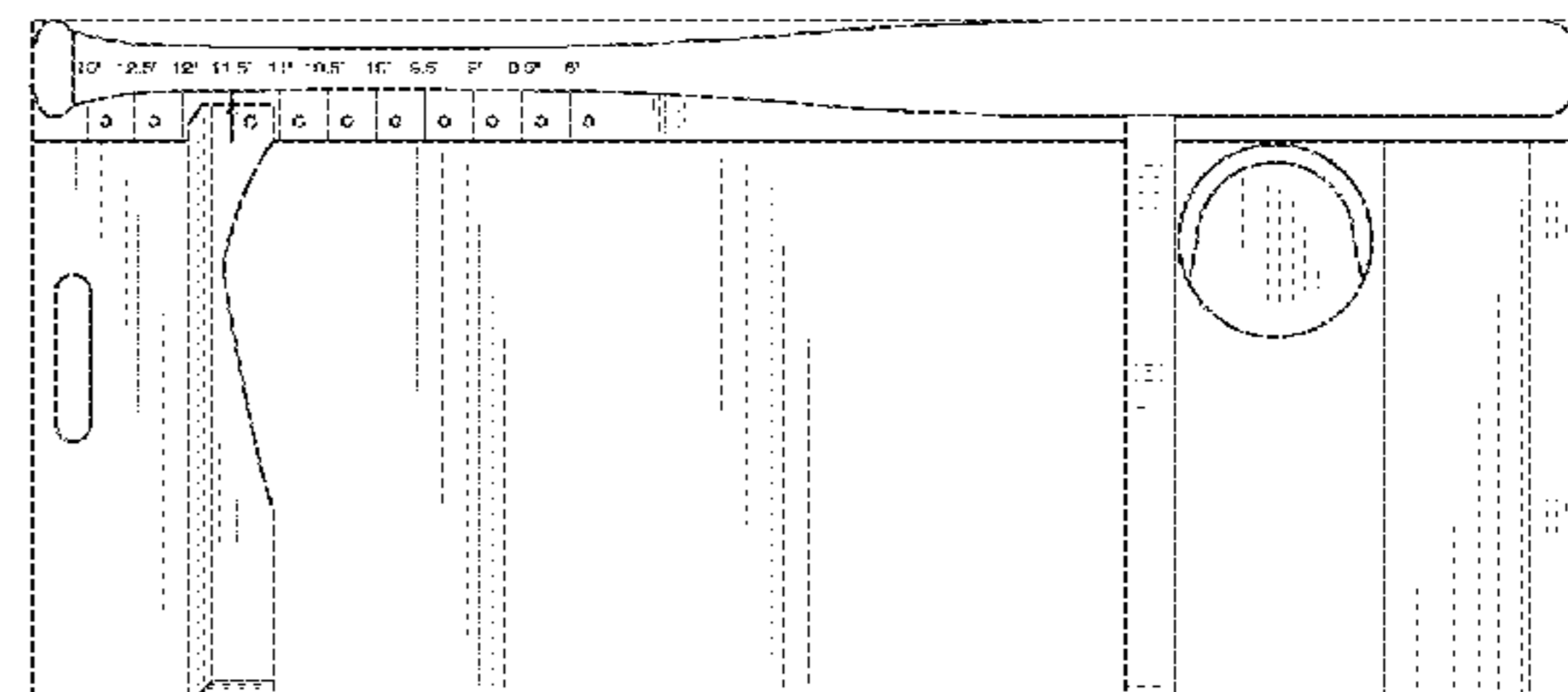
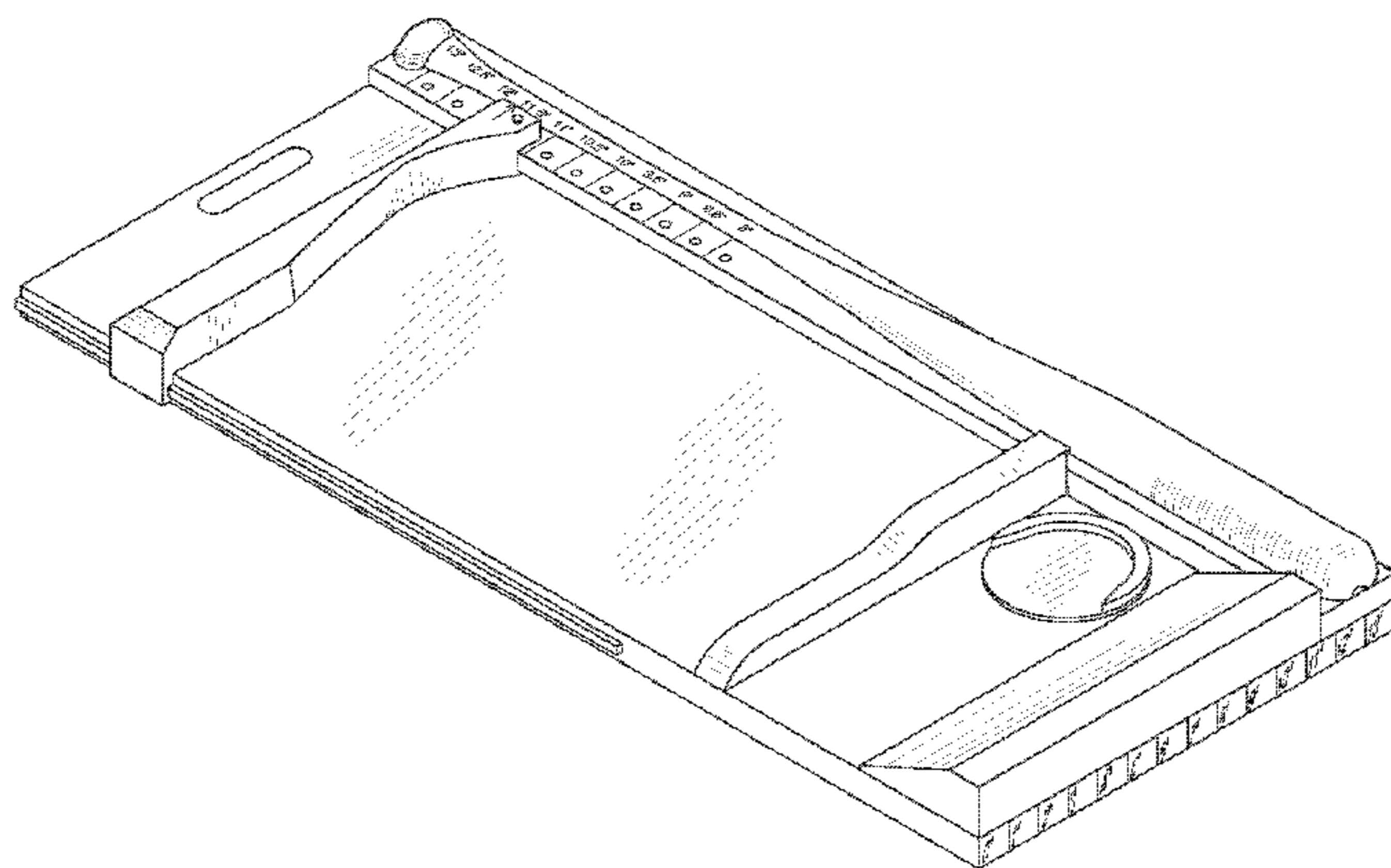
**DESCRIPTION**

FIG. 1 is top perspective view of a baseball stance and rotational swing trainer showing my new design; and,

FIG. 2 is a top plan view of the baseball stance and rotational swing trainer of FIG. 1.

The appearance within the unshaded oblong shaped area of FIGS. 1 and 2 forms no part of the claimed design.

**1 Claim, 2 Drawing Sheets**



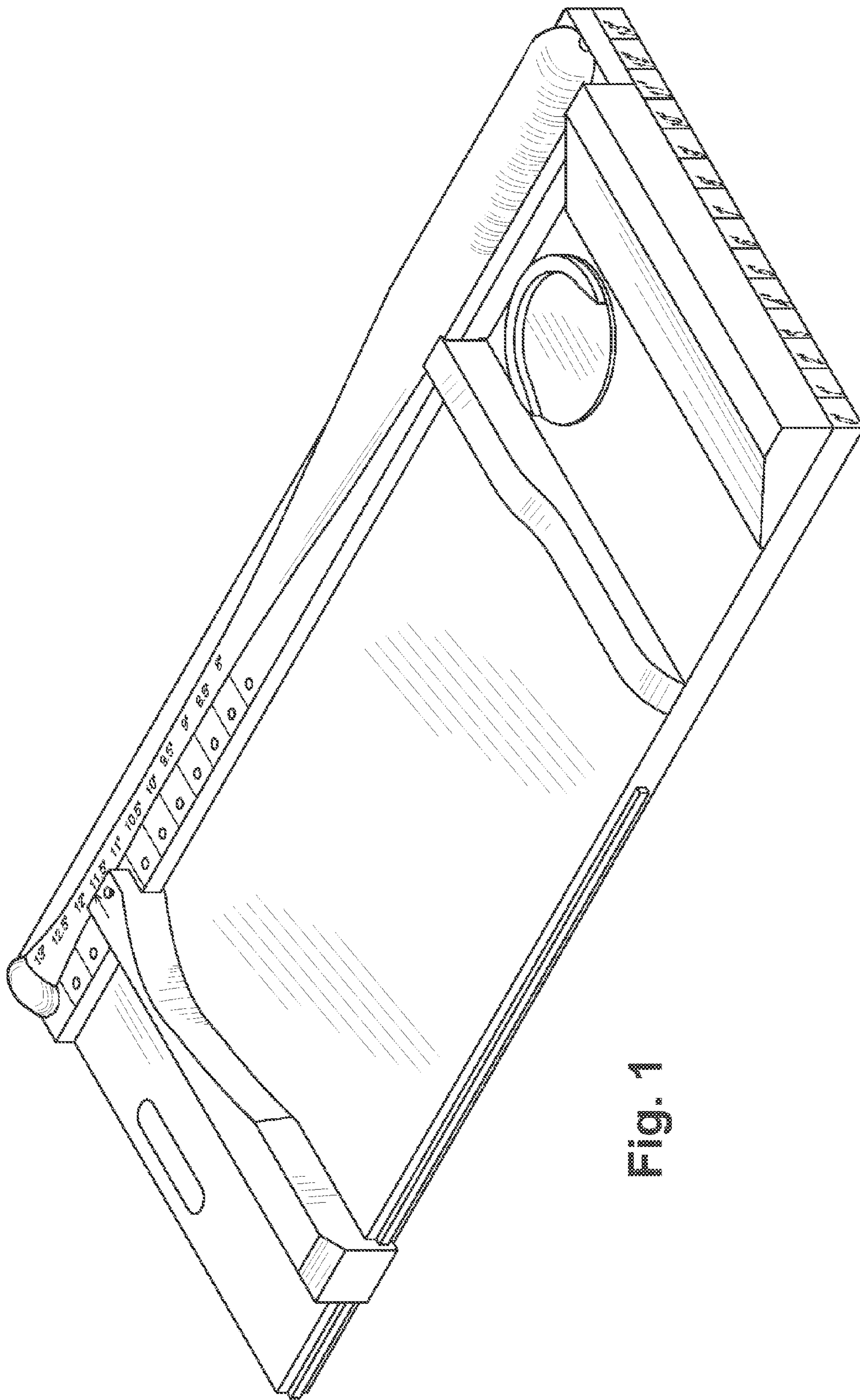


Fig. 1

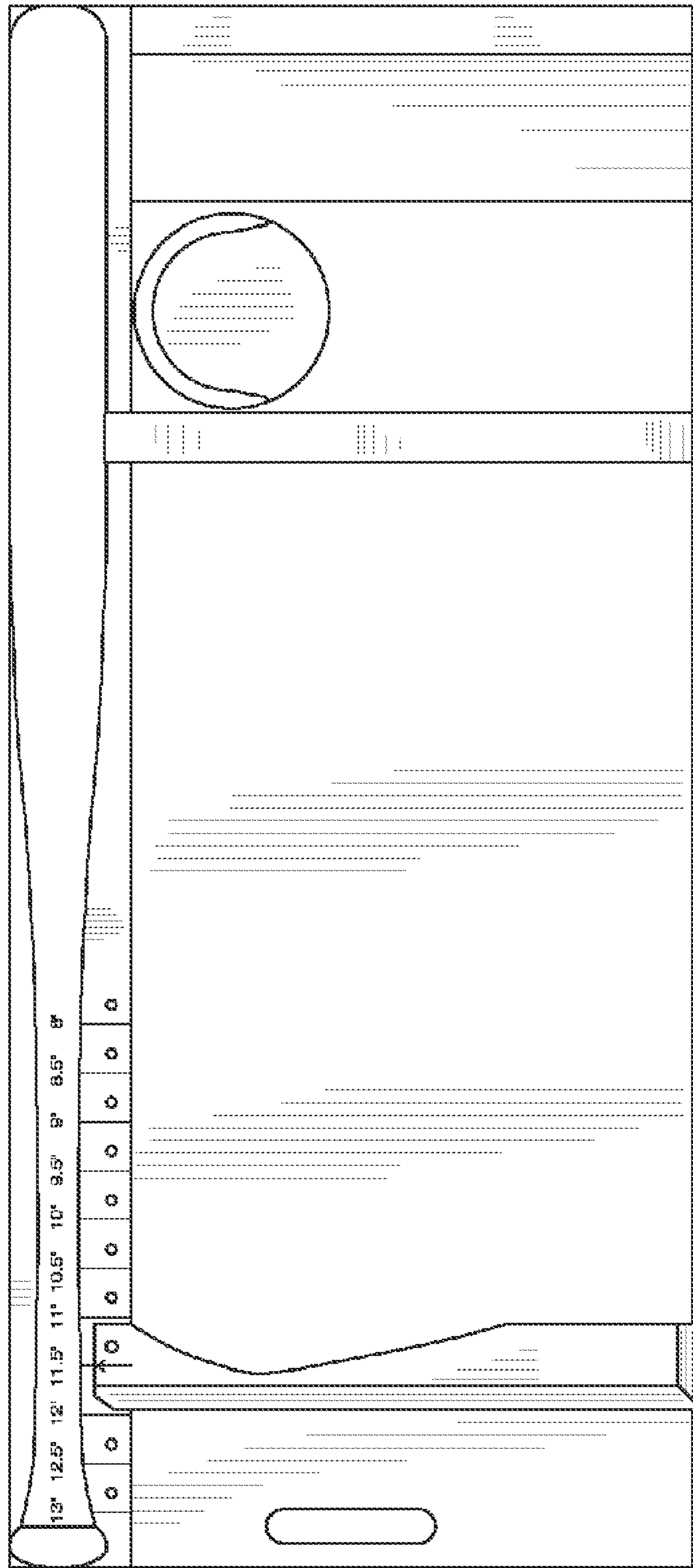


Fig. 2