



US00D620063S

(12) **United States Design Patent**
Llewellyn et al.

(10) **Patent No.:** **US D620,063 S**
(45) **Date of Patent:** **** Jul. 20, 2010**

(54) **BACK DESIGN FOR HYBRID GOLF CLUB HEADS**

(75) Inventors: **David Llewellyn**, Duluth, GA (US);
Richard Delvac, Lawrenceville, GA (US);
Yasuyuki Ohta, Osaka (JP)

(73) Assignee: **Mizuno USA, Inc.**, Norcross, GA (US)

(**) Term: **14 Years**

(21) Appl. No.: **29/339,498**

(22) Filed: **Jun. 30, 2009**

(51) **LOC (9) Cl.** **21-02**

(52) **U.S. Cl.** **D21/759**

(58) **Field of Classification Search** D21/747-751,
D21/759; 473/324-331, 350
See application file for complete search history.

(56) **References Cited**

U.S. PATENT DOCUMENTS

D353,644 S	*	12/1994	Hirsch et al.	D21/748
D364,435 S	*	11/1995	Wood	D21/750
D381,385 S	*	7/1997	Shinohara et al.	D21/749
D491,620 S	*	6/2004	Nishitani	D21/747
D550,797 S	*	9/2007	Oldknow	D21/759
D561,285 S	*	2/2008	Llewellyn et al.	D21/759

* cited by examiner

Primary Examiner—Mitchell I Siegel

(74) *Attorney, Agent, or Firm*—Troutman Sanders LLP;
James H. Yancey, Jr.; Jihan A. R. Jenkins

(57) **CLAIM**

The ornamental design for a back design for hybrid golf club heads, as shown and described.

DESCRIPTION

FIG. 1 illustrates an angled, perspective view taken from the sole and looking to the toe of a new design of a hybrid golf club head;

FIG. 2 illustrates a rear, perspective view of the design shown in FIG. 1 that shows the rear face of the hybrid golf club head with an optional badge portion (shown in broken/dashed lines) that can be disposed in the rear cavity feature of the hybrid golf club;

FIG. 3 illustrates an angled top perspective view of the design shown in FIG. 1 that shows the top of the hybrid golf club head;

FIG. 4 illustrates an angled bottom perspective view of the design shown in FIG. 1 that shows the bottom of the hybrid golf club head;

FIG. 5 illustrates an angled perspective view of the design shown in FIG. 1 taken from the heel that shows the cavity, the sloped transition area, and the bottom-perimeter-type weight features of the hybrid golf club head;

FIG. 6 illustrates an angled perspective view of the design shown in FIG. 1 taken from the toe of the hybrid golf club head;

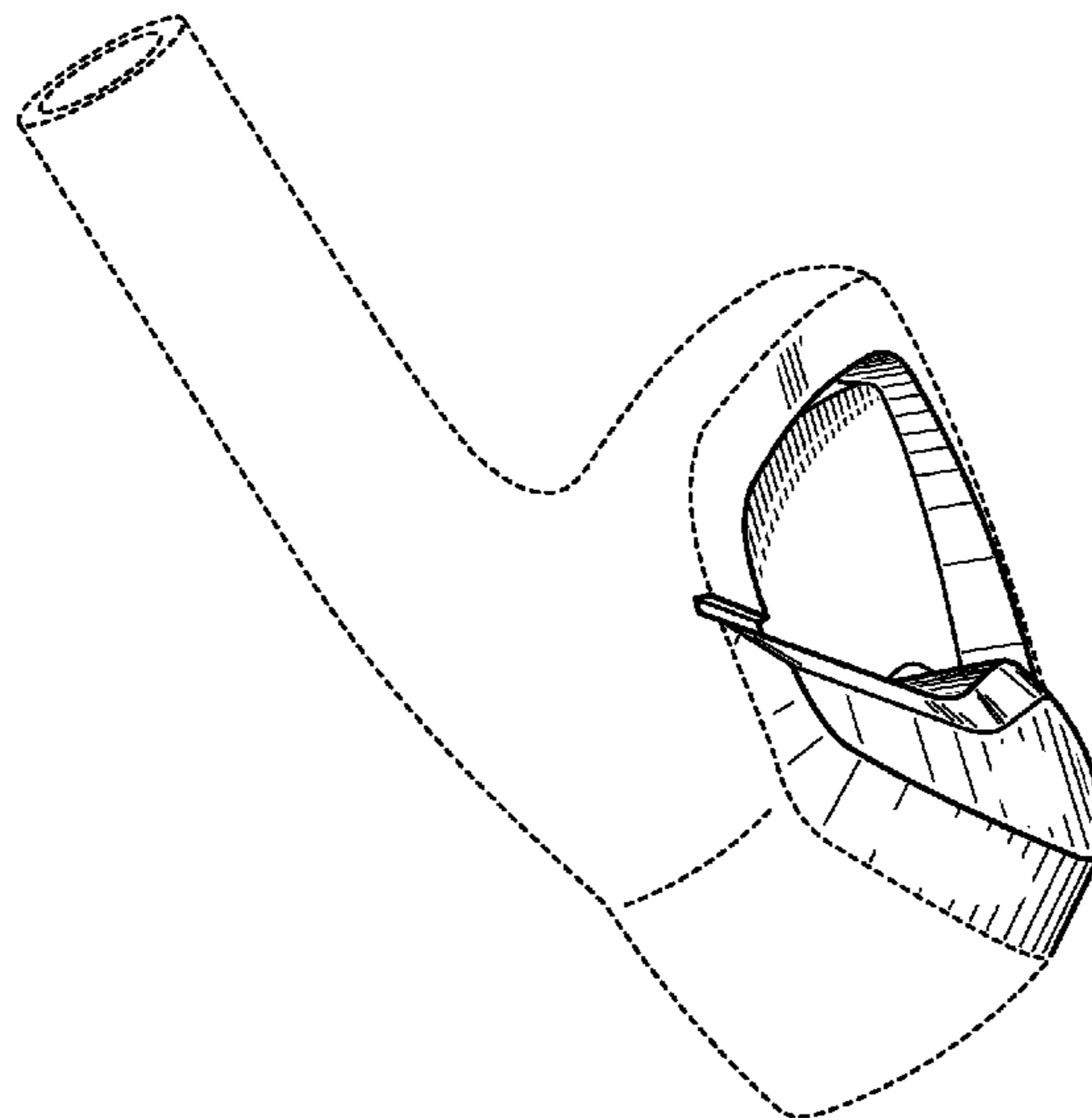
FIG. 7 illustrates a side view of the design shown in FIG. 1 taken from the side perimeter edge that shows the bottom-perimeter-type weight feature of the of the hybrid golf club head;

FIG. 8 illustrates an angular perspective view of the design shown in FIG. 1 taken from the toe of the hybrid golf club; and,

FIG. 9 illustrates a rear view of the club of the design shown in FIG. 1 taken from the heel that shows the rear cavity and the bottom-perimeter-type weight features of the of the hybrid golf club head.

The broken, dashed lines shown in the various figures depicting embodiments of the invention are included for the purpose of illustrating environment and do not form any part of the claimed design.

1 Claim, 5 Drawing Sheets



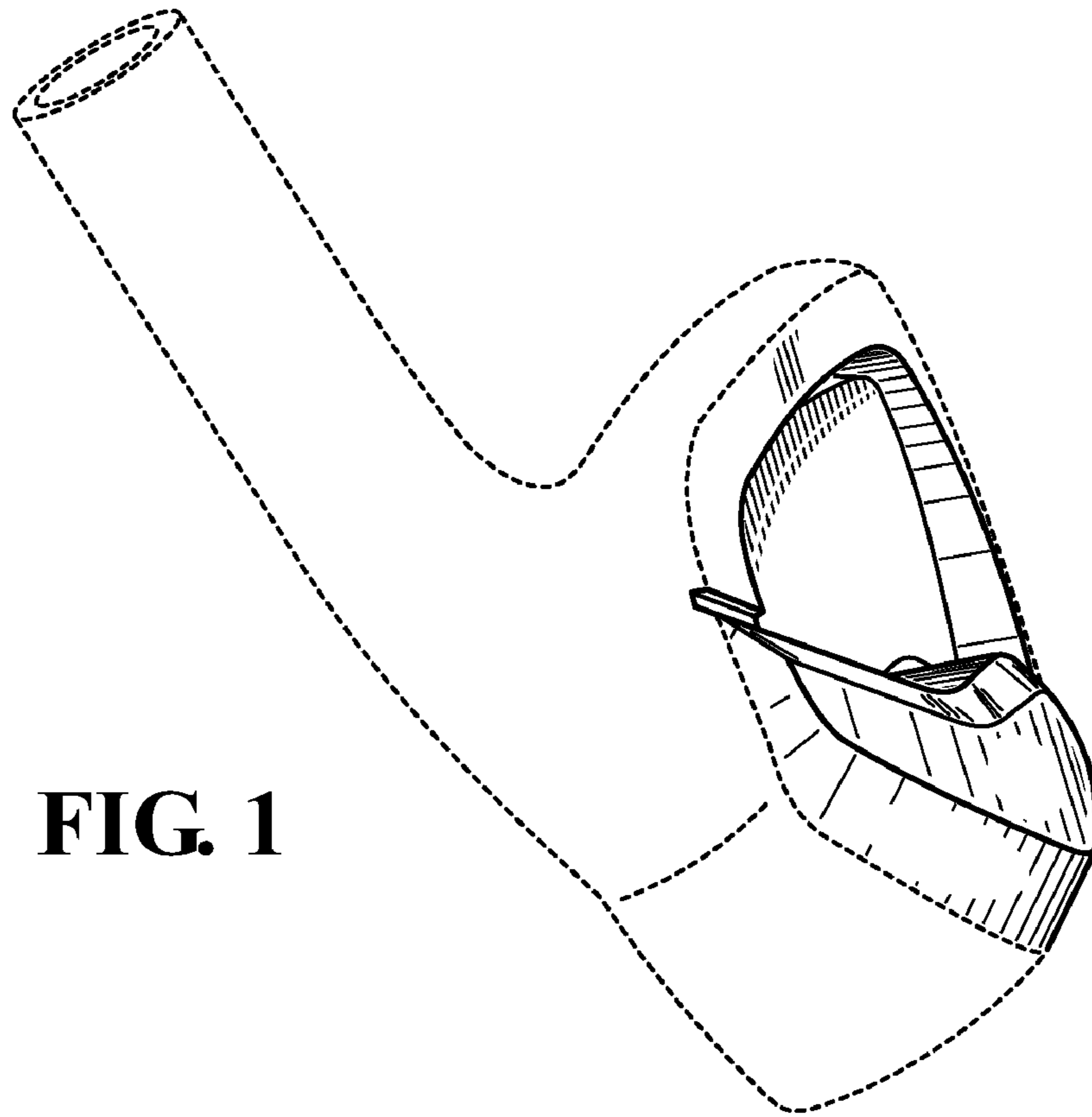


FIG. 1

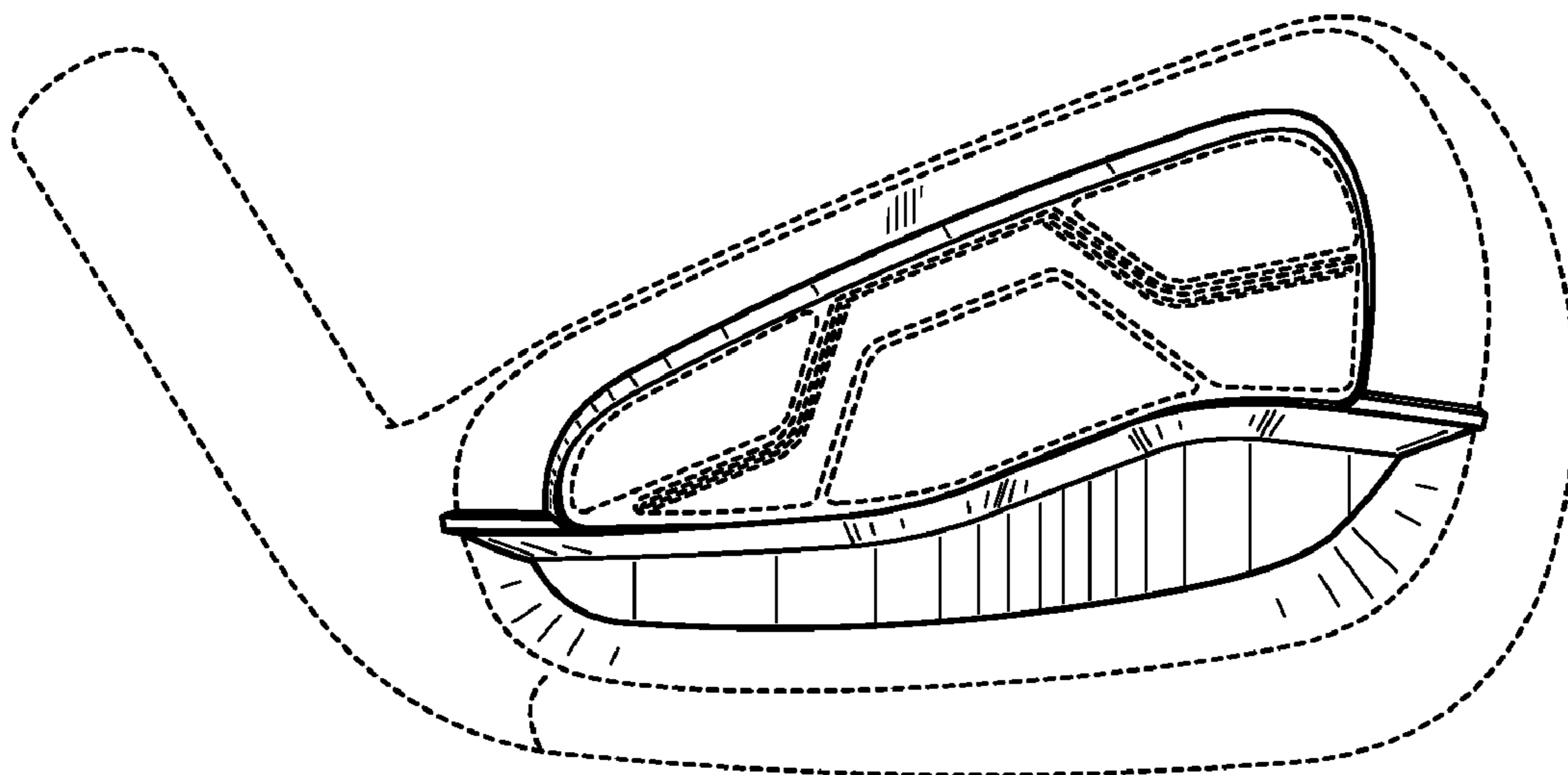


FIG. 2

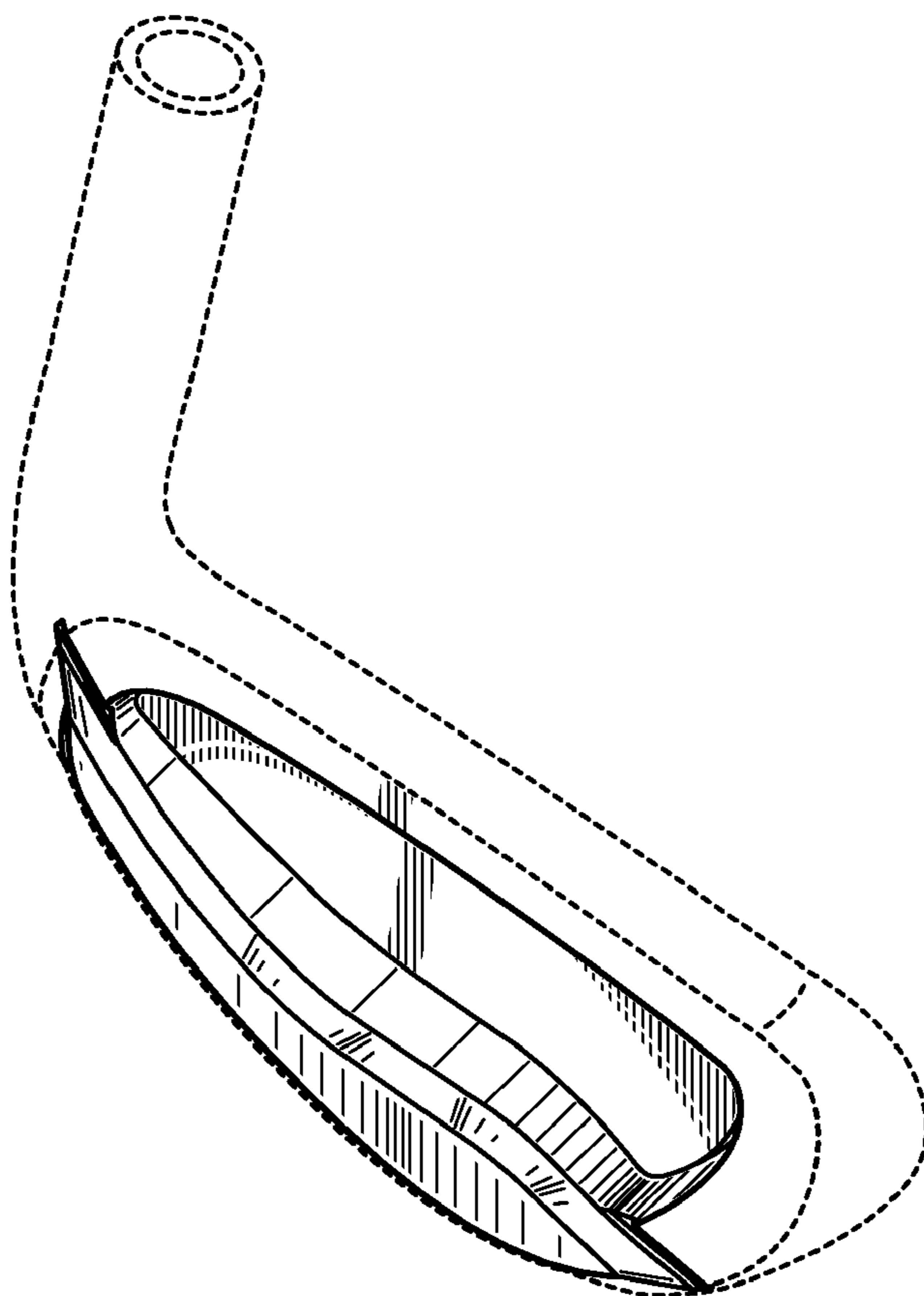


FIG. 3

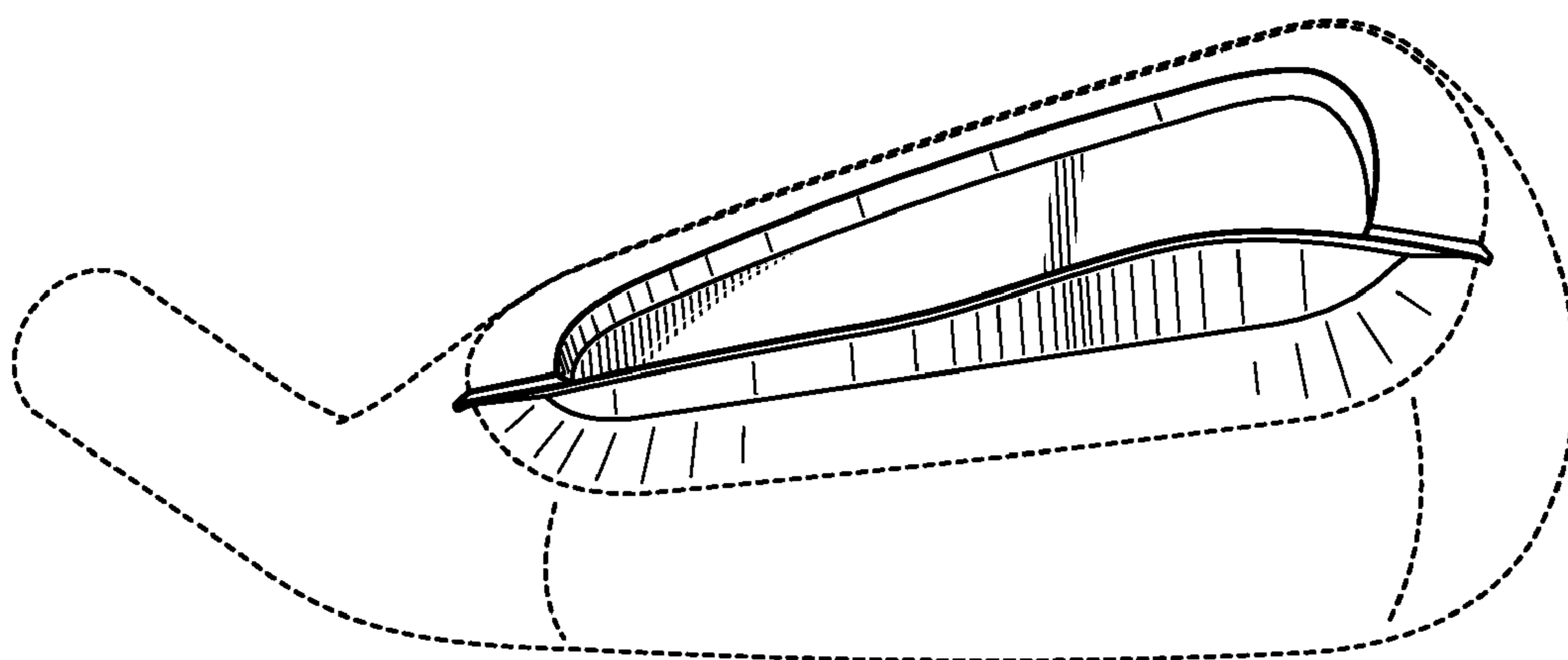


FIG. 4

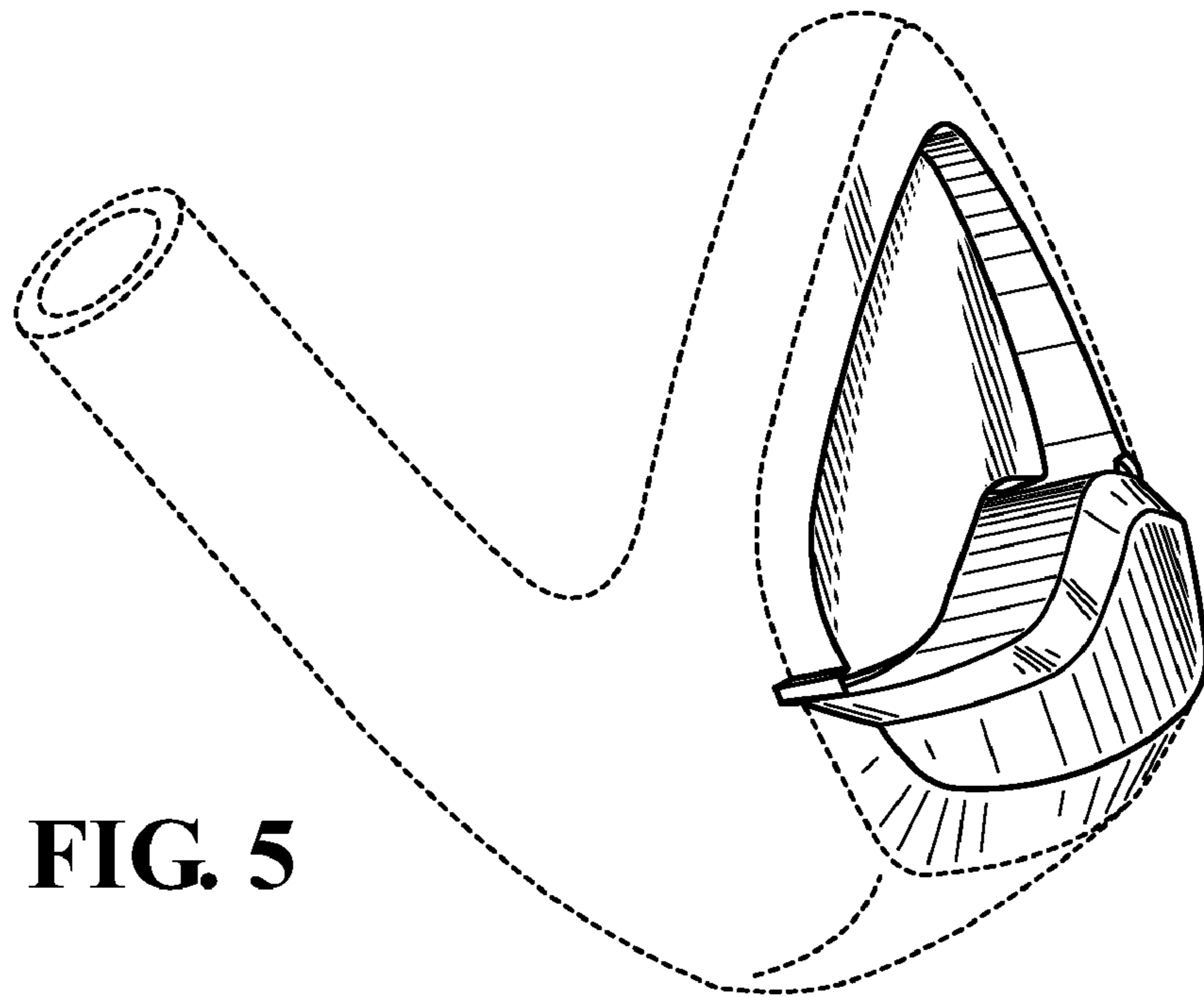


FIG. 5

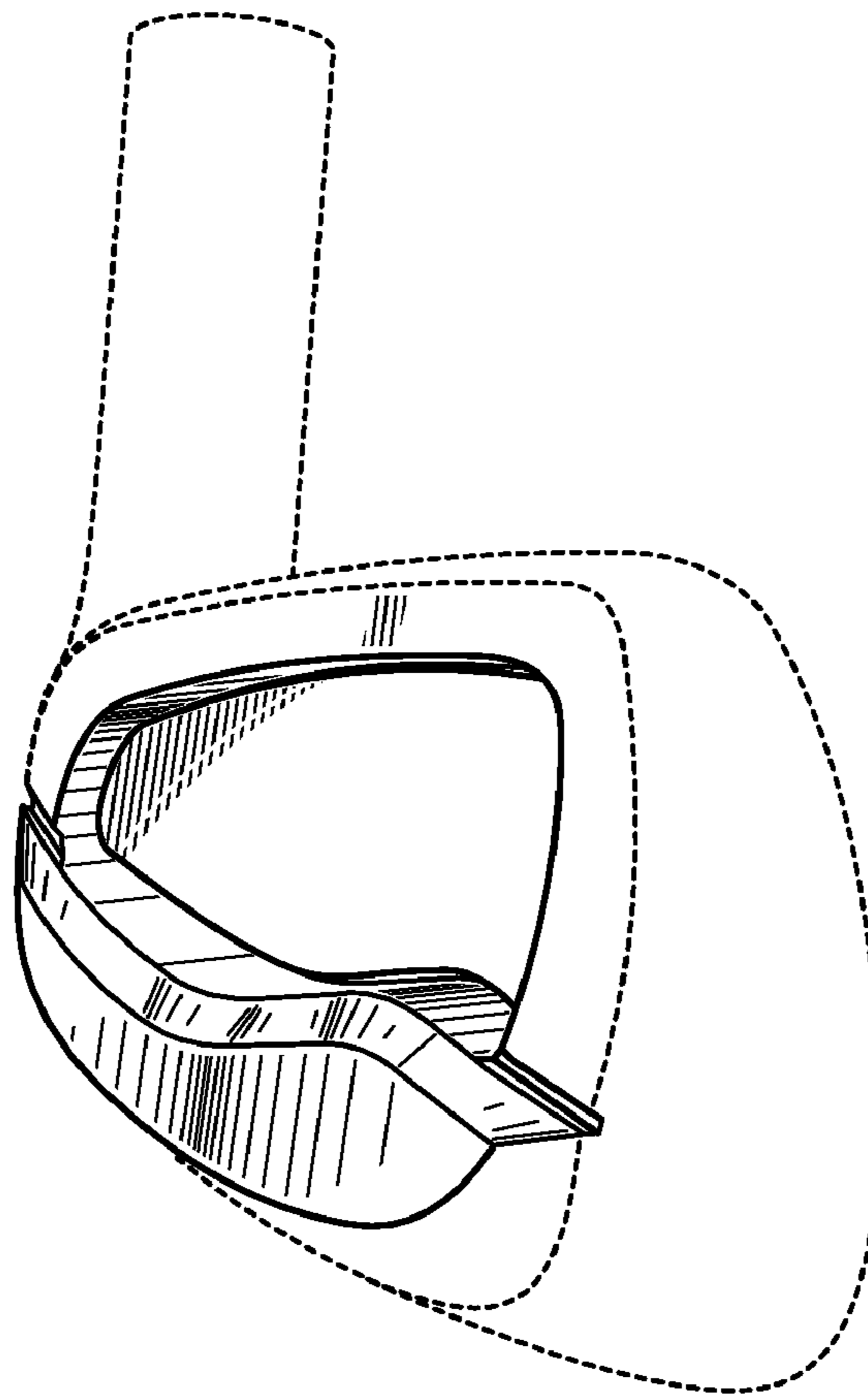


FIG. 6

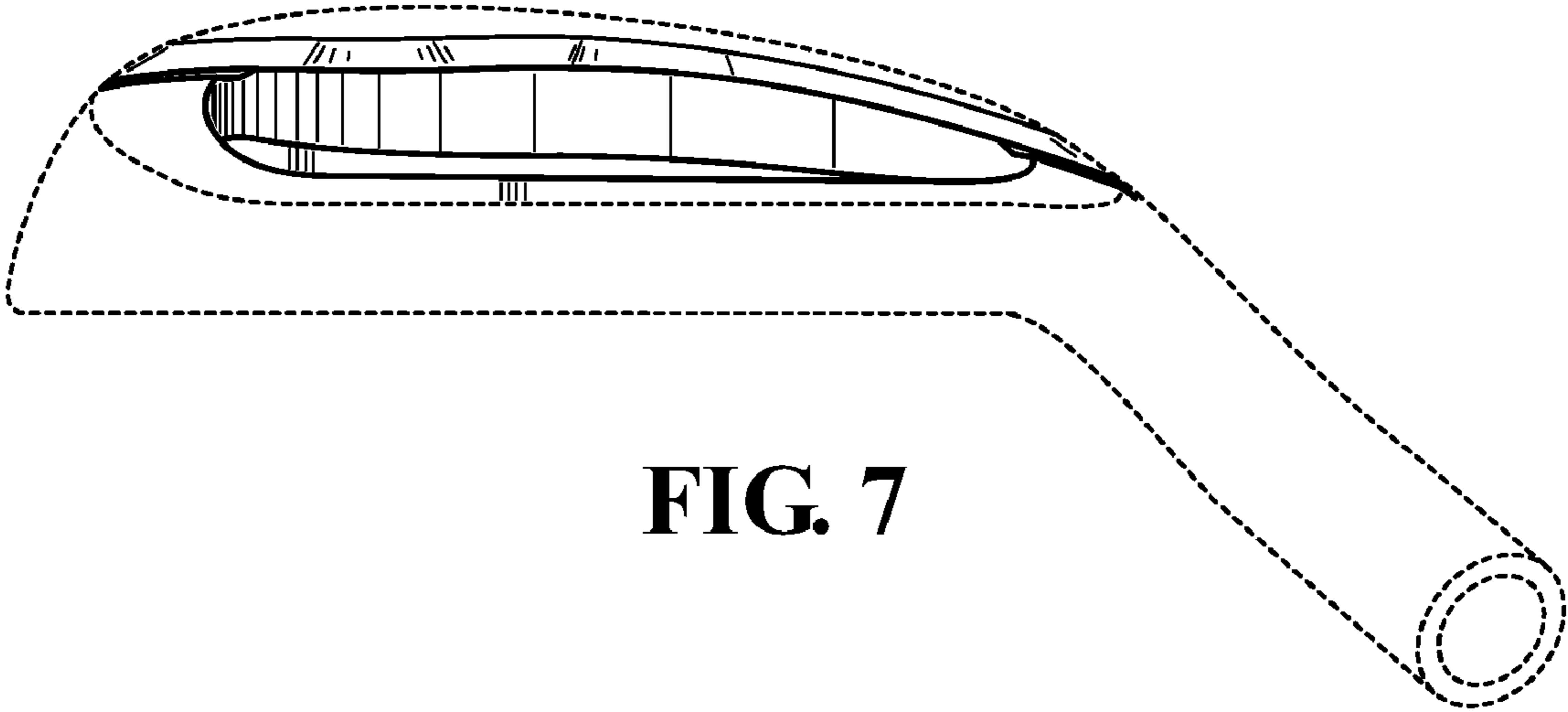


FIG. 7

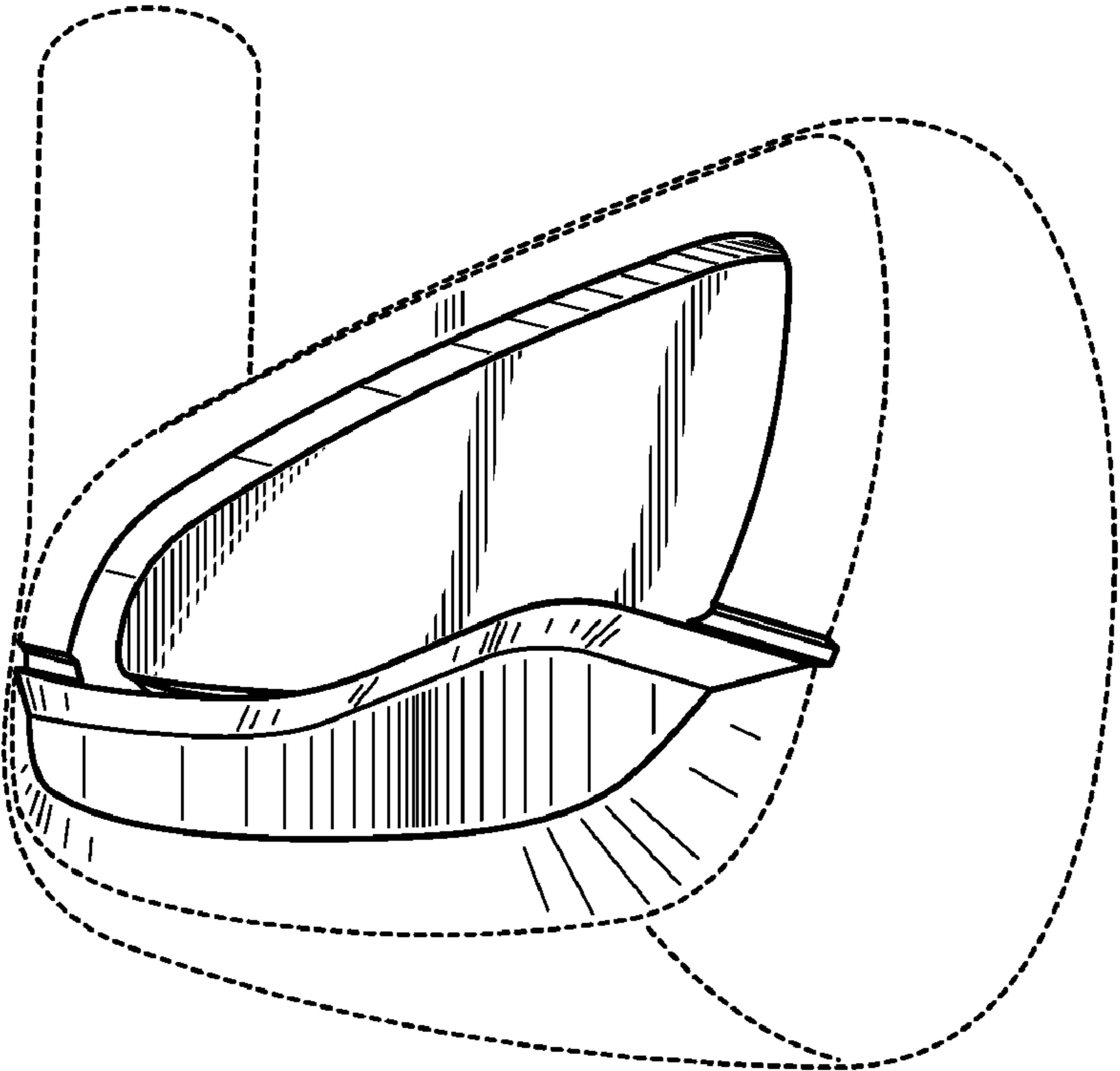


FIG. 8

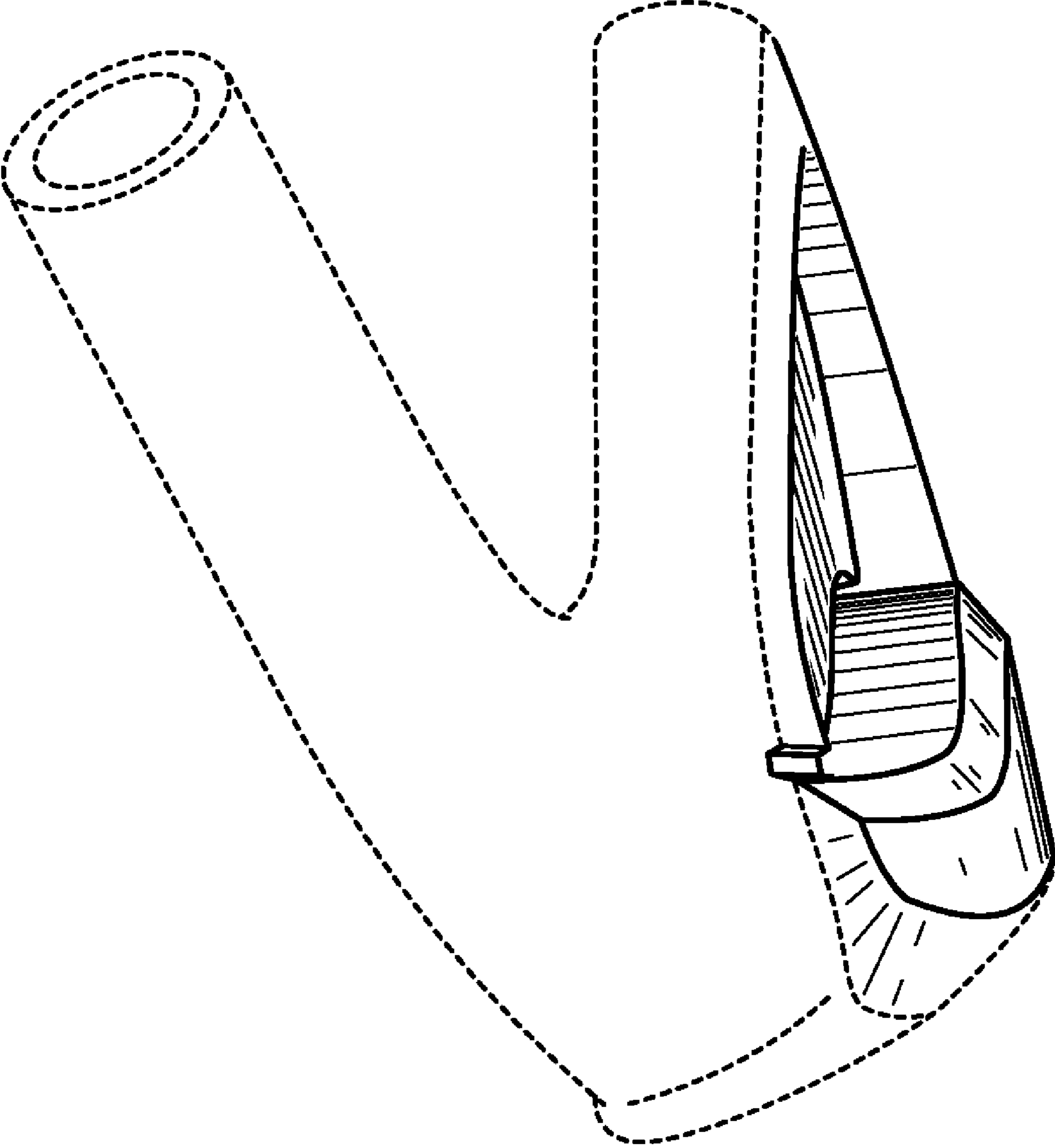


FIG. 9