



US00D620059S

(12) **United States Design Patent**
Horita et al.

(10) **Patent No.:** **US D620,059 S**
(45) **Date of Patent:** **** Jul. 20, 2010**

(54) **EXERCISE CYCLE**

(75) Inventors: **Sean K. Horita**, Woodinville, WA (US);
Jonathan M. Stewart, Seattle, WA (US)

(73) Assignee: **Precor Incorporated**, Woodinville, WA
(US)

(**) Term: **14 Years**

(21) Appl. No.: **29/354,448**

(22) Filed: **Jan. 25, 2010**

(51) **LOC (9) Cl.** **21-02**

(52) **U.S. Cl.** **D21/663**

(58) **Field of Classification Search** D21/662-670,
D21/694, 697; 482/51-52, 57-65; 280/288.2,
280/288.3

See application file for complete search history.

(56) **References Cited**

U.S. PATENT DOCUMENTS

D193,437 S *	8/1962	Pelham	D21/665
D299,732 S *	2/1989	Gustafsson	D21/667
D301,729 S *	6/1989	Capjon	D21/663
D344,776 S *	3/1994	Lertyaovarit	D21/667
D357,953 S *	5/1995	Warehime et al.	D21/667
6,102,834 A *	8/2000	Chen	482/57
D437,369 S *	2/2001	Tsushi	D21/666
D439,289 S *	3/2001	Moran et al.	D21/666
D444,515 S *	7/2001	Moran et al.	D21/663

D513,421 S *	1/2006	Nagano	D21/666
D519,171 S *	4/2006	Kuo	D21/663
D526,031 S *	8/2006	Corbalis et al.	D21/663
D534,226 S *	12/2006	Corbalis et al.	D21/697
D569,459 S *	5/2008	Bingham et al.	D21/697
2005/0239610 A1 *	10/2005	Ryan et al.	482/57
2006/0046905 A1 *	3/2006	Doody et al.	482/57
2006/0234836 A1 *	10/2006	Kuo	482/57
2006/0234837 A1 *	10/2006	Kuo	482/57

* cited by examiner

Primary Examiner—Susan E Krakower

(74) *Attorney, Agent, or Firm*—Terence P. O'Brien

(57) **CLAIM**

We claim the ornamental design for an exercise cycle, as shown and described.

DESCRIPTION

FIG. 1 is a front, side perspective view of an exercise cycle;

FIG. 2 is a side view of the exercise cycle of FIG. 1;

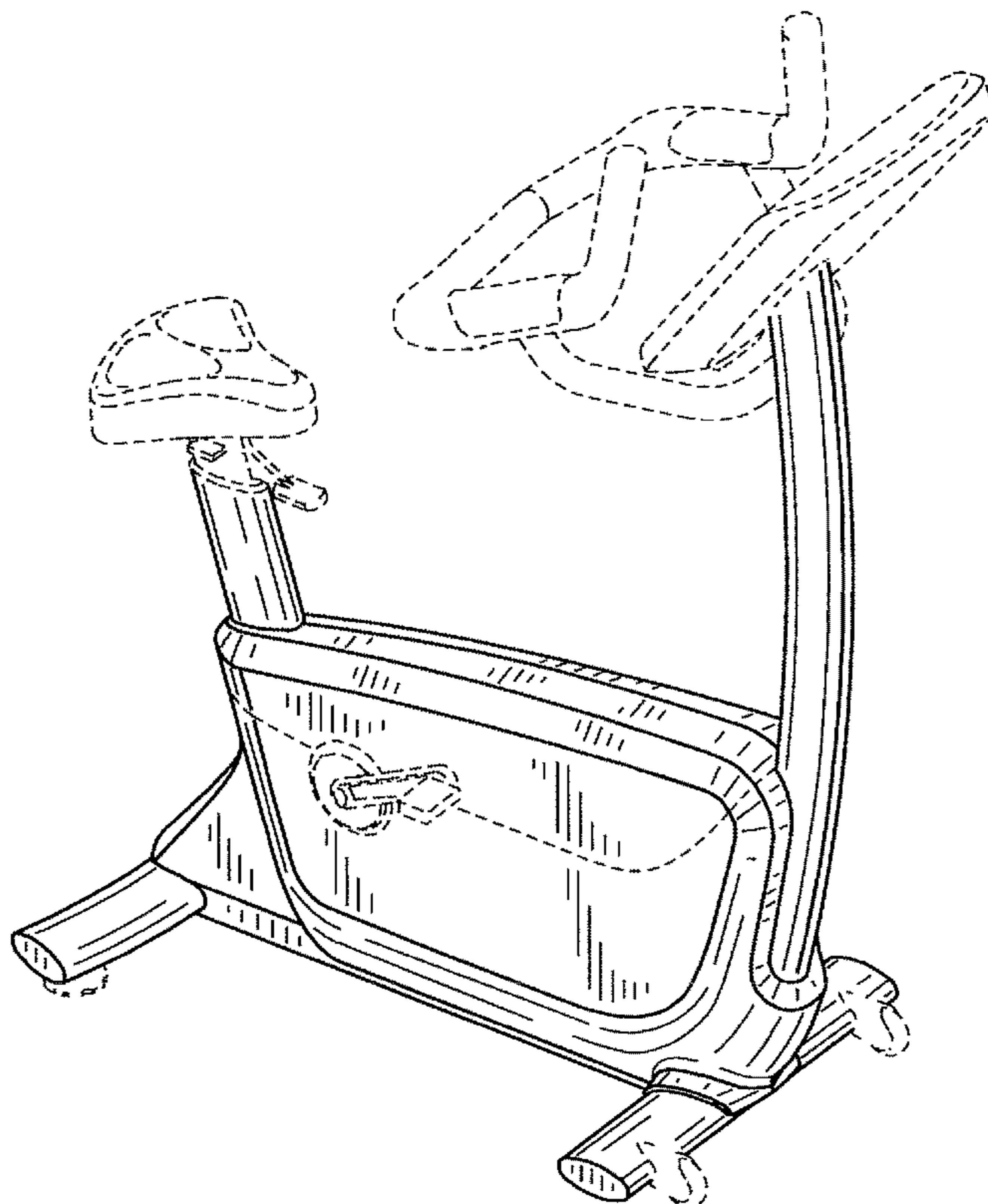
FIG. 3 is a top view of the exercise cycle of FIG. 1;

FIG. 4 is a front view of the exercise cycle of FIG. 1; and,

FIG. 5 is a rear view of the exercise cycle of FIG. 1.

The ornamental design that is claimed is shown in solid lines in the drawings. The broken (dashed) lines shown in the drawings are included for the purpose of illustrating environmental elements only and form no part of the claimed design.

1 Claim, 5 Drawing Sheets



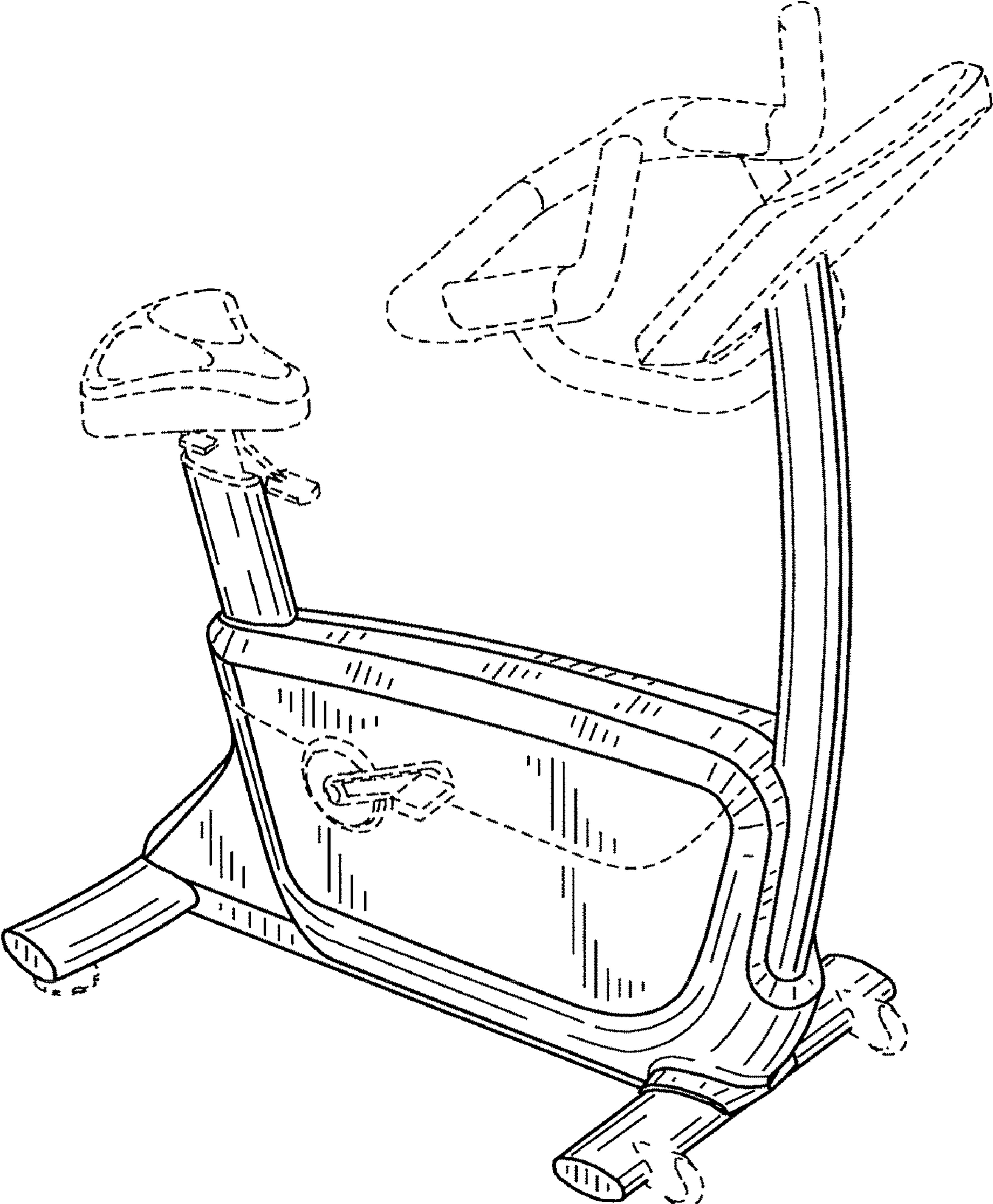


FIG. 1

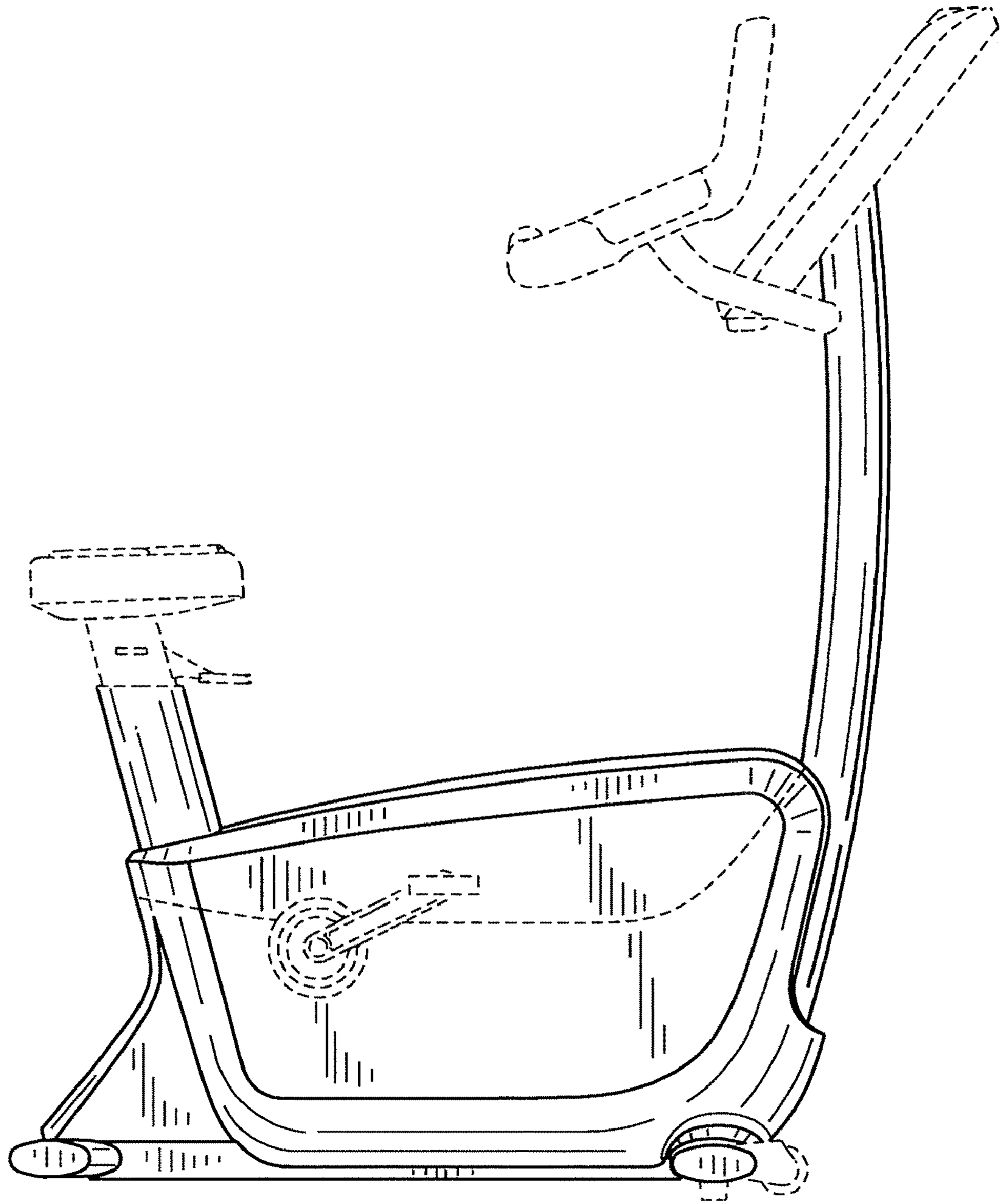


FIG. 2

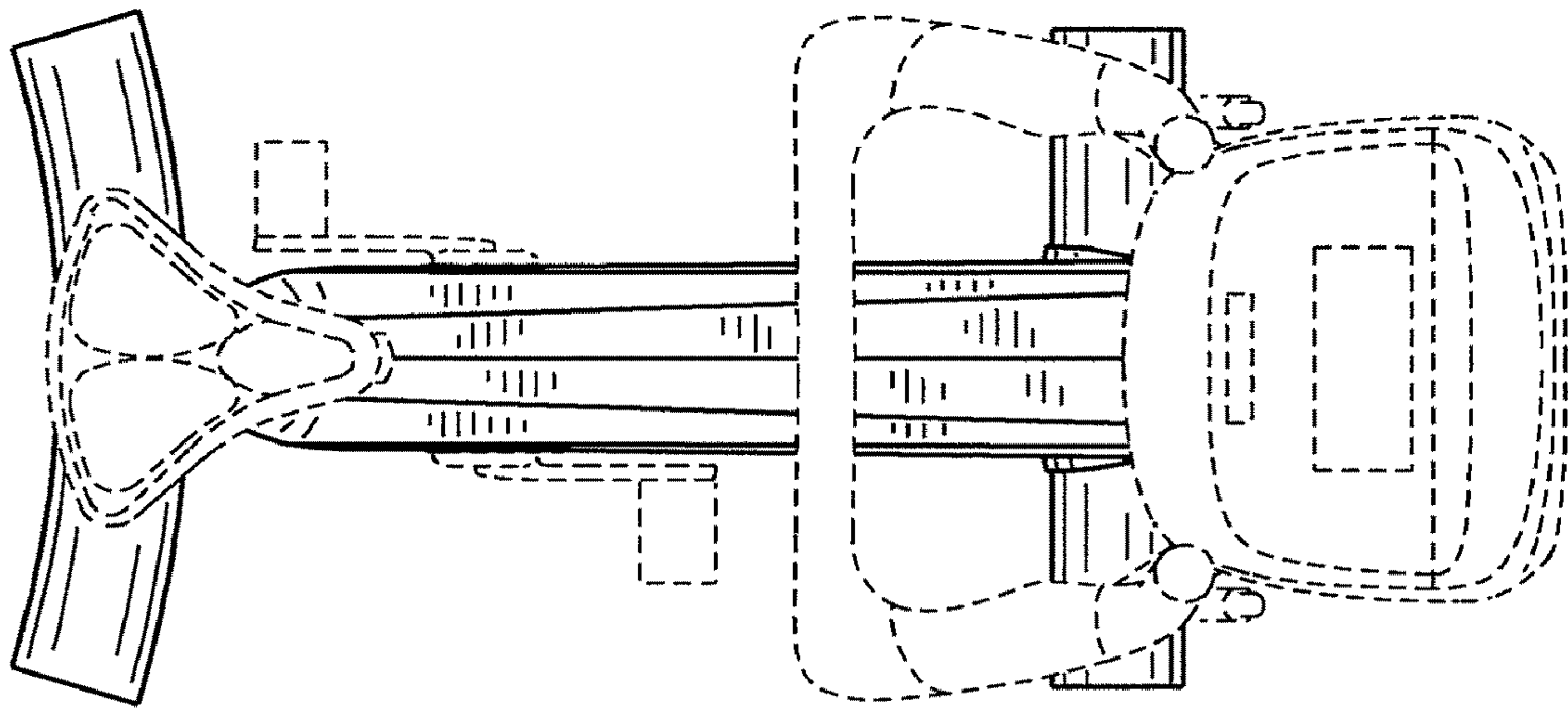


FIG. 3

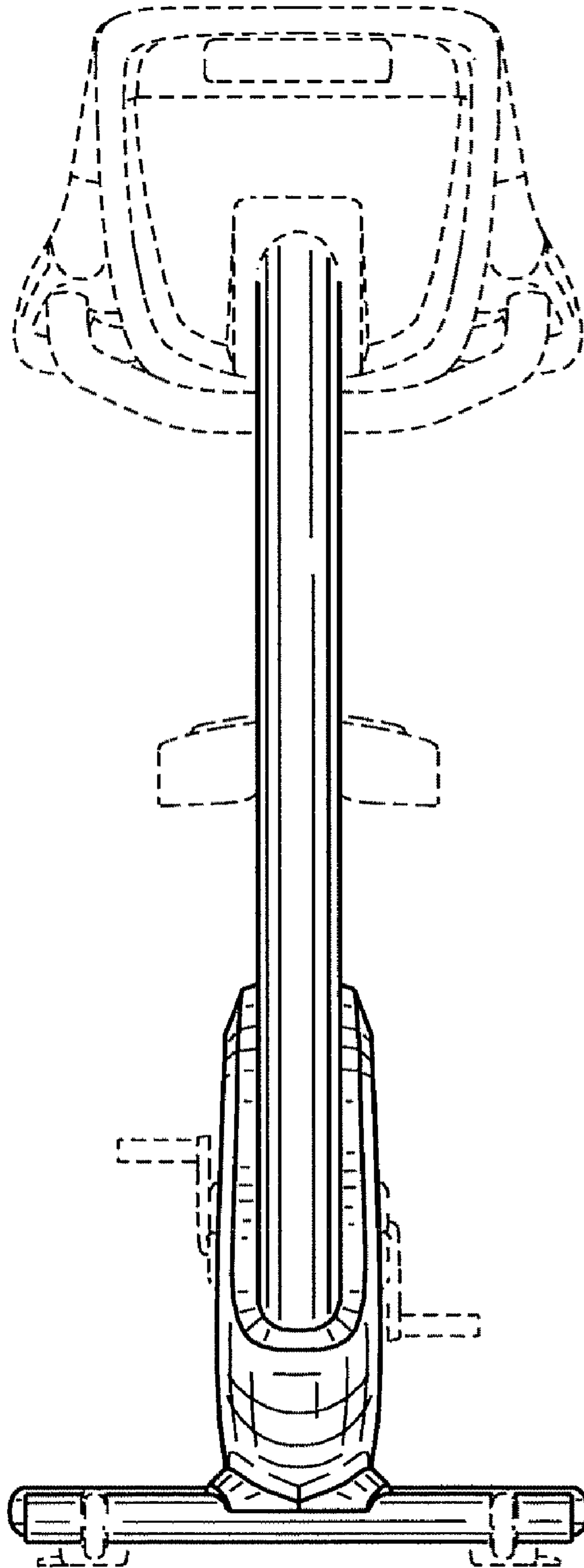


FIG. 4

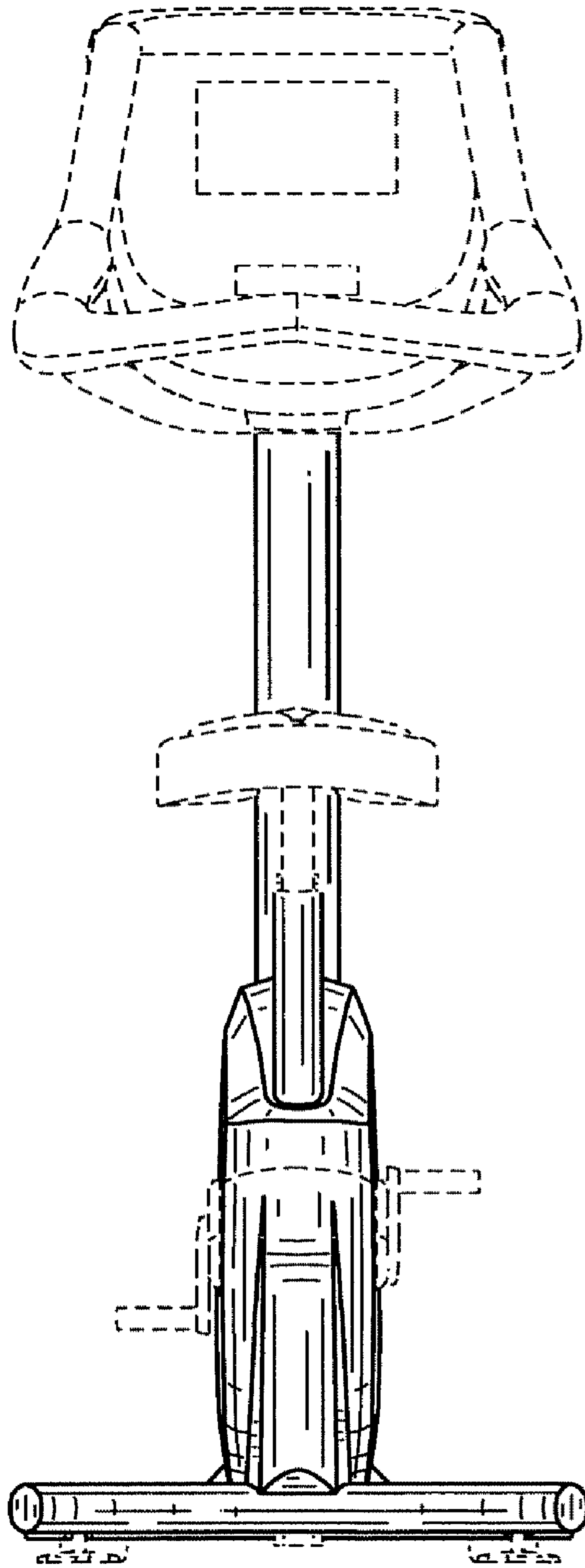


FIG. 5