



US00D620058S

(12) **United States Design Patent**
Gaedke

(10) **Patent No.:** **US D620,058 S**

(45) **Date of Patent:** **** Jul. 20, 2010**

(54) **WRIST WRAP**

(75) Inventor: **Michele Marie Gaedke**, Fairfield, CA (US)

(73) Assignee: **McCrane, Inc.**, Napa, CA (US)

(**) Term: **14 Years**

(21) Appl. No.: **29/333,295**

(22) Filed: **Mar. 5, 2009**

(51) **LOC (9) Cl.** **21-02**

(52) **U.S. Cl.** **D21/662**

(58) **Field of Classification Search** D21/662,
D21/684; 2/16, 20, 161.1, 161.6; 294/25;
602/5, 21; 473/62; 428/13; D29/113, 120.1;
D24/190

See application file for complete search history.

(56) **References Cited**

U.S. PATENT DOCUMENTS

368,724	A *	8/1887	Loucks	2/19
1,790,381	A *	1/1931	Keller	602/64
3,238,939	A *	3/1966	Stubbs	602/64
D242,172	S *	11/1976	Borenstein	D24/190
4,632,105	A *	12/1986	Barlow	602/64
D300,948	S *	5/1989	Harris et al.	D24/190
D360,467	S *	7/1995	Sydor et al.	D24/190
5,538,501	A *	7/1996	Caswell	602/64
5,819,313	A *	10/1998	McCrane	2/16
D403,425	S *	12/1998	Taylor et al.	D24/192
5,928,172	A *	7/1999	Gaylord	602/21
6,168,556	B1 *	1/2001	Saavedra	482/93
6,834,397	B1 *	12/2004	Murphy	2/161.1
D528,263	S *	9/2006	Van Trojen	D2/610

* cited by examiner

Primary Examiner—Robert M Spear

Assistant Examiner—Cynthia Underwood

(74) *Attorney, Agent, or Firm*—Edward S. Wright

(57) **CLAIM**

The ornamental design for a wrist wrap, as shown and described.

DESCRIPTION

FIG. 1 is a front perspective view of a wrist wrap showing my new design, with the thumb and fingers of a wearer shown in broken lines and forming no part of the claim;

FIG. 2 is an upper right rear perspective view thereof, with the thumb and fingers of a wearer again shown in broken lines and forming no part of the claim;

FIG. 3 is a front elevational view thereof;

FIG. 4 is a left side elevational view thereof;

FIG. 5 is a rear elevational view thereof;

FIG. 6 is a right side elevational view thereof;

FIG. 7 is a top plan view thereof;

FIG. 8 is a bottom plan view thereof;

FIG. 9 is a front elevational view thereof in an unwrapped, flat state;

FIG. 10 is a right side elevational view thereof in an unwrapped, flat state;

FIG. 11 is a rear elevational view thereof in an unwrapped, flat state;

FIG. 12 is a left side elevational view thereof in an unwrapped, flat state;

FIG. 13 is a top plan view thereof in an unwrapped, flat state; and,

FIG. 14 is a bottom plan view thereof in an unwrapped, flat state.

1 Claim, 7 Drawing Sheets

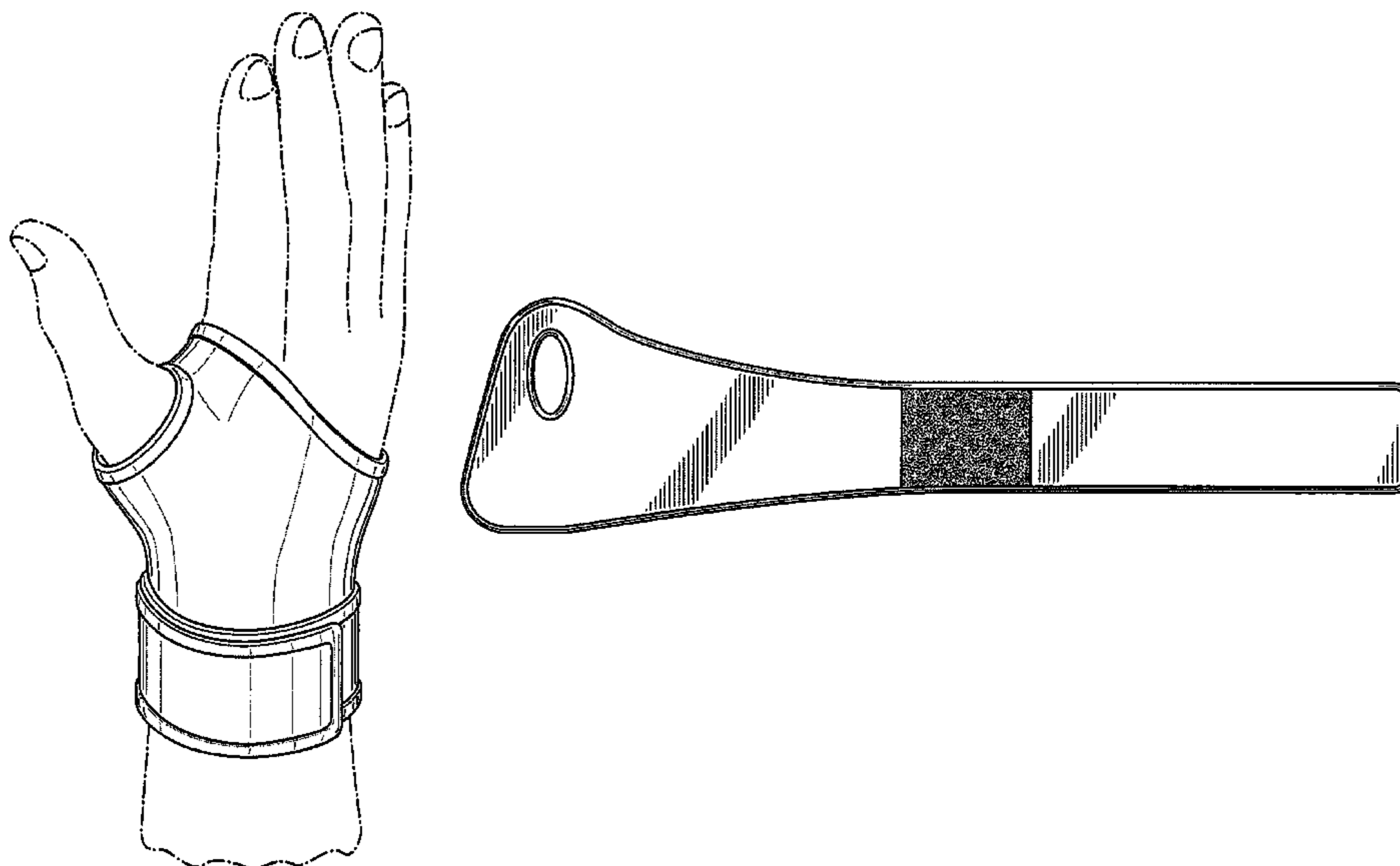


FIG. 1

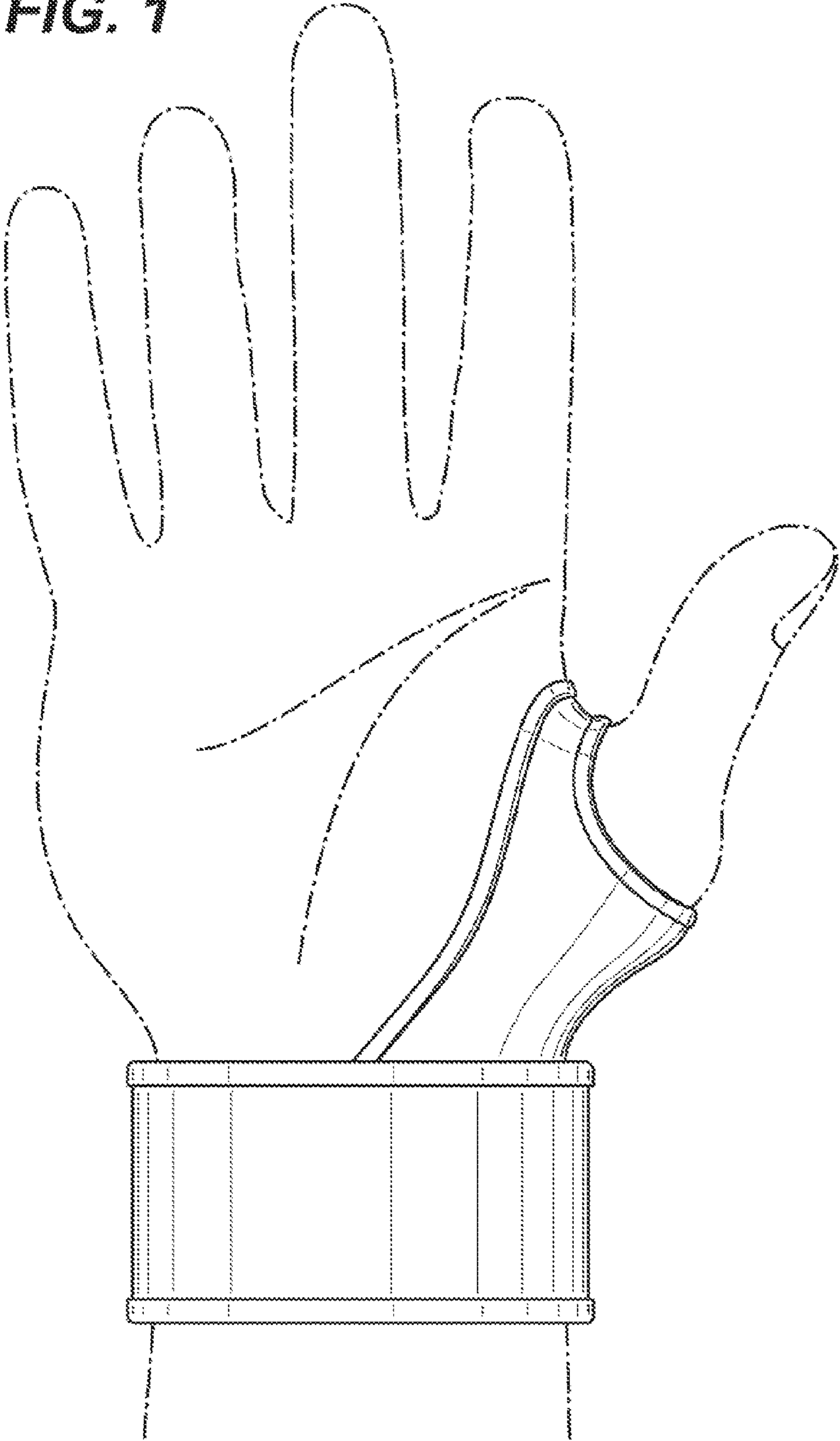
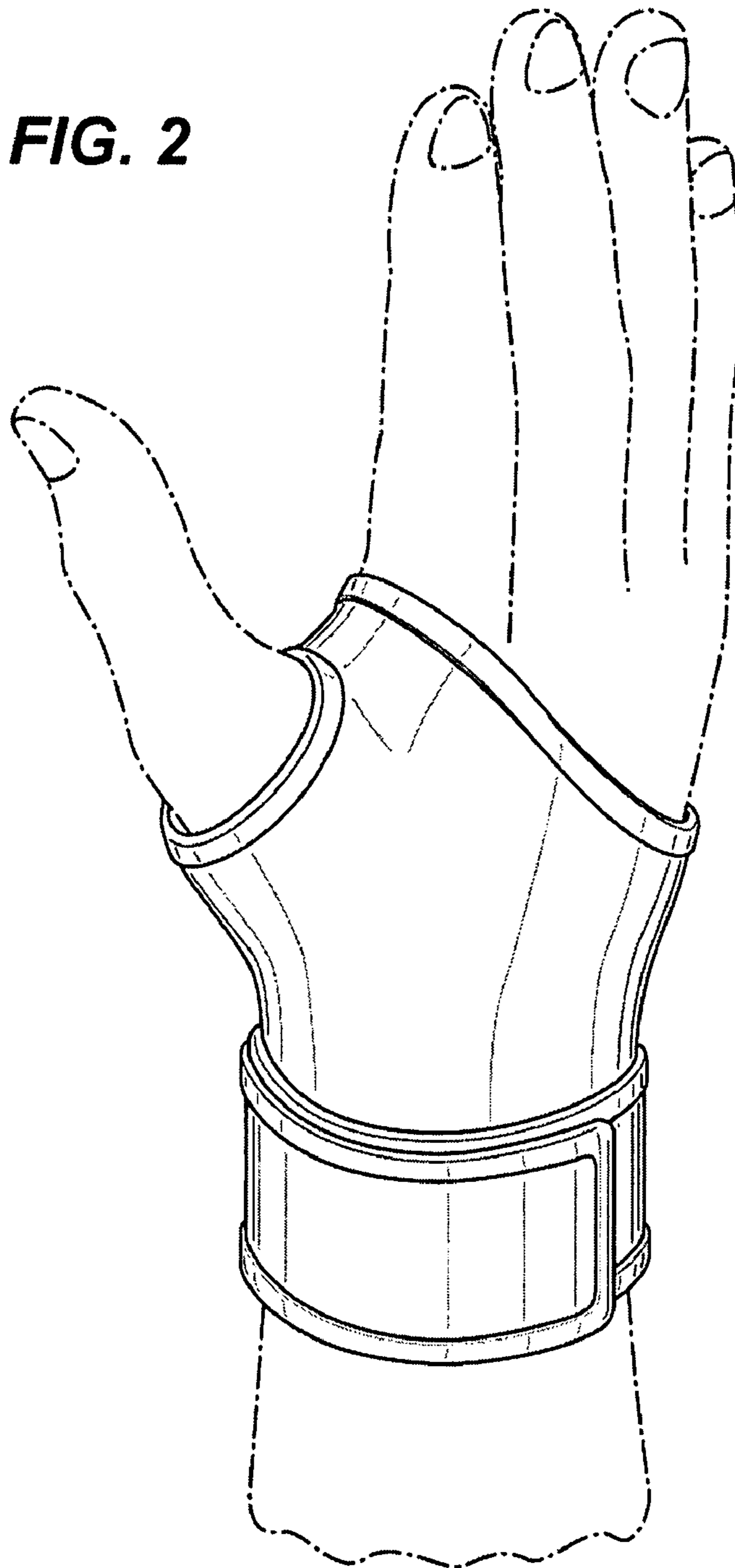


FIG. 2



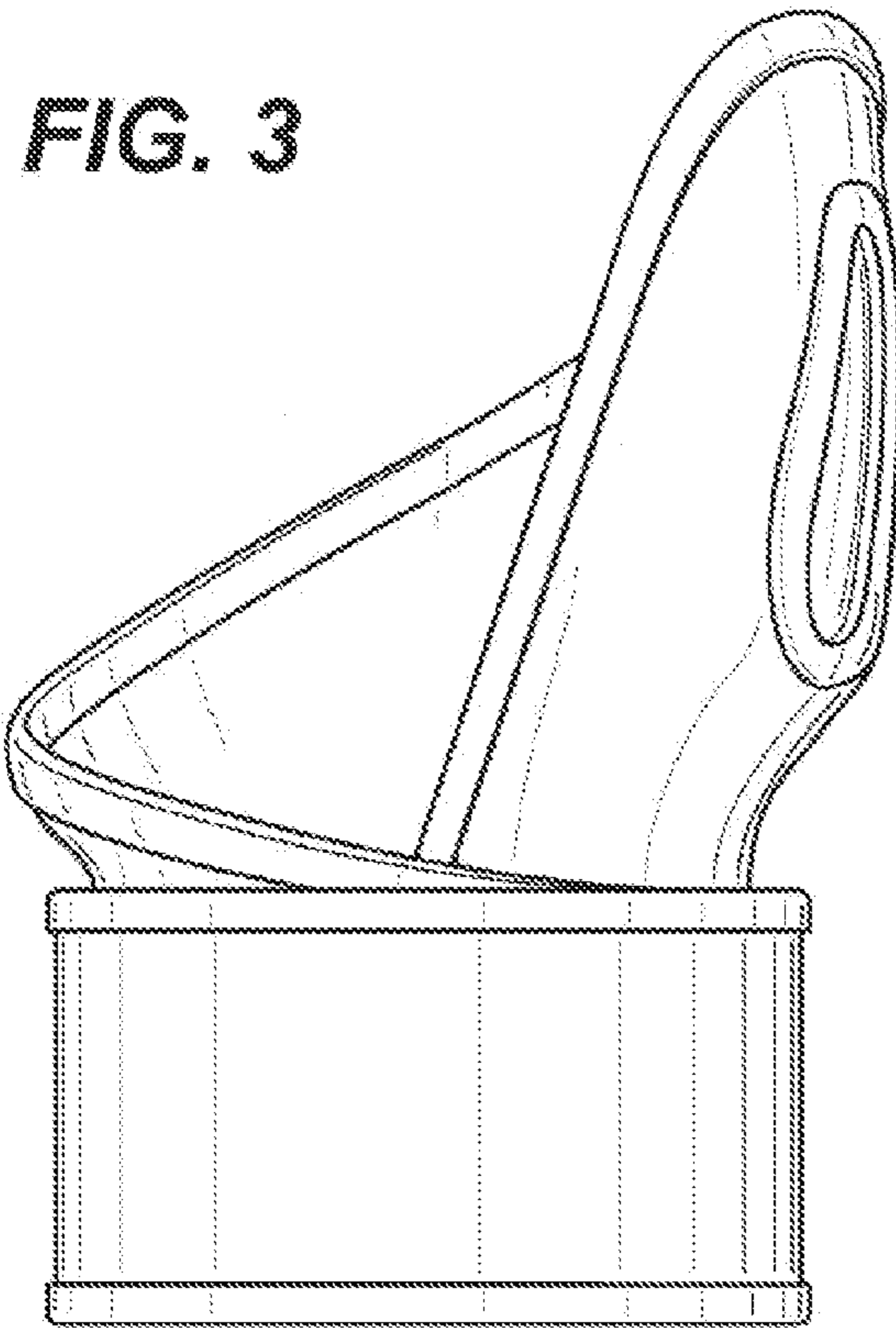
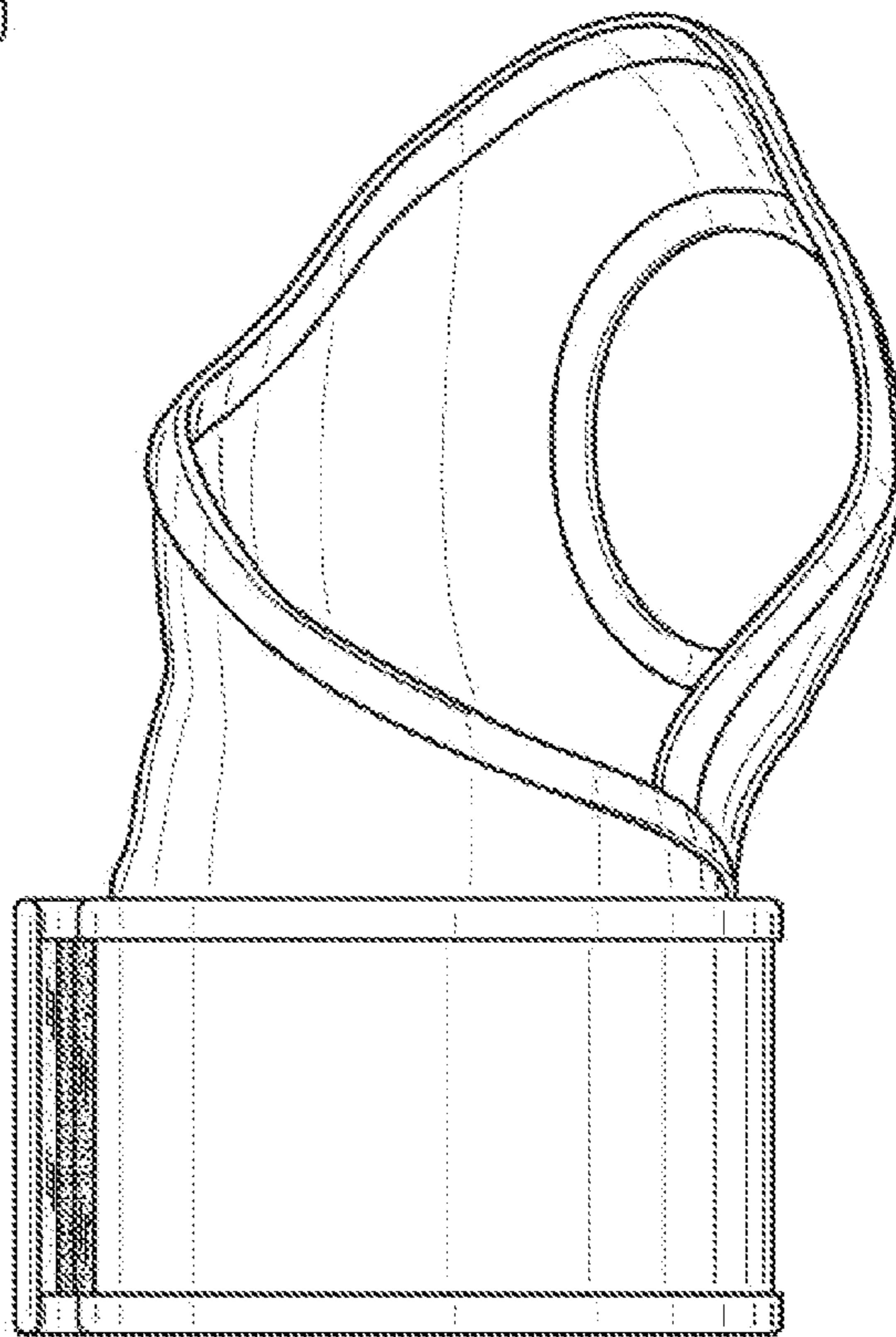


FIG. 4



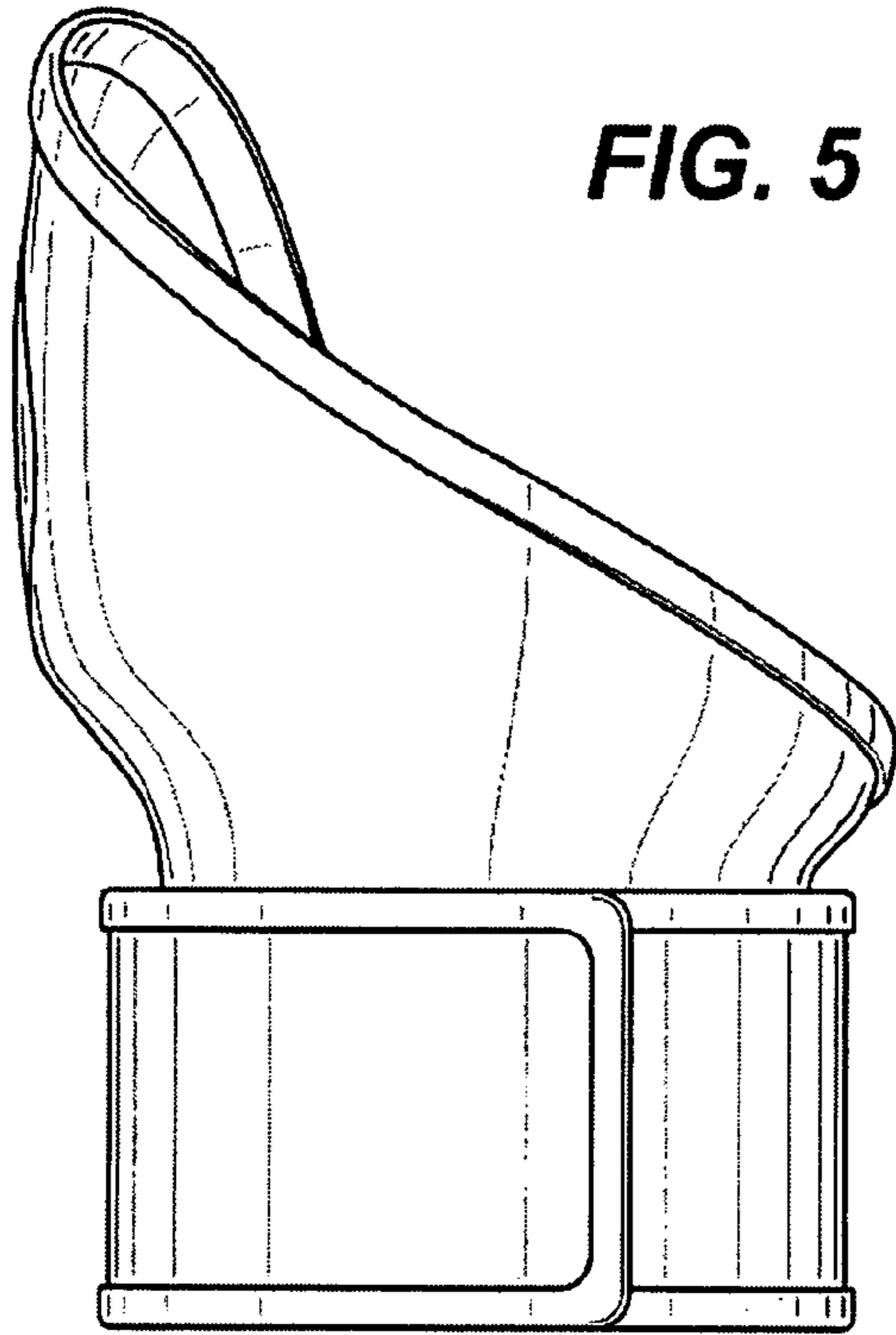


FIG. 5

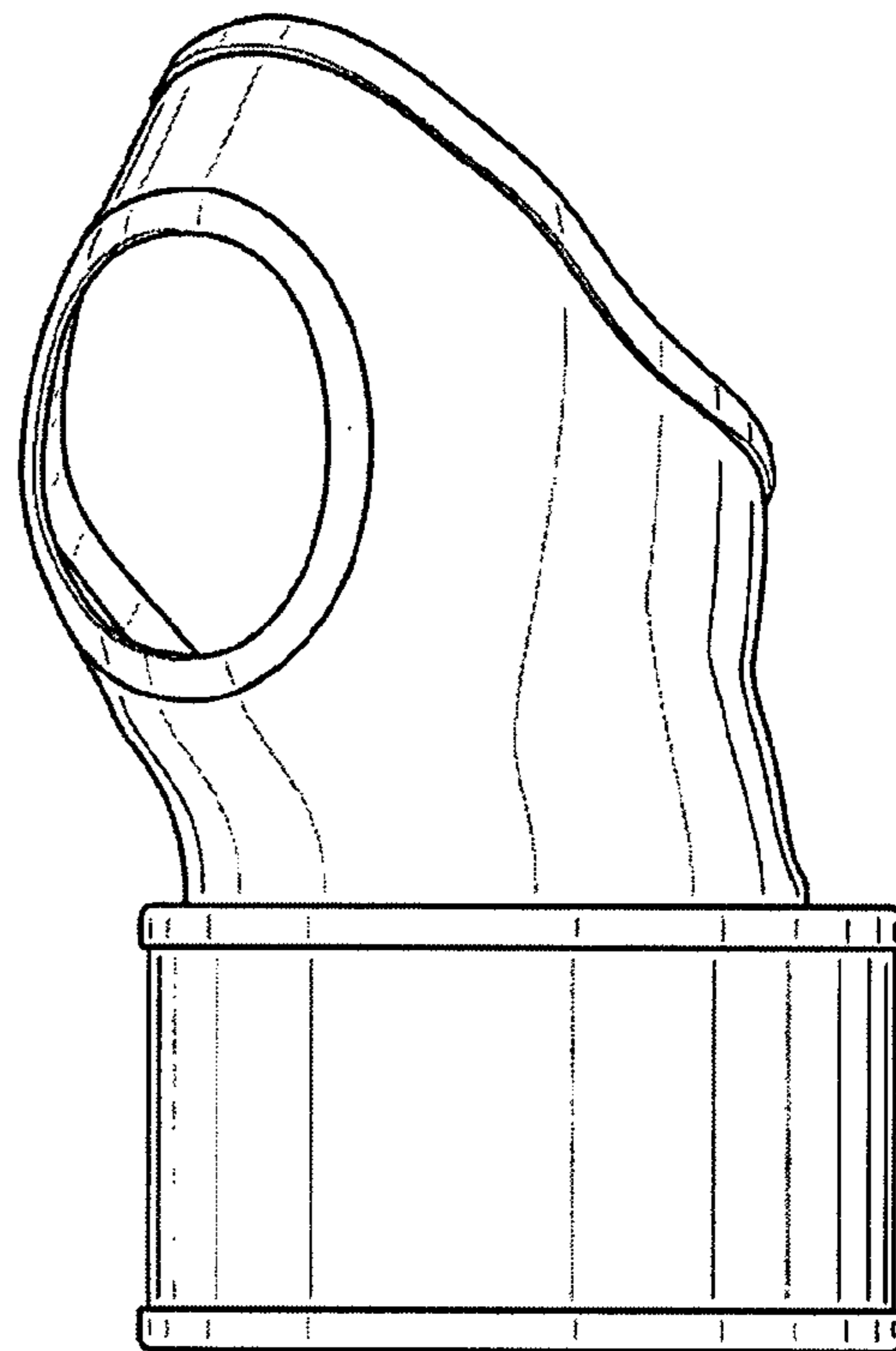


FIG. 6

FIG. 7

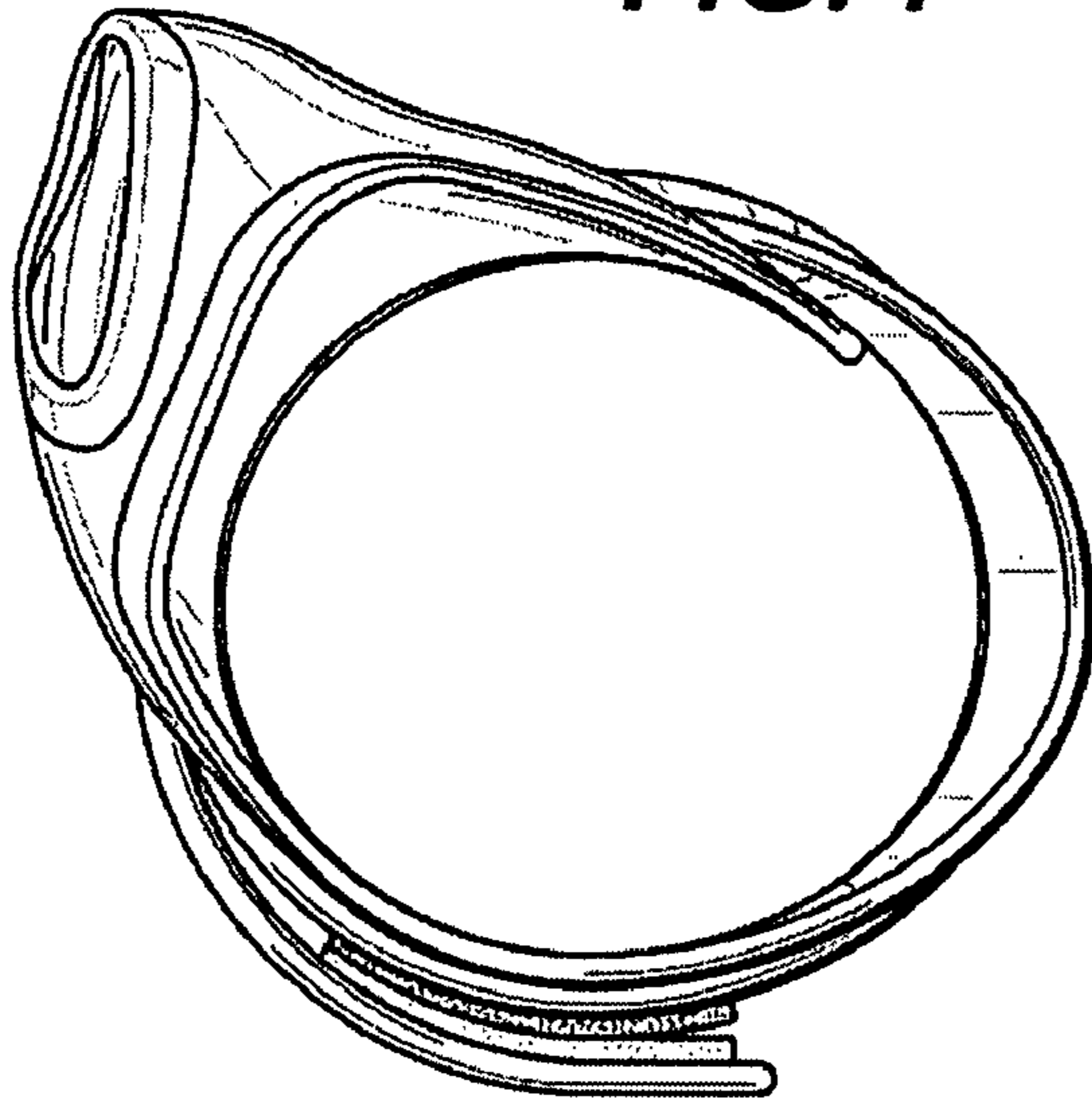


FIG. 8

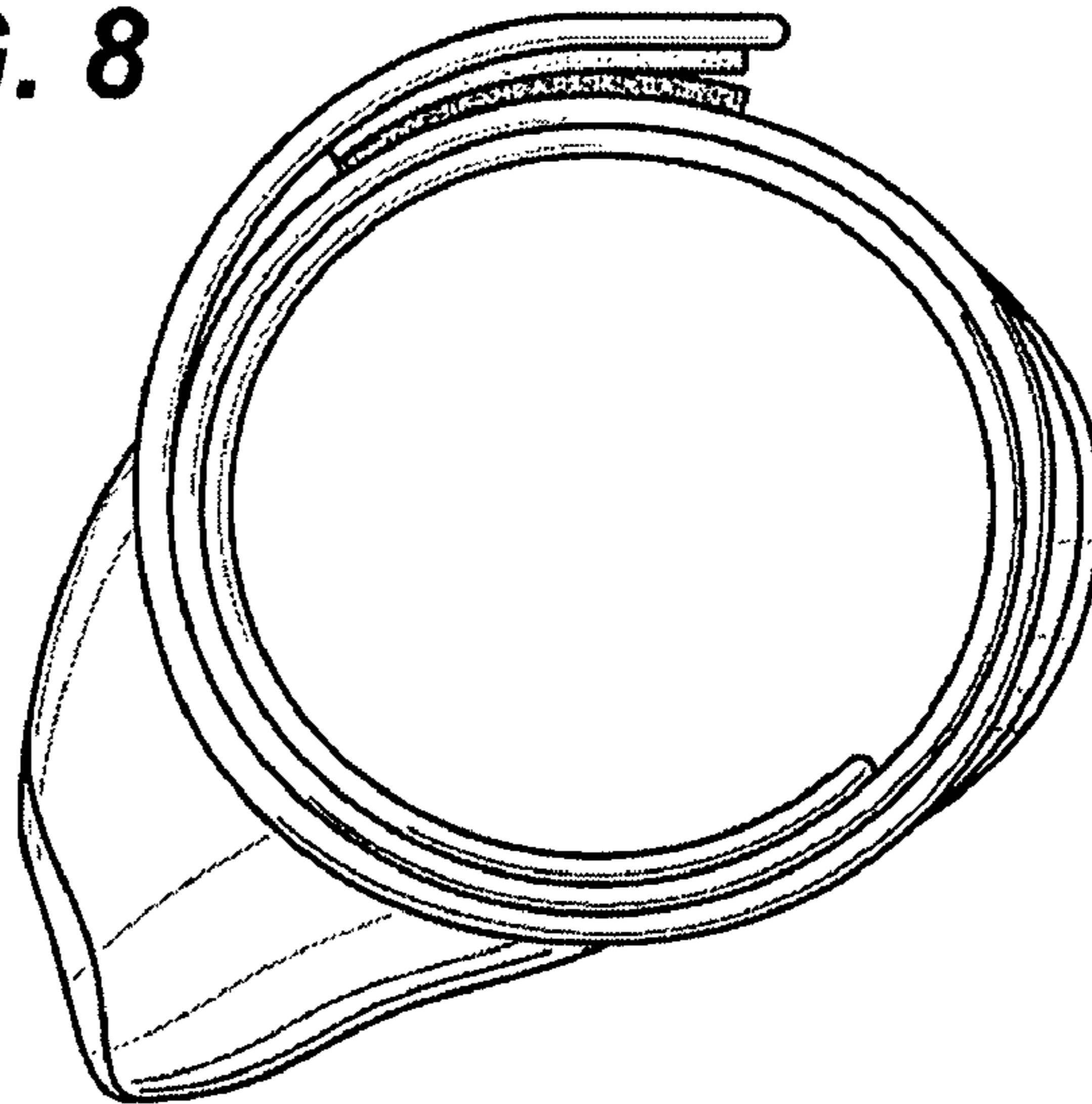


FIG. 10

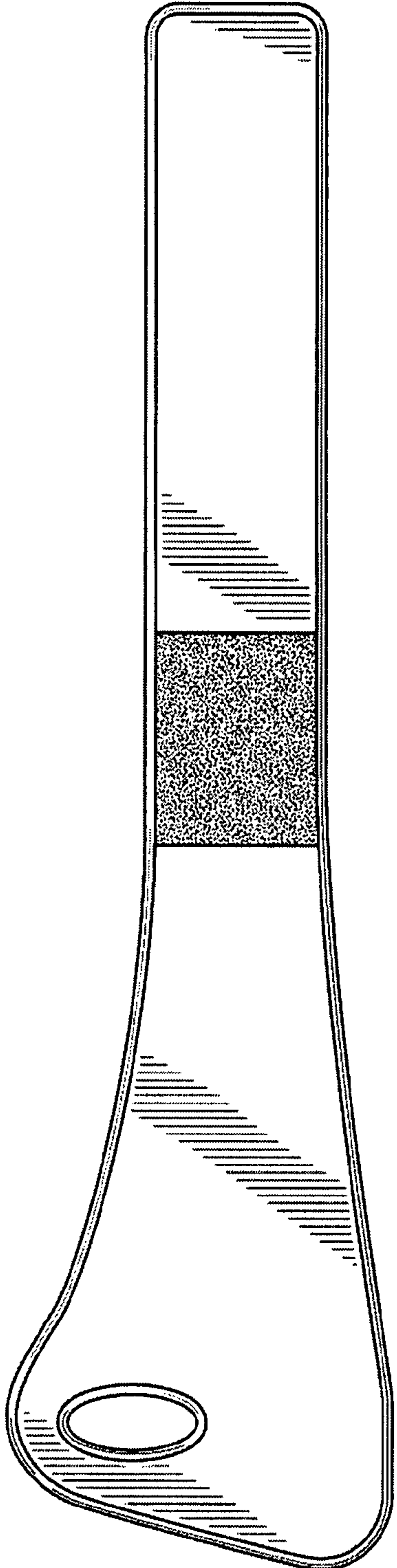


FIG. 9



FIG. 13

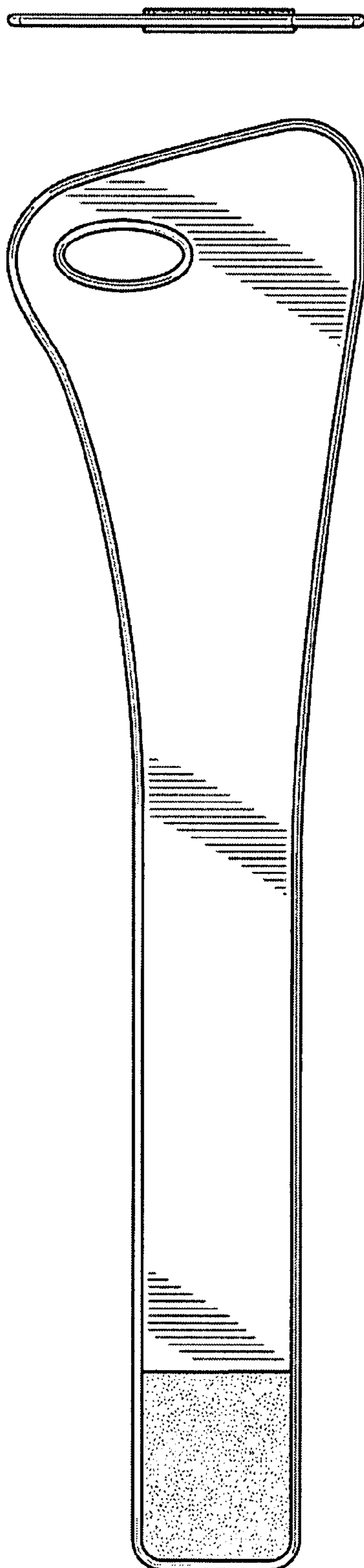


FIG. 12

FIG. 11



FIG. 14