



US00D620056S

(12) **United States Design Patent**
Yano

(10) **Patent No.:** **US D620,056 S**
(45) **Date of Patent:** **** Jul. 20, 2010**

(54) **ARITHMETIC AND CONTROL UNIT**

(75) Inventor: **Ken Yano**, Tokyo (JP)
(73) Assignee: **Sony Computer Entertainment Inc.**,
Tokyo (JP)
(**) Term: **14 Years**
(21) Appl. No.: **29/311,871**
(22) Filed: **Jul. 20, 2009**

(30) **Foreign Application Priority Data**

Feb. 12, 2009 (JP) D2009-002843

(51) **LOC (9) Cl.** **21-01**

(52) **U.S. Cl.** **D21/329; D14/345**

(58) **Field of Classification Search** D14/341-347,
D14/138.1, 138 AA, 138 R, 138 AB, 18 AC,
D14/138 AD, 138 C, 138 G, 496, 203.1,
D14/203.3, 203.4, 203.5, 203.6, 203.7, 402-411,
D14/431, 417, 426, 427, 428, 432, 429, 129,
D14/130, 420, 439-441, 448, 125, 137, 138,
D14/147, 156, 218, 247-248, 250, 389; D10/65,
D10/104; D21/324, 329, 330, 331; 455/556.1,
455/556.2, 566, 575.1, 575.3, 575.4, 90.3,
455/6.1; 379/433.04, 433.11, 433.12, 433.13,
379/910, 916, 433.01, 433.06, 433.07; 345/169,
345/901, 905; 361/814; 341/122; 346/173;
273/454-456, 459-461, 153 R, 148 R, 148 B,
273/259, 138.2, 237; 463/1, 46, 47, 47.3;
D19/36-37, 41-51, 54-57, 60

See application file for complete search history.

(56) **References Cited**

U.S. PATENT DOCUMENTS

D343,618 S 1/1994 Hayasaka et al.

(Continued)

FOREIGN PATENT DOCUMENTS

CN 3334113 S 3/2003

(Continued)

OTHER PUBLICATIONS

Web page, "mylo" <http://www.sony.jp/products/Consumer/Mylo/>, 2 pages, Sony, Sep. 2004.

(Continued)

Primary Examiner—Cathron C Brooks

Assistant Examiner—Barbara Fox

(74) *Attorney, Agent, or Firm*—Rader, Fishman & Grauer PLLC

(57) **CLAIM**

The ornamental design for an arithmetic and control unit, as shown.

DESCRIPTION

FIG. 1 is a front elevational view of an arithmetic and control unit showing my new design;

FIG. 2 is a rear elevational view thereof;

FIG. 3 is a left side elevational view thereof;

FIG. 4 is a right side elevational view thereof;

FIG. 5 is a top plan view thereof;

FIG. 6 is a bottom plan view thereof;

FIG. 7 is a front, top, left perspective view thereof;

FIG. 8 is a front, bottom, right perspective view thereof;

FIG. 9 is a rear, top, left perspective view thereof;

FIG. 10 is a front elevational view thereof in the open position;

FIG. 11 is a rear elevational view thereof;

FIG. 12 is a left side elevational view thereof;

FIG. 13 is a right side elevational view thereof;

FIG. 14 is a top plan view thereof;

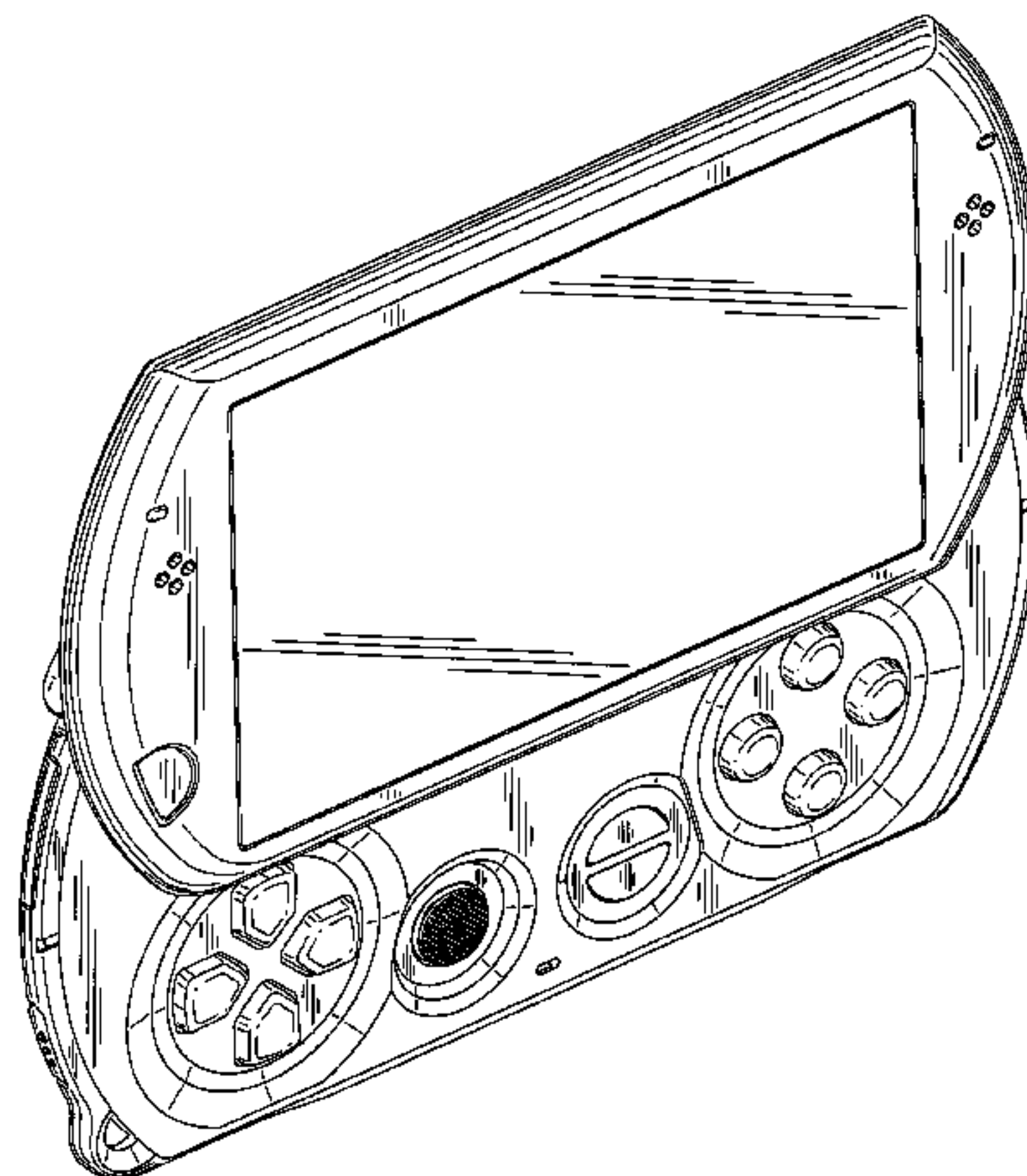
FIG. 15 is a bottom plan view thereof;

FIG. 16 is a front, top, left perspective view thereof;

FIG. 17 is a front, bottom, right perspective view thereof; and,

FIG. 18 is a rear, top, left perspective view thereof.

1 Claim, 18 Drawing Sheets



US D620,056 S

U.S. PATENT DOCUMENTS			FOREIGN PATENT DOCUMENTS		
D346,366 S	4/1994	Kim et al.	D529,493 S	* 10/2006	Ogasawara D14/356
D346,793 S	5/1994	Iino et al.	D531,607 S	11/2006	Kim et al.
D352,034 S	11/1994	Scheid et al.	D532,051 S	* 11/2006	Sugino et al. D21/330
D352,504 S	11/1994	Scheid et al.	D532,791 S	11/2006	Kim
D355,657 S	2/1995	Scheid et al.	D536,329 S	2/2007	Lee
D355,896 S	2/1995	Gaultier	D538,252 S	3/2007	Joung
D356,548 S	3/1995	Bottcher et al.	D538,773 S	3/2007	Joung
D357,003 S	4/1995	Yamazaki	D541,783 S	5/2007	Lee
D361,552 S	8/1995	Iino	D542,769 S	5/2007	Hwang et al.
D371,387 S	7/1996	Woock	D543,183 S	5/2007	Cho et al.
D375,743 S	11/1996	Nishii et al.	D543,193 S	5/2007	Chung et al.
D386,099 S	11/1997	Billington	D543,979 S	6/2007	Lee
D401,914 S	12/1998	Kamegi	D544,460 S	6/2007	Yau
5,859,594 A	1/1999	King et al.	D545,287 S	6/2007	Han et al.
D408,794 S	4/1999	Ogasawara	D545,801 S	7/2007	Joung
D409,185 S	5/1999	Kawashima	D547,292 S	7/2007	Kim et al.
D409,609 S	5/1999	Goto	D548,234 S	8/2007	Kurihara
D410,463 S	6/1999	Hattori	D548,713 S	8/2007	Lee et al.
D417,657 S	12/1999	Matsumoto	D548,732 S	8/2007	Cebe et al.
D419,993 S	2/2000	Silzer, Jr.	D548,733 S	8/2007	Johansson
D425,067 S	5/2000	Nguyen et al.	D548,747 S	8/2007	Andre et al.
D426,197 S	6/2000	Colvin	D549,205 S	8/2007	Cho
D432,178 S	* 10/2000	Goto D21/330	D549,237 S	8/2007	Andre et al.
D434,087 S	* 11/2000	Goto D21/330	D550,189 S	9/2007	Kim et al.
D441,735 S	5/2001	Katayama	D550,192 S	9/2007	Kim et al.
D443,877 S	* 6/2001	Goto D14/413	D551,226 S	9/2007	Lee et al.
D448,764 S	10/2001	Marsalka et al.	D552,125 S	10/2007	Egawa
D451,505 S	12/2001	Iseki et al.	D554,098 S	10/2007	Lee
D461,175 S	8/2002	Yokota	D554,149 S	10/2007	Kim
D461,802 S	8/2002	Tu	D554,194 S	* 10/2007	Ehara et al. D21/330
D467,890 S	12/2002	Lai et al.	D554,635 S	11/2007	Chung et al.
D476,302 S	6/2003	Hwang et al.	D555,134 S	11/2007	Sung et al.
D476,327 S	6/2003	Lewis, Jr. et al.	D555,616 S	11/2007	Lin
D481,717 S	11/2003	Lewis, Jr. et al.	D556,211 S	11/2007	Howard
D481,719 S	11/2003	Okawa et al.	D557,671 S	12/2007	Kim et al.
D484,503 S	12/2003	Duarte et al.	D557,674 S	12/2007	Lee et al.
D485,265 S	1/2004	Sato et al.	D558,166 S	12/2007	Black
D486,149 S	2/2004	Kawami et al.	D558,720 S	1/2008	Lee et al.
D487,069 S	2/2004	Thaler et al.	D558,724 S	1/2008	Hsu et al.
D487,742 S	3/2004	Huang et al.	D558,755 S	* 1/2008	Tanaka D14/341
D488,469 S	4/2004	Batsikas	D558,756 S	1/2008	Andre et al.
D489,052 S	4/2004	Shiraki et al.	D558,757 S	1/2008	Andre et al.
D490,420 S	5/2004	Solomon et al.	D558,758 S	1/2008	Andre et al.
D491,173 S	6/2004	Hendel	D558,759 S	1/2008	Tanaka
D491,936 S	6/2004	Jao	D558,784 S	1/2008	Andre et al.
D494,164 S	8/2004	Wu et al.	D559,222 S	1/2008	Chen
D494,189 S	8/2004	Ko et al.	D560,192 S	1/2008	Lee et al.
D494,190 S	8/2004	Hong et al.	D560,227 S	1/2008	Bennett et al.
D496,944 S	10/2004	Huang	D560,231 S	1/2008	Lee
D498,735 S	11/2004	Chen et al.	D560,641 S	1/2008	Jung et al.
D498,754 S	11/2004	Blyth	D560,683 S	1/2008	Lee
D502,945 S	* 3/2005	Huang et al. D14/341	D561,148 S	2/2008	Chen
D503,165 S	3/2005	Tsuge	D561,153 S	2/2008	Hong et al.
D504,889 S	5/2005	Andre et al.	7,478,972 B2	* 1/2009	Takamori et al. 403/409.1
D505,676 S	5/2005	Porter et al.	D587,262 S	2/2009	Sogabe
D505,950 S	6/2005	Summit et al.	2005/0105258 A1	* 5/2005	Tanaka et al. 361/681
D506,195 S	6/2005	Leveridge et al.	2006/0258414 A1	* 11/2006	Vance et al. 455/575.7
D506,753 S	6/2005	Duarte et al.	2007/0191115 A1	* 8/2007	Lai 463/47
D510,576 S	10/2005	Summit et al.	2007/0202956 A1	* 8/2007	Ogasawara et al. 463/46
D514,558 S	2/2006	Nagel et al.	2007/0268247 A1	* 11/2007	Quatro 345/156
D515,084 S	2/2006	Schlieffers et al.	2008/0062134 A1	* 3/2008	Duarte et al. 345/169
D515,527 S	2/2006	Swallow	2008/0318647 A1	* 12/2008	Todune 455/575.4
D519,101 S	4/2006	Alwicker et al.	2009/0305783 A1	* 12/2009	Yoshino et al. 463/31
D519,116 S	* 4/2006	Tanaka et al. D14/341			
D519,500 S	4/2006	Maskatia et al.			
D524,308 S	7/2006	Lai	CN	3624249 S	3/2007
D527,000 S	8/2006	Hong et al.	CN	3626725 S	3/2007
D527,016 S	8/2006	Millora	EM	000226279-0001 S	11/2004
D528,111 S	9/2006	Jackson, Jr.	JP	D1097858 S	1/2001
D529,045 S	9/2006	Shin	JP	D1240218 S	5/2005
D529,490 S	10/2006	Jackson et al.	JP	D1278117 S	8/2006
			JP	D1329668 S	5/2008

US D620,056 S

Page 3

JP	D1365219	7/2009
JP	D1378980	2/2010
KR	D108955	10/1993
KR	30-0425353 S	9/2006

Web page, "2.5 Inch Sliding Foldable MP4", http://www.bikudo.com/product_search/details/24451/2_5_inch_sliding_foldable_mp4.html, 1 page, Eintrasse Industrial Ltd., Jan. 2008.

Web page, "Helio" http://www.thesmartpda.com/50226711/ocean_horizVert.jpg, 1 page, Jan. 2008.

Web page, http://www.ecvv.com/upload/info/China_Product_C2007828104748381497_Dual_Sliding_GSM_PDA..., 1 page, Beyond Industry, Jan. 2008.

Office Action in Taiwanese Patent Application No. 098303584, dated May 4, 2010.

* cited by examiner

OTHER PUBLICATIONS

Web page, "iRiver flowing into portable gaming?", <http://www.gamespont.com/image/6141833/iriver-flowing-into-portable-gaming/1/>, 2 pages, CBS Interactive Inc., May 2009.

FIG.1

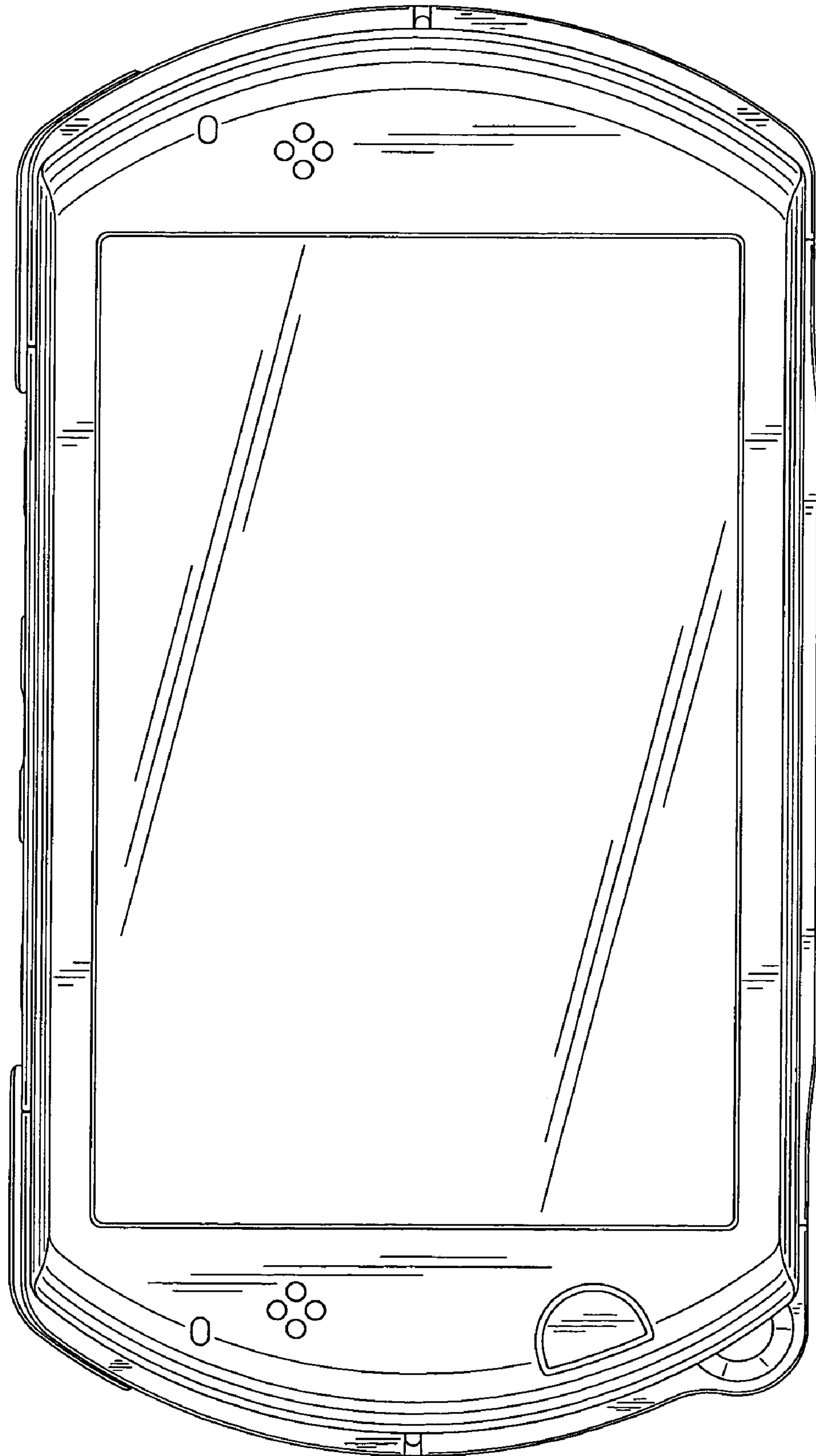


FIG.2

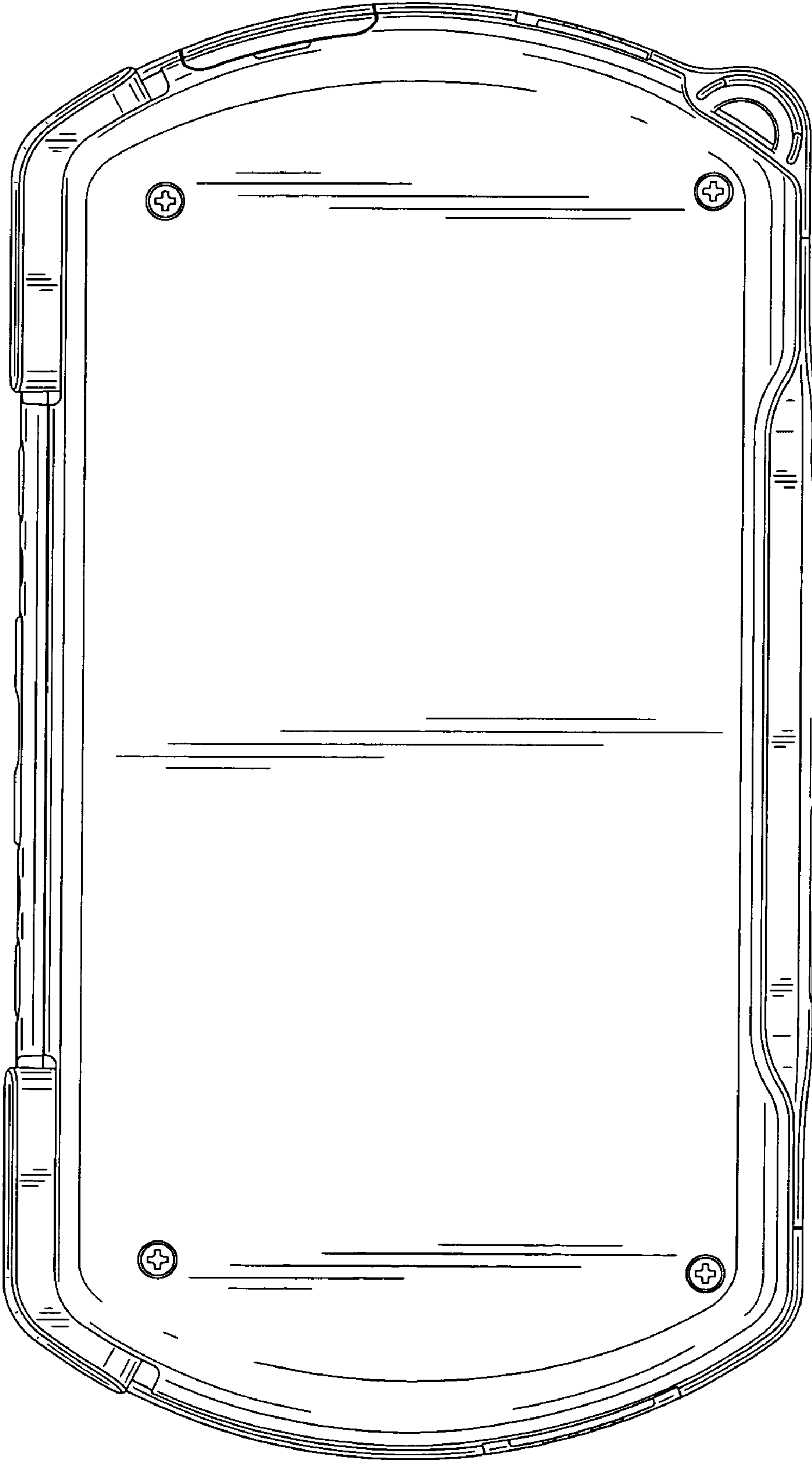


FIG. 3

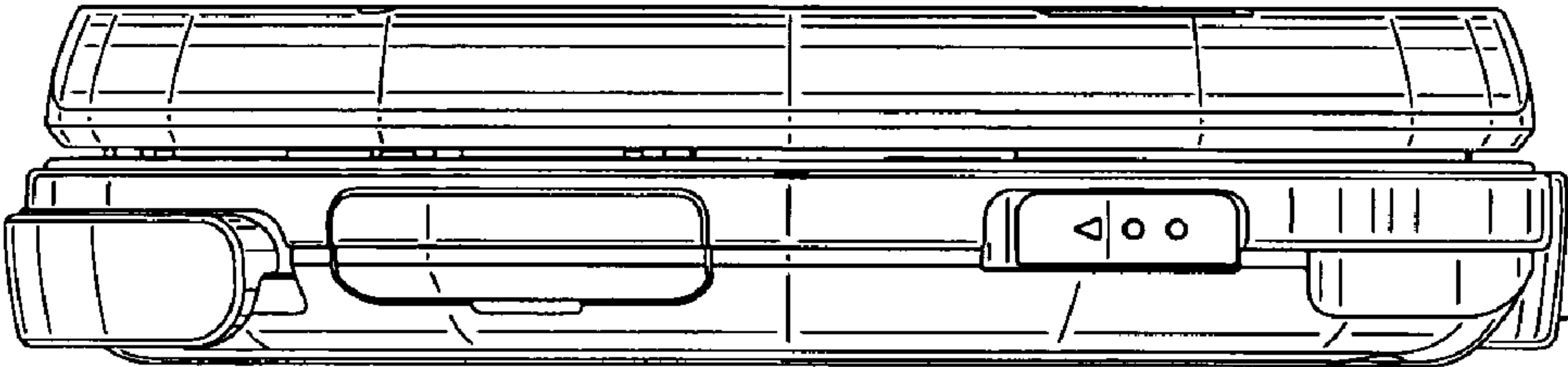


FIG. 4

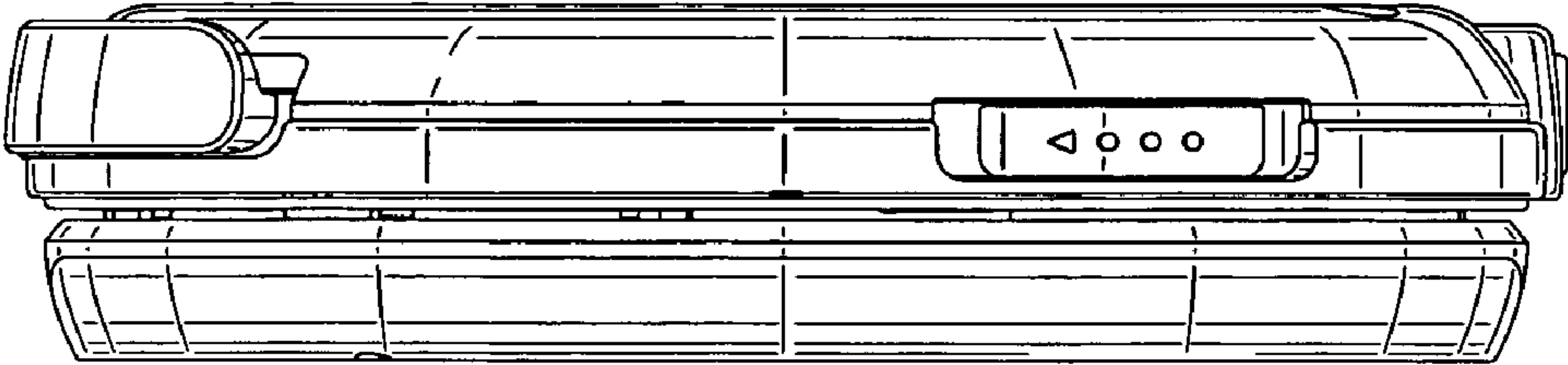


FIG. 5

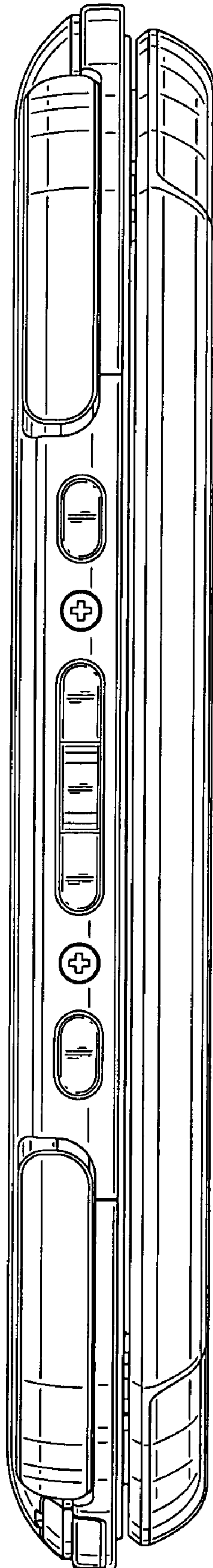


FIG.6

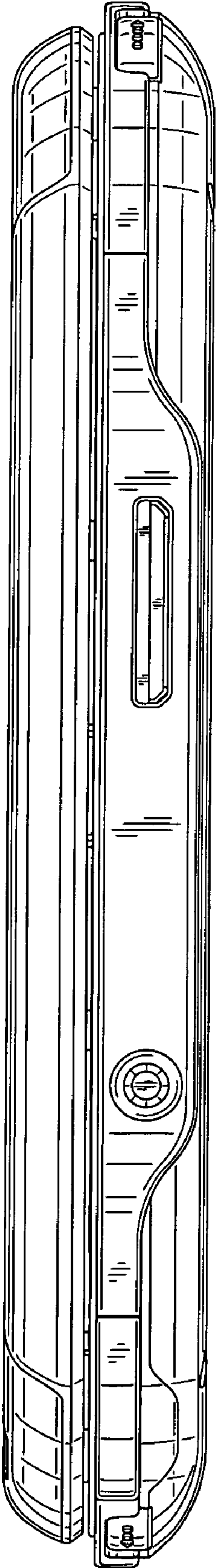


FIG.7

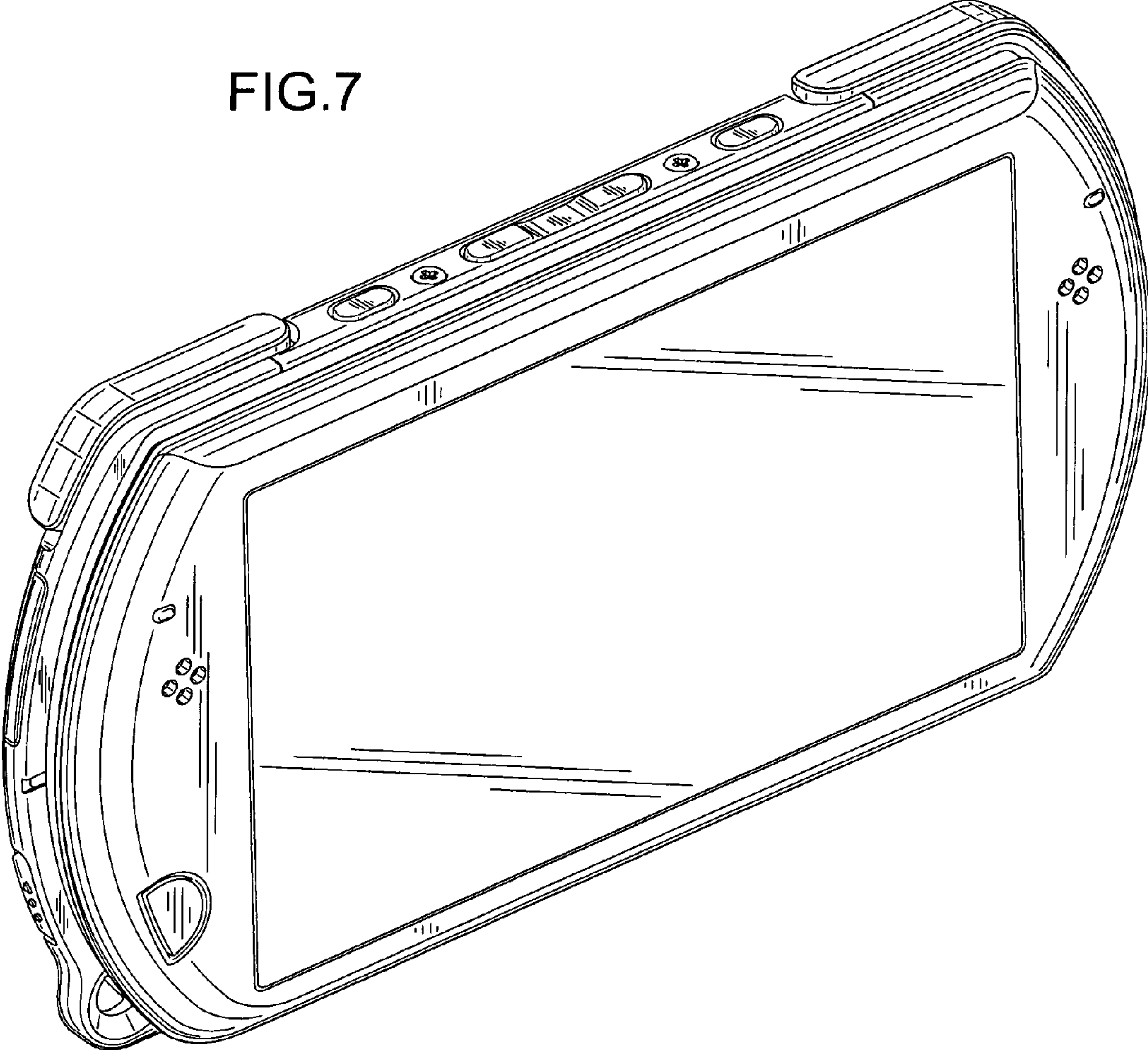


FIG.8

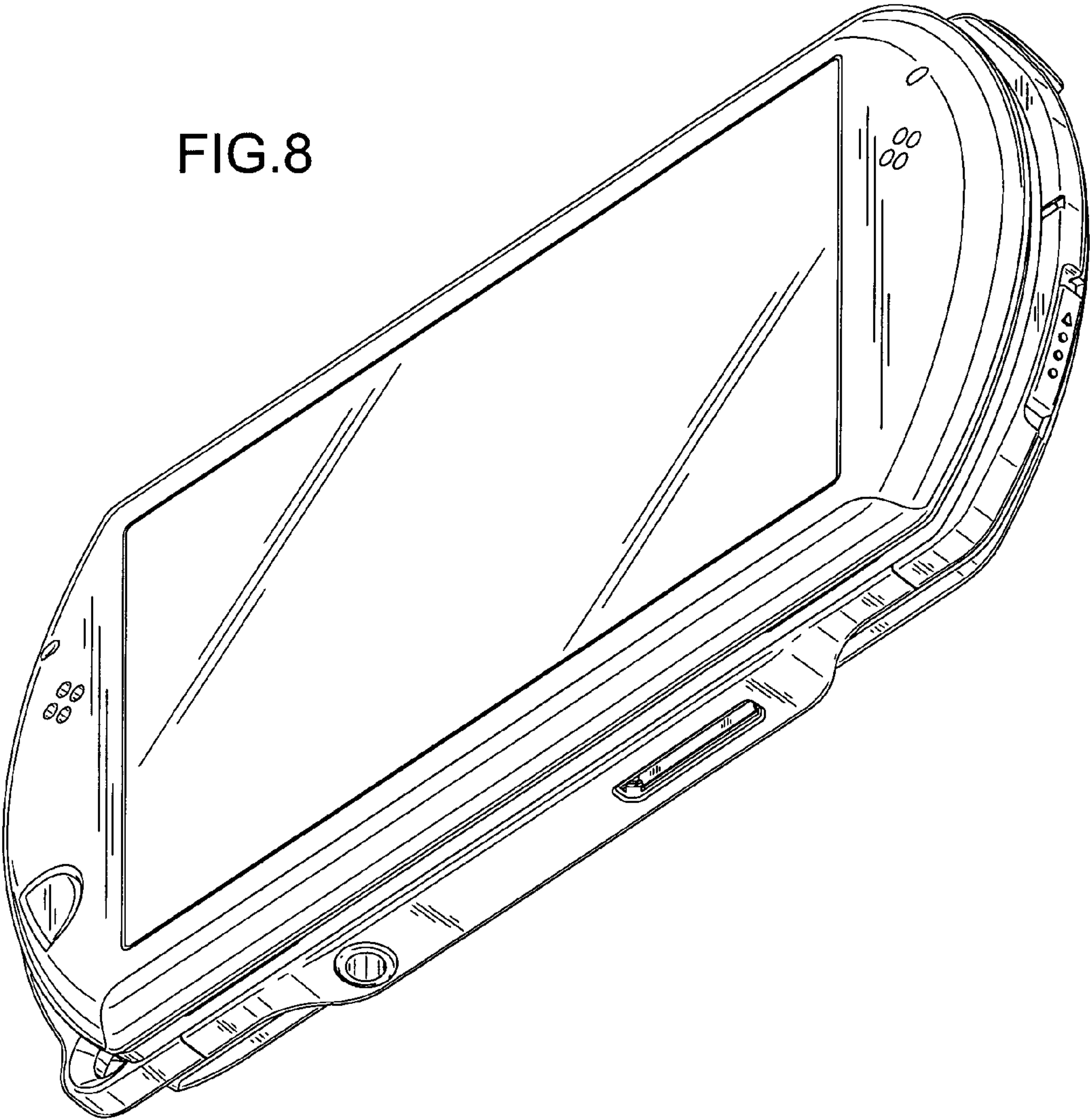
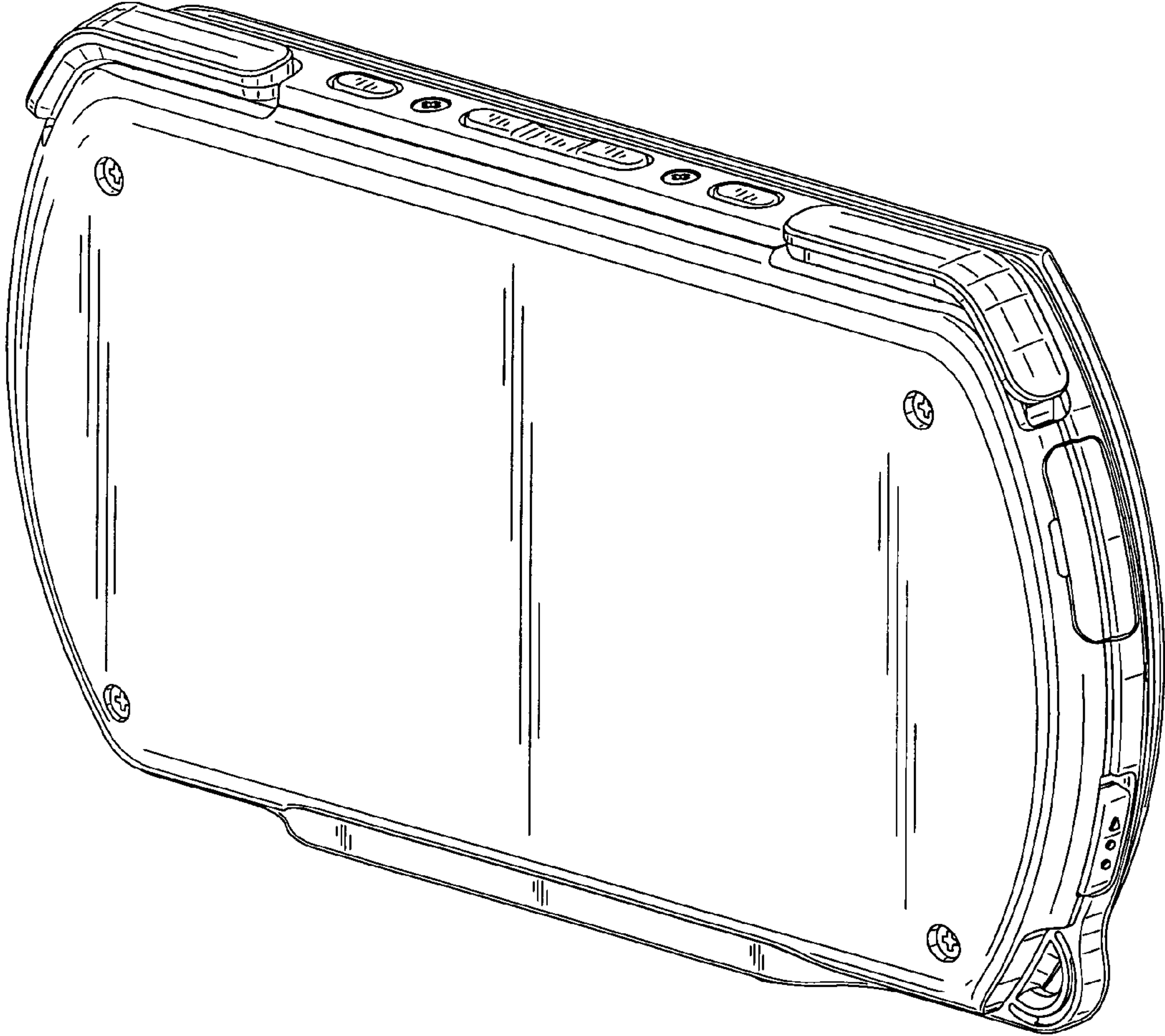


FIG.9



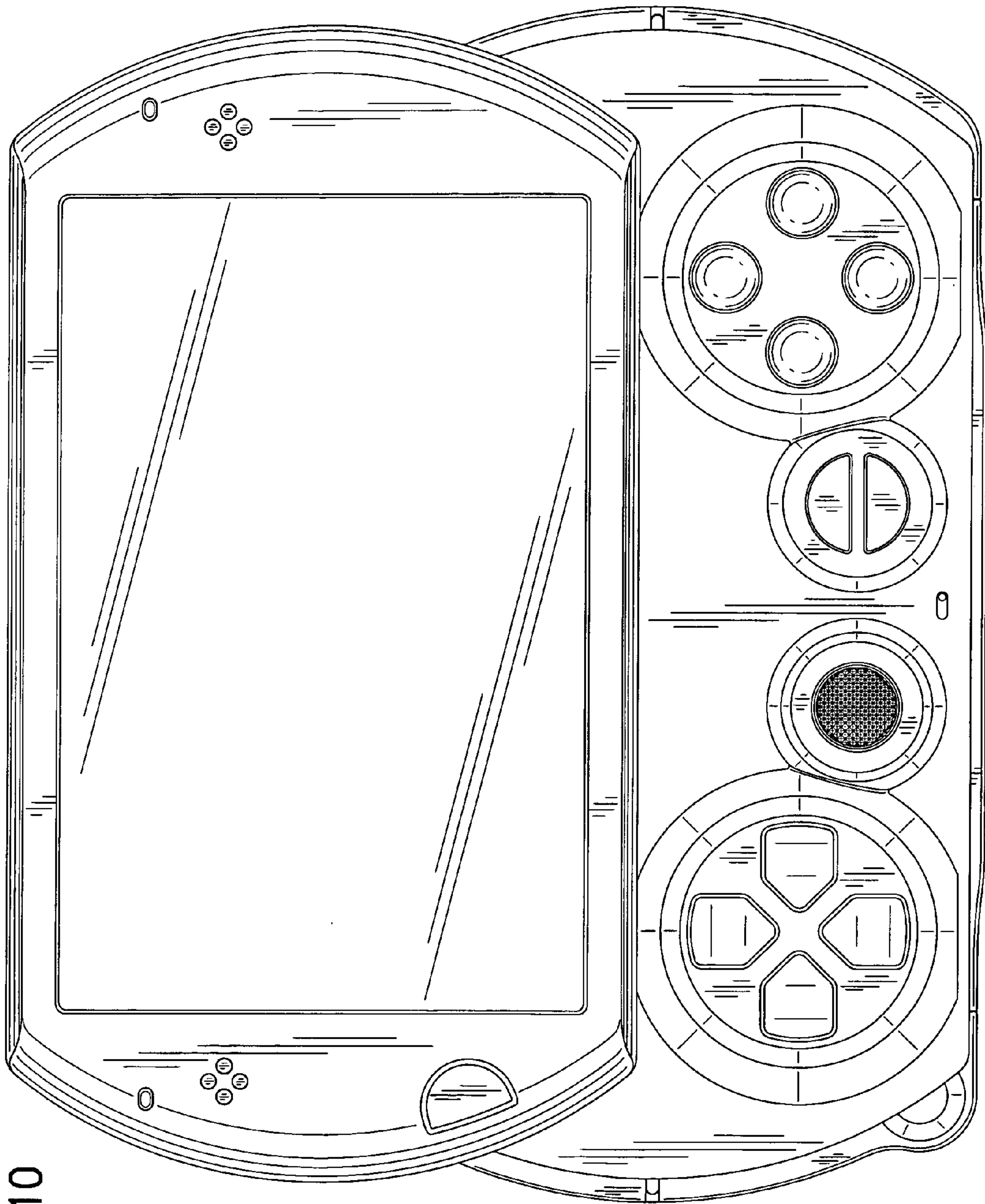


FIG.10

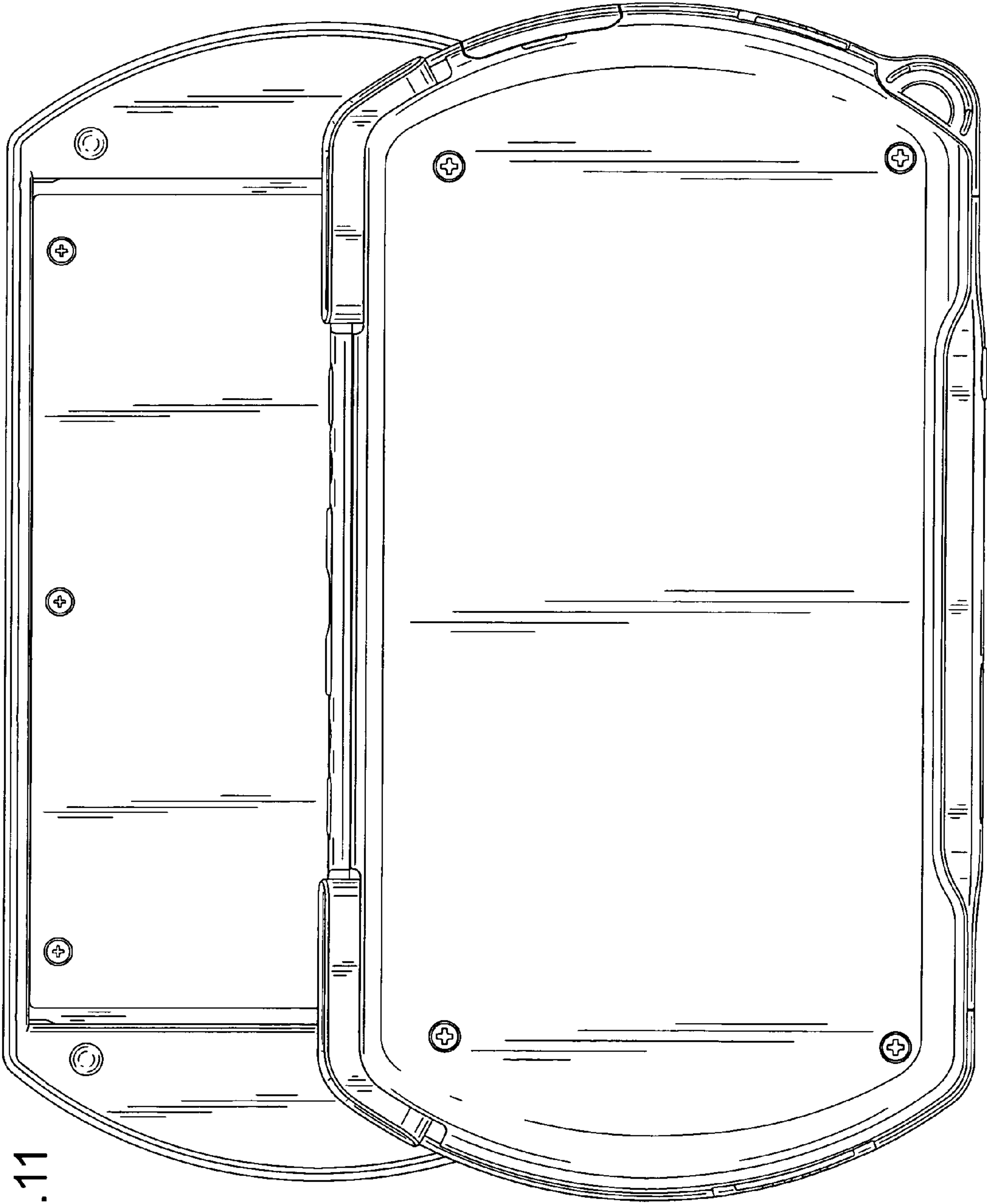


FIG.11

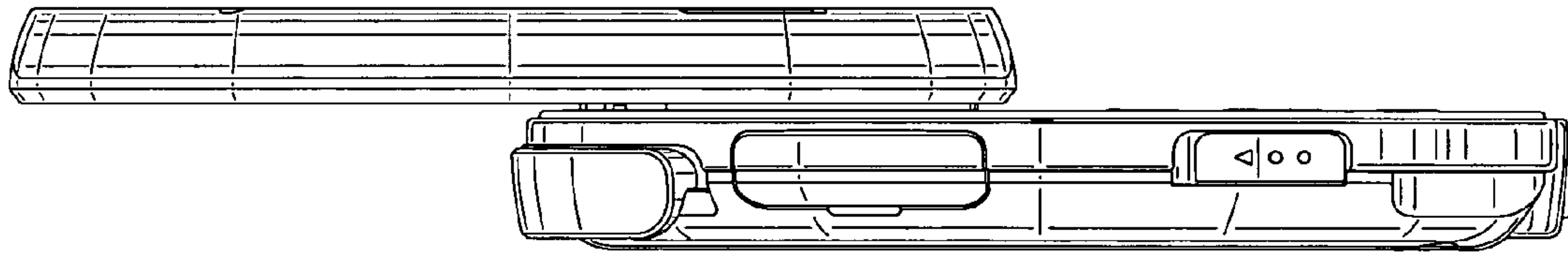


FIG.12

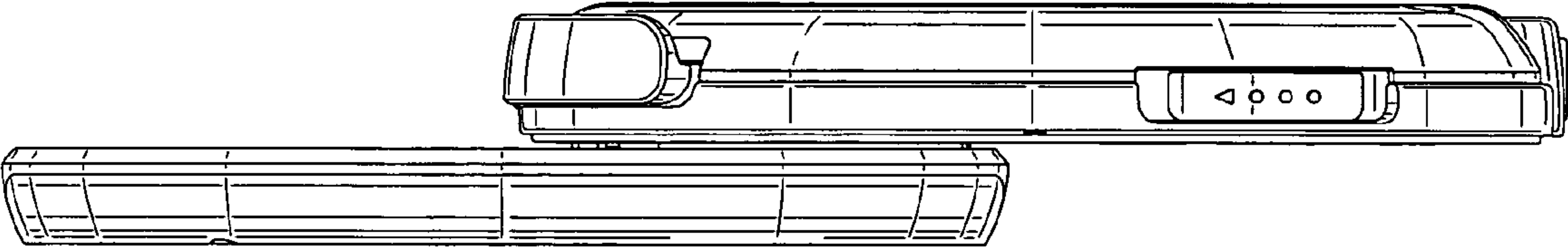


FIG.13

FIG.14

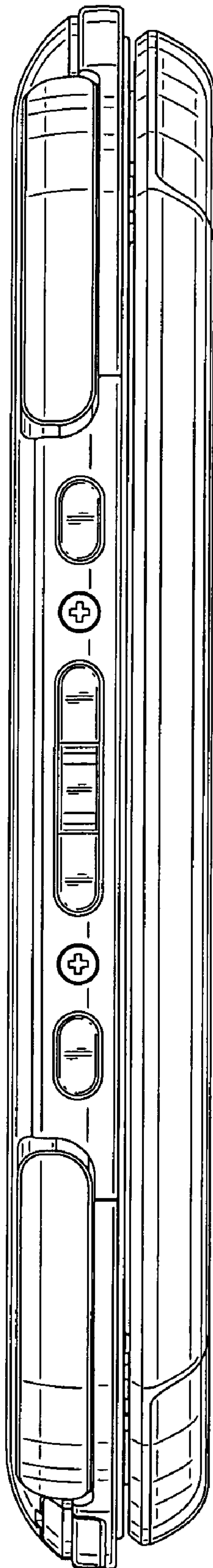


FIG.15

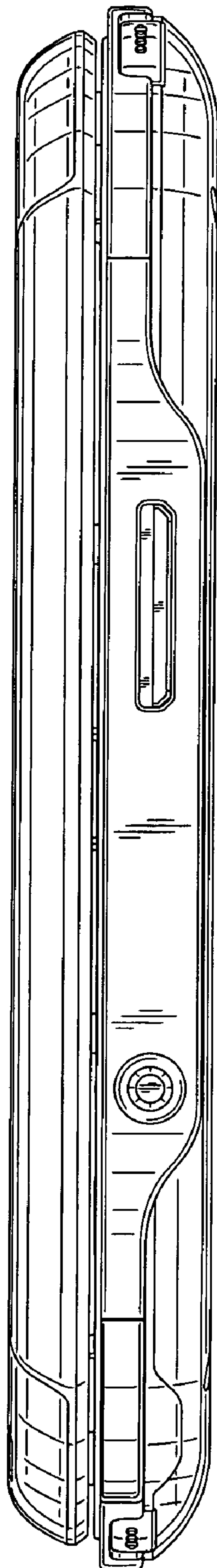


FIG.16

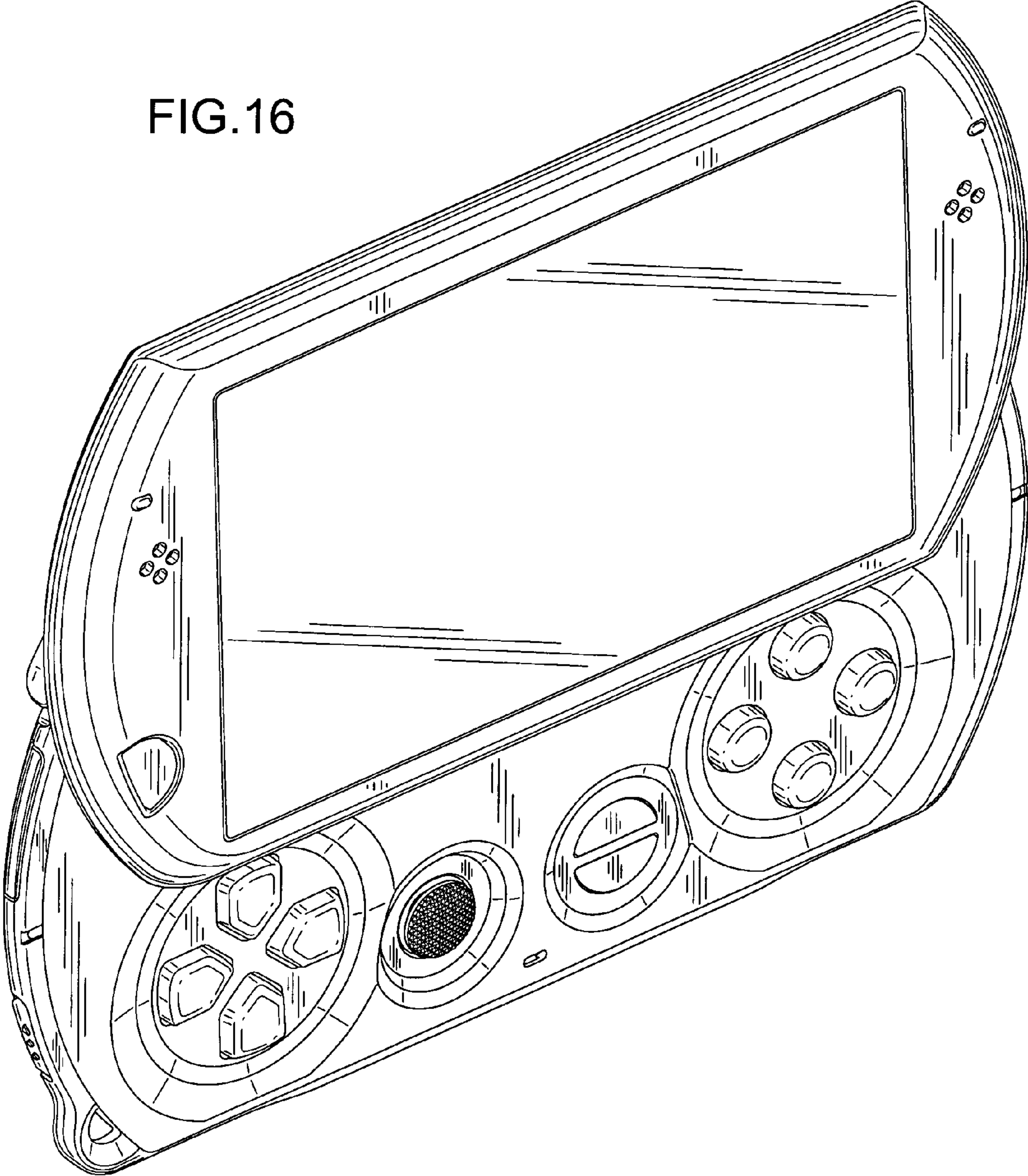


FIG.17

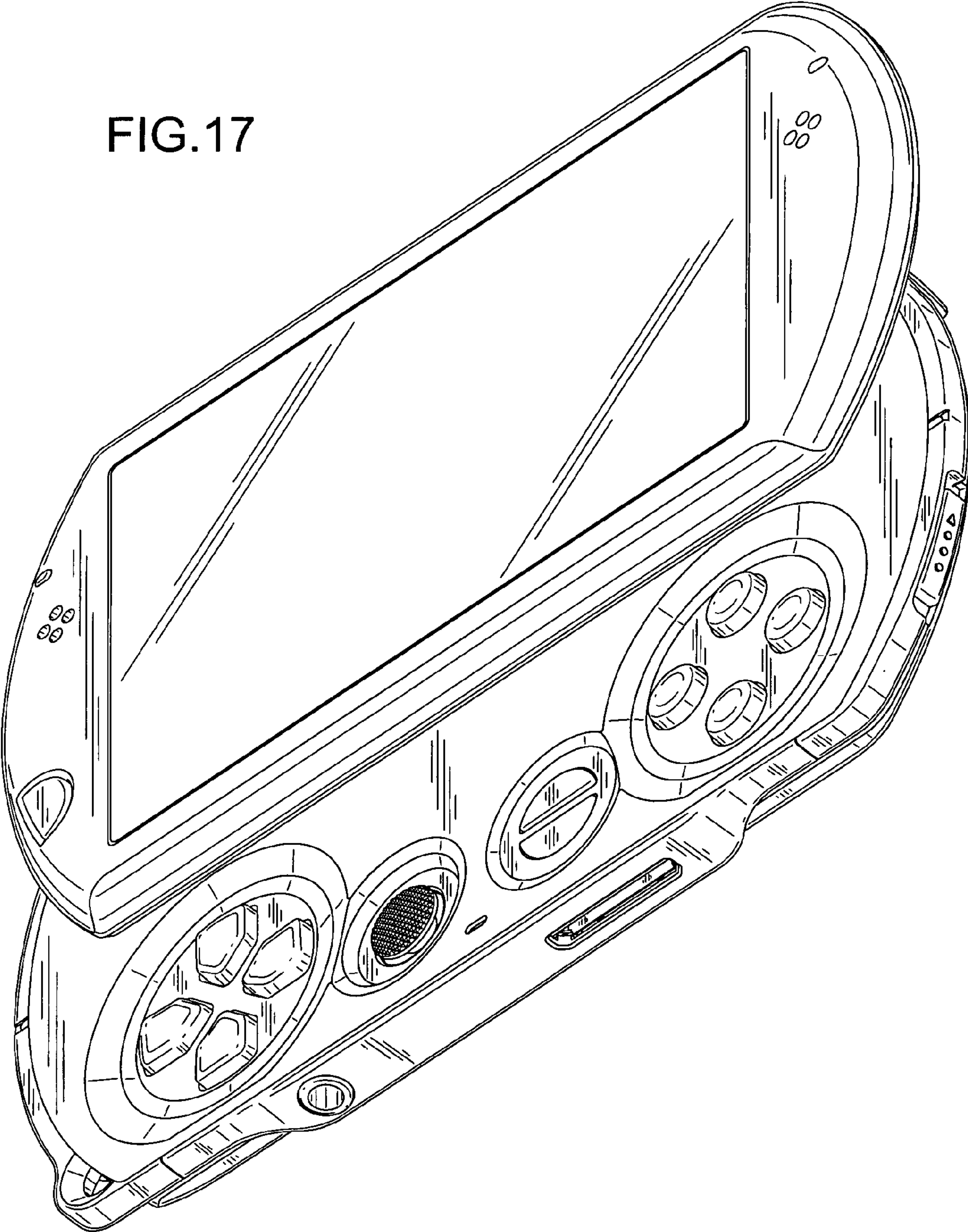


FIG.18

