



US00D620054S

(12) **United States Design Patent**
Yano

(10) **Patent No.:** **US D620,054 S**
(45) **Date of Patent:** **** Jul. 20, 2010**

(54) **ARITHMETIC AND CONTROL UNIT**

(75) Inventor: **Ken Yano**, Tokyo (JP)

(73) Assignee: **Sony Computer Entertainment Inc.**,
Tokyo (JP)

(**) Term: **14 Years**

(21) Appl. No.: **29/311,869**

(22) Filed: **Jul. 20, 2009**

(30) **Foreign Application Priority Data**

Feb. 12, 2009 (JP) D2009-002845

(51) **LOC (9) Cl.** **21-01**

(52) **U.S. Cl.** **D21/329; D14/345**

(58) **Field of Classification Search** D14/341-347,
D14/137, 138, 138.1, 138 AA, 138 R, 138 AB,
D14/18 AC, 138 AD, 138 C, 138 G, 496,
D14/203.1, 203.3, 203.4, 203.5, 203.6, 203.7,
D14/402-411, 431, 417, 426, 427, 428, 432,
D14/429, 129, 130, 420, 439-441, 448, 125,
D14/147, 156, 218, 247-248, 250, 389; D10/65,
D10/104; D21/324, 329, 330, 331; 455/556.1,
455/556.2, 566, 575.1, 575.3, 575.4, 90.3,
455/6.1; 379/433.04, 433.11, 433.12, 433.13,
379/910, 916, 433.01, 433.06, 433.07; 345/169,
345/901, 905; 361/814; 341/122; 346/173;
273/454-456, 459-461, 153 R, 148 R, 148 B,
273/259, 138.2, 237; 463/1, 46, 47, 47.3;
D19/36-37, 41-51, 54-57, 60

See application file for complete search history.

(56) **References Cited**

U.S. PATENT DOCUMENTS

D343,618 S 1/1994 Hayasaka et al.

(Continued)

FOREIGN PATENT DOCUMENTS

CN 3334113 S 3/2003

(Continued)

OTHER PUBLICATIONS

Web page, "mylo" <http://www.sony.jp/products/Consumer/Mylo/>, 2 pages, Sony, Sep. 2004.

(Continued)

Primary Examiner—Cathron C Brooks

Assistant Examiner—Barbara Fox

(74) *Attorney, Agent, or Firm*—Rader, Fishman & Grauer
PLLC

(57) **CLAIM**

The ornamental design for an arithmetic and control unit, as shown and described.

DESCRIPTION

FIG. 1 is a front elevational view of an arithmetic and control unit showing my new design;

FIG. 2 is a rear elevational view thereof;

FIG. 3 is a left side elevational view thereof;

FIG. 4 is a right side elevational view thereof;

FIG. 5 is a top plan view thereof;

FIG. 6 is a bottom plan view thereof;

FIG. 7 is a front, top, left perspective view thereof;

FIG. 8 is a front, bottom, right perspective view thereof;

FIG. 9 is a rear, top, left perspective view thereof;

FIG. 10 is a front elevational view thereof in the open position;

FIG. 11 is a rear elevational view thereof;

FIG. 12 is a left side elevational view thereof;

FIG. 13 is a right side elevational view thereof;

FIG. 14 is a top plan view thereof;

FIG. 15 is a bottom plan view thereof;

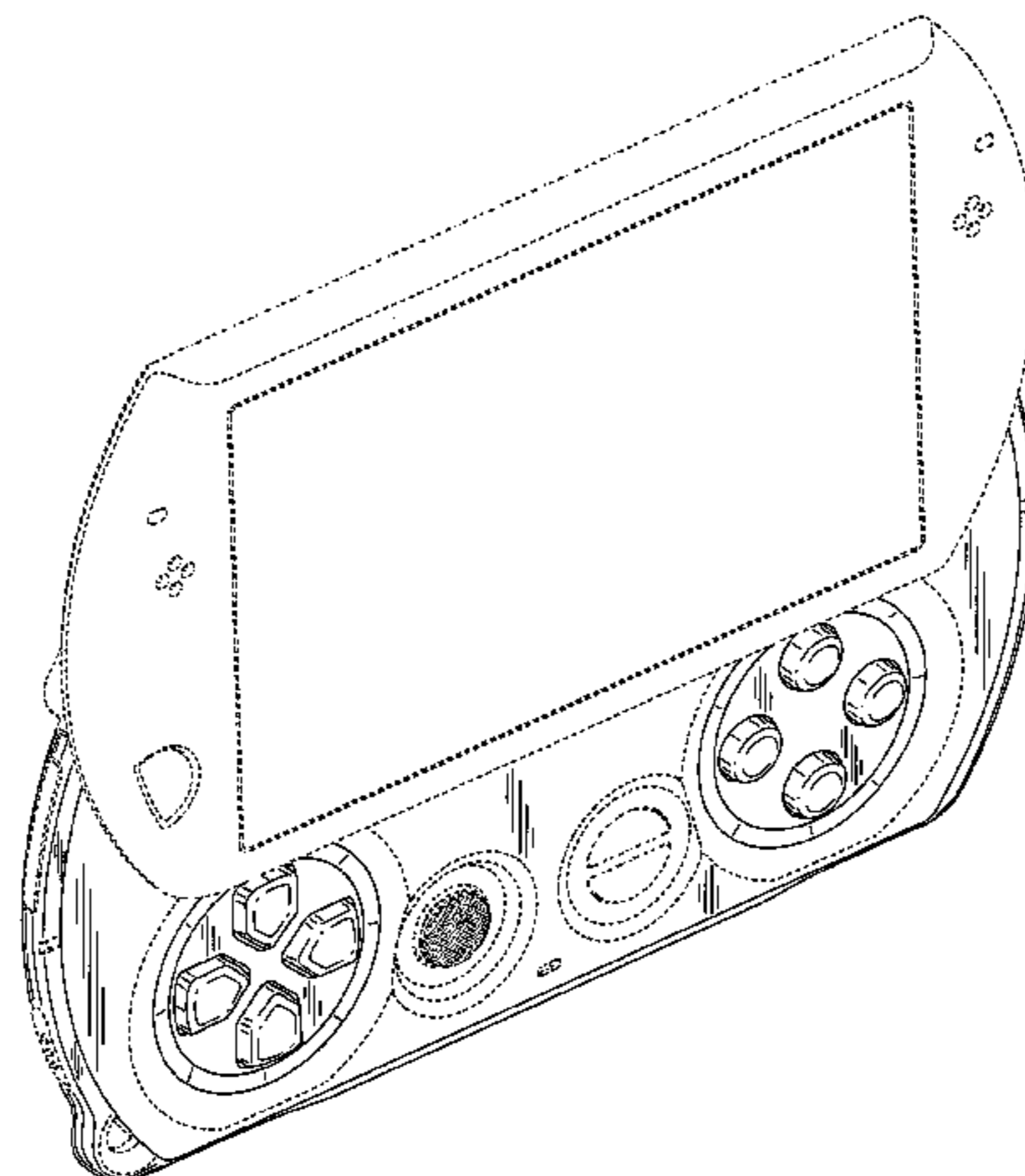
FIG. 16 is a front, top, left perspective view thereof;

FIG. 17 is a front, bottom, right perspective view thereof; and,

FIG. 18 is a rear, top, left perspective view thereof.

The broken lines shown in the drawings are for the purpose of illustrating unclaimed portions of the arithmetic and control unit and form no part of the claimed design.

1 Claim, 18 Drawing Sheets



US D620,054 S

U.S. PATENT DOCUMENTS			FOREIGN PATENT DOCUMENTS		
D346,366 S	4/1994	Kim et al.	D529,493 S	*	10/2006 Ogasawara D14/356
D346,793 S	5/1994	Iino et al.	D531,607 S		11/2006 Kim et al.
D352,034 S	11/1994	Scheid et al.	D532,051 S	*	11/2006 Sugino et al. D21/330
D352,504 S	11/1994	Scheid et al.	D532,791 S		11/2006 Kim
D355,657 S	2/1995	Scheid et al.	D536,329 S		2/2007 Lee
D355,896 S	2/1995	Gaultier	D538,252 S		3/2007 Joung
D356,548 S	3/1995	Bottcher et al.	D538,773 S		3/2007 Joung
D357,003 S	4/1995	Yamazaki	D541,783 S		5/2007 Lee
D361,552 S	8/1995	Iino	D542,769 S		5/2007 Hwang et al.
D371,387 S	7/1996	Woock	D543,183 S		5/2007 Cho et al.
D375,743 S	11/1996	Nishii et al.	D543,193 S		5/2007 Chung et al.
D386,099 S	11/1997	Billington	D543,979 S		6/2007 Lee
D401,914 S	12/1998	Kamegi	D544,460 S		6/2007 Yau
5,859,594 A	1/1999	King et al.	D545,287 S		6/2007 Han et al.
D408,794 S	4/1999	Ogasawara	D545,801 S		7/2007 Joung
D409,185 S	5/1999	Kawashima	D547,292 S		7/2007 Kim et al.
D409,609 S	5/1999	Goto	D548,234 S		8/2007 Kurihara
D410,463 S	6/1999	Hattori	D548,713 S		8/2007 Lee et al.
D417,657 S	12/1999	Matsumoto	D548,732 S		8/2007 Cebe et al.
D419,993 S	2/2000	Silzer, Jr.	D548,733 S		8/2007 Johansson
D425,067 S	5/2000	Nguyen et al.	D548,747 S		8/2007 Andre et al.
D426,197 S	6/2000	Colvin	D549,205 S		8/2007 Cho
D432,178 S	* 10/2000	Goto D21/330	D549,237 S		8/2007 Andre et al.
D434,087 S	* 11/2000	Goto D21/330	D550,189 S		9/2007 Kim et al.
D441,735 S	5/2001	Katayama	D550,192 S		9/2007 Kim et al.
D443,877 S	* 6/2001	Goto D14/413	D551,226 S		9/2007 Lee et al.
D448,764 S	10/2001	Marsalka et al.	D552,125 S		10/2007 Egawa
D451,505 S	12/2001	Iseki et al.	D554,098 S		10/2007 Lee
D461,175 S	8/2002	Yokota	D554,149 S		10/2007 Kim
D461,802 S	8/2002	Tu	D554,194 S	*	10/2007 Ehara et al. D21/330
D467,890 S	12/2002	Lai et al.	D554,635 S		11/2007 Chung et al.
D476,302 S	6/2003	Hwang et al.	D555,134 S		11/2007 Sung et al.
D476,327 S	6/2003	Lewis, Jr. et al.	D555,616 S		11/2007 Lin
D481,717 S	11/2003	Lewis, Jr. et al.	D556,211 S		11/2007 Howard
D481,719 S	11/2003	Okawa et al.	D557,671 S		12/2007 Kim et al.
D484,503 S	12/2003	Duarte et al.	D557,674 S		12/2007 Lee et al.
D485,265 S	1/2004	Sato et al.	D558,166 S		12/2007 Black
D486,149 S	2/2004	Kawami et al.	D558,720 S		1/2008 Lee et al.
D487,069 S	2/2004	Thaler et al.	D558,724 S		1/2008 Hsu et al.
D487,742 S	3/2004	Huang et al.	D558,755 S	*	1/2008 Tanaka D14/341
D488,469 S	4/2004	Batsikas	D558,756 S		1/2008 Andre et al.
D489,052 S	4/2004	Shiraki et al.	D558,757 S		1/2008 Andre et al.
D490,420 S	5/2004	Solomon et al.	D558,758 S		1/2008 Andre et al.
D491,173 S	6/2004	Hendel	D558,759 S		1/2008 Tanaka
D491,936 S	6/2004	Jao	D558,784 S		1/2008 Andre et al.
D494,164 S	8/2004	Wu et al.	D559,222 S		1/2008 Chen
D494,189 S	8/2004	Ko et al.	D560,192 S		1/2008 Lee et al.
D494,190 S	8/2004	Hong et al.	D560,227 S		1/2008 Bennett et al.
D496,944 S	10/2004	Huang	D560,231 S		1/2008 Lee
D498,735 S	11/2004	Chen et al.	D560,641 S		1/2008 Jung et al.
D498,754 S	11/2004	Blyth	D560,683 S		1/2008 Lee
D502,945 S	* 3/2005	Huang et al. D14/341	D561,148 S		2/2008 Chen
D503,165 S	3/2005	Tsuge	D561,153 S		2/2008 Hong et al.
D504,889 S	5/2005	Andre et al.	7,478,972 B2	*	1/2009 Takamori et al. 403/409.1
D505,676 S	5/2005	Porter et al.	D587,262 S		2/2009 Sogabe
D505,950 S	6/2005	Summit et al.	2005/0105258 A1	*	5/2005 Tanaka et al. 361/681
D506,195 S	6/2005	Leveridge et al.	2006/0258414 A1	*	11/2006 Vance et al. 455/575.7
D506,753 S	6/2005	Duarte et al.	2007/0191115 A1	*	8/2007 Lai 463/47
D510,576 S	10/2005	Summit et al.	2007/0202956 A1	*	8/2007 Ogasawara et al. 463/46
D514,558 S	2/2006	Nagel et al.	2007/0268247 A1	*	11/2007 Quatro 345/156
D515,084 S	2/2006	Schlieffers et al.	2008/0062134 A1	*	3/2008 Duarte et al. 345/169
D515,527 S	2/2006	Swallow	2008/0318647 A1	*	12/2008 Todune 455/575.4
D519,101 S	4/2006	Alwicker et al.	2009/0305783 A1	*	12/2009 Yoshino et al. 463/31
D519,116 S	* 4/2006	Tanaka et al. D14/341			
D519,500 S	4/2006	Maskatia et al.			
D524,308 S	7/2006	Lai			
D527,000 S	8/2006	Hong et al.	CN	3624249 S	3/2007
D527,016 S	8/2006	Millora	CN	3626725 S	3/2007
D528,111 S	9/2006	Jackson, Jr.	EM	000226279-0001 S	11/2004
D529,045 S	9/2006	Shin	JP	D1097858 S	1/2001
D529,490 S	10/2006	Jackson	JP	D1240218 S	5/2005

US D620,054 S

Page 3

JP D1278117 S 8/2006
JP D1329668 S 5/2008
KR 30-0425353 S 9/2006

OTHER PUBLICATIONS

Web page, "iRiver flowing into portable gaming?" <http://www.gamespont.com/image/6141833/iriver-flowing-into-portable-gaming/1/>, 2 pages, CBS Interactive Inc., May 2009.

Web page, "2.5 Inch Sliding Foldable MP4" http://www.bikudo.com/product_search/details/24451/2_5_inch_sliding_foldable_mp4.html, 1 page, Eintrasse Industrial Ltd., Jan. 2008.

Web page, "Helio" http://www.thesmartpda.com/50226711/ocean_horizVert.jpg, 1 page, Jan. 2008.

Web page, http://www.ecvv.com/upload/info/China_Product_C2007828104748381497_Dual_Sliding_GSM_PDA..., 1 page, Beyond Industry, Jan. 2008.

* cited by examiner

FIG.1

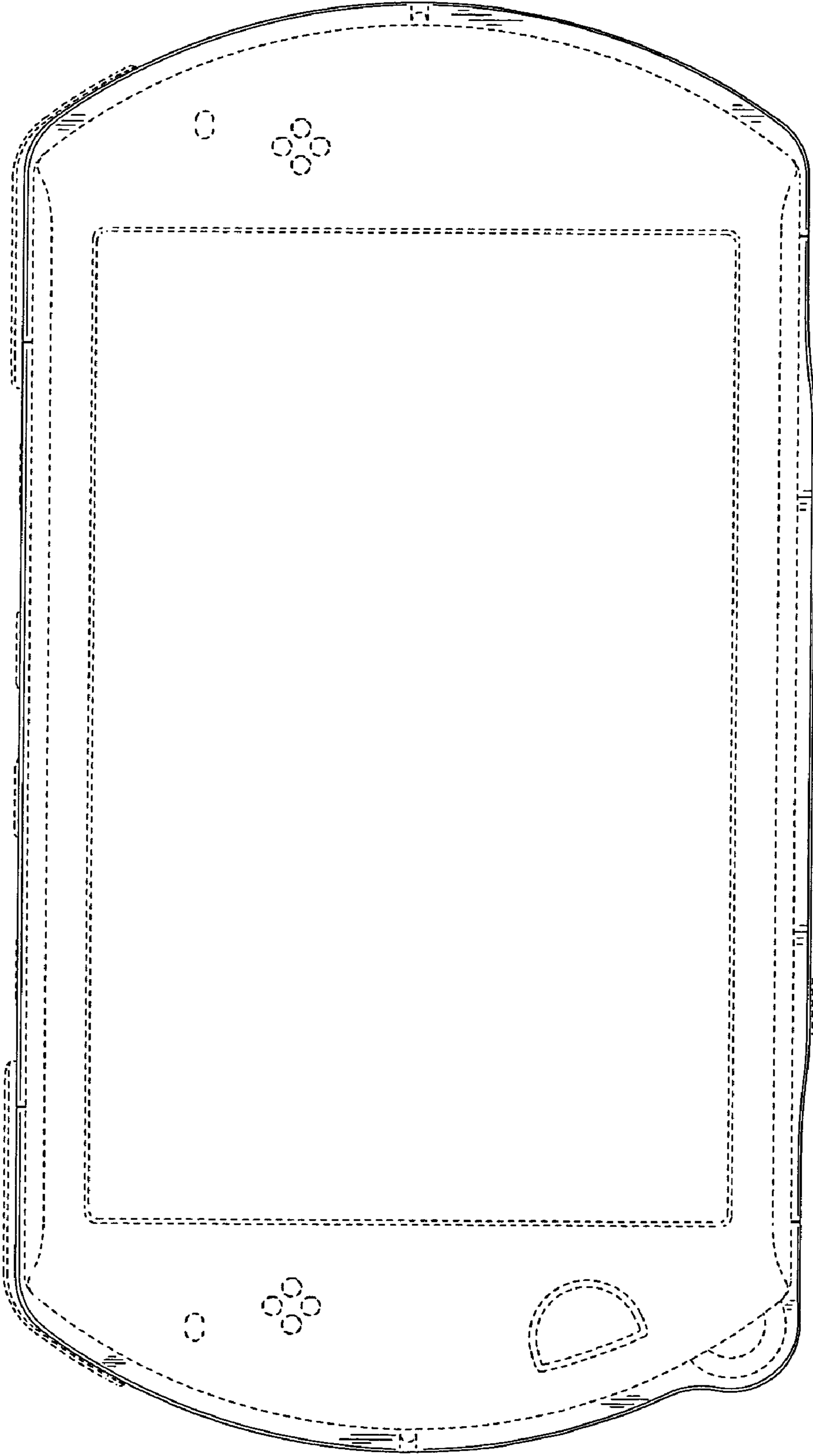


FIG.2

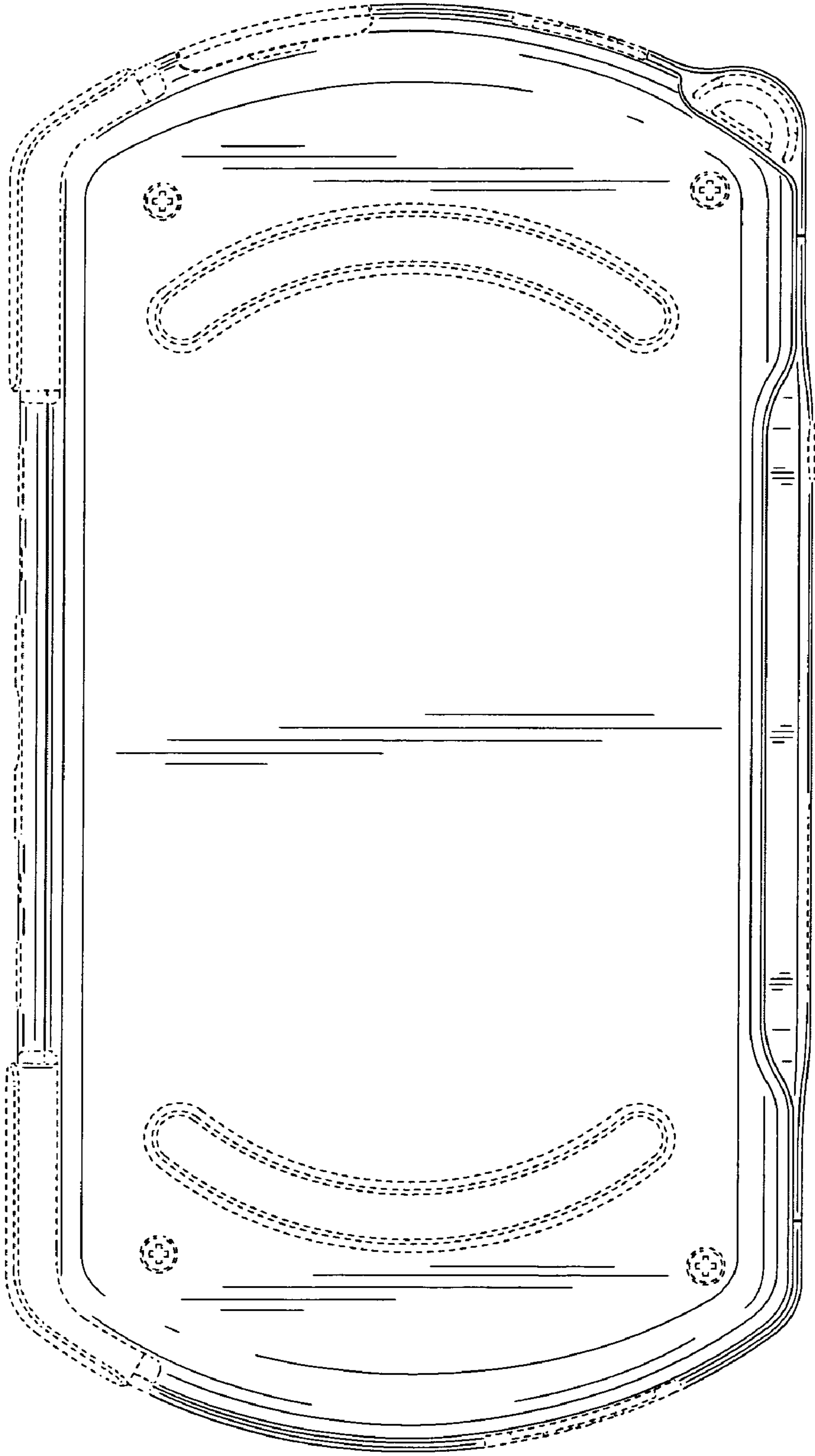


FIG. 3

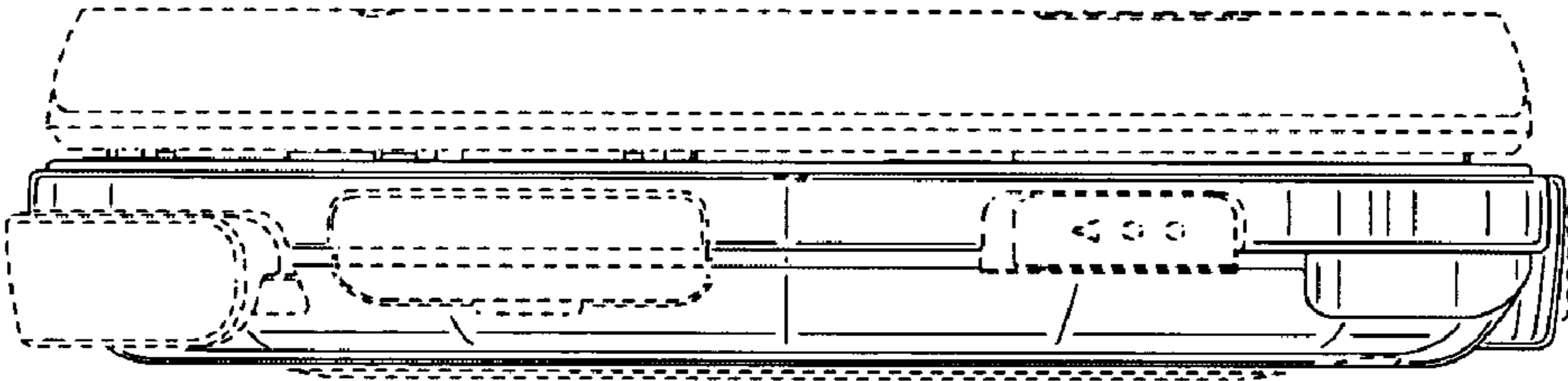


FIG. 4

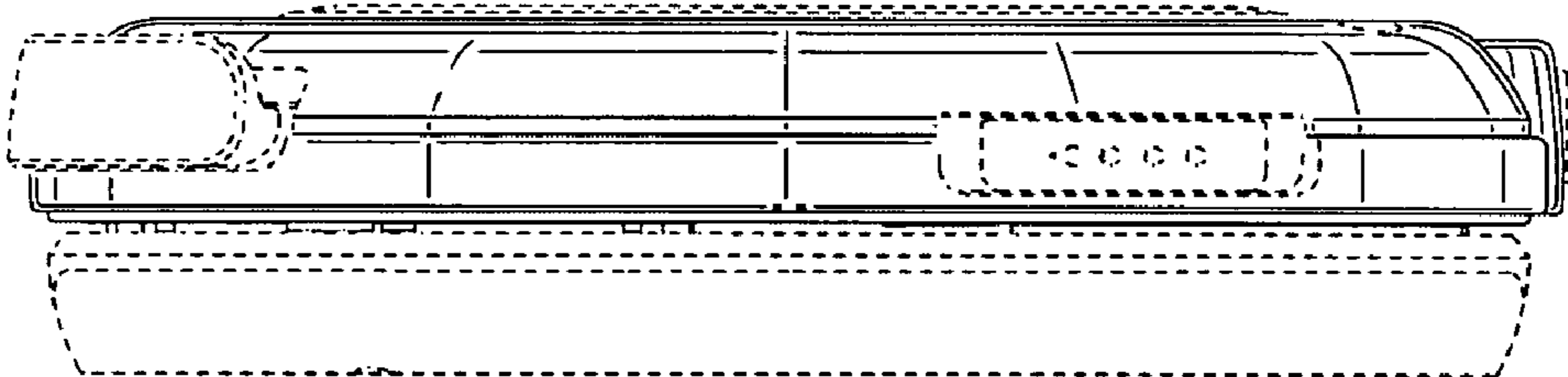


FIG. 5

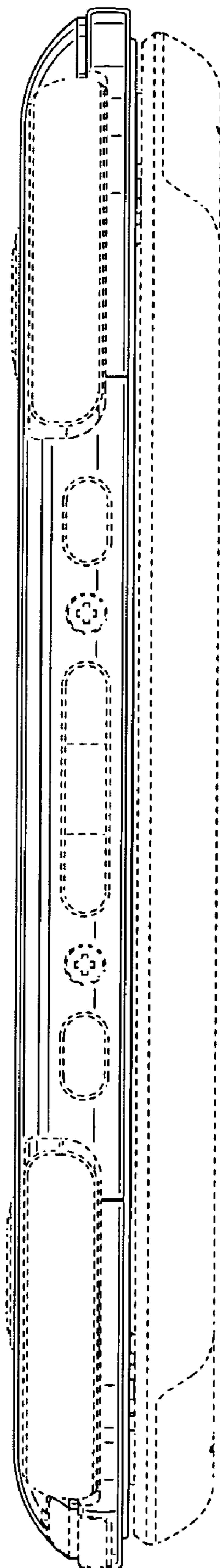


FIG. 6

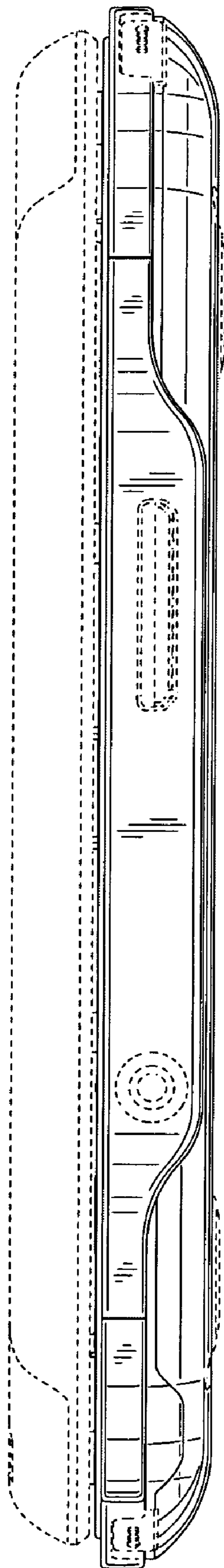


FIG.7

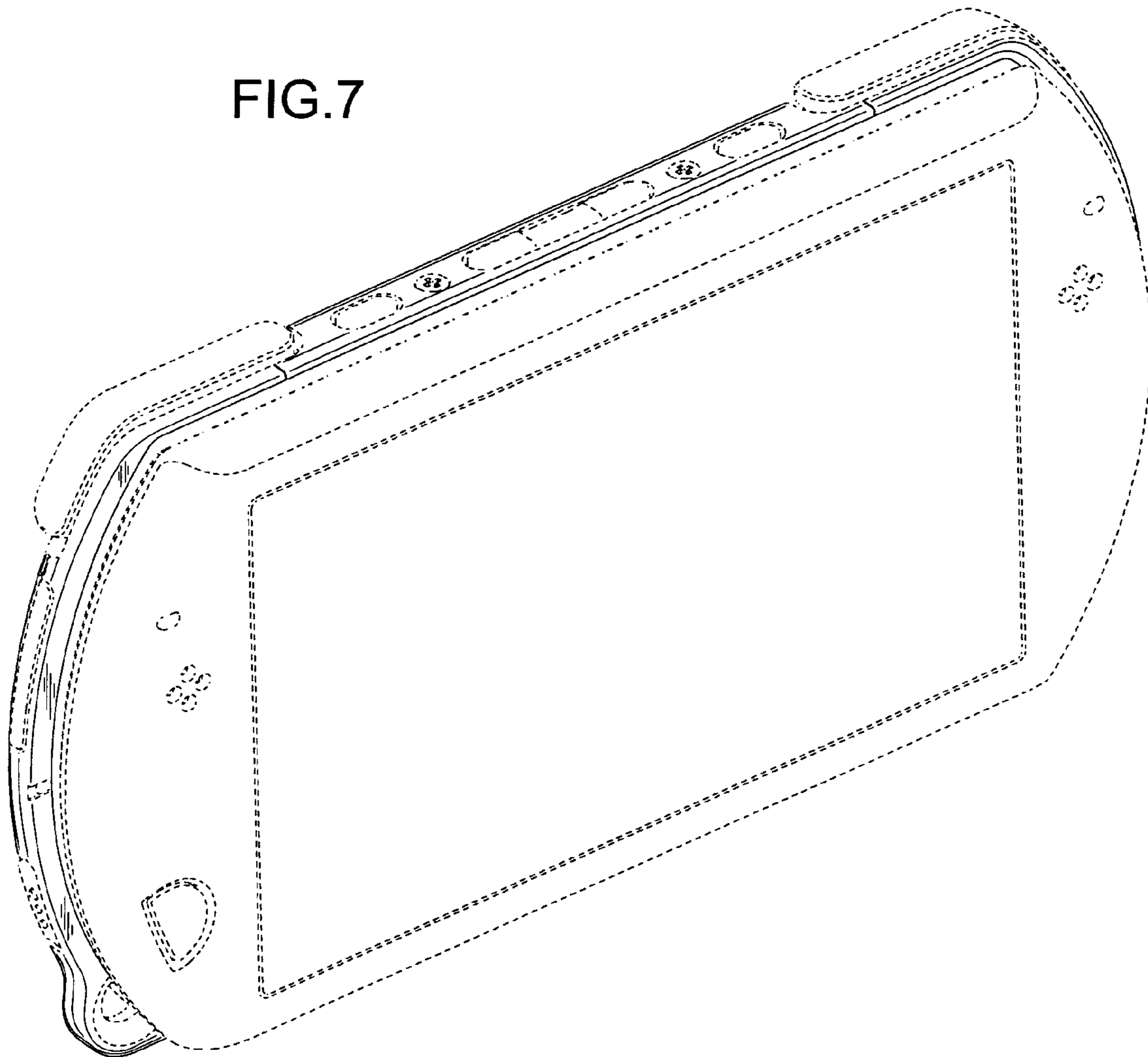


FIG.8

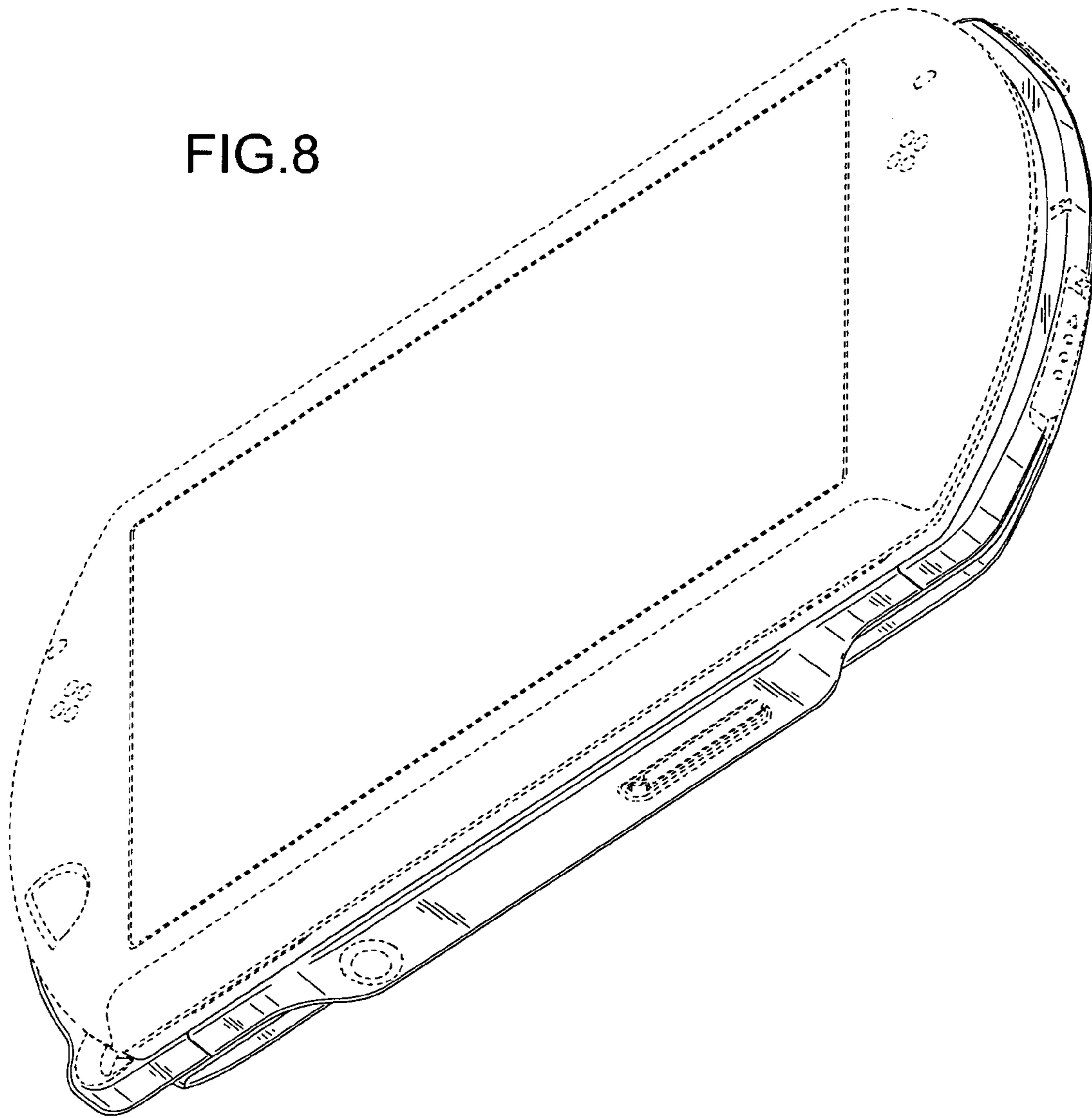
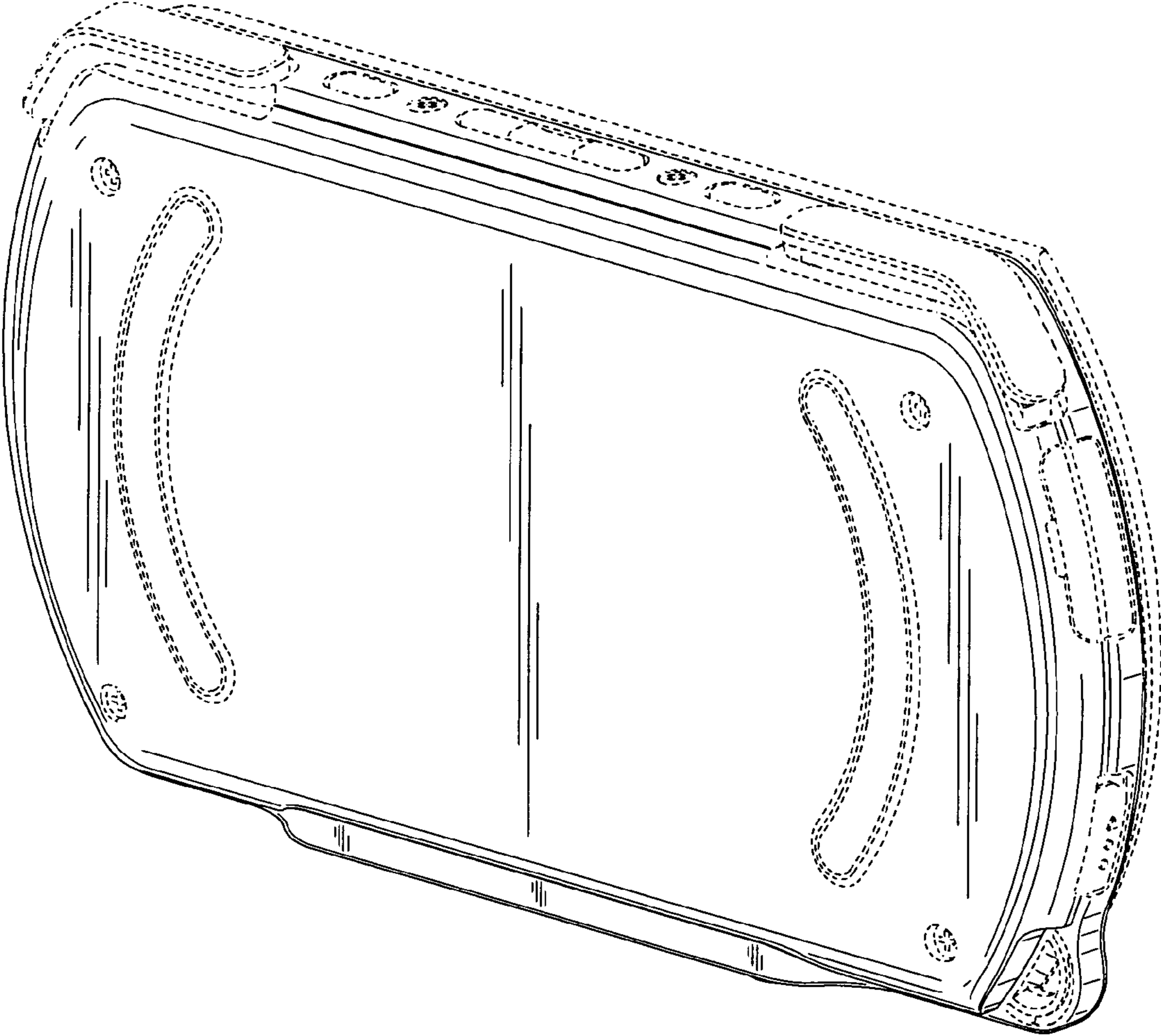


FIG.9



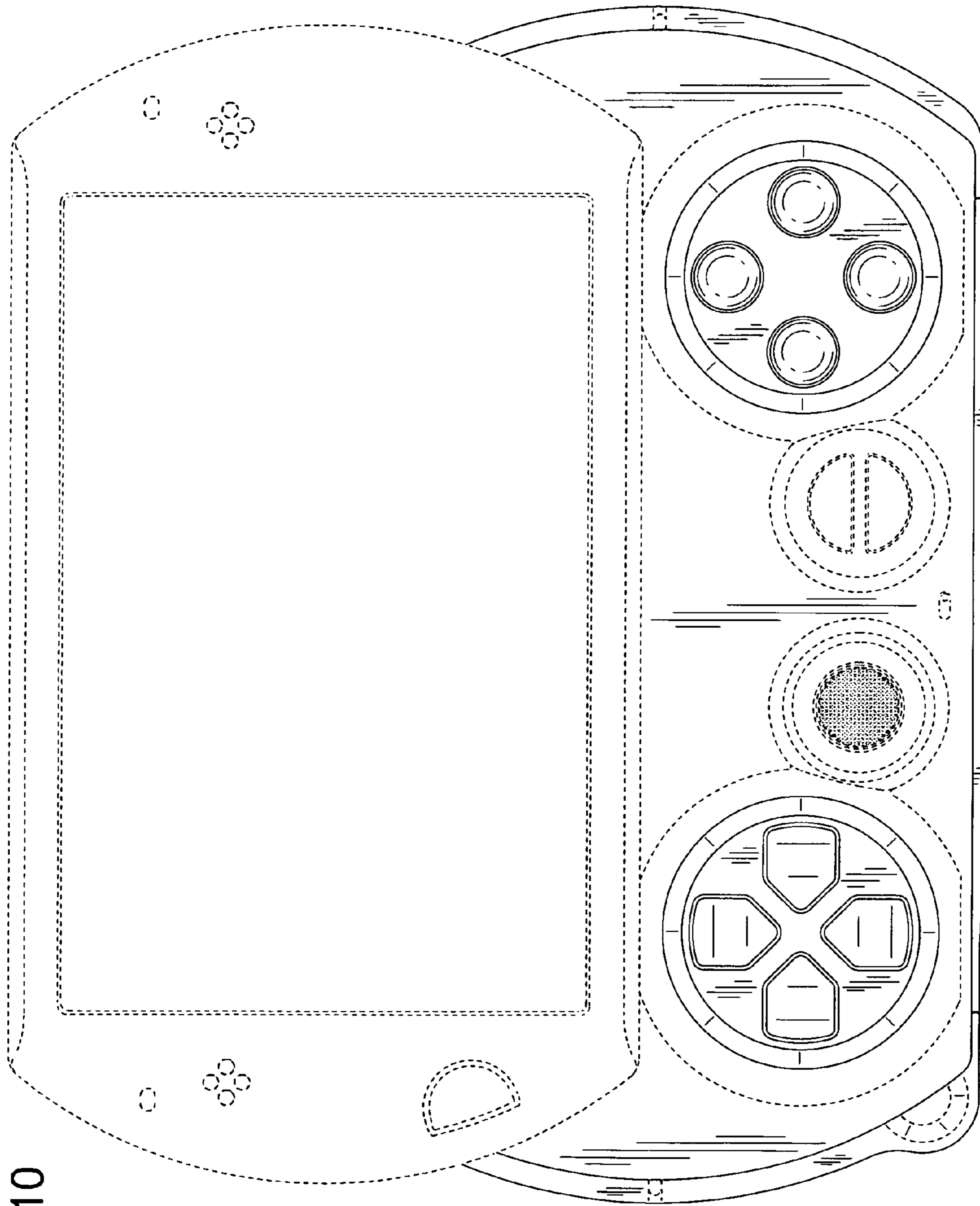


FIG. 10

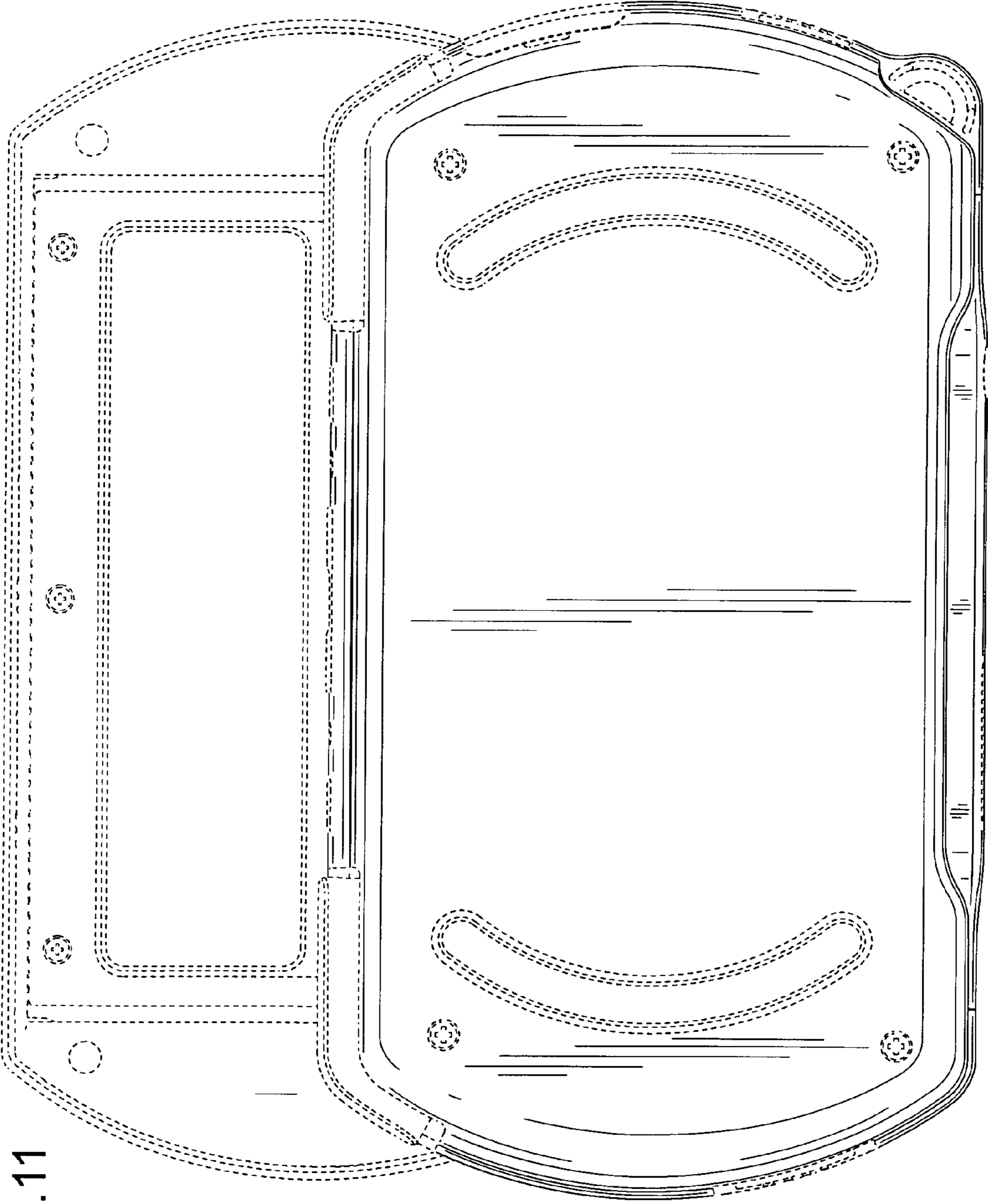


FIG.11

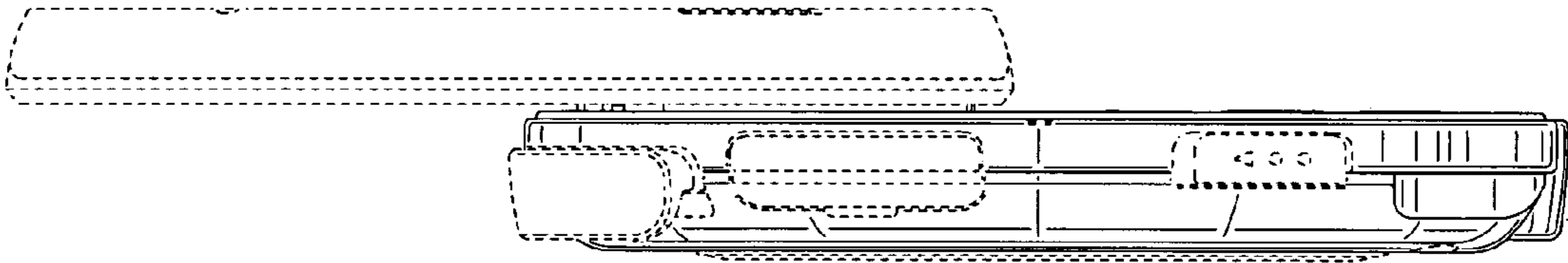


FIG.12

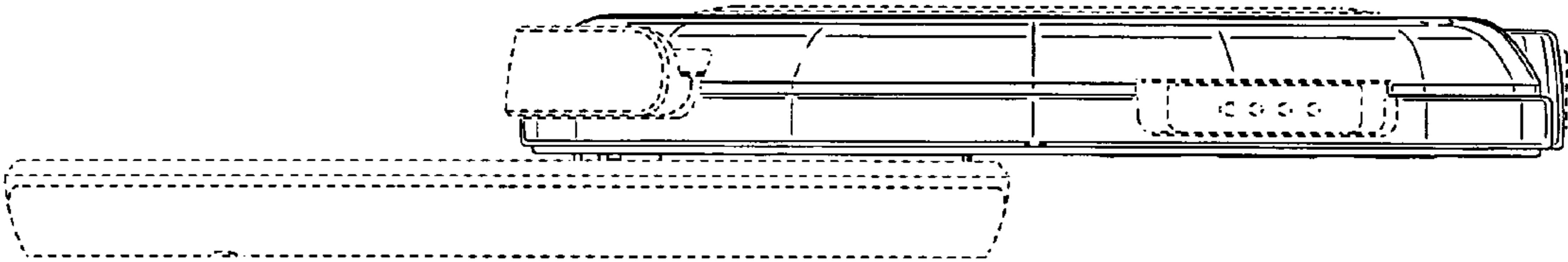


FIG.13

FIG. 14

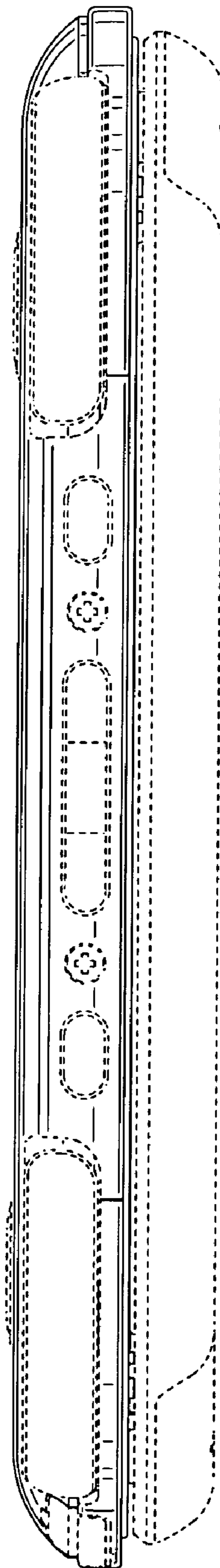


FIG.15

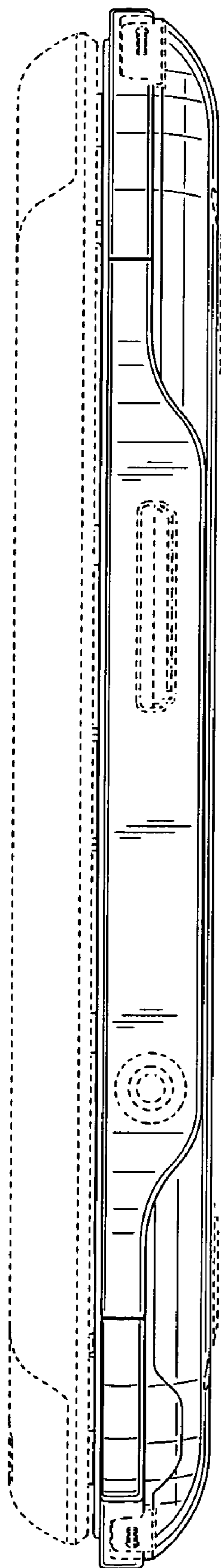


FIG. 16

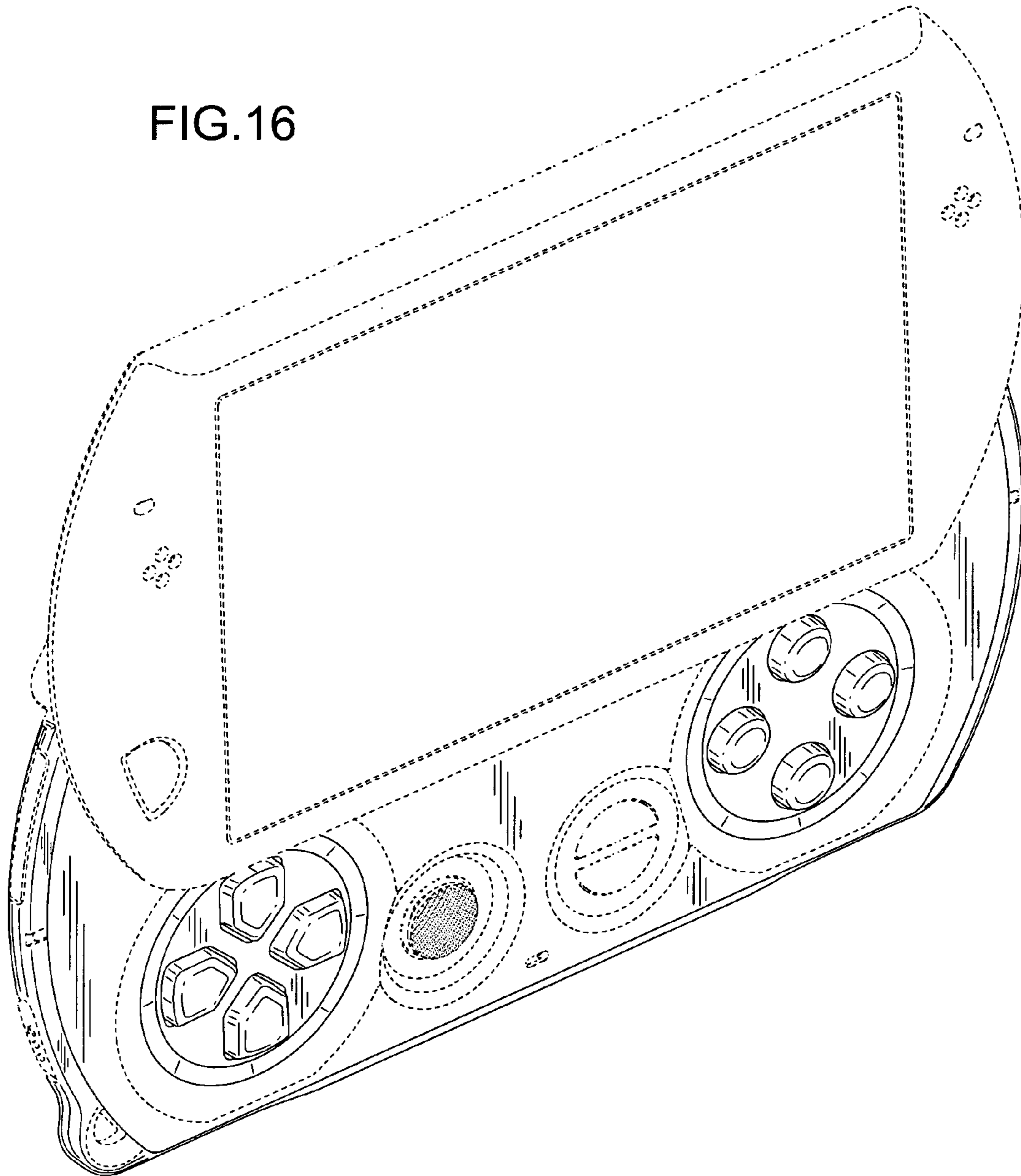


FIG.17

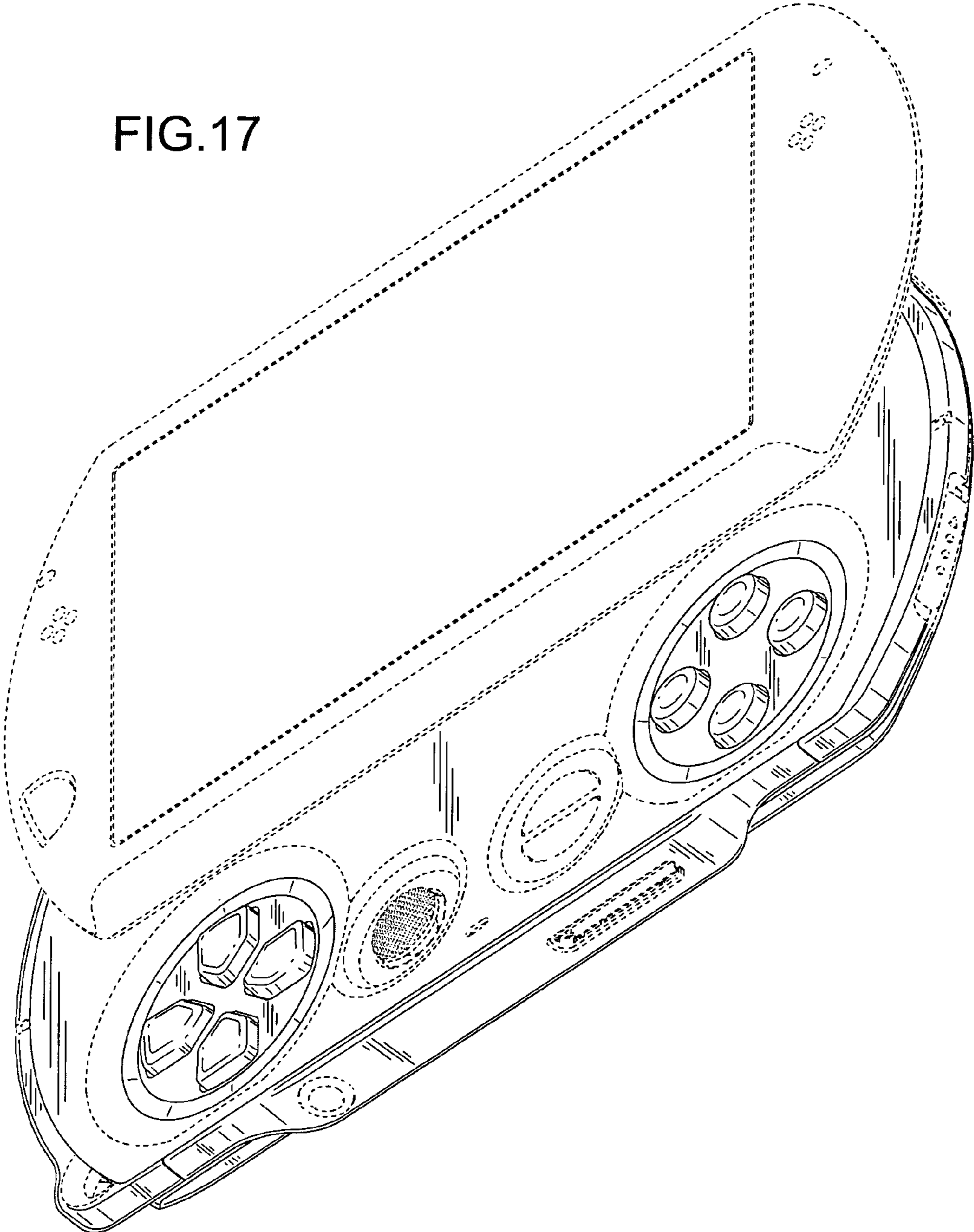


FIG.18

